



US0D1041386S

(12) **United States Design Patent** (10) **Patent No.: US D1,041,386 S**
Melone et al. (45) **Date of Patent: ** *Sep. 10, 2024**

(54) **HELICOPTER TOY**

FOREIGN PATENT DOCUMENTS

(71) Applicant: **LEONARDO S.P.A.**, Rome (IT)

EP 2409917 A1 1/2012
EP 2878536 A1 6/2015

(72) Inventors: **Stefano Melone**, Samarate (IT);
Gabriele Campanardi, Samarate (IT);
Luca Medici, Samarate (IT);
Alessandro Scandroglio, Samarate (IT);
Riccardo Bianco Mengotti, Samarate (IT)

(Continued)

OTHER PUBLICATIONS

First helicopter service contract for U.S. offshore wind by Kirk Moore. dated Apr. 5, 2022. found online [Aug. 10, 2022] <https://www.workboat.com/wind/first-helicopter-service-contract-for-u-s-offshore-wind>.*

(Continued)

(73) Assignee: **LEONARDO S.P.A.**, Rome (IT)

(*) Notice: This patent is subject to a terminal disclaimer.

Primary Examiner — Marissa J Cash

(74) *Attorney, Agent, or Firm* — Leason Ellis LLP

(**) Term: **15 Years**

(21) Appl. No.: **35/512,933**

(57) **CLAIM**

(22) Filed: **May 18, 2021**

The ornamental design for a helicopter toy, as shown and described.

(80) **Hague Agreement Data**

Int. Filing Date: **May 18, 2021**

Int. Reg. No.: **DM/214939**

Int. Reg. Date: **May 18, 2021**

Int. Reg. Pub. Date: **Nov. 19, 2021**

DESCRIPTION

(51) **LOC (14) Cl.** **12-07**

(52) **U.S. Cl.**
USPC **D12/326**

(58) **Field of Classification Search**
USPC D12/1-4, 16.1, 319, 321, 323, 324-336,
D12/338-342, 344; D21/436, 439, 440,
D21/443, 447

- 1. Helicopter toy
- 2. Helicopter toy
- 1.1 : Perspective
- 1.2 : Front
- 1.3 : Side view
- 1.4 : Rear view
- 1.5 : Side view
- 1.6 : Top
- 1.7 : Bottom
- 2.1 : Perspective
- 2.2 : Front
- 2.3 : Side view
- 2.4 : Rear view
- 2.5 : Side view
- 2.6 : Top
- 2.7 : Bottom

(Continued)

(56) **References Cited**

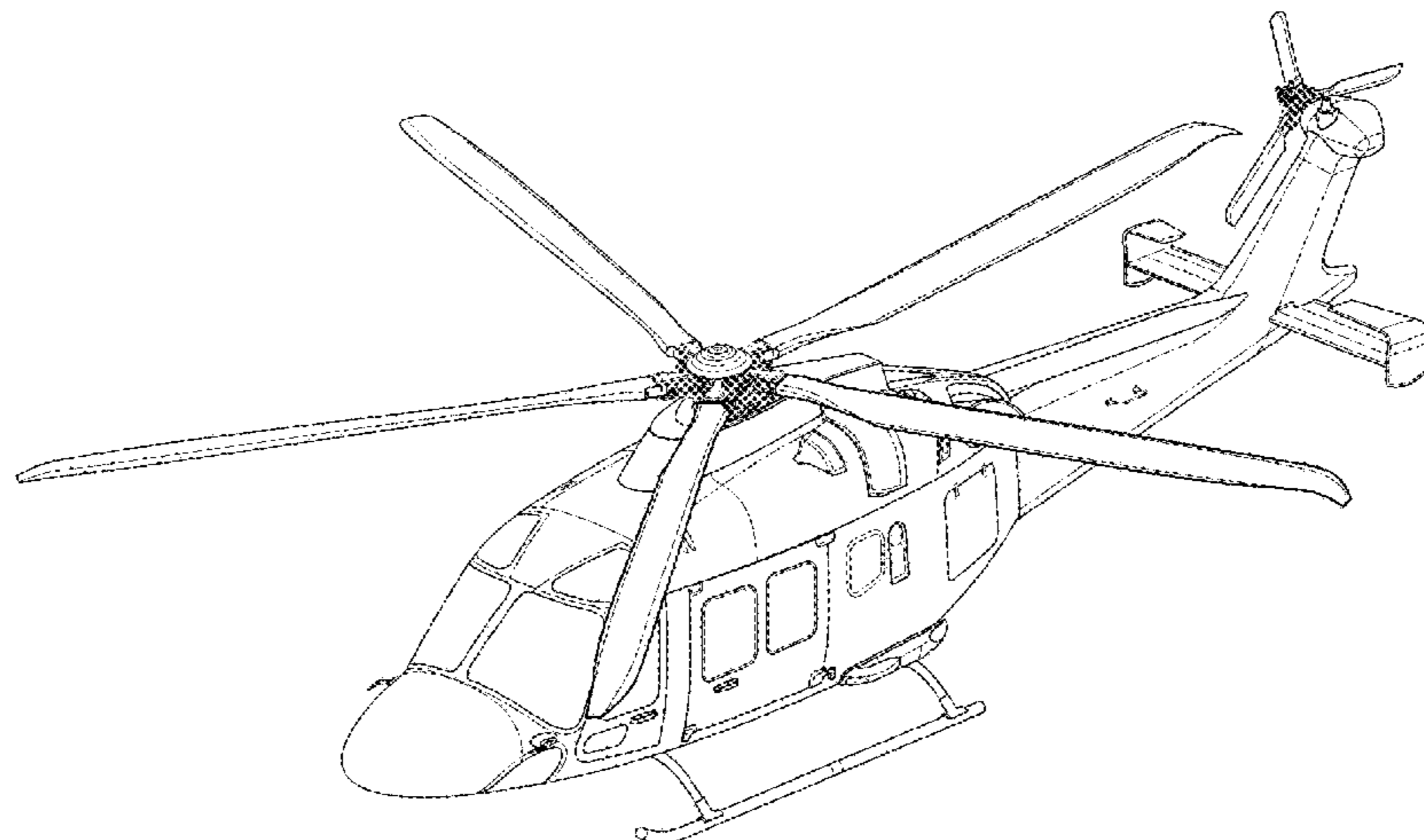
U.S. PATENT DOCUMENTS

2,353,856 A 7/1944 Shannon
3,047,254 A * 7/1962 Spearman B64C 27/82
244/17.19

The translucent gray overlay is provided to represent portions of the Helicopter that are disclaimed. The underlying

(Continued)

(Continued)



mechanical parts and the translucent gray overlay itself form no part of the claimed design.

1 Claim, 14 Drawing Sheets

(58) Field of Classification Search

CPC B64B 1/60; B64B 1/22; B64B 1/20; B64B 1/34; B64B 1/10; B64C 27/04; B64C 2027/82; B64C 23/06

See application file for complete search history.

(56) References Cited

U.S. PATENT DOCUMENTS

| | | | | | | |
|-----------|---|---|---------|-----------------|-------|--------------------------|
| D196,016 | S | * | 8/1963 | Ballauer et al. | | D12/327 |
| D201,934 | S | * | 8/1965 | Graham | | D21/442 |
| D206,734 | S | * | 1/1967 | Kesling | | D12/327 |
| 3,583,659 | A | | 6/1971 | Lermusiaux | | |
| D239,710 | S | * | 4/1976 | Garrison | | D12/327 |
| D271,390 | S | * | 11/1983 | Schramm | | D12/327 |
| D278,227 | S | * | 4/1985 | Johnston, Jr. | | D12/327 |
| D290,596 | S | * | 6/1987 | Schramm | | D12/327 |
| D332,078 | S | * | 12/1992 | Shallene | | D12/327 |
| 5,217,183 | A | * | 6/1993 | Liautaud | | B64C 25/52 244/108 |
| 5,240,204 | A | * | 8/1993 | Kunz | | B64C 27/10 416/129 |
| 5,240,205 | A | * | 8/1993 | Allongue | | B64C 27/82 244/17.19 |
| 5,242,130 | A | * | 9/1993 | Mouille | | B64C 27/001 244/17.27 |
| 5,251,847 | A | * | 10/1993 | Guimbal | | B64C 27/82 244/17.19 |
| D357,894 | S | * | 5/1995 | Arnold | | D12/327 |
| D363,054 | S | * | 10/1995 | Taylor | | D12/326 |
| D375,077 | S | * | 10/1996 | Taylor | | D12/327 |
| D425,853 | S | * | 5/2000 | Caporaletti | | D12/327 |

| | | | | | | |
|--------------|----|---|---------|----------------|-------|-------------------------|
| D580,845 | S | * | 11/2008 | Van de Rostyne | | D12/326 |
| D592,583 | S | * | 5/2009 | Brody | | D12/326 |
| D665,720 | S | * | 8/2012 | Stille | | D12/326 |
| D687,364 | S | * | 8/2013 | Mitchell | | D12/326 |
| D692,797 | S | * | 11/2013 | Ohnishi | | D12/326 |
| D695,205 | S | * | 12/2013 | Guzman | | D21/442 |
| D699,153 | S | * | 2/2014 | Birkner | | D21/442 |
| 8,657,226 | B1 | | 2/2014 | McGinnis | | |
| D708,273 | S | * | 7/2014 | Kouyoumjian | | D21/442 |
| 8,985,500 | B2 | | 3/2015 | Borie et al. | | |
| D928,071 | S | * | 8/2021 | Löwenstein | | D12/327 |
| 2012/0211608 | A1 | * | 8/2012 | Pancotti | | B64C 29/0033 244/7 C |
| 2019/0210708 | A1 | * | 7/2019 | Gorgoglione | | B64C 1/32 |
| 2019/0375498 | A1 | * | 12/2019 | Sinusas | | B64C 5/12 |
| 2020/0346737 | A1 | * | 11/2020 | Sinusas | | B64C 5/02 |
| 2021/0053674 | A1 | * | 2/2021 | Carr | | B29C 70/52 |
| 2022/0056917 | A1 | * | 2/2022 | Patricelli | | B64C 27/04 |
| 2022/0169398 | A1 | * | 6/2022 | Ouellet | | B64D 27/24 |

FOREIGN PATENT DOCUMENTS

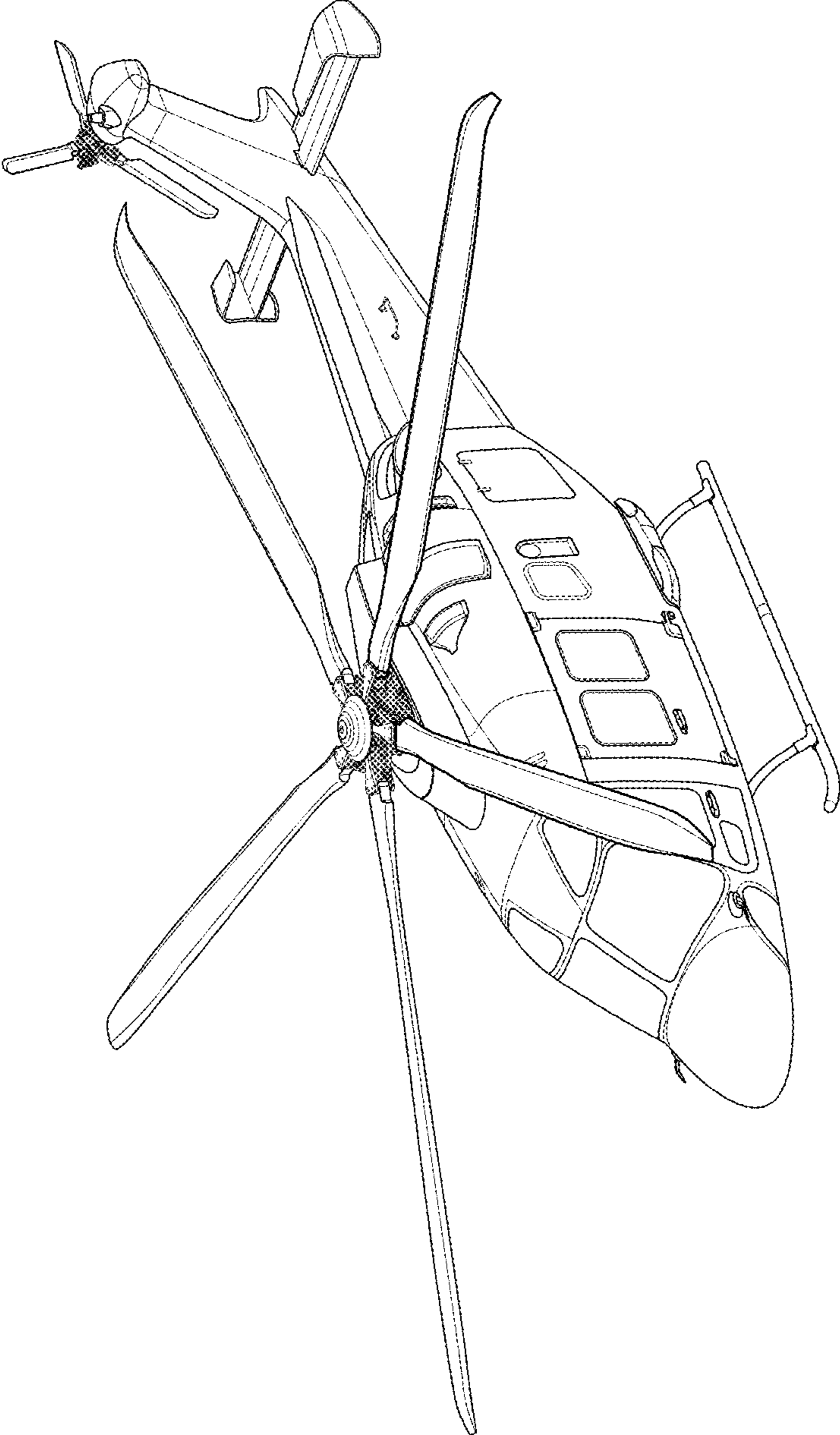
| | | | |
|----|--------|---|--------|
| GB | 606420 | A | 8/1948 |
| NL | 16887 | C | 9/1927 |

OTHER PUBLICATIONS

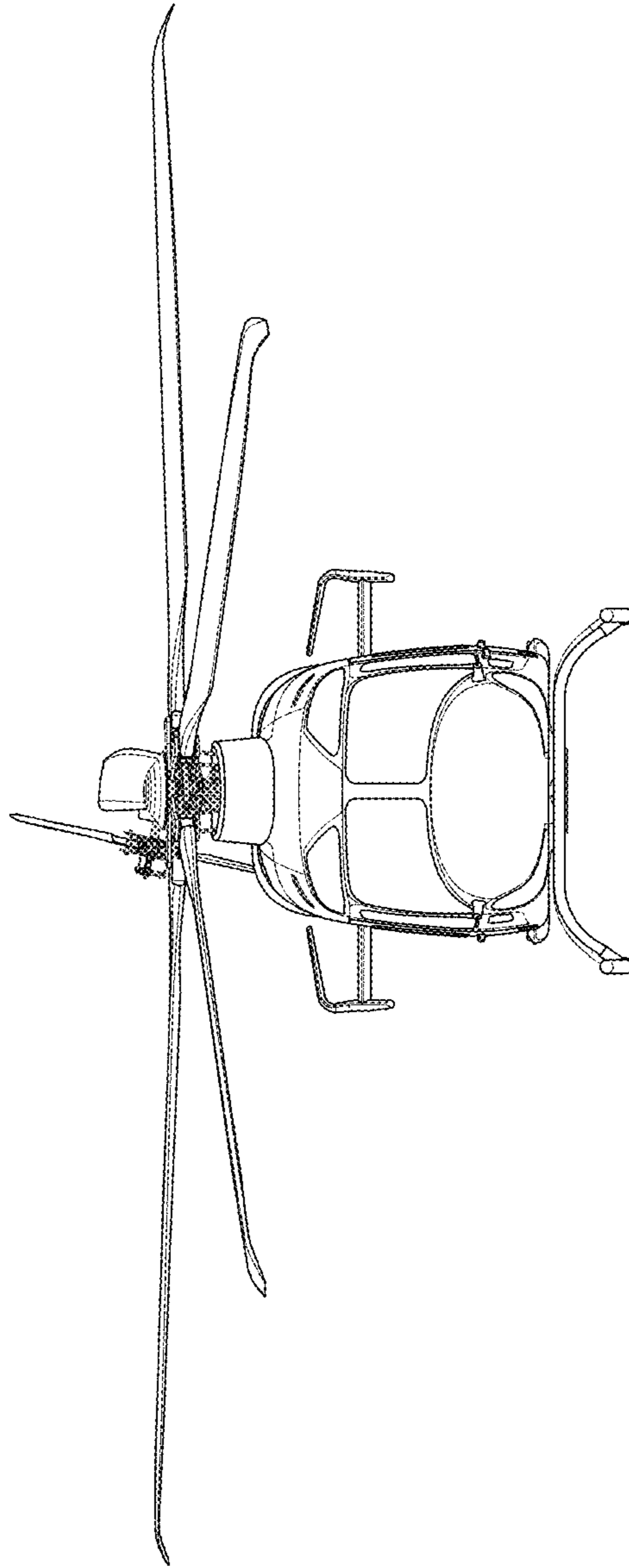
European Search Report in EP Application No. 20164164, mailed Aug. 20, 2020 (2 pages).
 European Search Report in EP Application No. 13400035, mailed Apr. 7, 2014 (3 pages).
 European Search Report in EP Application No. 19219521, mailed May 28, 2020 (2 pages).
 Moore, Kirk, "First helicopter service contract for U.S. offshore wind", Apr. 5, 2022, Workboat; from Internet <https://www.workboat.com/wind/first-helicopter-service-contract-for-u-s-offshore-wind#:~:text=Offshore%20wind%20developers%20%C3%98rsted%20and,the%20U.S.%20offshore%20wind%20industry>.

* cited by examiner

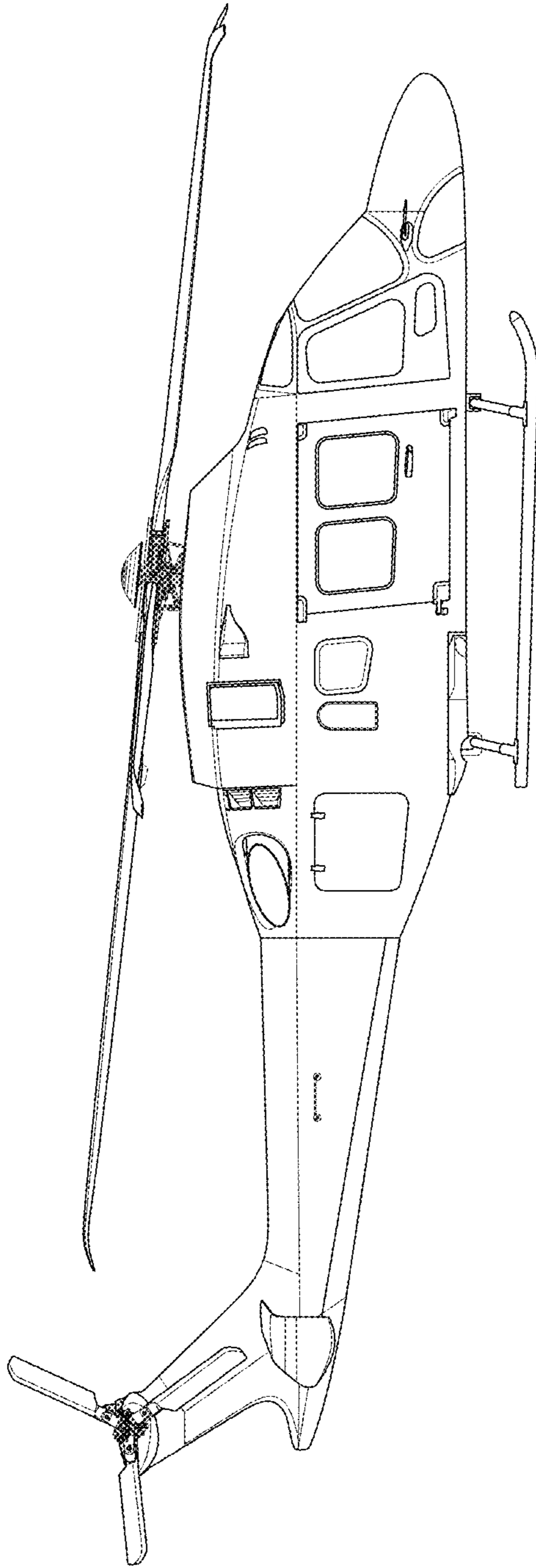
1.1



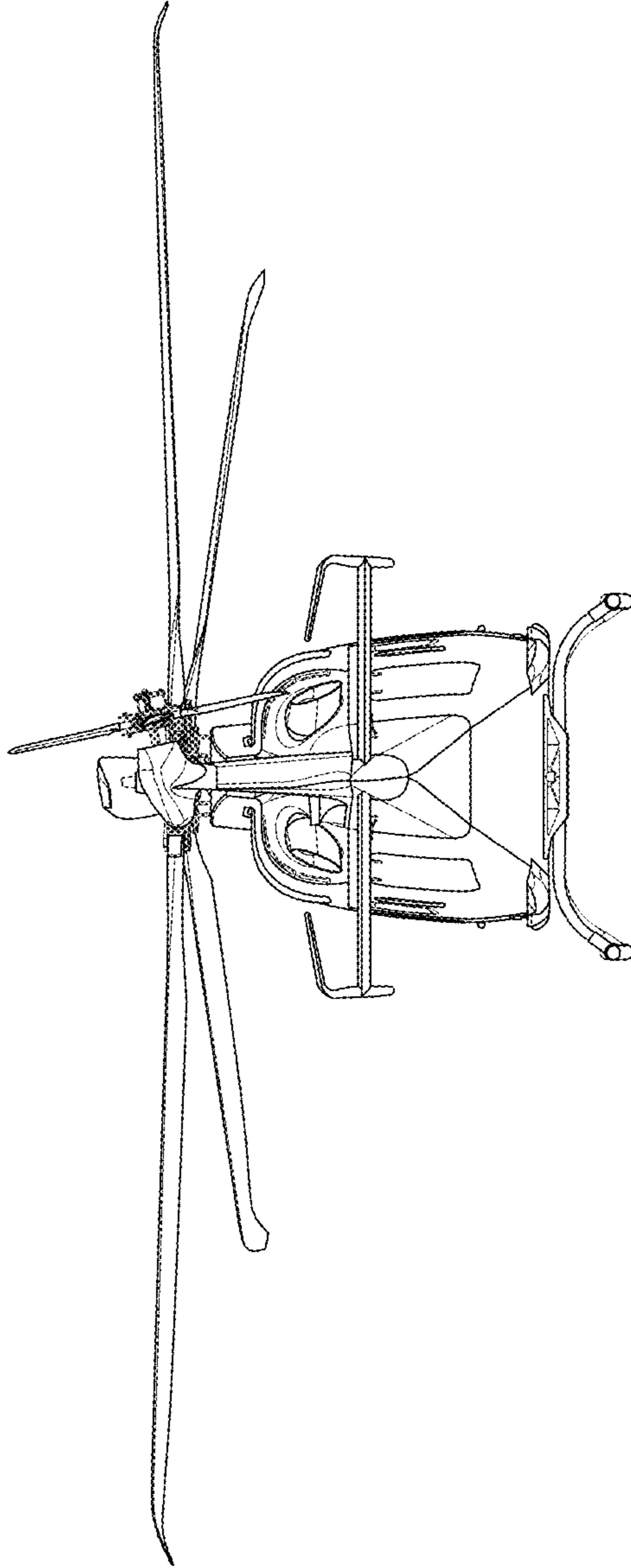
1.2



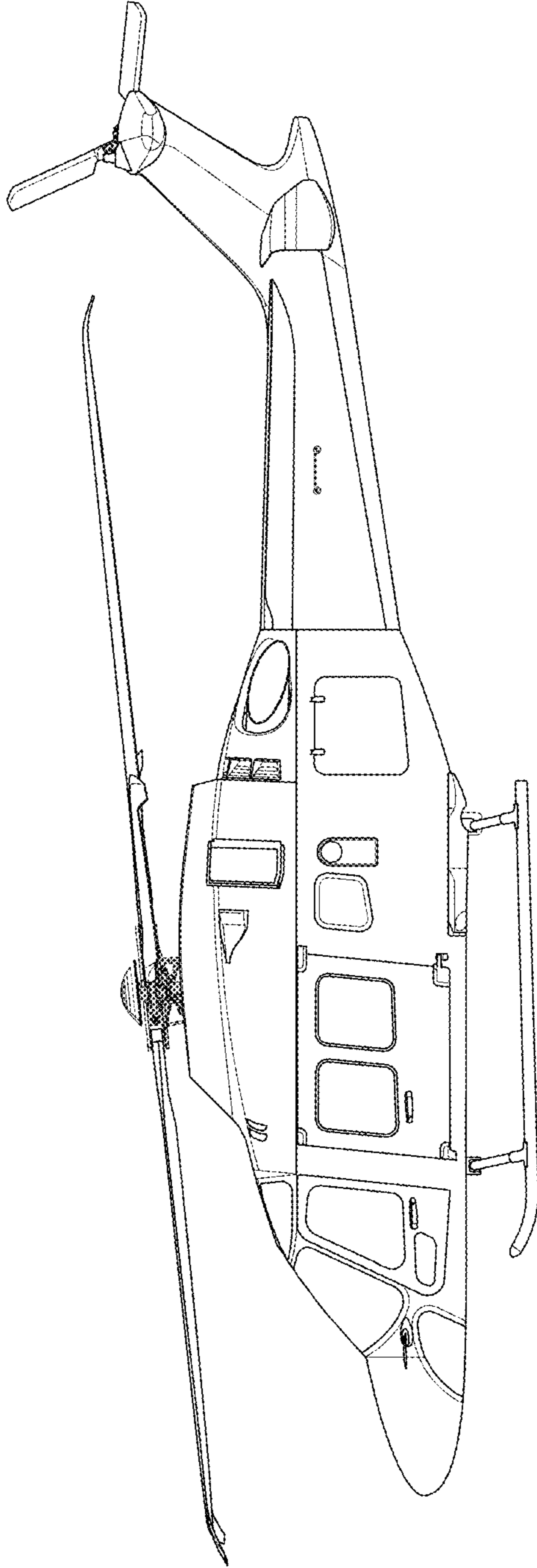
1.3



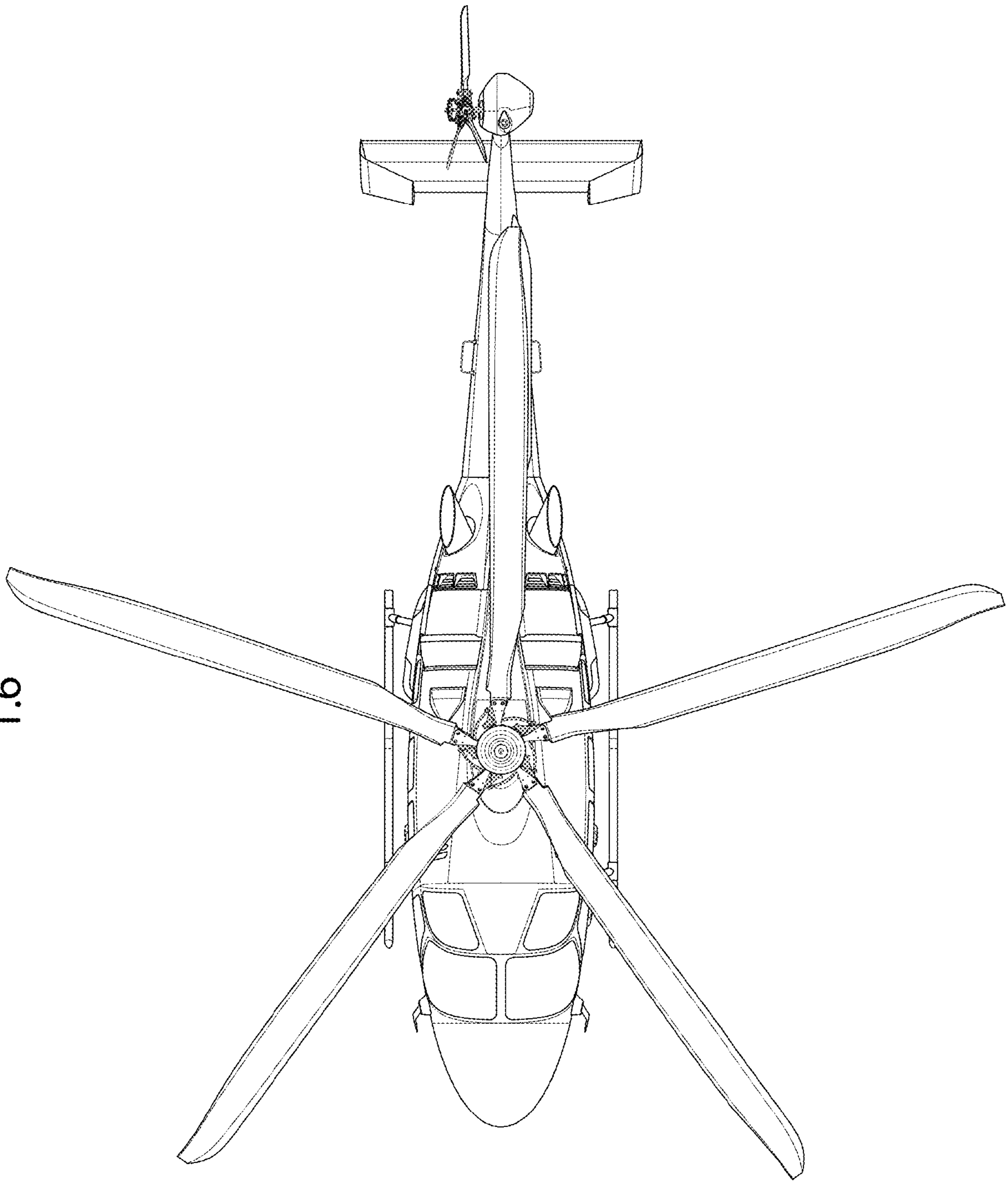
1.4



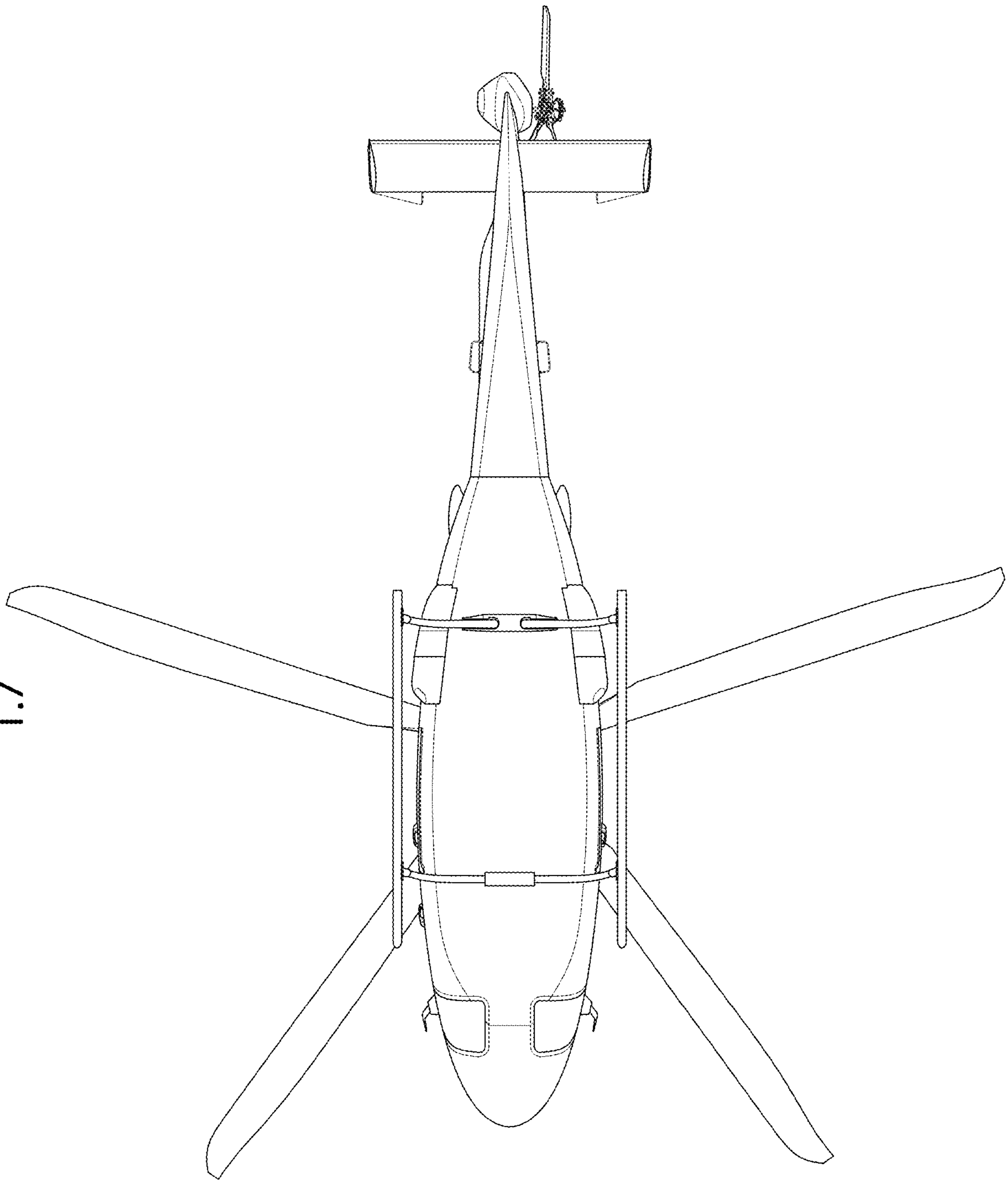
1.5



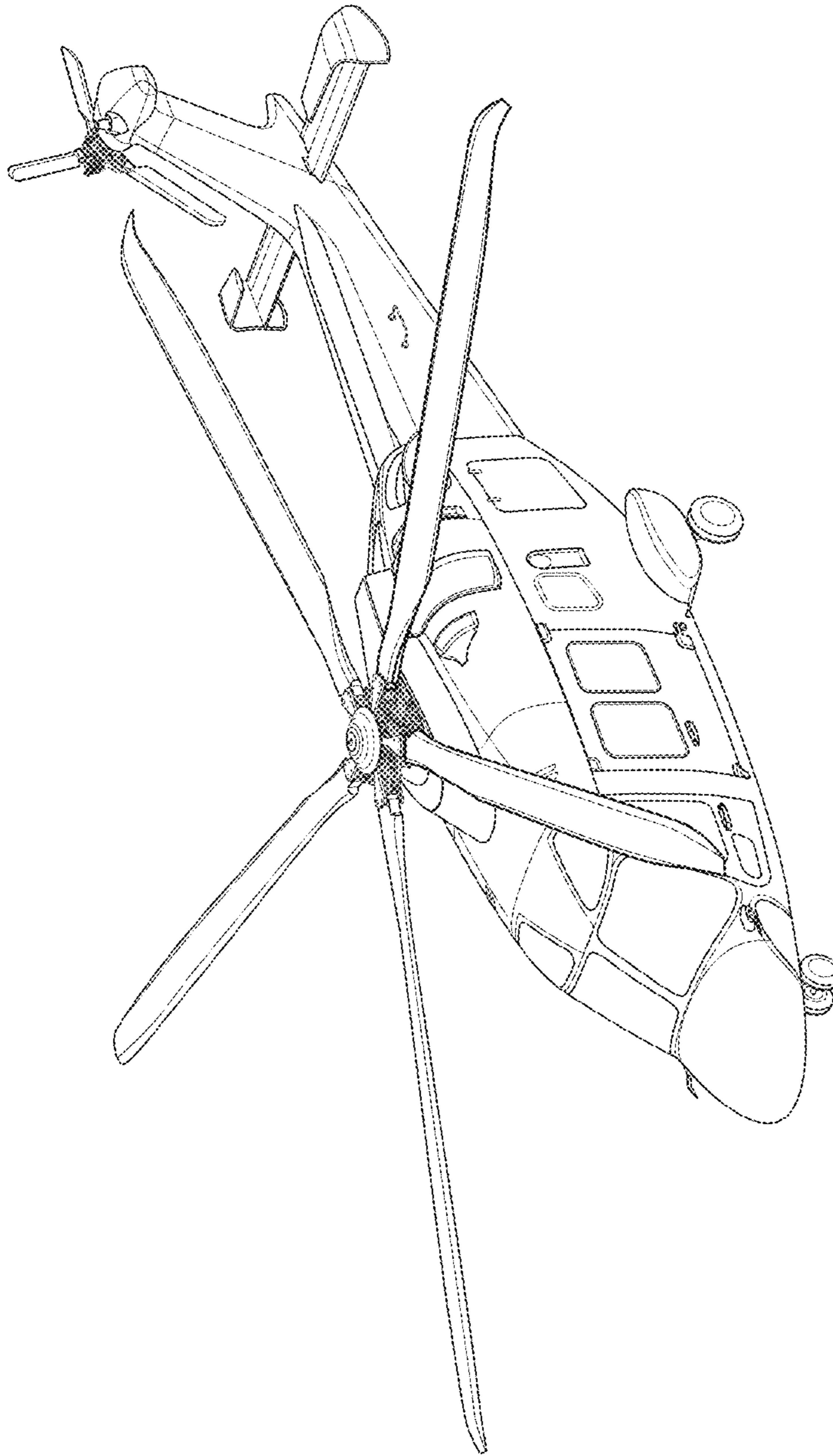
1.6



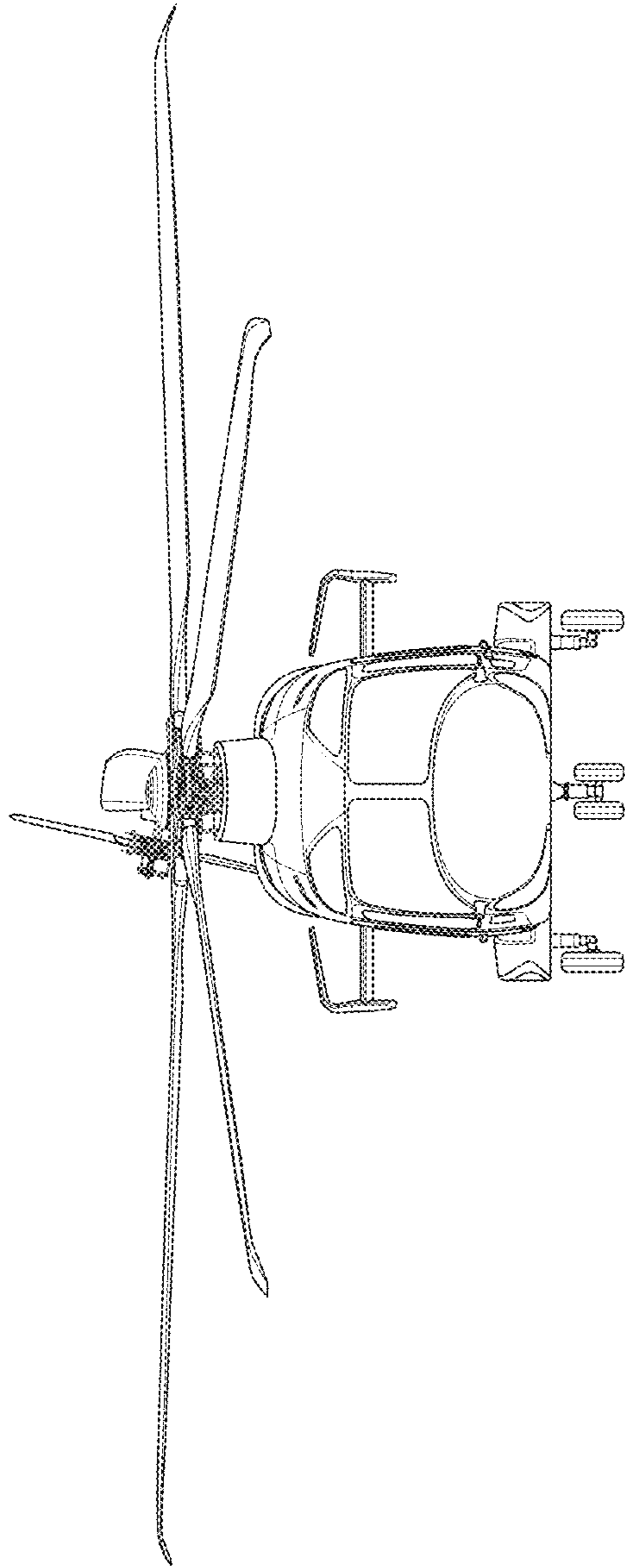
1.7



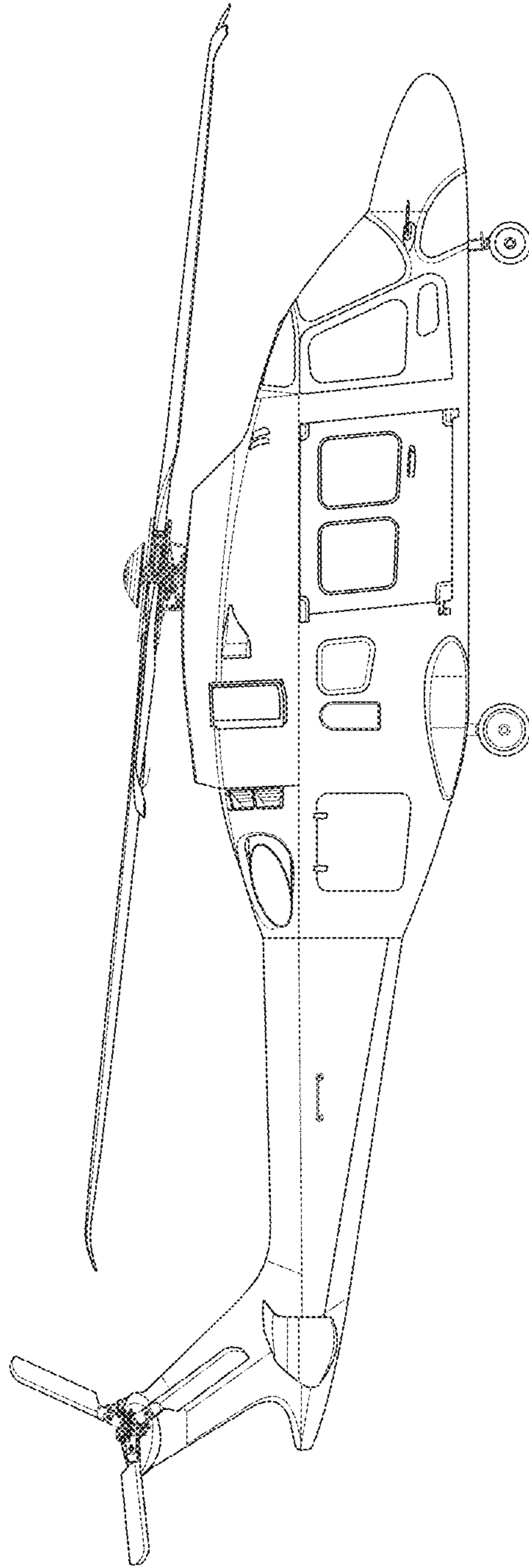
2.1



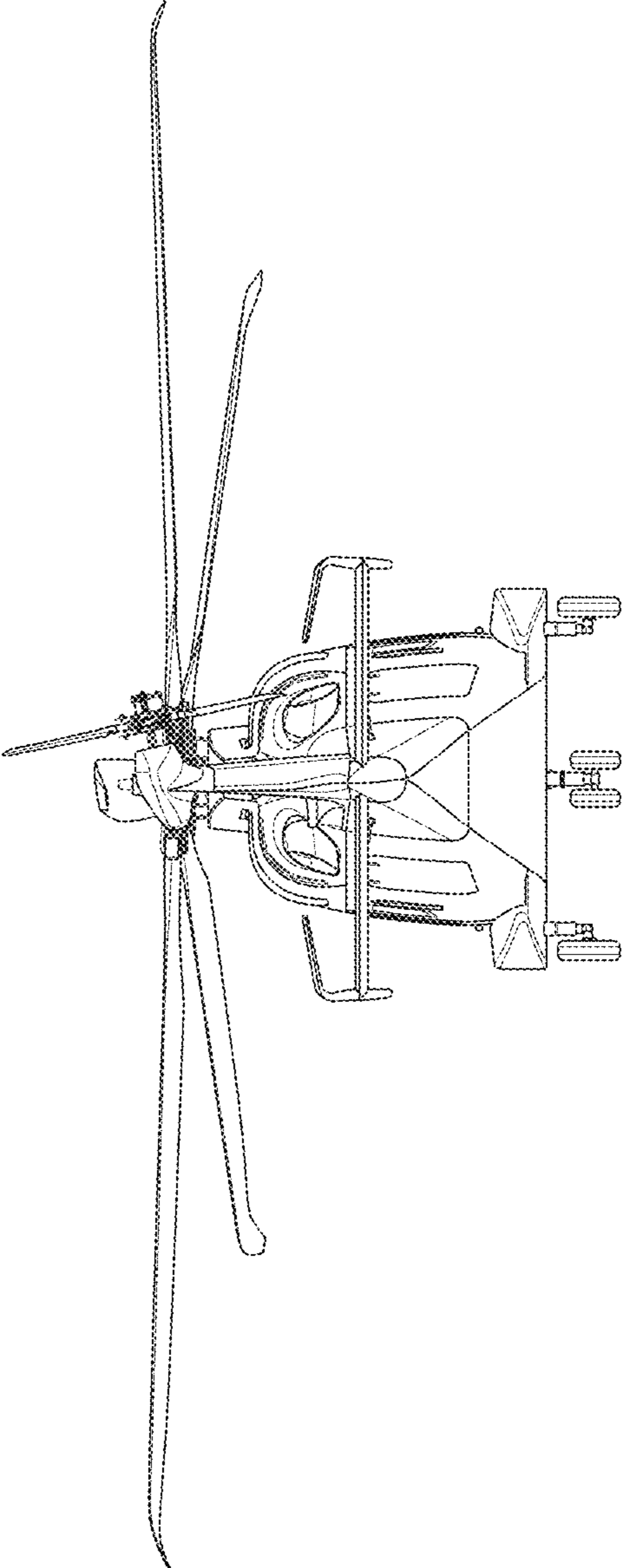
2.2



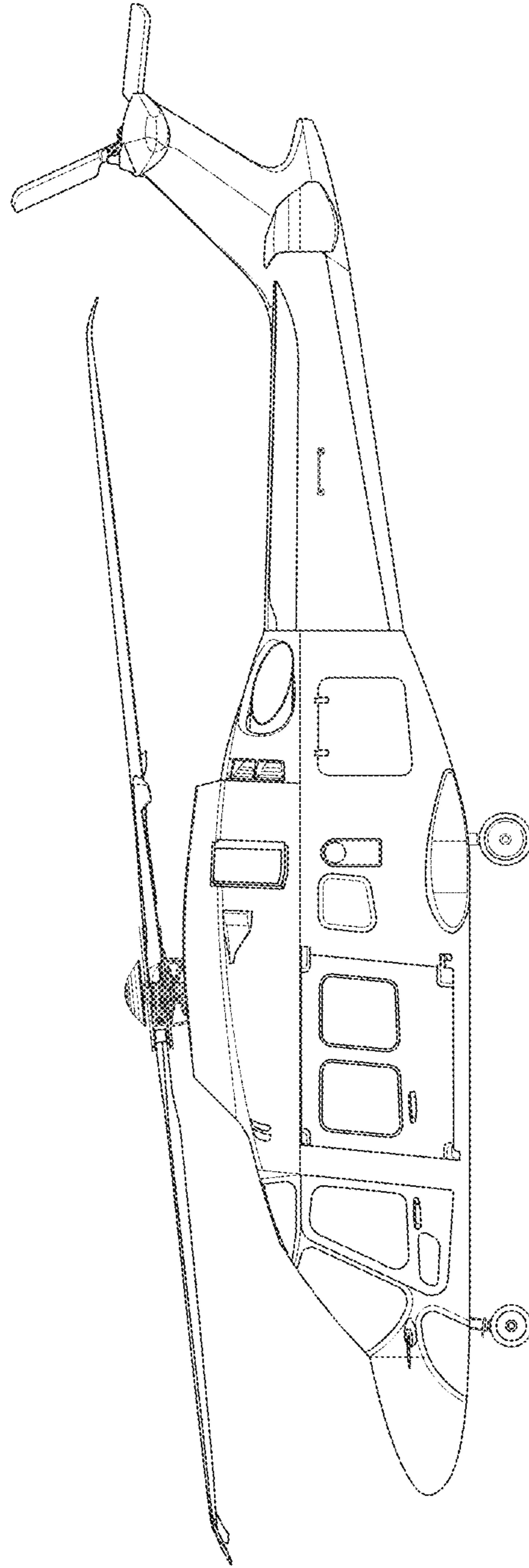
2.3

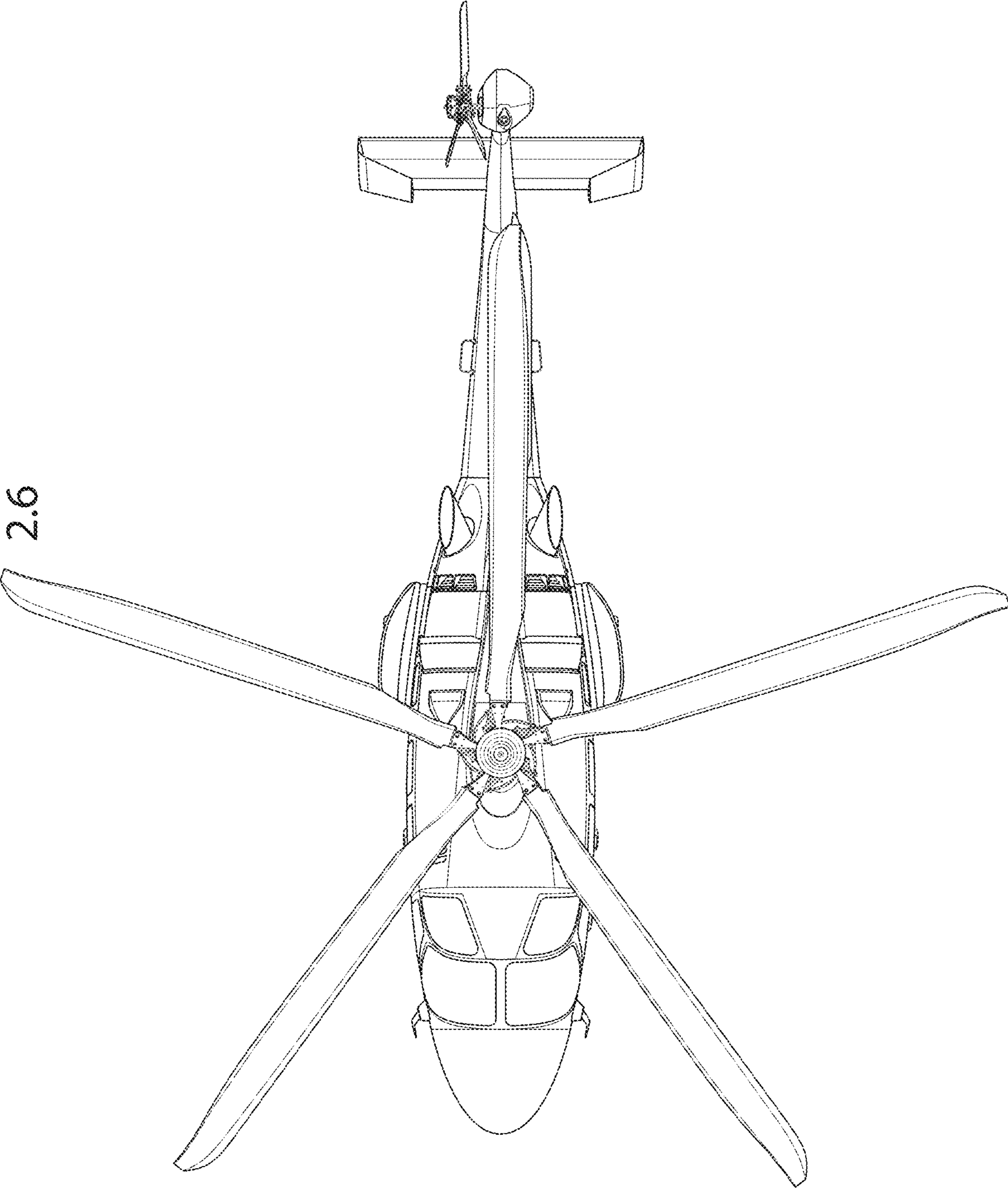


2.4



2.5





2.7

