



US0D1041384S

(12) **United States Design Patent**
Anyanwu

(10) **Patent No.:** **US D1,041,384 S**

(45) **Date of Patent:** **** *Sep. 10, 2024**

- (54) **POLYGONAL WATERCRAFT**
- (71) Applicant: **Magnus Anyanwu**, Toms River, NJ
(US)
- (72) Inventor: **Magnus Anyanwu**, Toms River, NJ
(US)
- (*) Notice: This patent is subject to a terminal disclaimer.
- (**) Term: **15 Years**
- (21) Appl. No.: **29/762,701**
- (22) Filed: **Dec. 17, 2020**

3,968,763 A *	7/1976	Mason	B60V 1/22
				114/67 A
4,489,976 A *	12/1984	Flaherty	B63B 3/185
				114/353
5,730,391 A *	3/1998	Miller, Jr.	B63B 1/20
				244/36
D407,682 S *	4/1999	Mannerfelt	D12/314
D430,098 S *	8/2000	Vuckovis	D12/300
D474,730 S *	5/2003	Flaherty	D12/300
7,458,332 B2 *	12/2008	Wilson	B63B 1/125
				114/288
2011/0030607 A1 *	2/2011	Mannerfelt	B63B 1/18
				114/273

* cited by examiner

Primary Examiner — Cynthia M. Chin

Related U.S. Application Data

- (63) Continuation-in-part of application No. 29/655,929, filed on Jul. 9, 2018, now abandoned.
- (51) **LOC (14) Cl.** **12-06**
- (52) **U.S. Cl.**
USPC **D12/300**
- (58) **Field of Classification Search**
USPC D12/300, 311, 312, 313, 314, 317;
D21/542
CPC .. B63B 1/20; B63B 1/22; B63B 1/201; B63B
1/32; B63B 1/322; B63B 2001/325; B63B
3/18
See application file for complete search history.

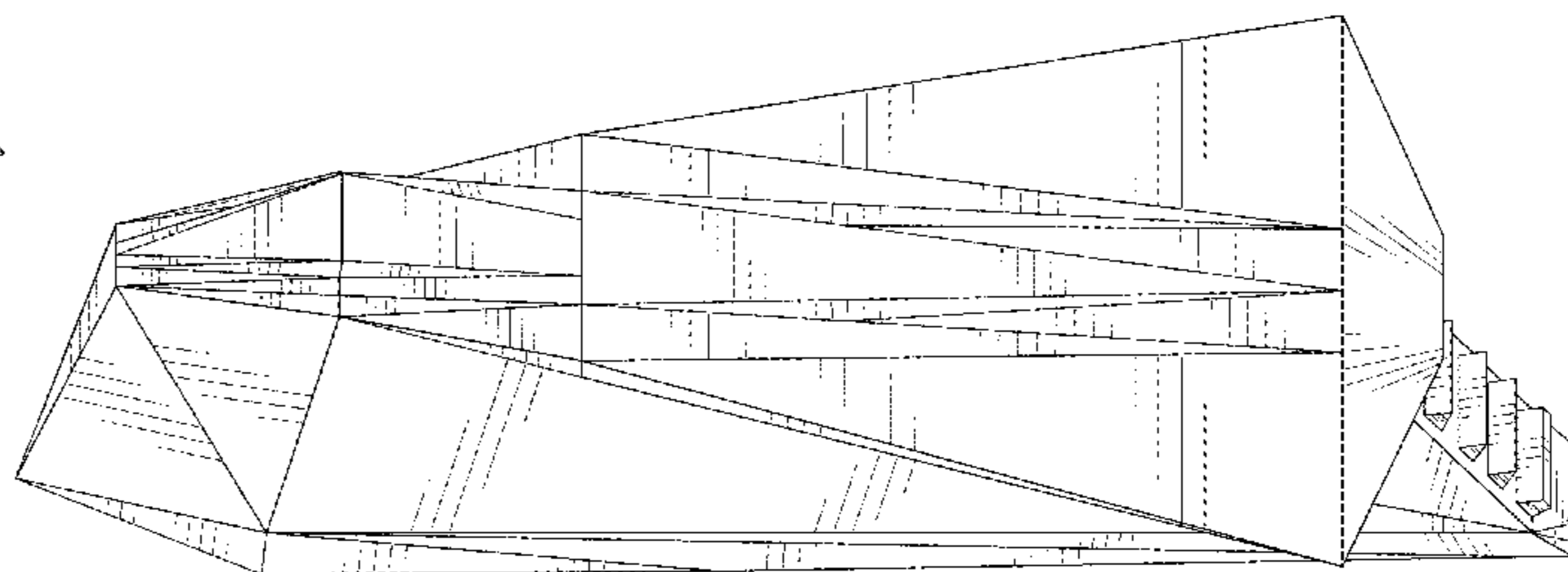
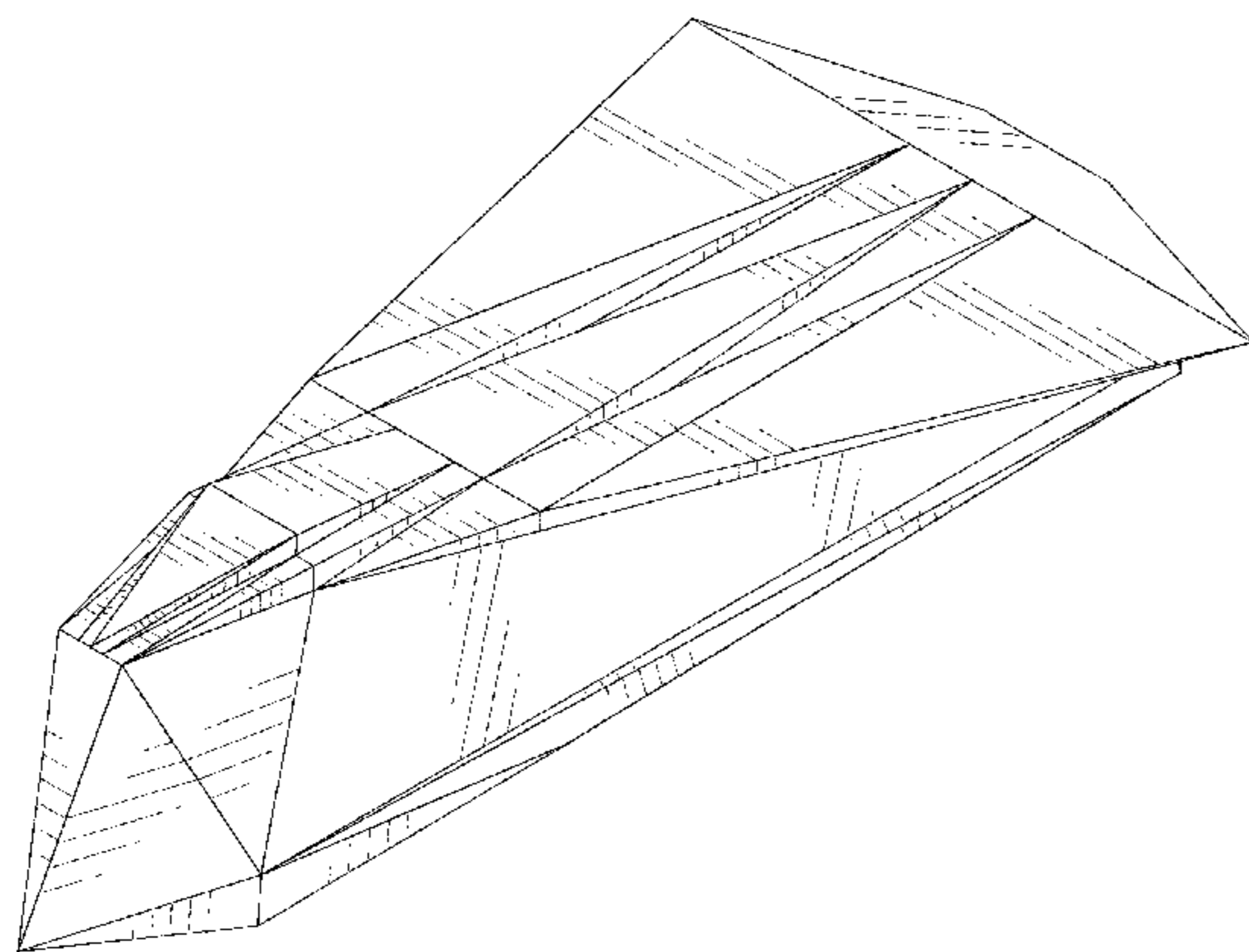
(57) **CLAIM**

The ornamental design for a polygonal watercraft, as shown and described.

DESCRIPTION

FIG. 1 is a perspective view of a polygonal watercraft showing my new design;
 FIG. 2 is another perspective view thereof;
 FIG. 3 is an enlarged front view thereof;
 FIG. 4 is an enlarged rear view thereof;
 FIG. 5 is a top view thereof;
 FIG. 6 is a bottom view thereof;
 FIG. 7 is a right view thereof;
 FIG. 8 is another perspective view; and,
 FIG. 9 is another perspective view thereof.

1 Claim, 9 Drawing Sheets



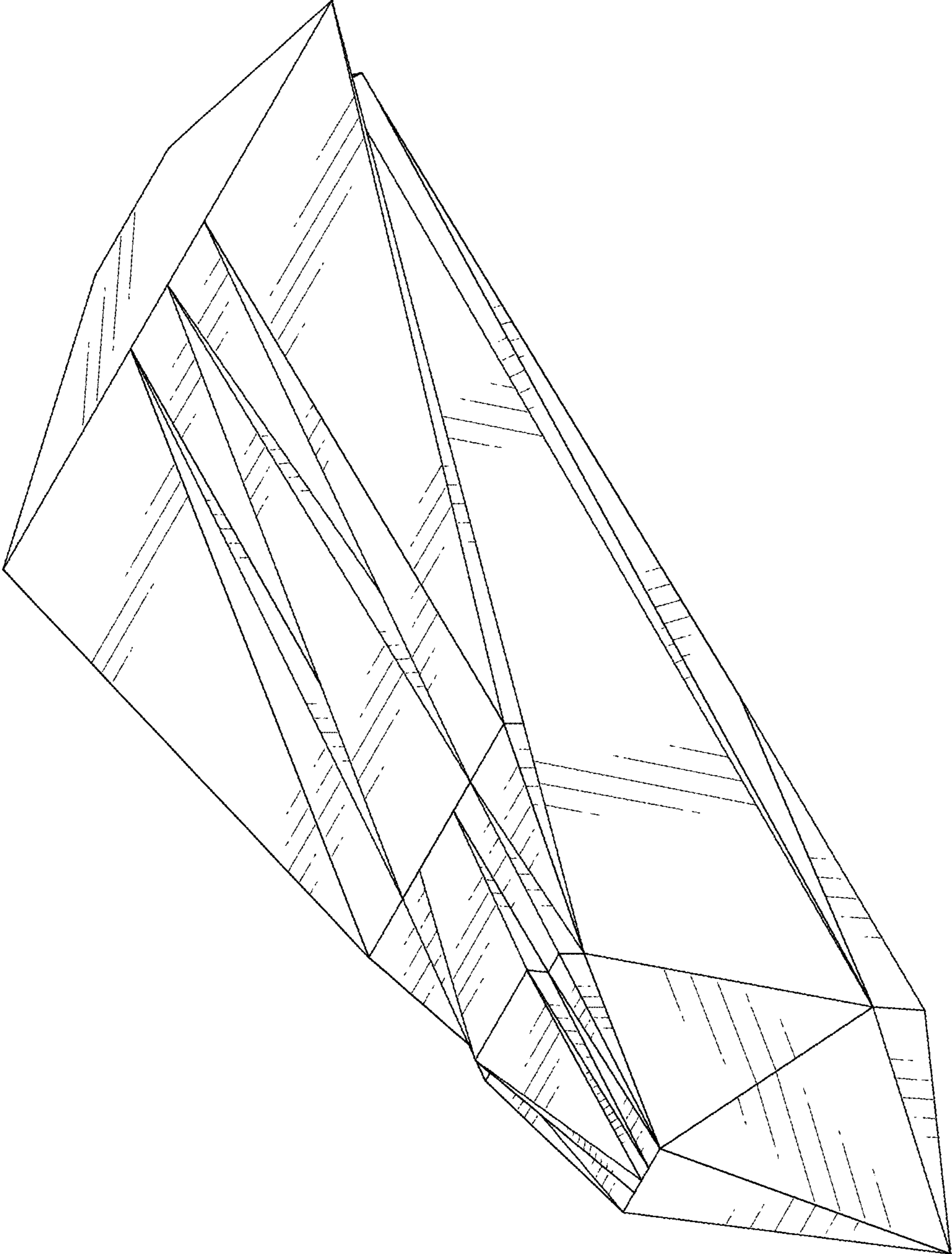


FIG. 1

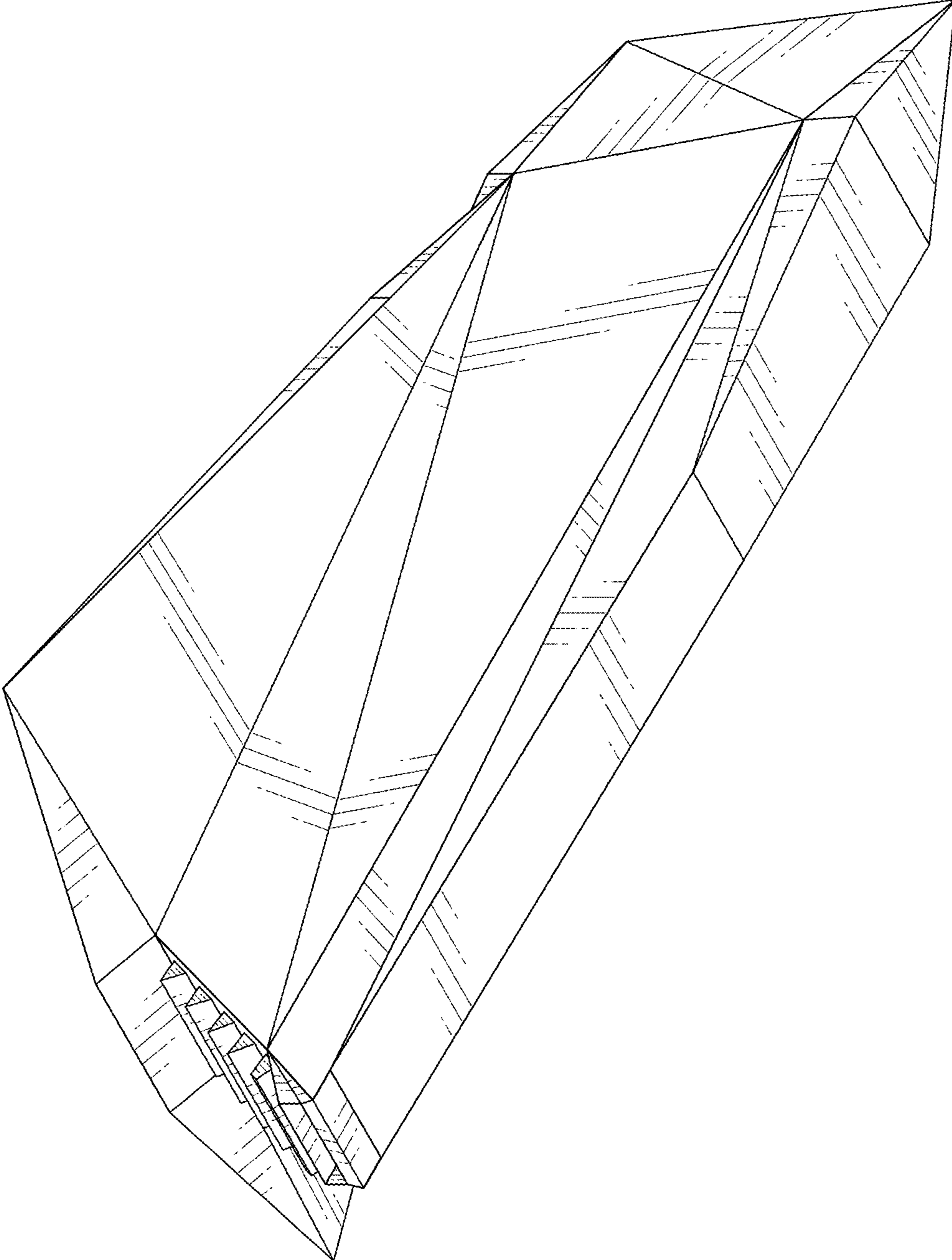


FIG. 2

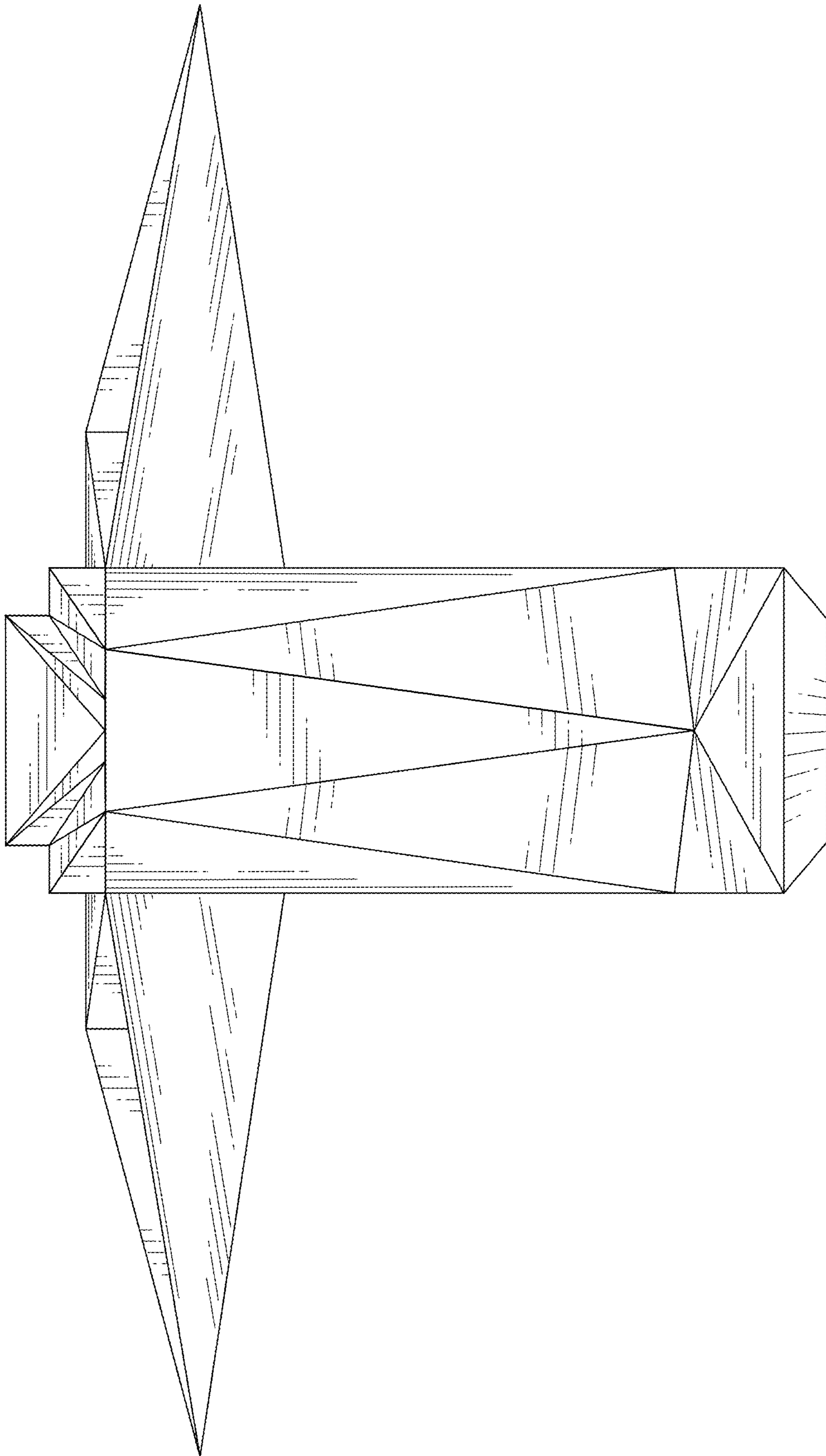


FIG. 3

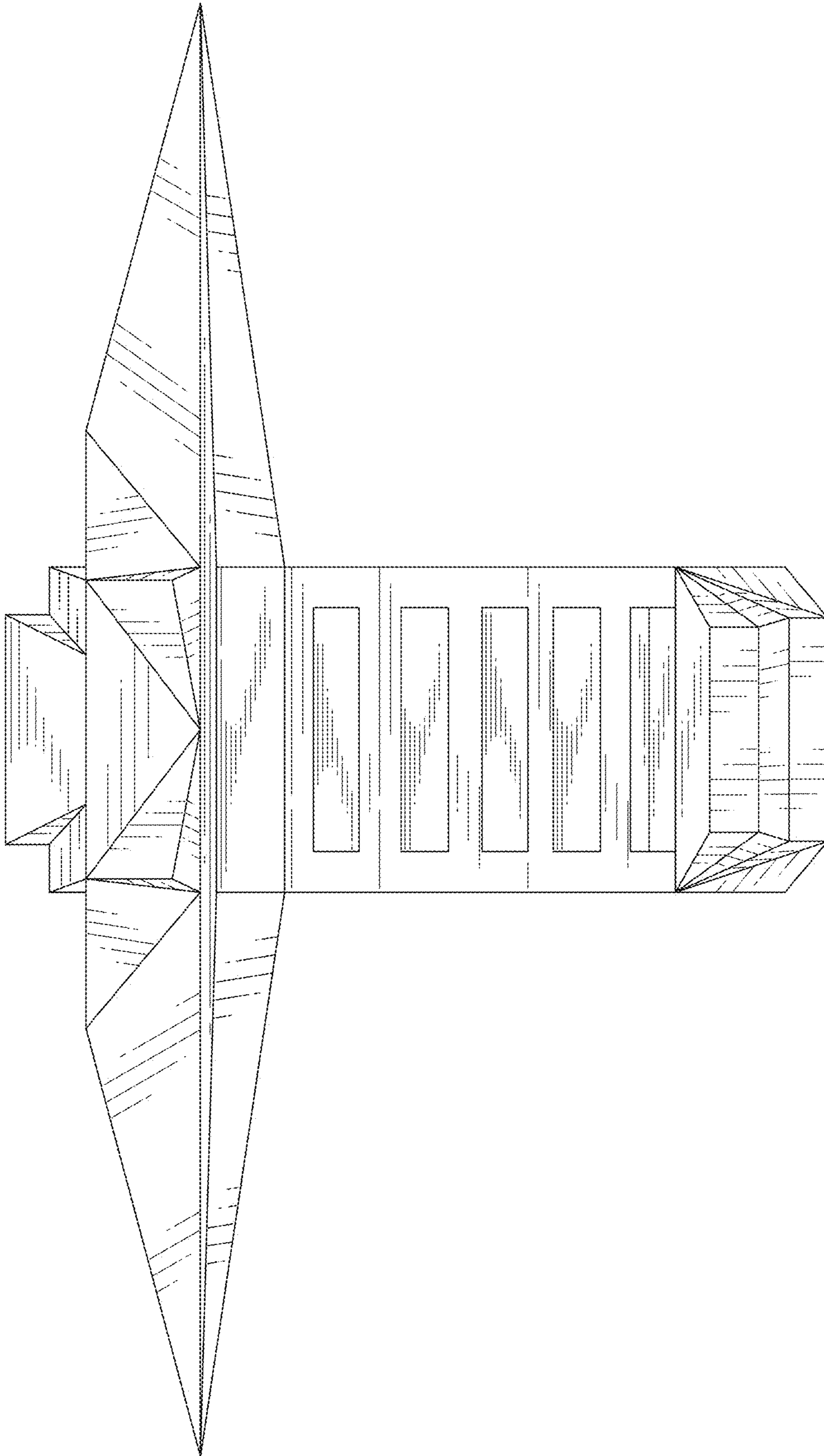


FIG. 4

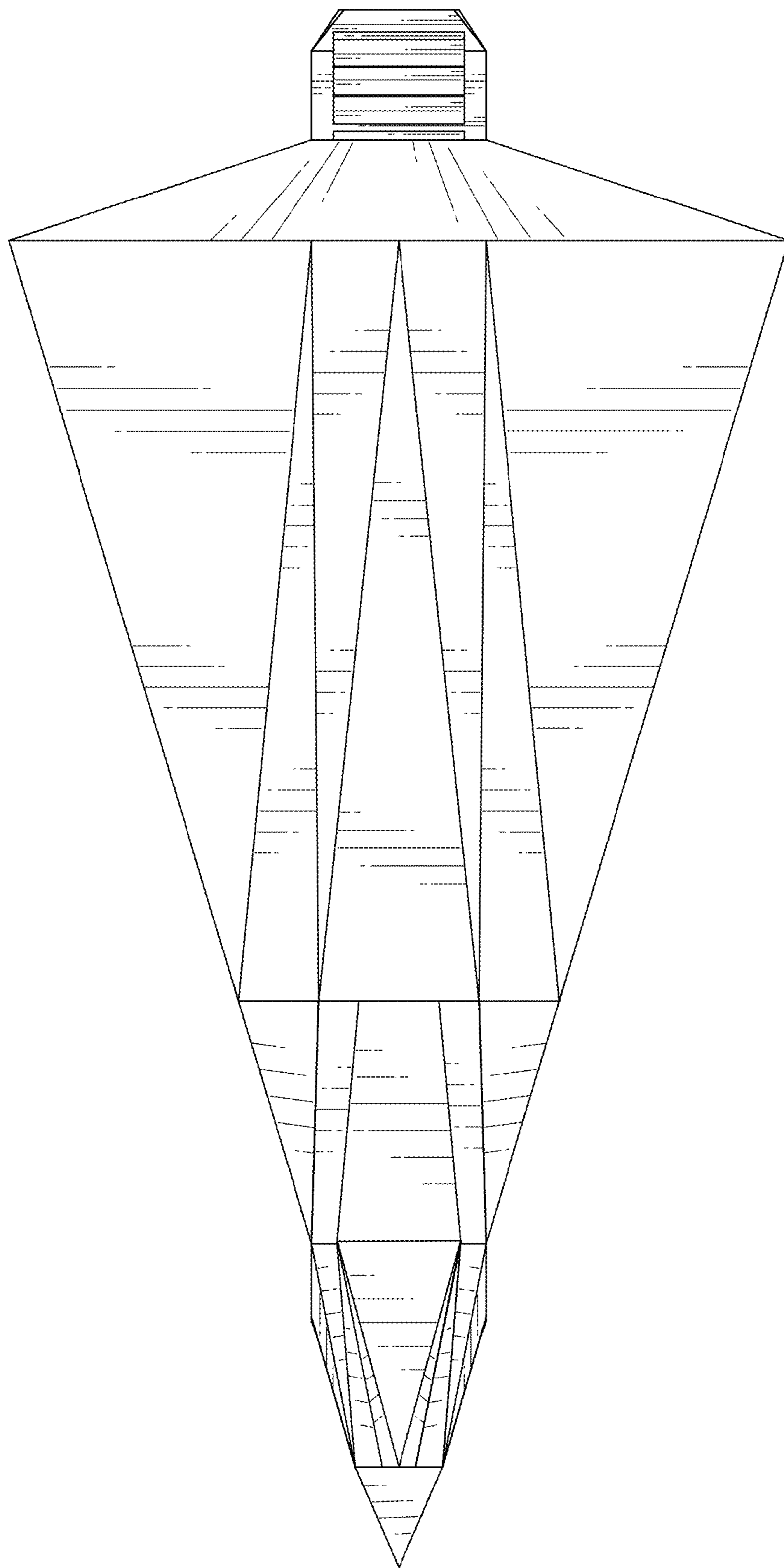


FIG. 5

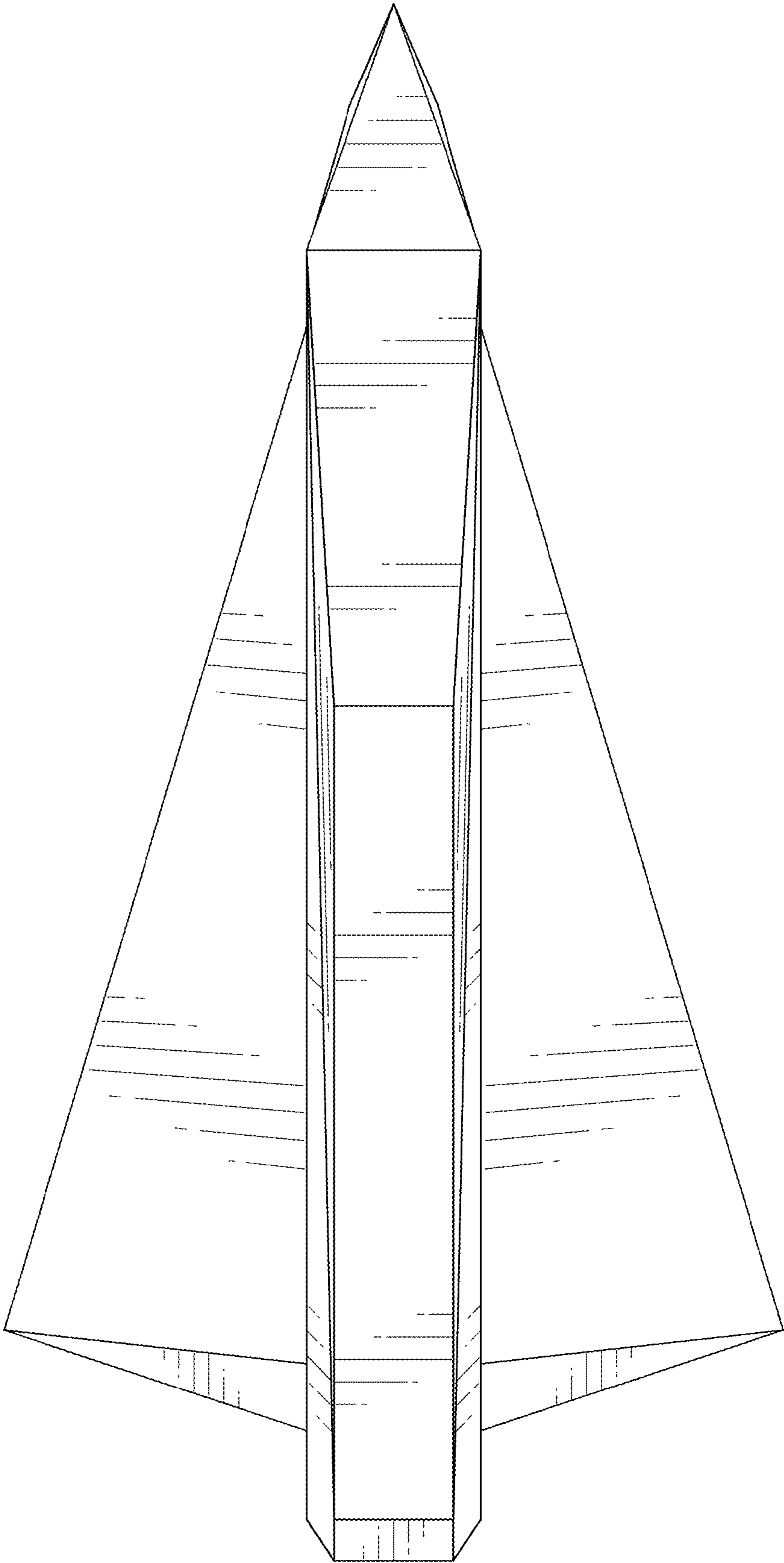


FIG. 6

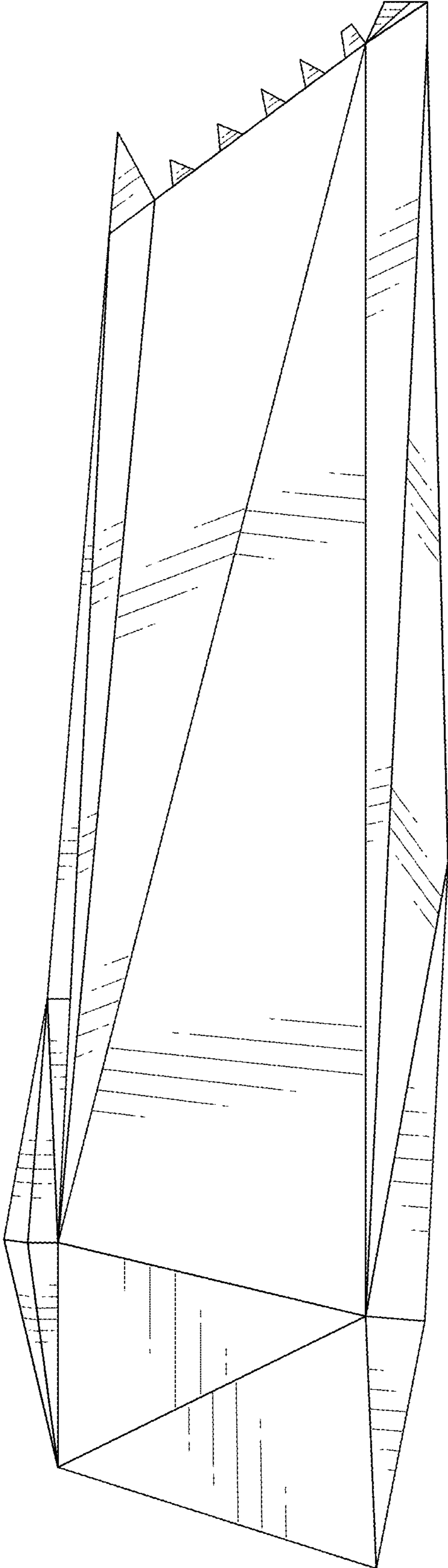


FIG. 7

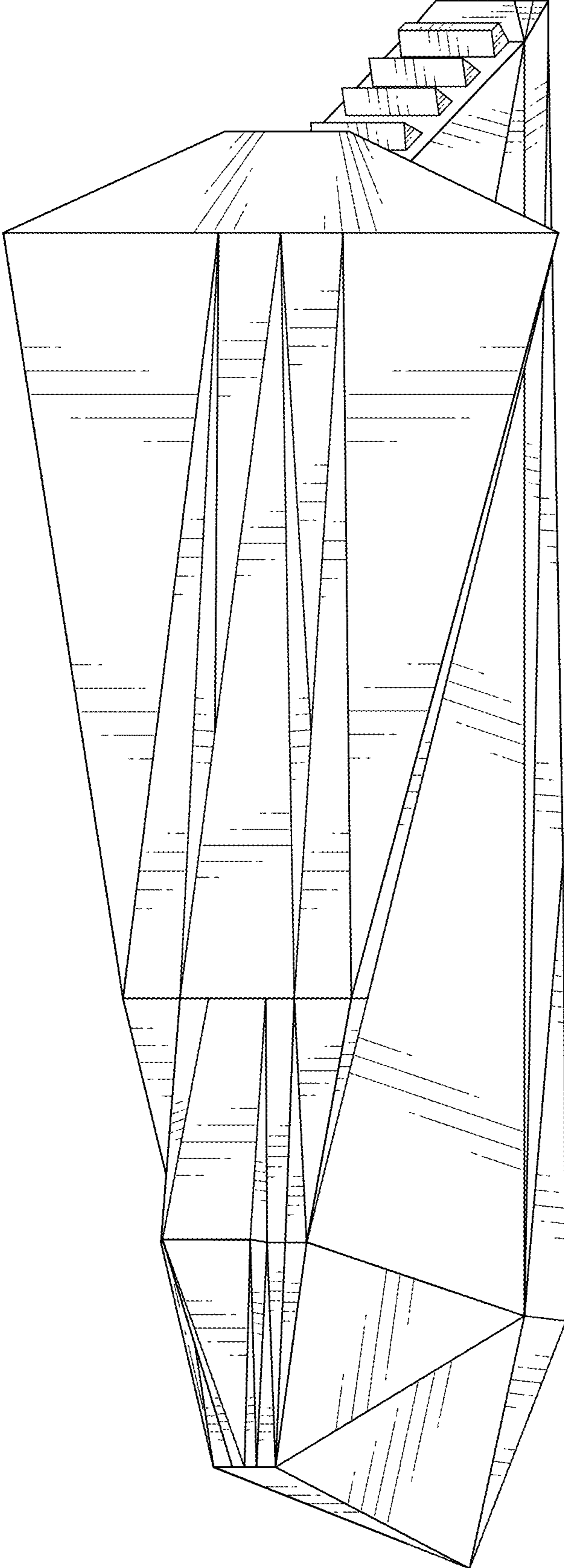


FIG. 8

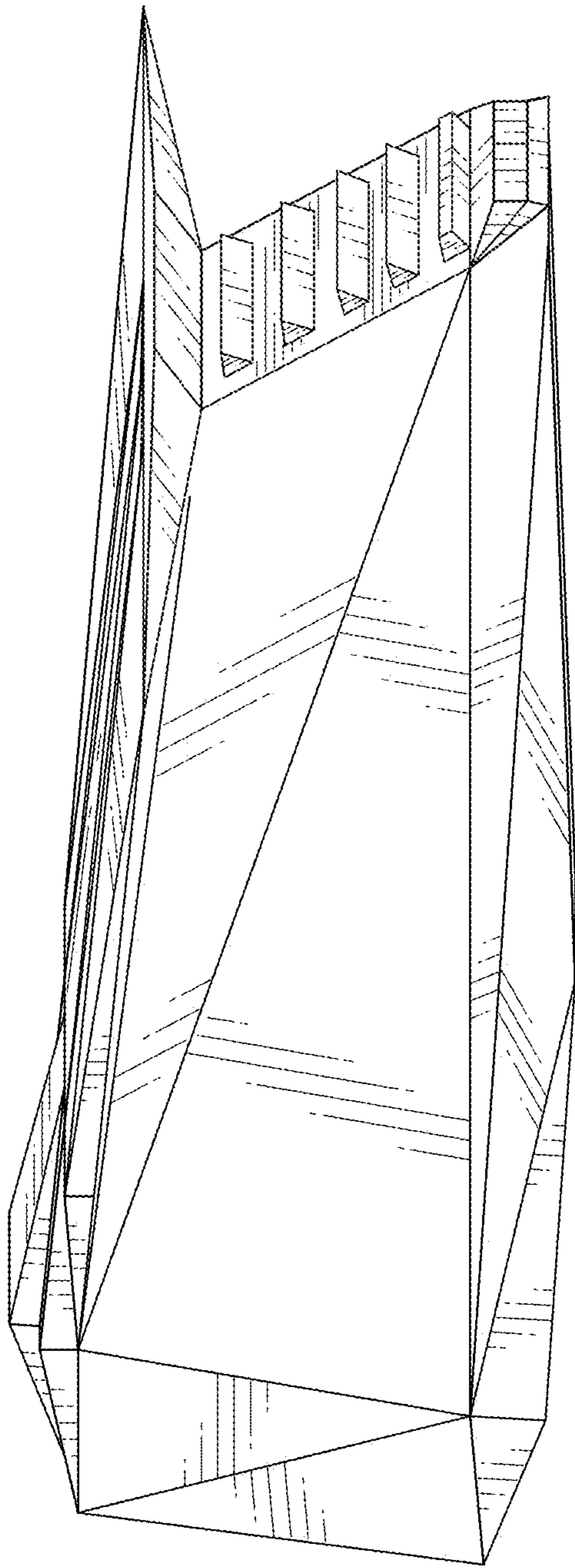


FIG. 9