



US0D1041363S

(12) **United States Design Patent** (10) **Patent No.:** **US D1,041,363 S**  
**Reang et al.** (45) **Date of Patent:** **\*\* Sep. 10, 2024**

(54) **RETRIEVAL HITCH**

(71) Applicant: **Caterpillar Inc.**, Peoria, IL (US)  
(72) Inventors: **David R. Reang**, Chennai (IN); **Bruce Raymond Vahling**, Urbana, IL (US)  
(73) Assignee: **Caterpillar Inc.**, Peoria, IL (US)  
(\*\*) Term: **15 Years**  
(21) Appl. No.: **29/883,492**

(22) Filed: **Jan. 30, 2023**  
(51) **LOC (14) Cl.** ..... **12-16**  
(52) **U.S. Cl.**  
USPC ..... **D12/162**  
(58) **Field of Classification Search**  
USPC ..... D12/162, 101, 102, 103, 104, 105, 106,  
D12/413, 420, 172; D21/599, 561, 552,  
D21/548; D8/330, 331, 323; D13/139.5,  
D13/133, 149, 154  
CPC ..... B60D 1/52; B60D 1/60  
See application file for complete search history.

(56) **References Cited**

**U.S. PATENT DOCUMENTS**

D148,269 S \* 1/1948 Askins ..... D12/162  
3,049,817 A 8/1962 MacDonald  
D418,094 S \* 12/1999 Schmidt ..... D12/162  
8,662,784 B2 3/2014 Cocayne  
8,905,425 B2 \* 12/2014 Williams, Jr. .... B60D 1/01  
280/479.3  
9,181,661 B2 11/2015 Petersen  
9,809,070 B1 \* 11/2017 Wright ..... B60D 1/02  
D922,300 S \* 6/2021 Brunkhurst ..... D12/223

**FOREIGN PATENT DOCUMENTS**

CN 201095289 8/2008  
CN 203637482 6/2014

**OTHER PUBLICATIONS**

“Curt 99301 Class 3 Trailer Hitch, 2-Inch Receiver, 4-Pin Wiring Harness, Select Chrysler Town & Country,” amazon.com, post Published May 10, 2018. Retrieved Apr. 15, 2024. Available online at URL:https://www.amazon.com/Curt-Manufacturing-99301-Harness-Receiver/dp/B07CZRG53H/ref=sr\_1\_1\_sspa?crd= (Year: 2018).\*  
“Curt 13360 Class 3 Trailer Hitch, 2-Inch Receiver, Square Tube Frame, Fits Select Ford F-150, Lincoln Mark LT” amazon.com, post Published Feb. 13, 2005. Retrieved Apr. 15, 2024. Available online at URL:https://www.amazon.com/CURT-13360-Class-Trailer-Hitch/dp/B000BSWE28/ref=sr\_1\_3\_sspa?crd (Year: 2005).\*

\* cited by examiner

*Primary Examiner* — Christian P. McLean  
*Assistant Examiner* — Jessica Lynn Devilbiss

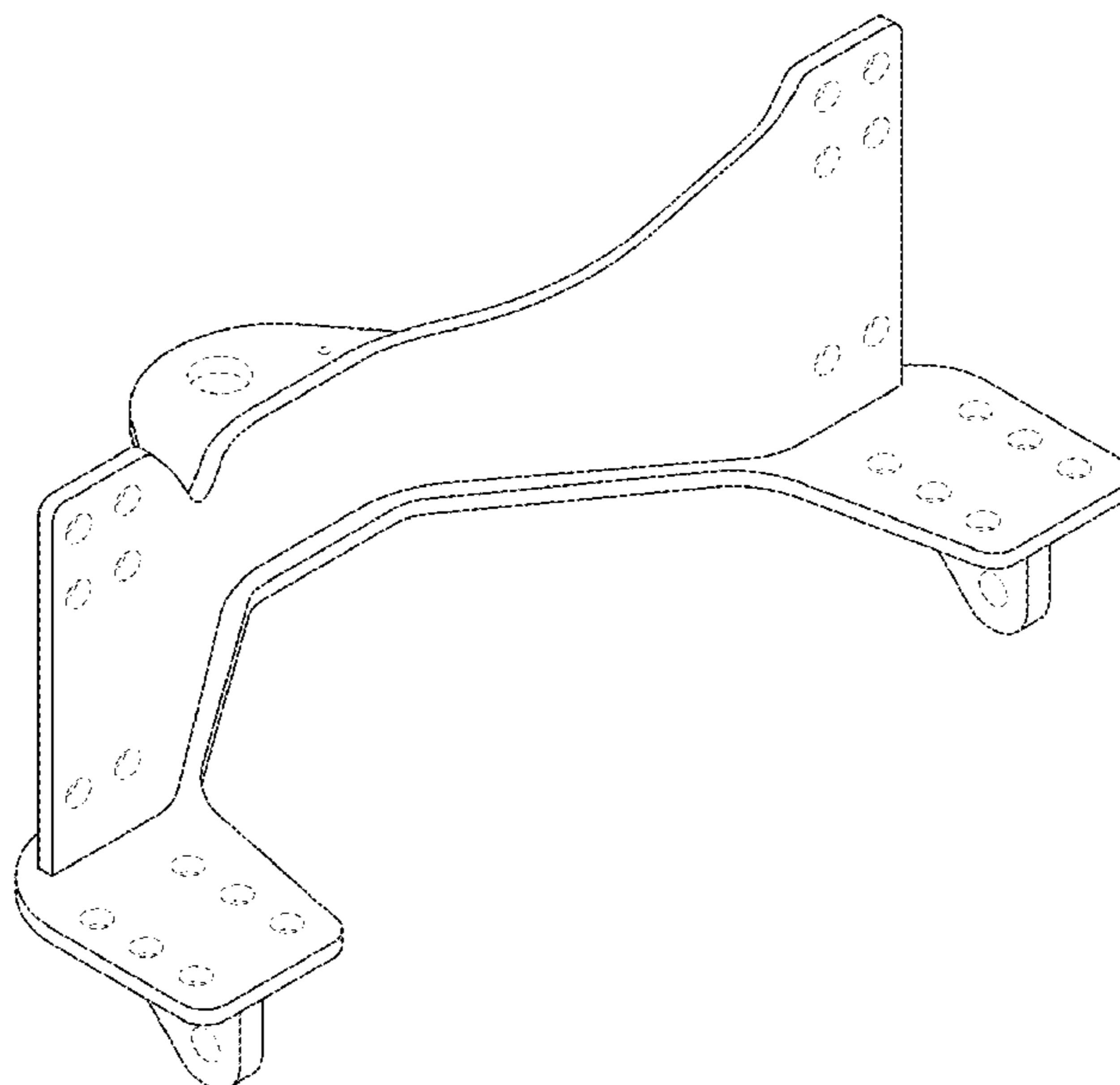
(57) **CLAIM**

The ornamental design for a retrieval hitch, as shown and described.

**DESCRIPTION**

FIG. 1 is a front perspective view of a retrieval hitch showing our new design;  
FIG. 2 is a rear perspective view thereof;  
FIG. 3 is a front view thereof;  
FIG. 4 is a rear view thereof;  
FIG. 5 is a left side view thereof;  
FIG. 6 is a right side view thereof;  
FIG. 7 is a top view thereof; and,  
FIG. 8 is a bottom view thereof.  
The broken lines depict portions of the retrieval hitch which form no part of the claimed design.

**1 Claim, 8 Drawing Sheets**



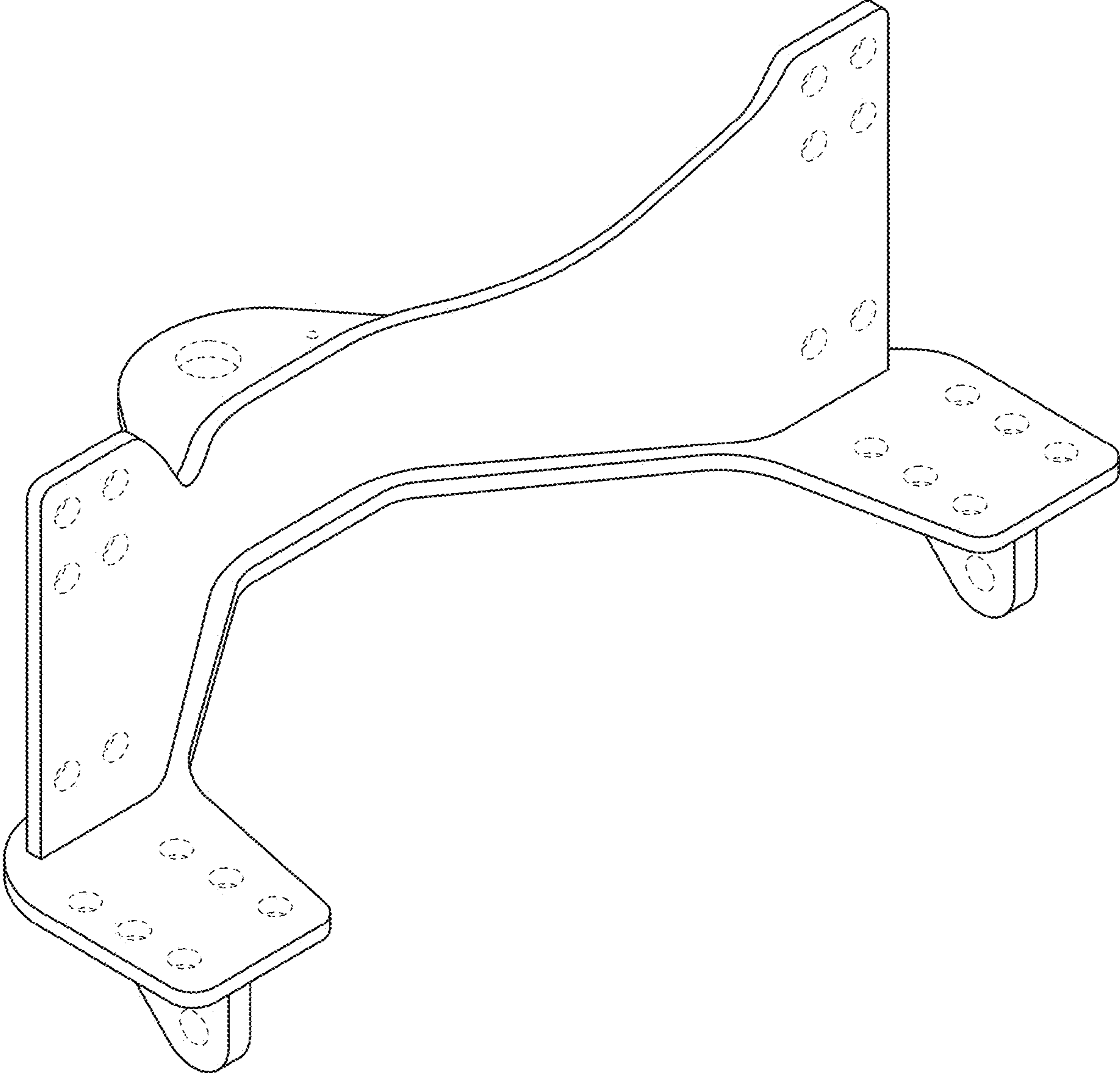


FIG. 1

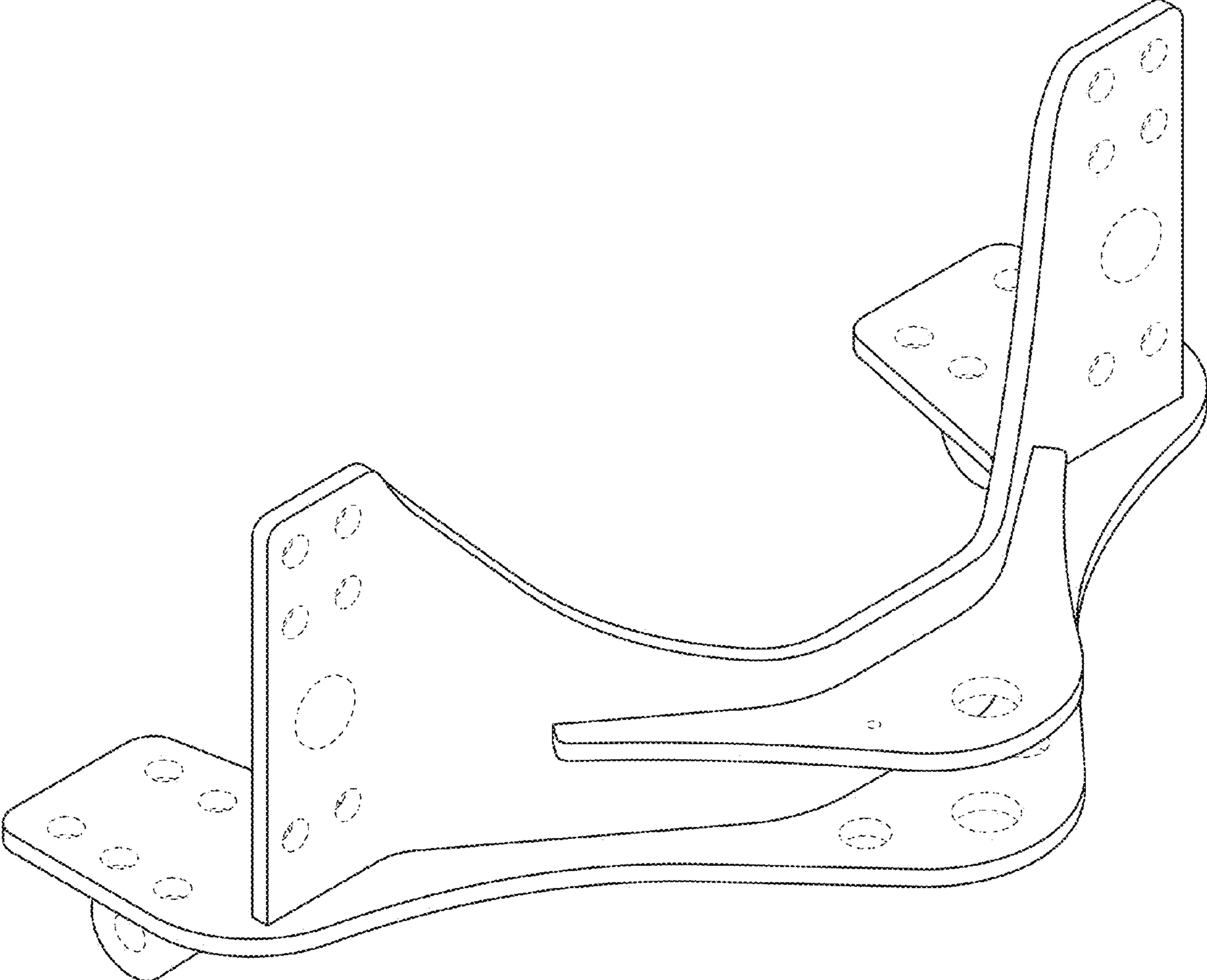


FIG. 2

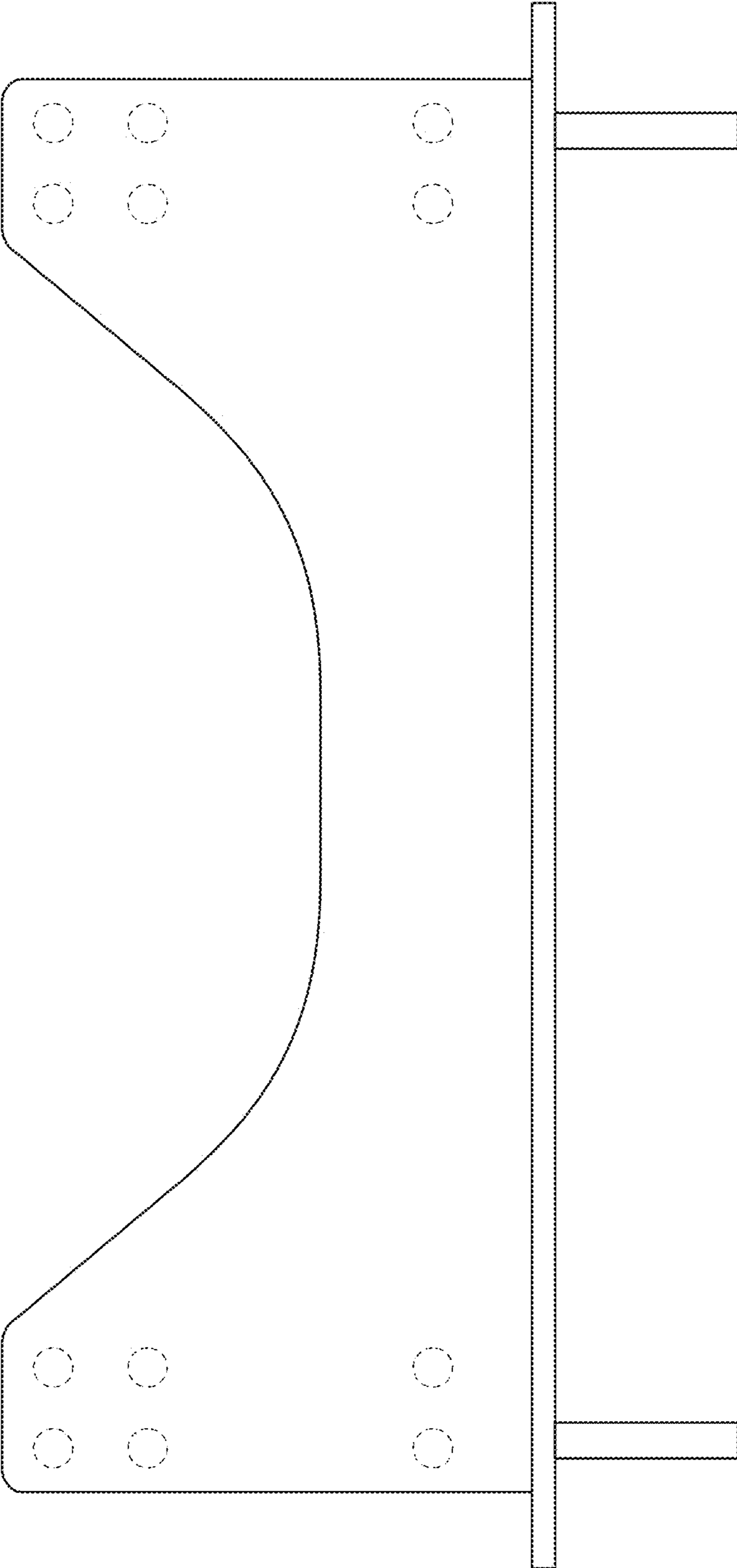


FIG. 3

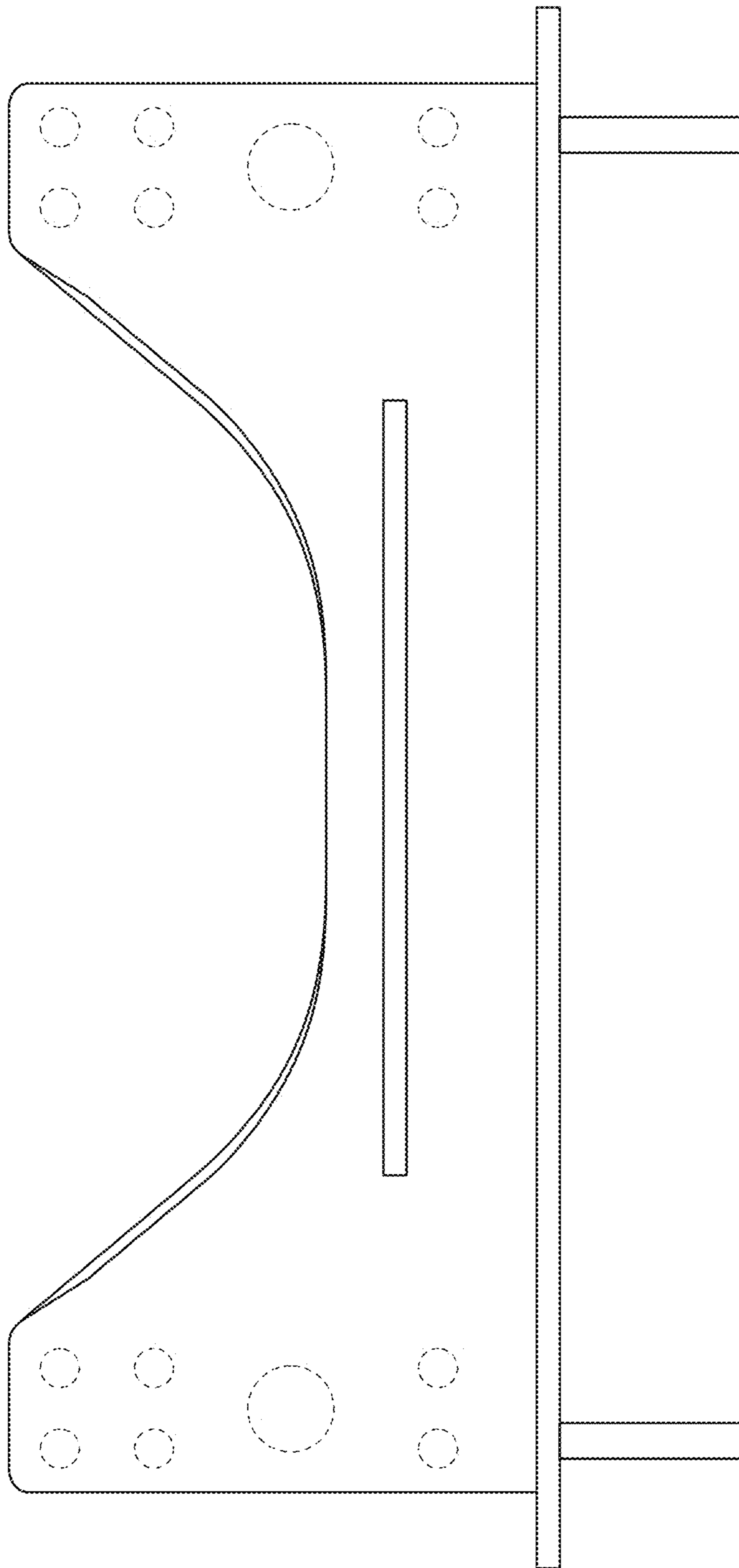


FIG. 4

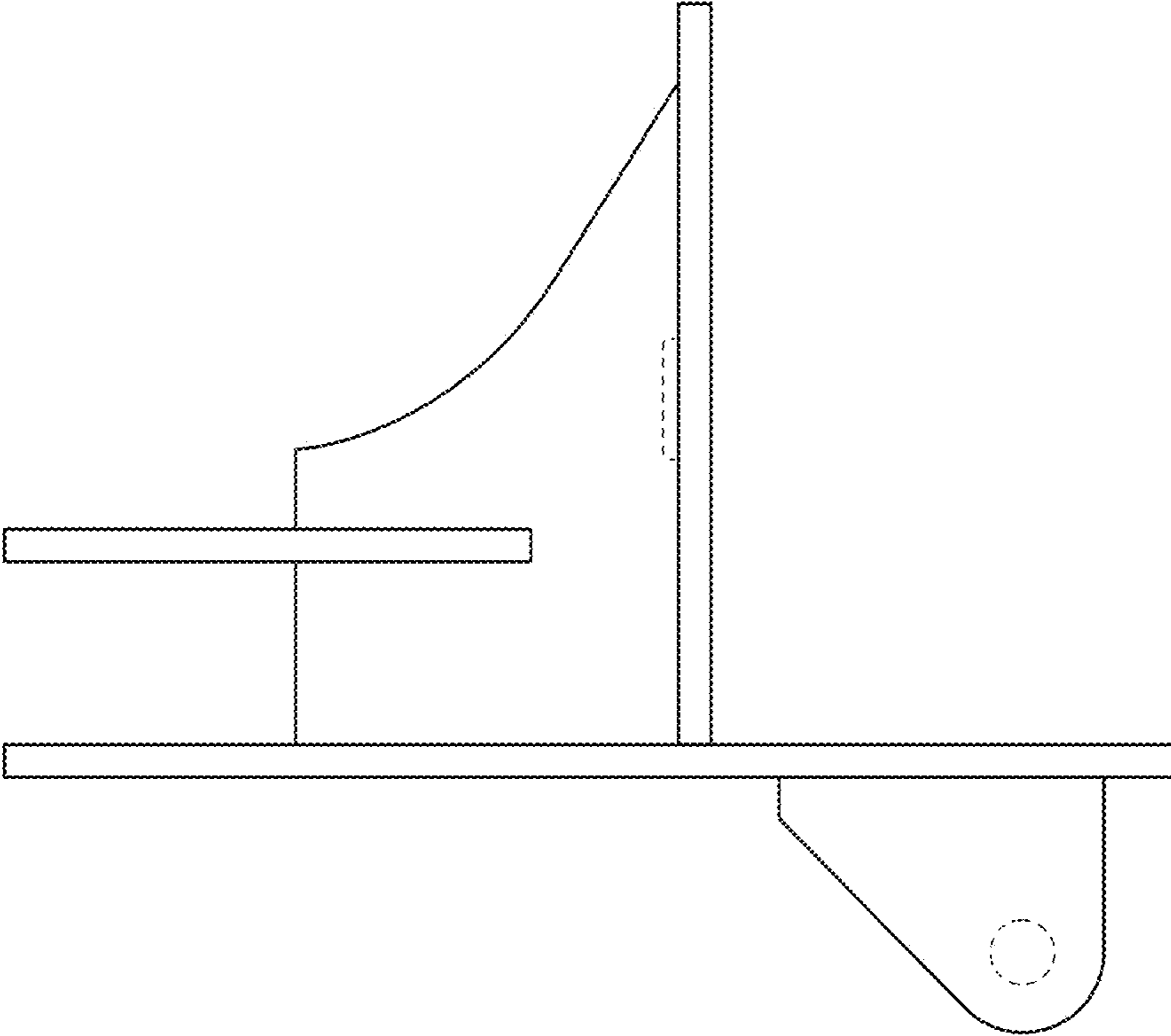


FIG. 5

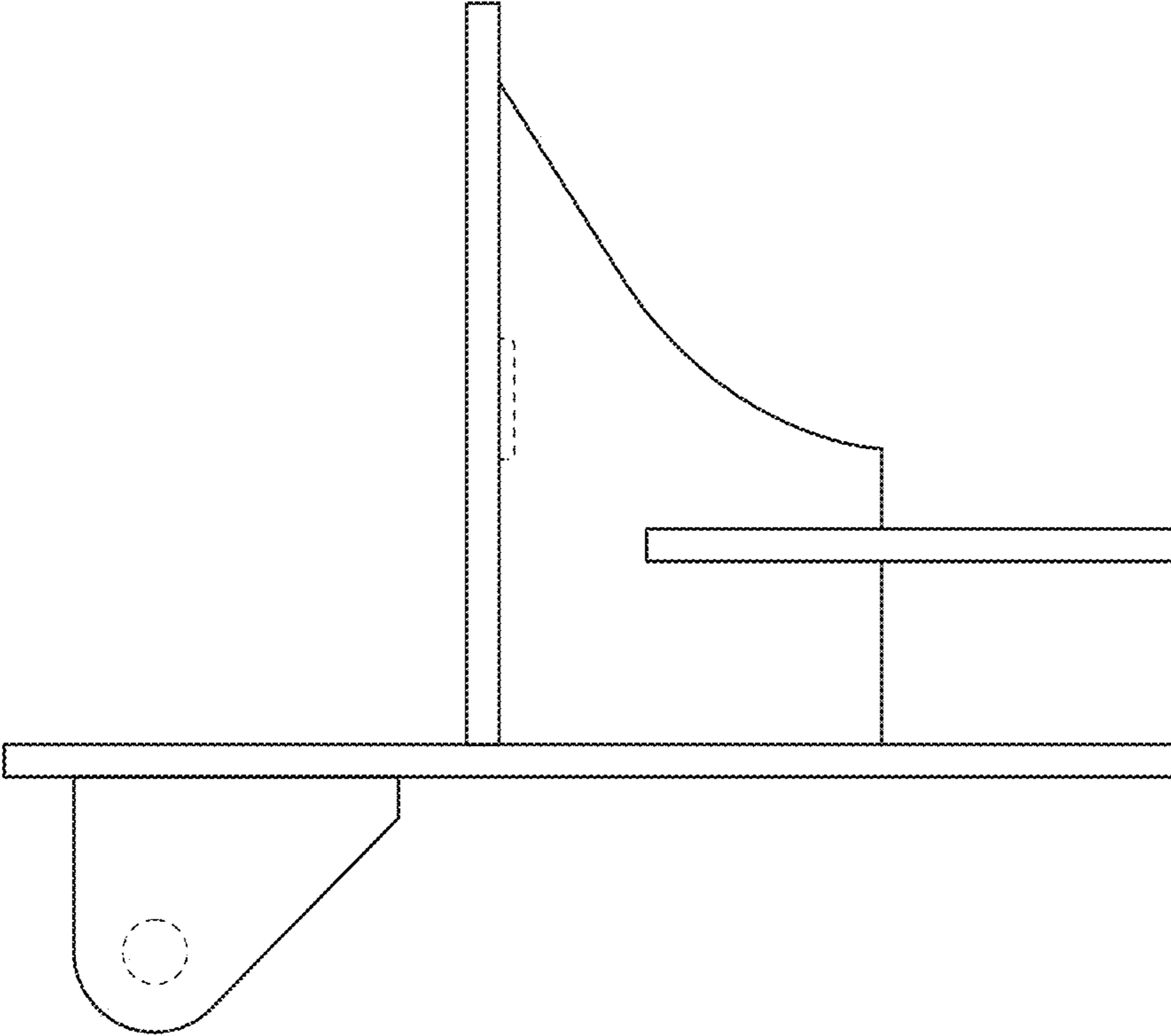


FIG. 6

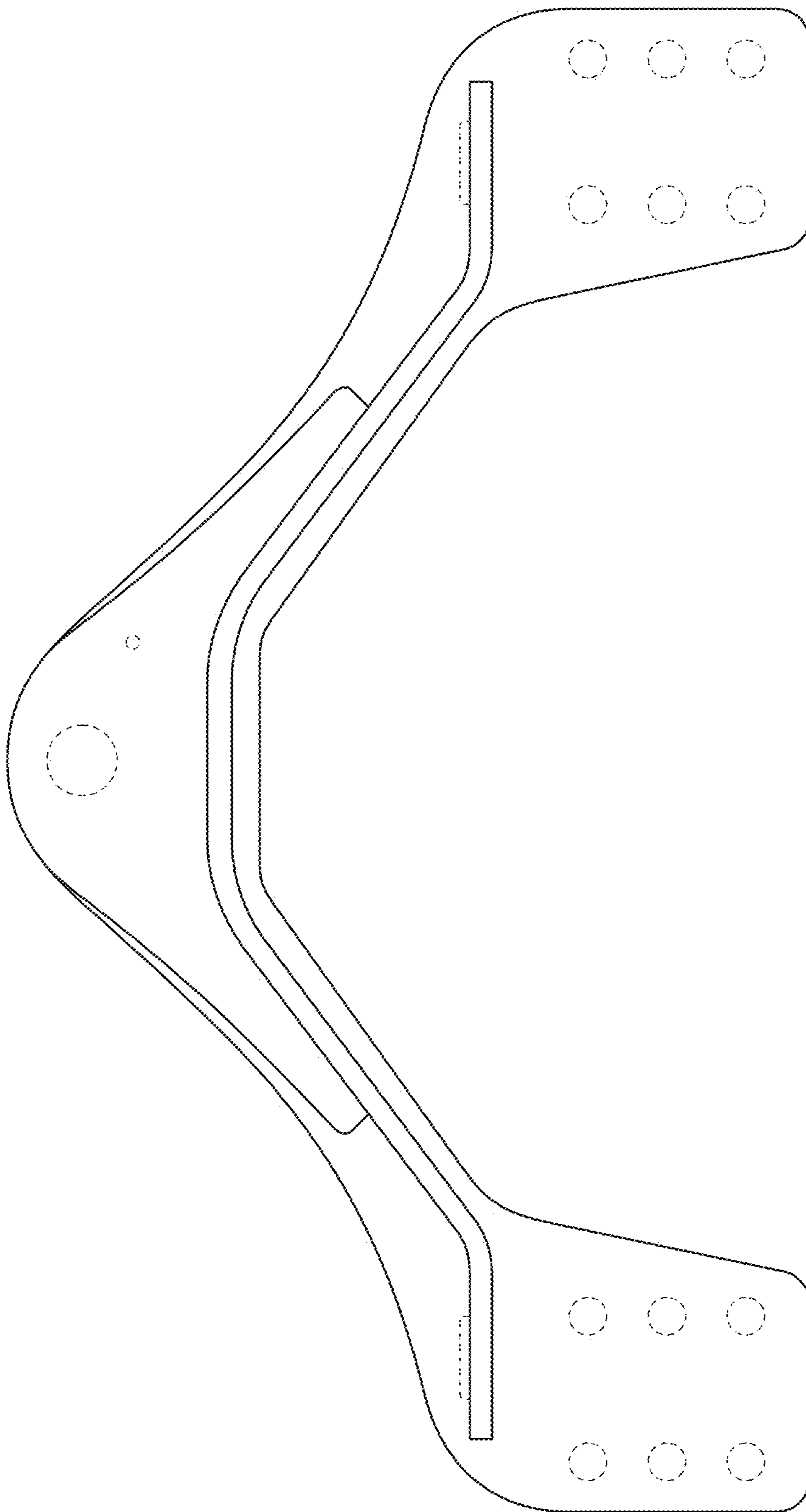


FIG. 7



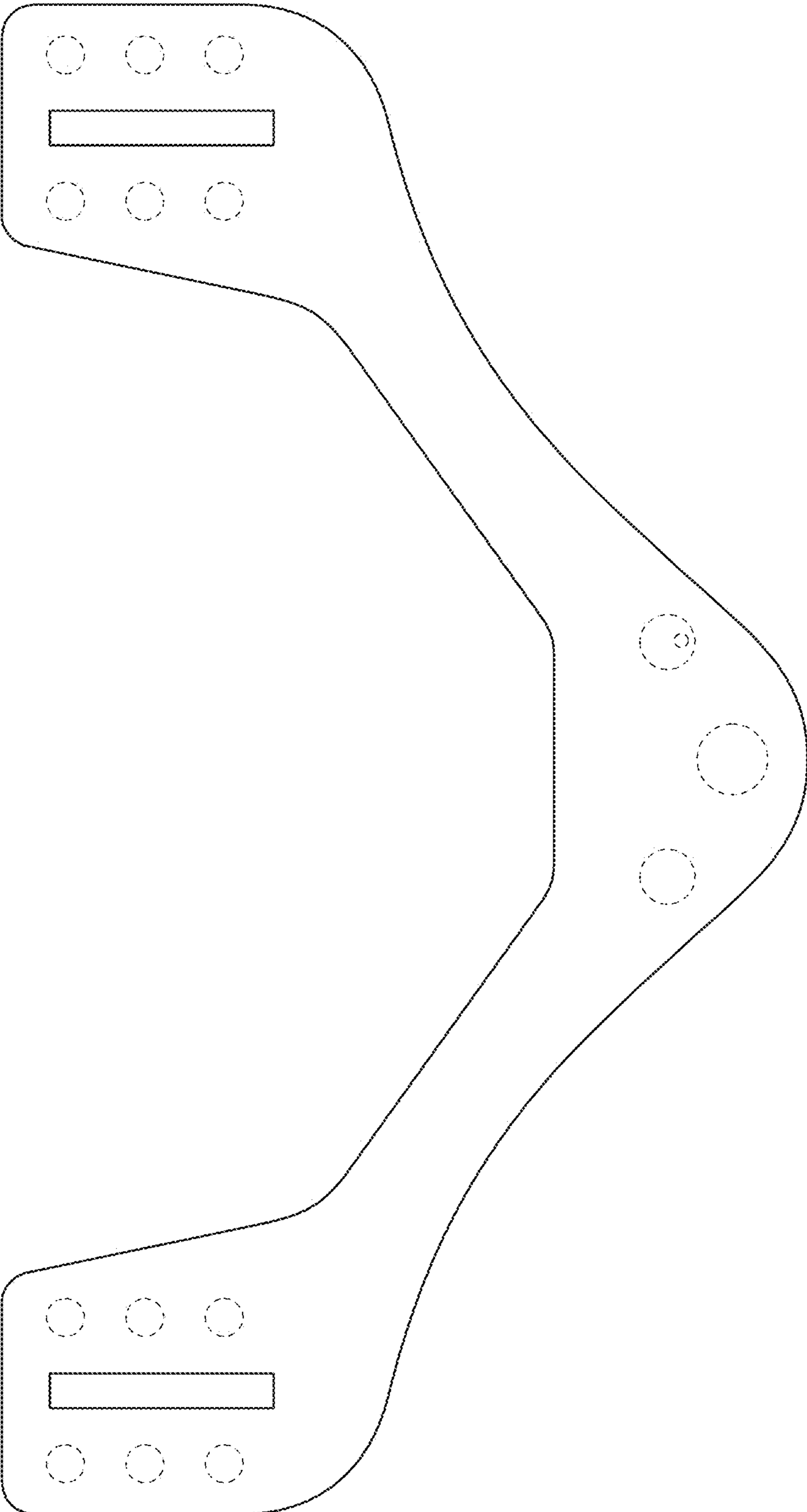


FIG. 8