



US0D1041352S

(12) **United States Design Patent** (10) **Patent No.:** **US D1,041,352 S**
Milaitis (45) **Date of Patent:** **** Sep. 10, 2024**

(54) **STIRRUP BELT CLASP**

FOREIGN PATENT DOCUMENTS

(71) Applicant: **Elizabeth Milaitis**, Irving, TX (US)

GB 6289142 * 6/2023

(72) Inventor: **Elizabeth Milaitis**, Irving, TX (US)

OTHER PUBLICATIONS

(**) Term: **15 Years**

Ellany, Date Available May 11, 2021, Facebook, Site Visited on Jan. 10, 2024: <https://www.facebook.com/ellanyeq/photos/pb.100063952991684.-2207520000/1401834463498525/?type=3> (Year: 2021).*

(21) Appl. No.: **29/864,176**

Jasgood Leather Skinny Women Belt, Date Available Sep. 21, 2017, Amazon, Site Visited on Jan. 9, 2024: <https://www.amazon.com/Leather-Skinny-Dresses-Inches-02-Black/dp/B07Y4YY8FK/> (Year: 2017).*

(22) Filed: **May 12, 2022**

(51) **LOC (14) Cl.** **02-07**

(52) **U.S. Cl.**

USPC **D11/211**

(58) **Field of Classification Search**

USPC D11/200–201, 206, 208, 210–220, D11/222–223, 229; D2/627, 631, 639, D2/976; D3/215; D8/356, 382–383; D30/139, 151–152, 199
CPC A44B 11/00; A44B 11/001; A44B 11/06; A44B 11/04; A44B 11/22; A44B 11/223; A44B 11/226; A44B 11/24; A44B 11/2542; B68B 1/06

* cited by examiner

Primary Examiner — Gino Colan

Assistant Examiner — Nicole M. Leech

(74) *Attorney, Agent, or Firm* — Dunlap Bennett & Ludwig, PLLC; Anna L. Kinney

See application file for complete search history.

(57) **CLAIM**

The ornamental design for a stirrup belt clasp, as shown and described.

(56) **References Cited**

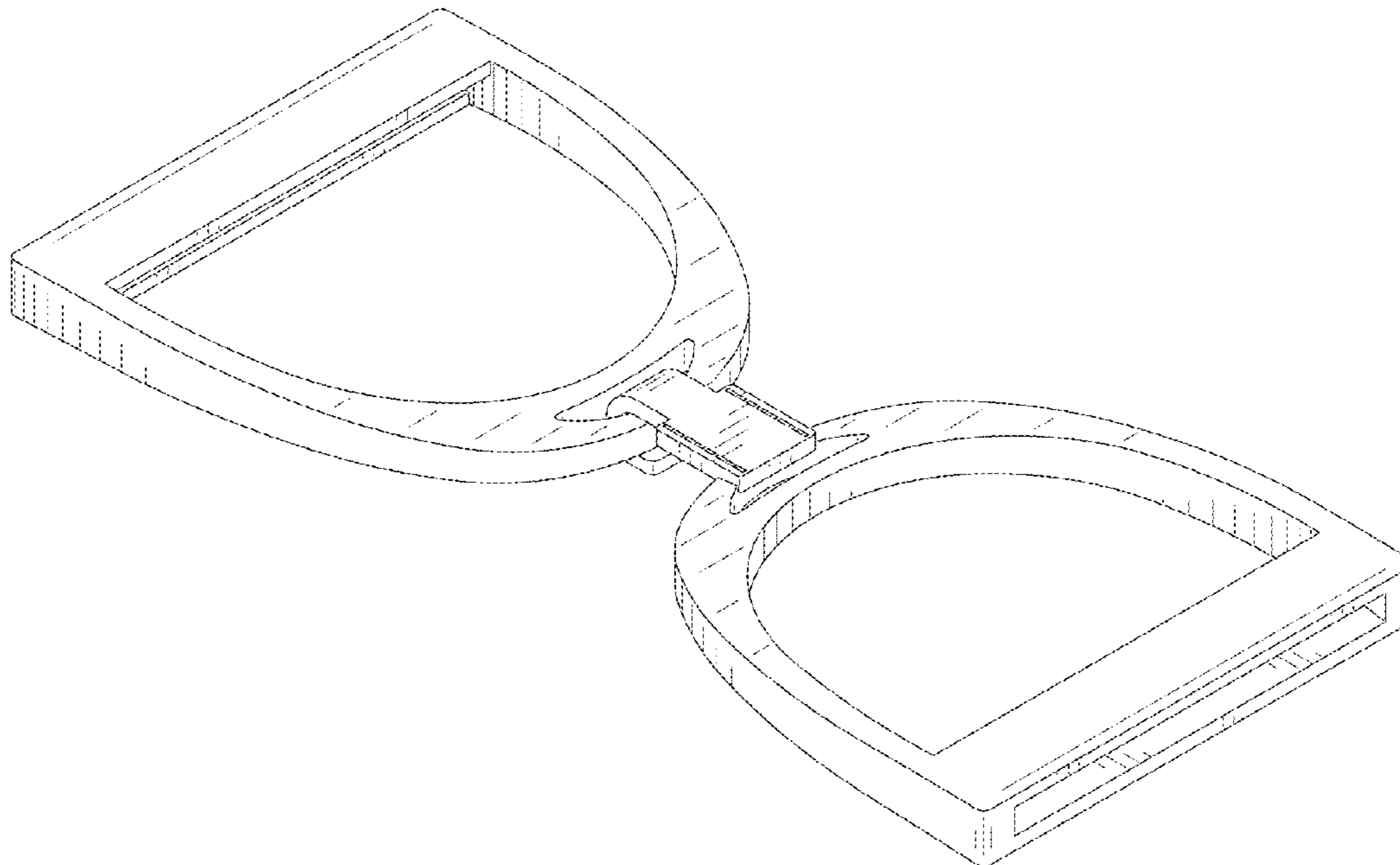
DESCRIPTION

U.S. PATENT DOCUMENTS

D97,940 S * 12/1935 Lavigne D11/216
3,327,364 A * 6/1967 Rynik A44B 11/2534
D11/216
D245,129 S 7/1977 Adams et al.
D269,824 S * 7/1983 Kanzaka D11/210
D344,693 S 3/1994 Tierce et al.
D557,007 S 12/2007 Della Valle
D628,513 S 12/2010 Della Valle et al.
D641,648 S * 7/2011 Bodino D11/1
D1,006,675 S * 12/2023 Dumas D11/200

FIG. 1 is a top front perspective view of a stirrup belt clasp showing my new design;
FIG. 2 is a bottom rear perspective view thereof;
FIG. 3 is a front elevation view thereof, with the rear elevation view being a mirror image thereof;
FIG. 4 is a right side elevation view thereof;
FIG. 5 is a left side elevation view thereof;
FIG. 6 is a top plan view thereof; and,
FIG. 7 is a bottom plan view thereof.

1 Claim, 3 Drawing Sheets



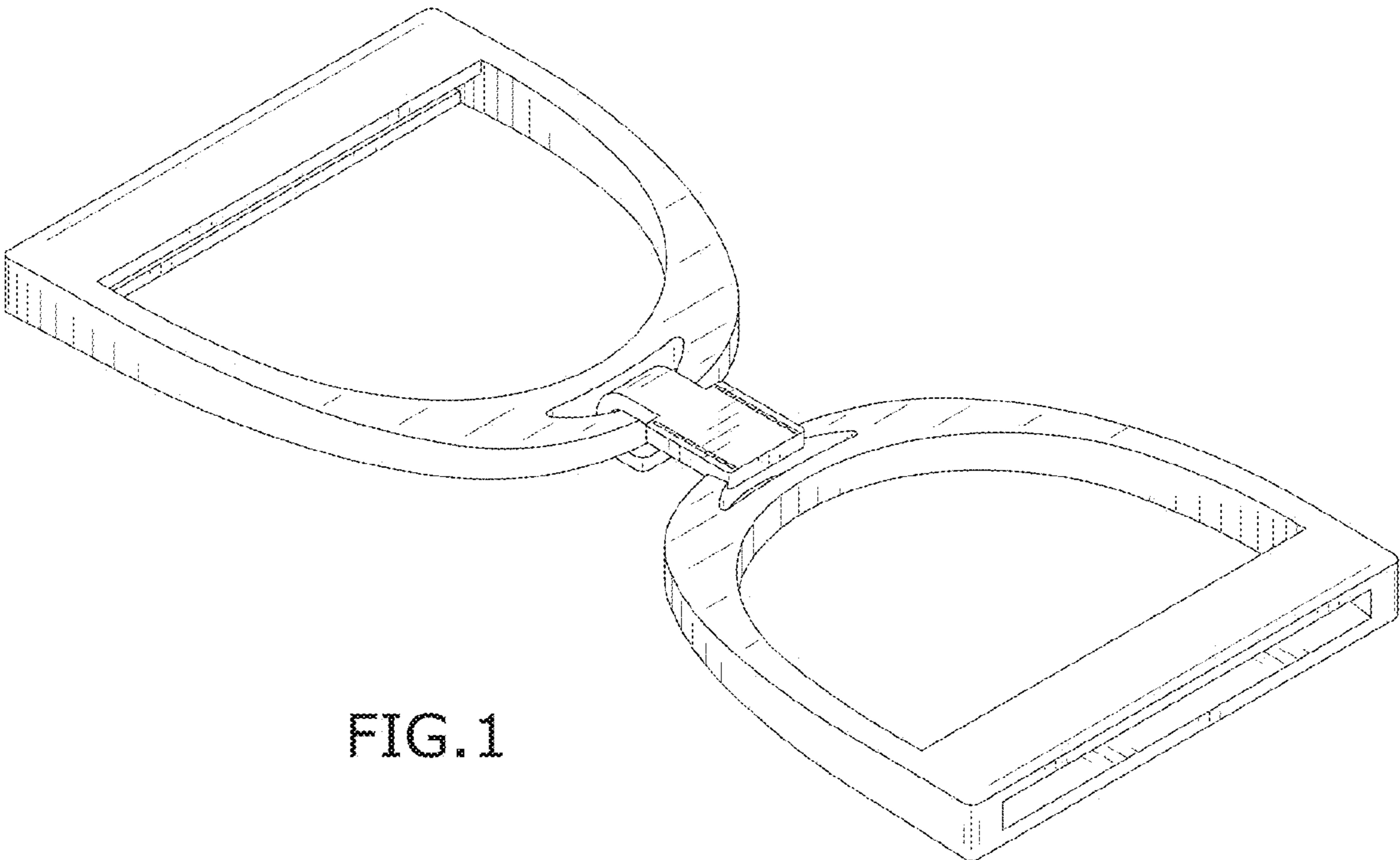


FIG. 1

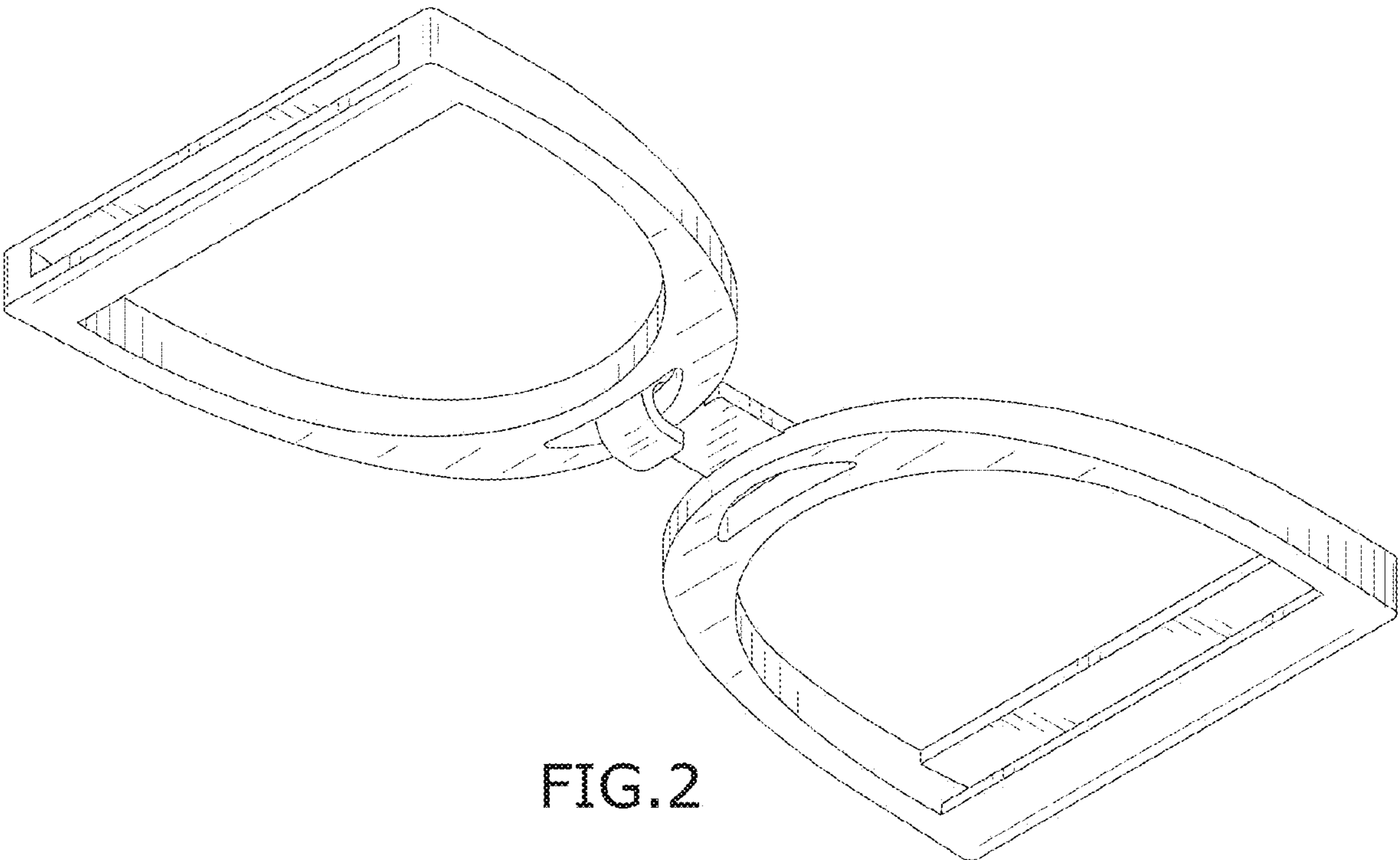


FIG. 2

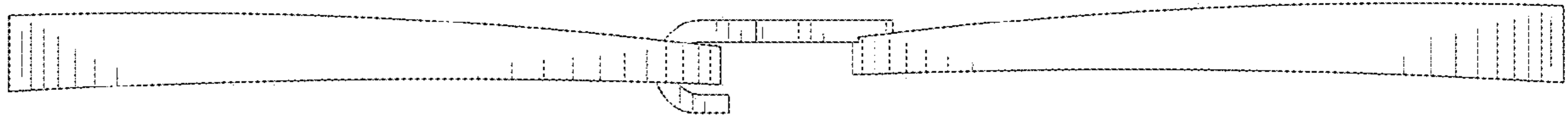


FIG. 3

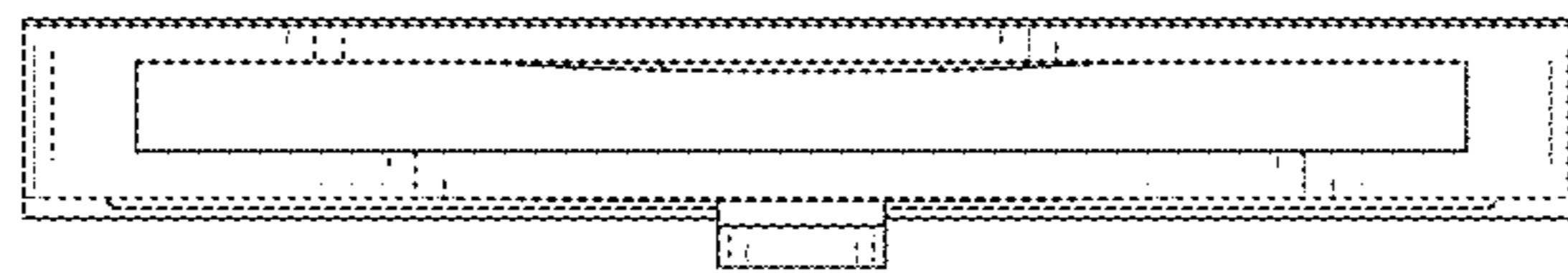


FIG. 4

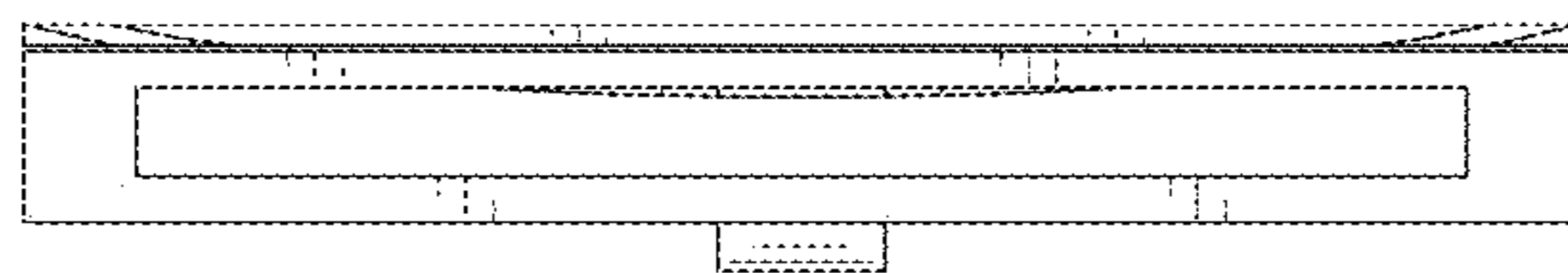


FIG. 5

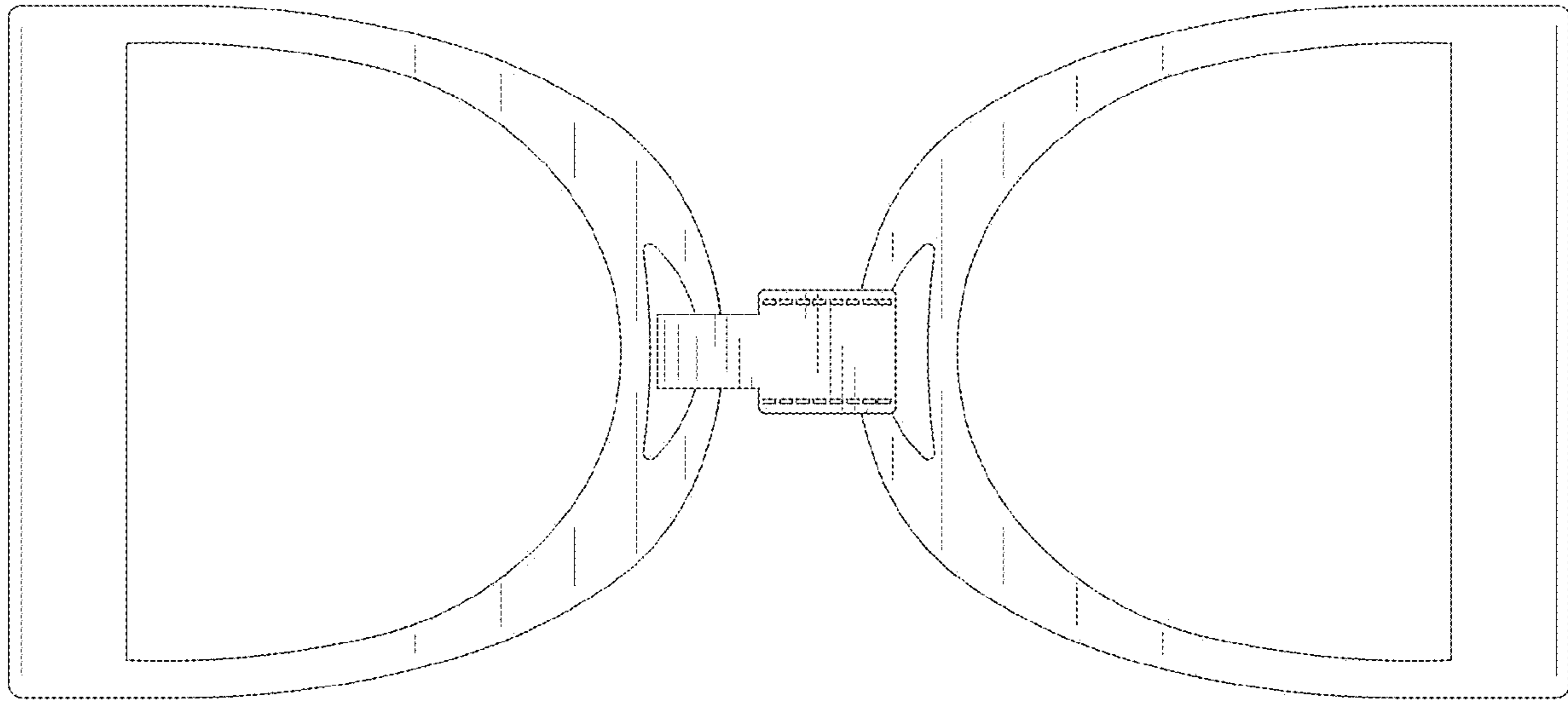


FIG. 6

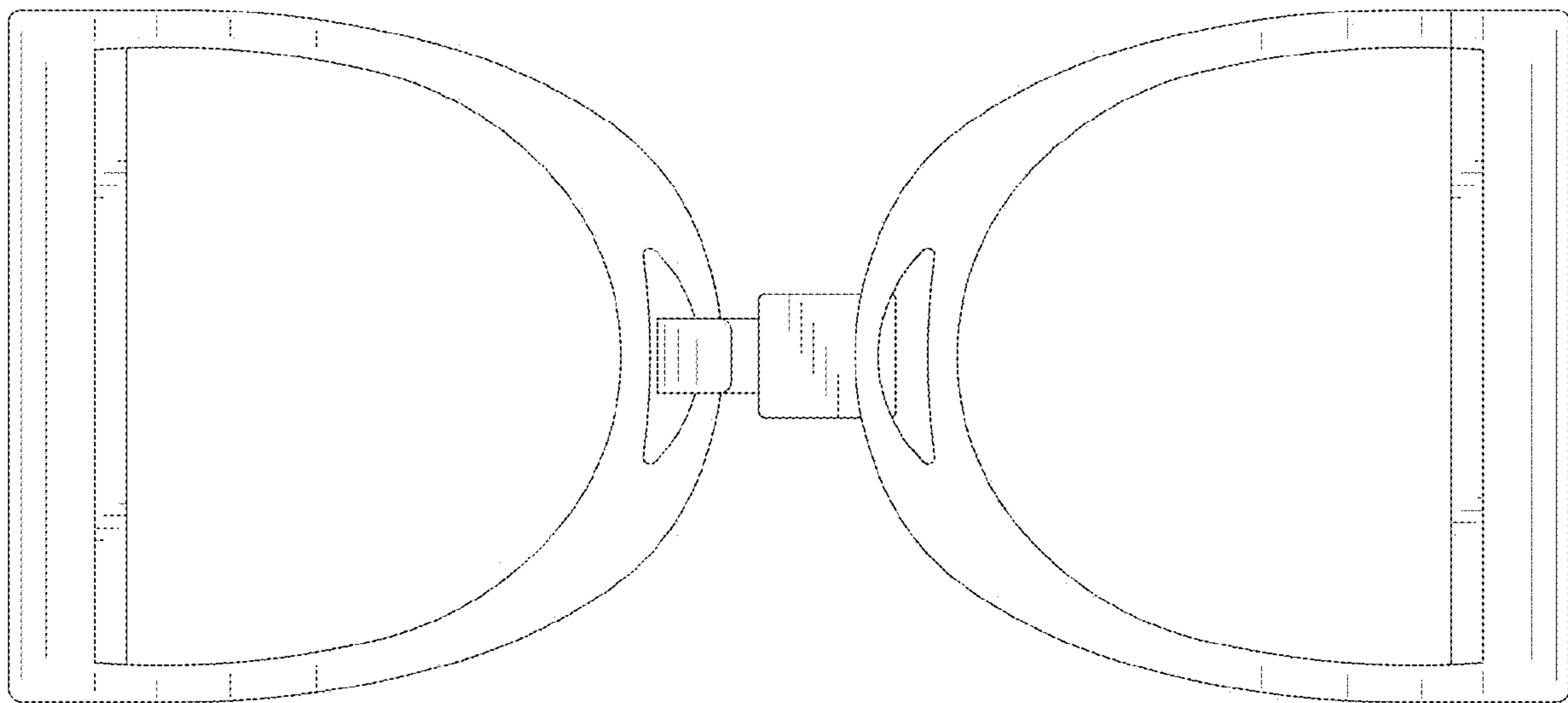


FIG. 7