



US0D1041308S

(12) **United States Design Patent** (10) **Patent No.: US D1,041,308 S**  
**Green et al.** (45) **Date of Patent: \*\* Sep. 10, 2024**

(54) **OVERCAP**

- (71) Applicant: **The Clorox Company**, Oakland, CA (US)
- (72) Inventors: **Meghan Green**, Pleasanton, CA (US);  
**Benjamin Ma**, Pleasanton, CA (US);  
**Jacob McMullen**, Newark, CA (US)
- (73) Assignee: **THE CLOROX COMPANY**, Oakland, CA (US)
- (\*\*) Term: **15 Years**
- (21) Appl. No.: **29/928,671**
- (22) Filed: **Feb. 14, 2024**

**Related U.S. Application Data**

- (63) Continuation of application No. 29/854,105, filed on Sep. 22, 2022, now Pat. No. Des. 1,024,769.
- (51) **LOC (14) Cl.** ..... **09-07**
- (52) **U.S. Cl.**  
USPC ..... **D9/447**
- (58) **Field of Classification Search**  
USPC ..... D9/434, 435, 438, 440, 445, 446, 447,  
D9/448, 449, 452, 453, 454; D7/387,  
D7/391, 392, 392.1, 393, 396.1, 396.2;  
D6/542; D32/25, 29.1; D23/249, 259,  
D23/260; D24/121, 127, 199; D10/46,  
D10/46.2

(Continued)

(56) **References Cited**

**U.S. PATENT DOCUMENTS**

- D179,640 S \* 2/1957 Hartung ..... D9/447
- D221,064 S \* 7/1971 Warren ..... D9/436

(Continued)

**OTHER PUBLICATIONS**

Clorox Laundry Santizer: Site Visited (Dec. 4, 2023). Available from URL: <https://shop.clorox.com/products/clorox-laundry-sanitizer-1>.\*

(Continued)

*Primary Examiner* — Catherine S Posthauer  
(74) *Attorney, Agent, or Firm* — Edell, Shapiro & Finnan, LLC

(57) **CLAIM**

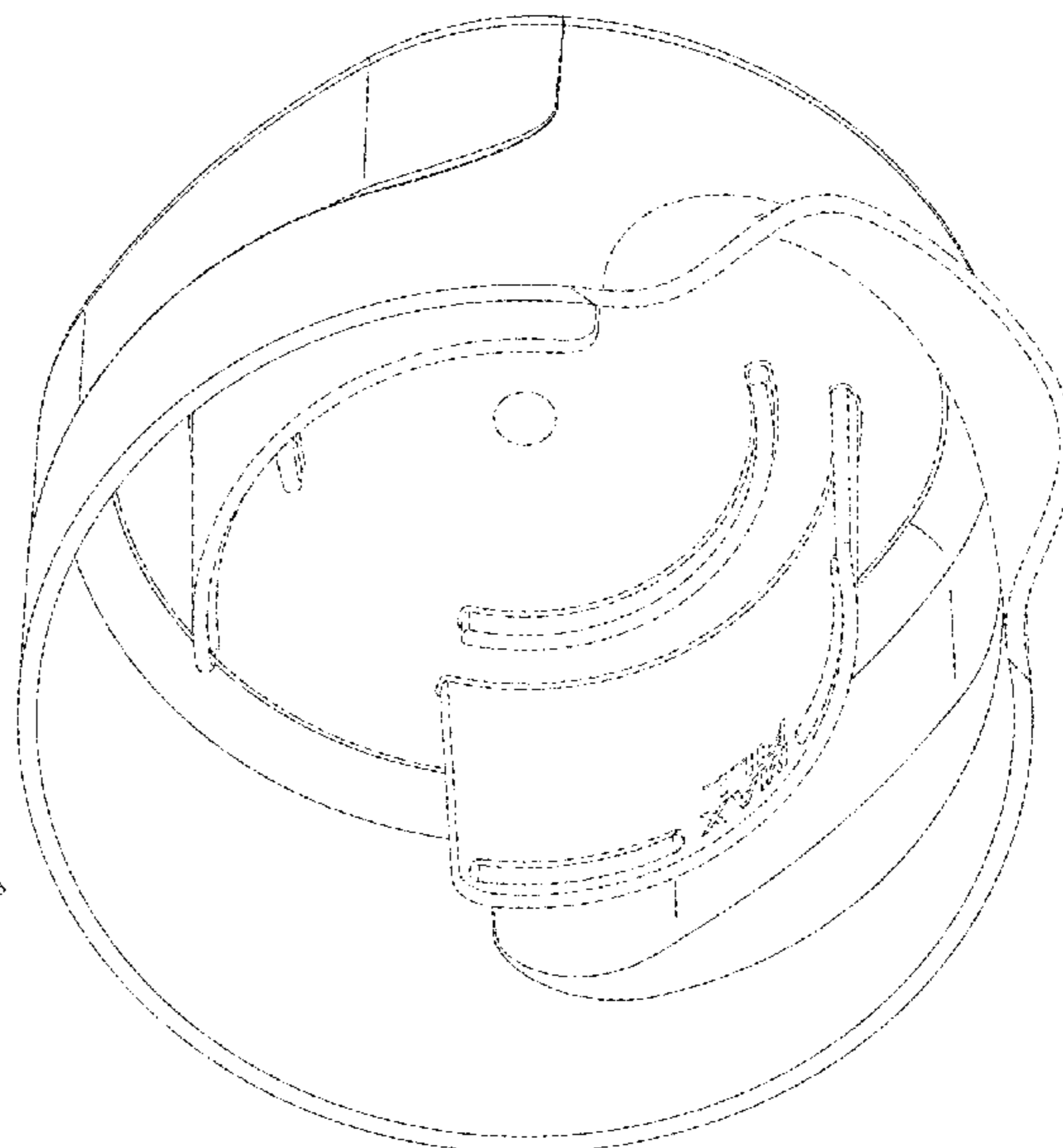
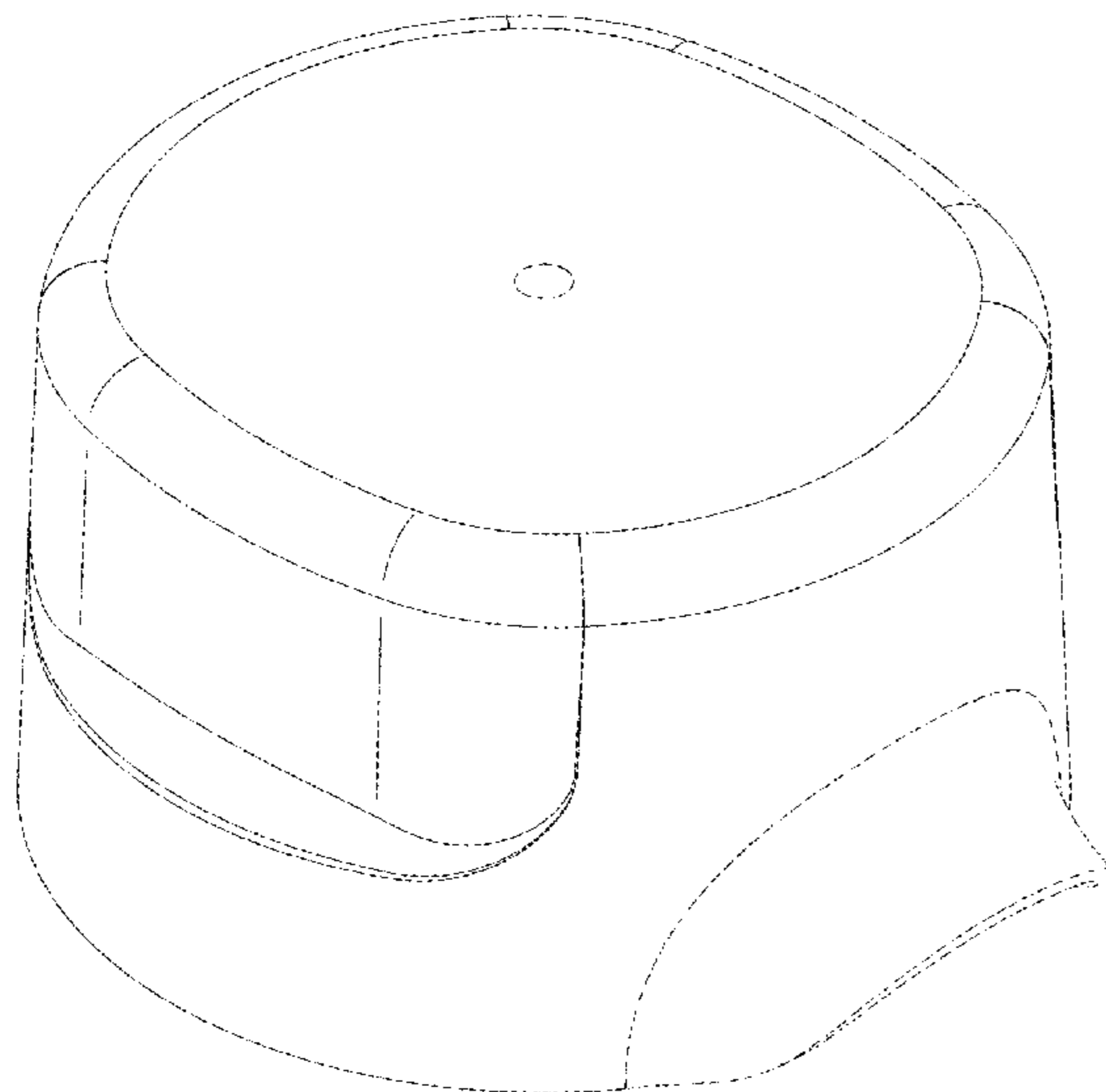
The ornamental design for an overcap, as shown and described.

**DESCRIPTION**

FIG. 1 is a front top perspective view of an overcap, showing our new design;  
 FIG. 2 is a front bottom perspective view of the overcap of FIG. 1;  
 FIG. 3 is a rear top perspective view of the overcap of FIG. 1;  
 FIG. 4 is a rear bottom perspective view of the overcap of FIG. 1;  
 FIG. 5 is a front view of the overcap of FIG. 1;  
 FIG. 6 is a rear view of the overcap of FIG. 1;  
 FIG. 7 is a right side view of the overcap of FIG. 1;  
 FIG. 8 is a left side view of the overcap of FIG. 1;  
 FIG. 9 is a top view of the overcap of FIG. 1;  
 FIG. 10 is a bottom view of the overcap of FIG. 1;  
 FIG. 11 is a first perspective view of the overcap of FIG. 1 disposed on a bottle; and,  
 FIG. 12 is a second perspective view of the overcap of FIG. 1 disposed on a bottle.

The broken lines are shown for the purpose of illustrating both parts of the article as well as environmental subject matter of an exemplary container. None of the broken lines form part of the claimed design. The dot-dash broken lines represent the boundaries of the claim and form no part thereof.

**1 Claim, 9 Drawing Sheets**



(58) **Field of Classification Search**

CPC .... B65D 2517/0014; B65D 2517/4011; B65D 1/00; B65D 1/02; B65D 1/10; B65D 1/46; B65D 41/04; B65D 41/06; B65D 41/26; B65D 23/102; A61J 1/00; A61J 1/1412; A47K 5/1205; A47K 2201/025; A47J 43/02; A47J 43/04; A47G 19/2222; A47G 19/2205; A47G 19/2266; A47G 19/2272

See application file for complete search history.

D958,656 S \* 7/2022 Lupberger ..... D9/447  
 D964,167 S 9/2022 Sterling et al.  
 D1,000,608 S 10/2023 Neby

**OTHER PUBLICATIONS**

Clorox Laundry Sanitizer: Announced (Apr. 25, 2023; online). Site Visited (Dec. 4, 2023). Available from URL: [https://www.amazon.com/Clorox-Laundry-Sanitizer-Odor-Causing-Bacteria/dp/B0C3J2GPVQ/ref=asc\\_df\\_B0C3J2GPVQ/?tag=hyprod-20&linkCode=df0&hvadid=663299135640&hvpos=&hvnetw=g&hvrnd=16813824695569726666&hvpone=&hvptwo=&hvqmt=&hvdev=c&hvdvcmld=&hvlocint=&hvlocphy=1018511&hvtargid=pla-2187119232706&psc=1&mcid=a723caa863a.\\*](https://www.amazon.com/Clorox-Laundry-Sanitizer-Odor-Causing-Bacteria/dp/B0C3J2GPVQ/ref=asc_df_B0C3J2GPVQ/?tag=hyprod-20&linkCode=df0&hvadid=663299135640&hvpos=&hvnetw=g&hvrnd=16813824695569726666&hvpone=&hvptwo=&hvqmt=&hvdev=c&hvdvcmld=&hvlocint=&hvlocphy=1018511&hvtargid=pla-2187119232706&psc=1&mcid=a723caa863a.*)  
 HDPE Fridge Flip Top Bottle Cap: Site Visited (Dec. 7, 2023). Available from URL: [https://www.indiamart.com/proddetail/fridge-flip-top-bottle-cap-22753327973.html.\\*](https://www.indiamart.com/proddetail/fridge-flip-top-bottle-cap-22753327973.html.*)  
 Ariel Liquid Detergen: Announced (Jan. 15, 2017; online). Site Visited (Mar. 18, 2024). Available from URL; [https://www.amazon.de/-/en/Ariel-Liquid-Detergent-Pack-Loads/dp/B01N5MKS WL?th=1.\\*](https://www.amazon.de/-/en/Ariel-Liquid-Detergent-Pack-Loads/dp/B01N5MKS WL?th=1.*)  
 Liquid Dosing Device: Site Visited (Mar. 18, 2024). Available from URL: [https://smssupervs.live/product\\_details/13203504.html.\\*](https://smssupervs.live/product_details/13203504.html.*)  
 HDPE Fridge Flip Top Bottle Cap: Site Visited (Dec. 7, 2023). Available from URL: <https://www.indiamart.com/proddetail/fridge-flip-top-bottle-cap-22753327973.html, 5 pages.>  
 Amazon, "Clorox Laundry Sanitizer, Kills 99.9% of Odor-Causing Bacteria on Laundry, 80 Fl Oz, Pack of 2," retrieved from: <https://www.amazon.com/Clorox-Laundry-Sanitizer-Odor-Causing-Bacteria/dp/B0C3J2GPVQ> on Dec. 4, 2023, 9 pages.  
 Clorox Laundry Santizer: Site Visited (Dec. 4, 2023). Available from URL: <https://shop.clorox.com/products/clorox-laundry-sanitizer-1, 3 pages.>

\* cited by examiner

(56) **References Cited**

U.S. PATENT DOCUMENTS

D341,318 S \* 11/1993 Brown ..... D9/447  
 D369,108 S \* 4/1996 Haske ..... D9/454  
 D404,663 S \* 1/1999 Prindle ..... D10/46.2  
 D421,697 S \* 3/2000 Hollinger ..... D7/624.1  
 D506,134 S 6/2005 Foster et al.  
 D580,799 S \* 11/2008 Curtin ..... D10/46.2  
 D587,136 S \* 2/2009 Friebe ..... D9/772  
 D613,160 S 4/2010 Ablo  
 D618,500 S \* 6/2010 Hardaway ..... D7/505  
 D620,817 S \* 8/2010 Eide ..... D10/46.2  
 D621,706 S \* 8/2010 Breckan ..... D9/443  
 D641,266 S \* 7/2011 Tamura ..... D10/46.2  
 D648,626 S 11/2011 Oates et al.  
 D654,360 S \* 2/2012 Traxler ..... D32/54  
 D676,745 S 2/2013 MacNeill et al.  
 D736,080 S 8/2015 Lavender  
 D746,105 S 12/2015 de Neufville  
 D756,246 S \* 5/2016 Kent ..... D10/46.2  
 D856,138 S 8/2019 Biesecker, II et al.  
 D885,824 S \* 6/2020 Neputy ..... D7/392.1  
 D911,840 S 3/2021 Berthe  
 D936,733 S 11/2021 Jin et al.

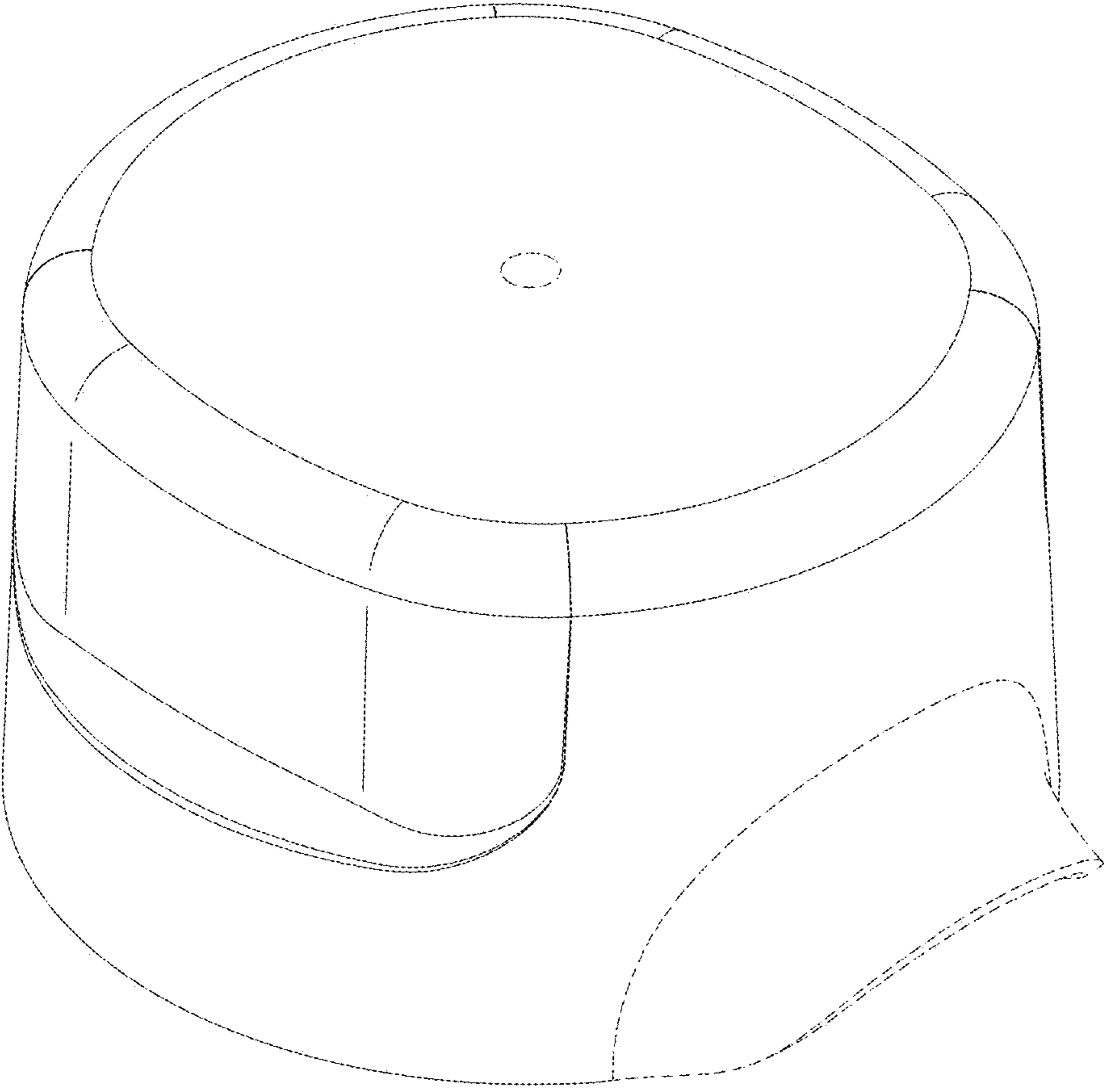


FIG.1

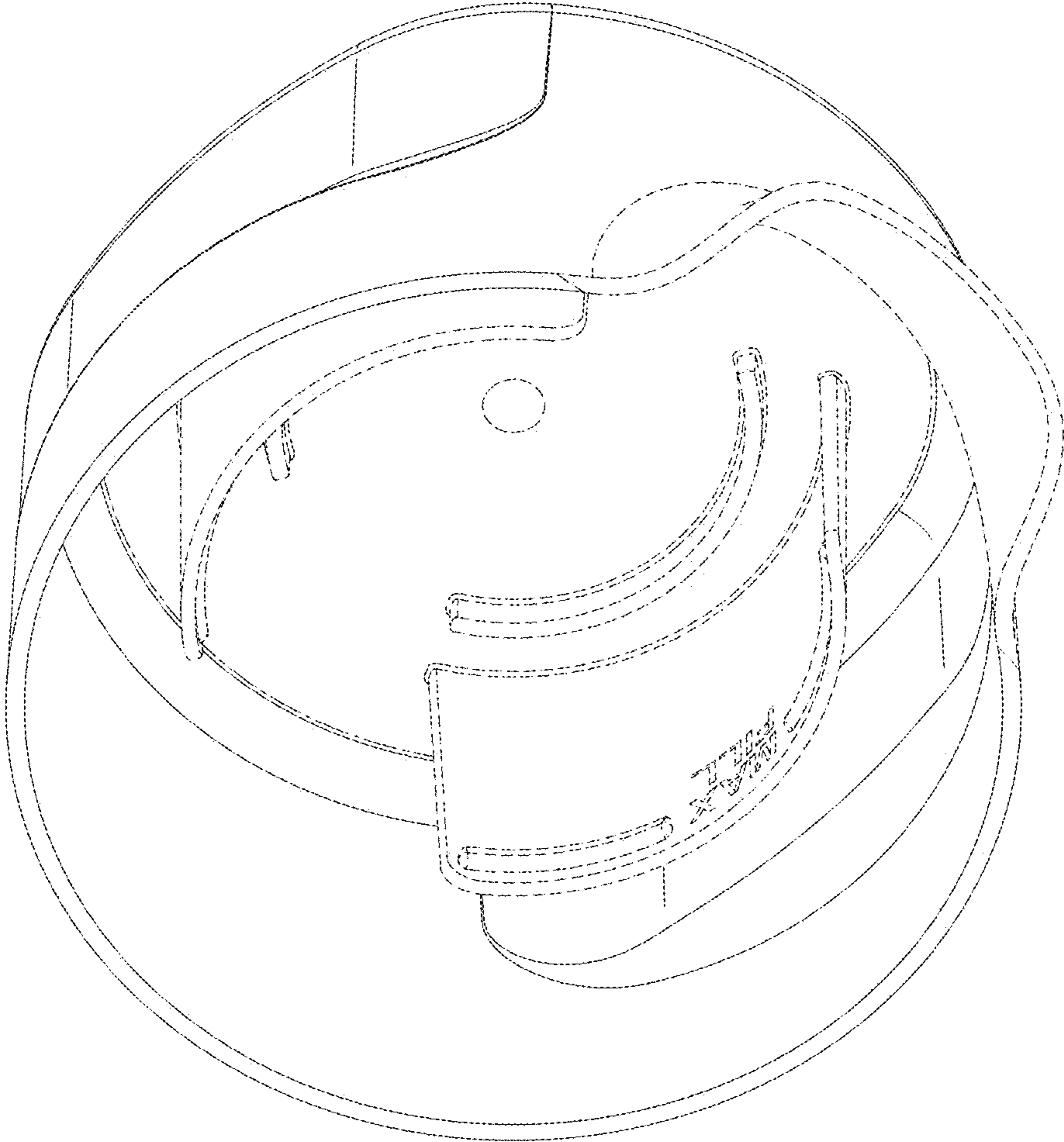


FIG. 2

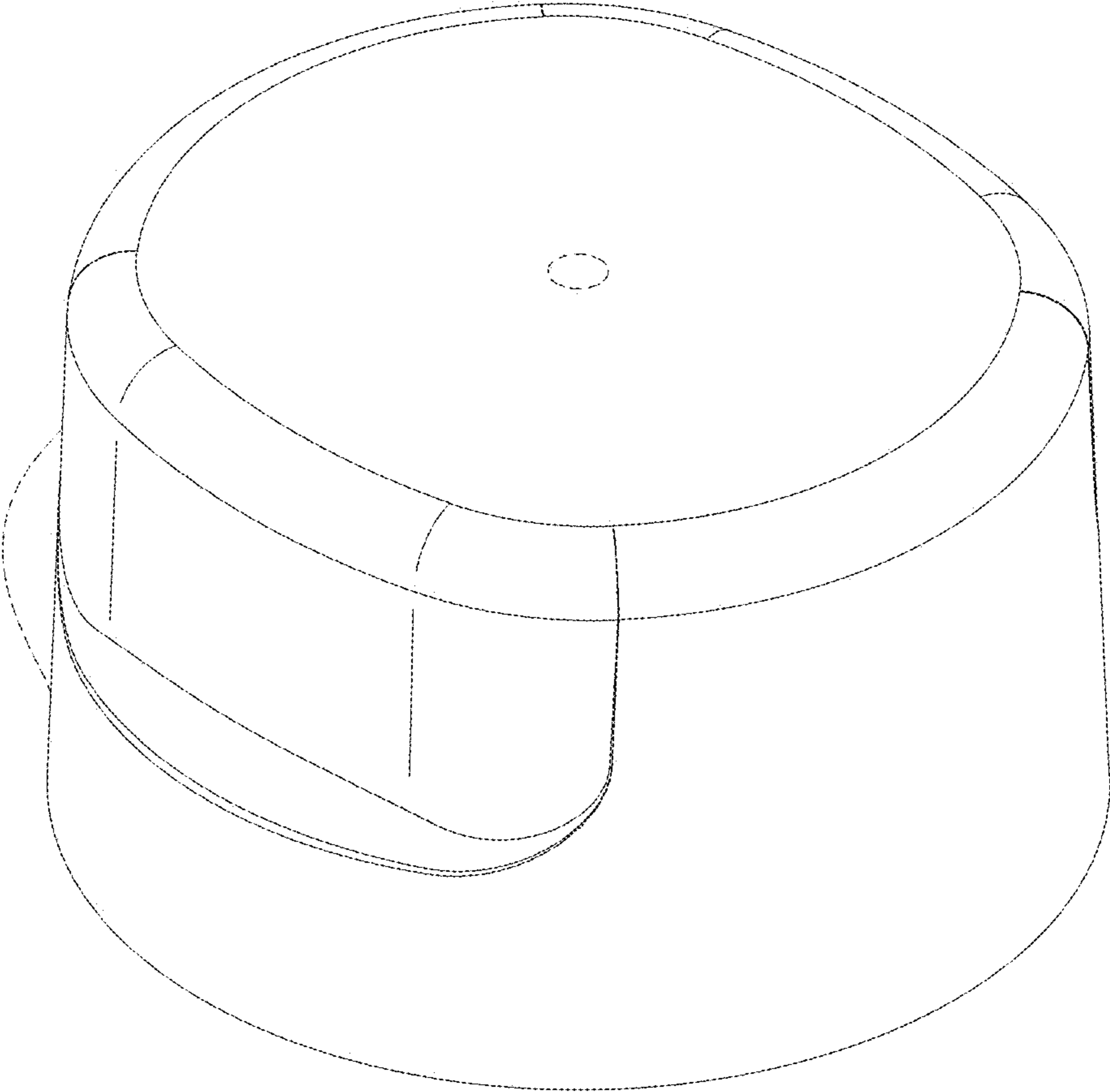


FIG.3

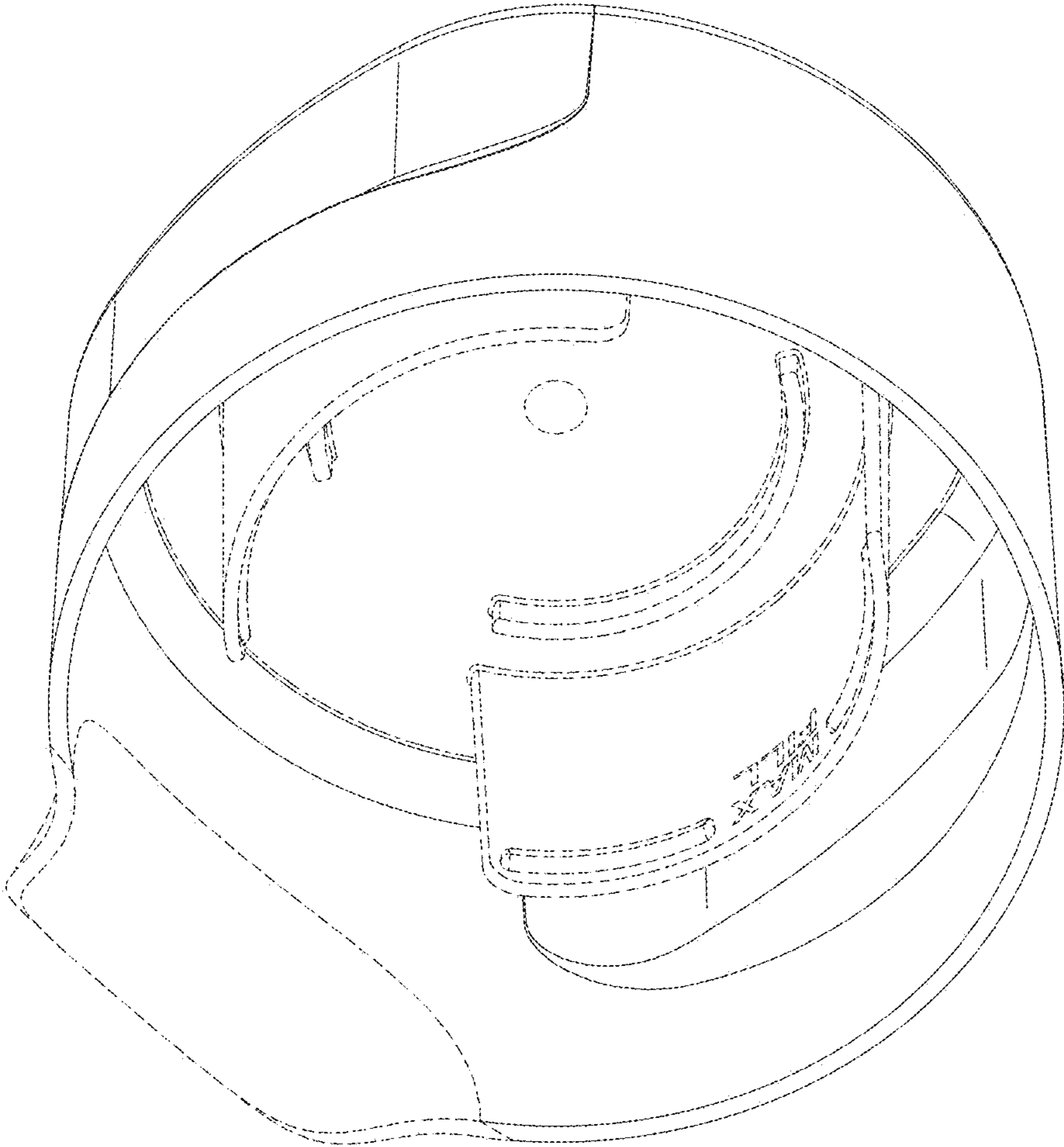


FIG.4

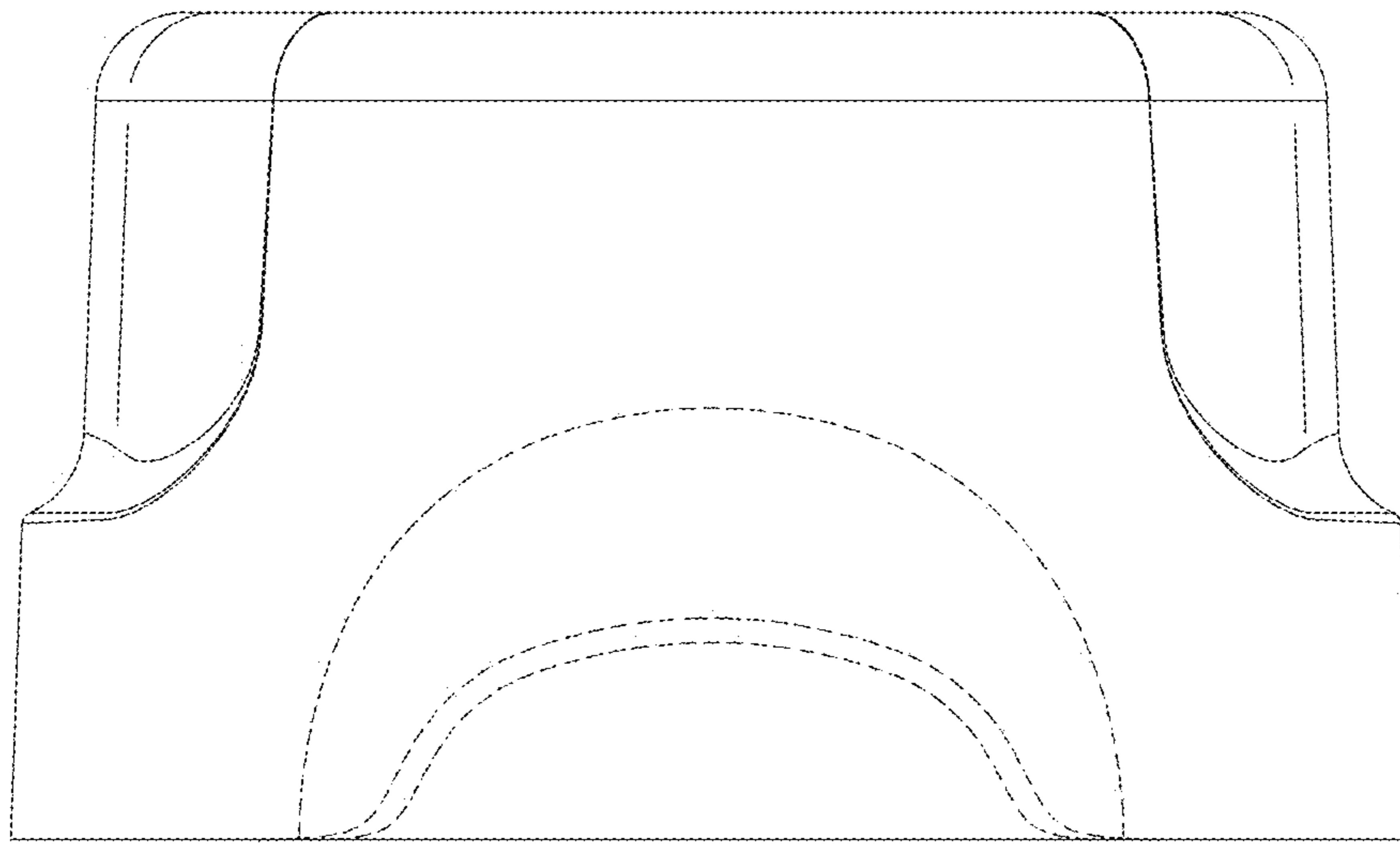


FIG. 5

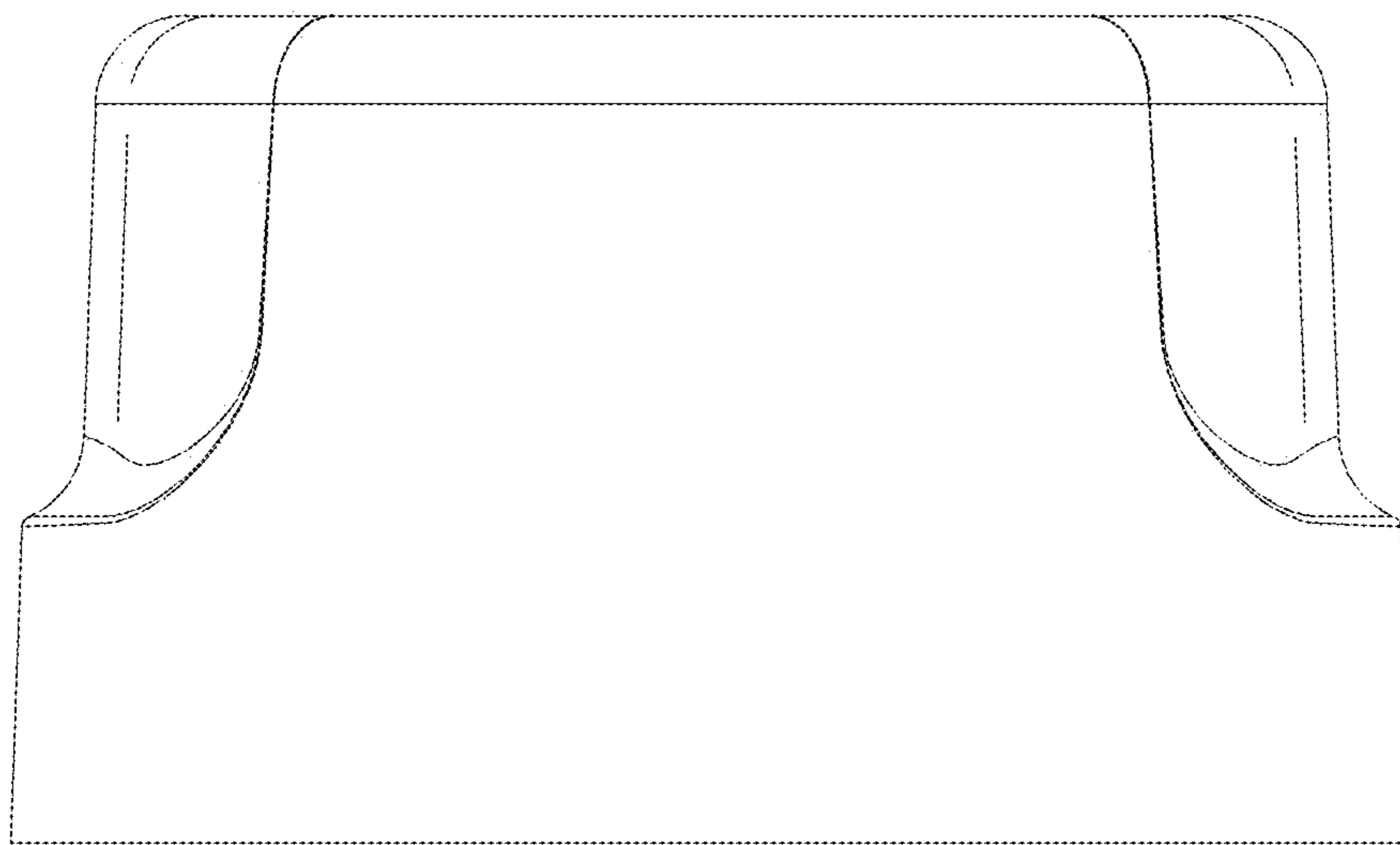


FIG. 6

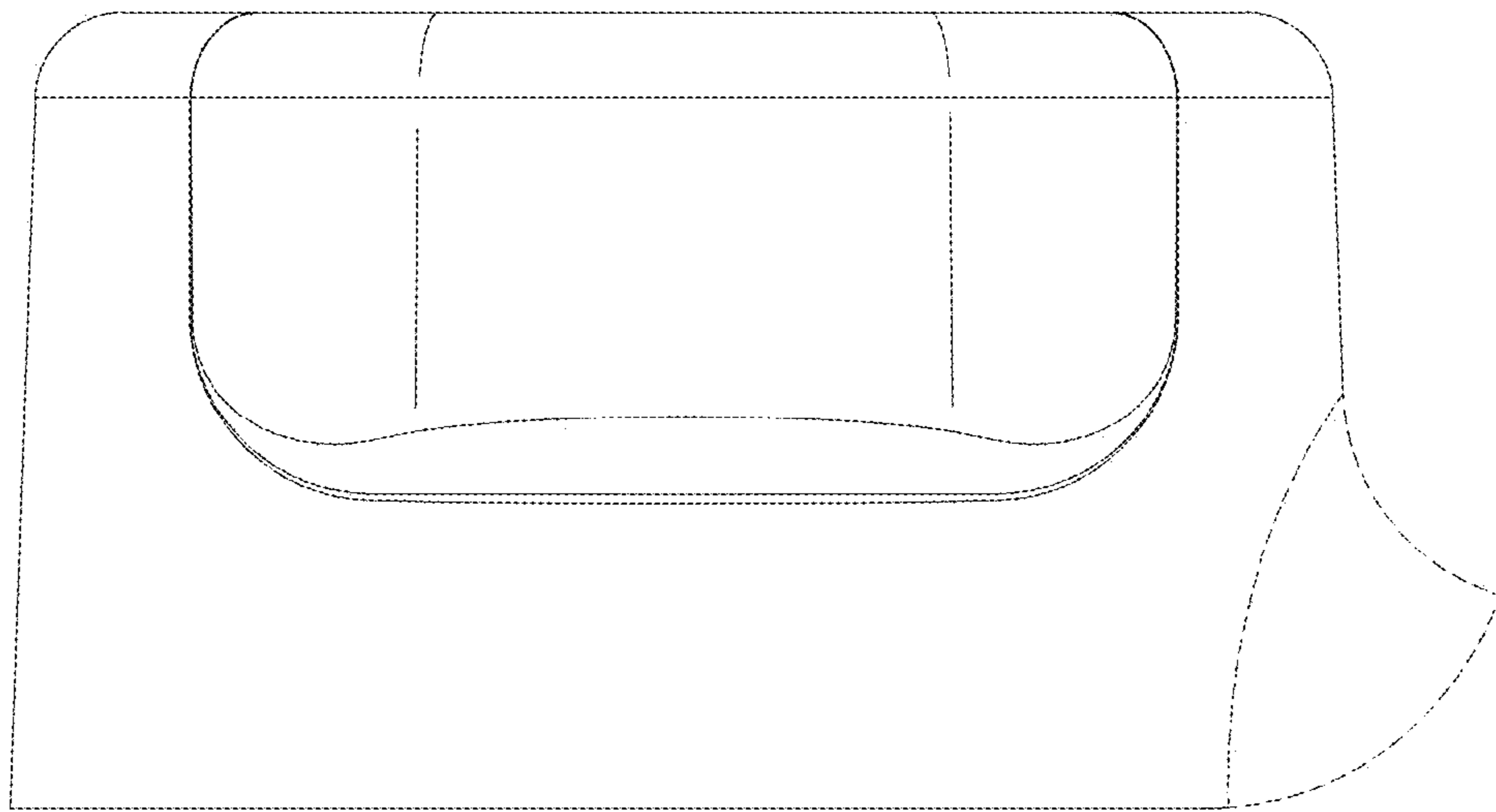


FIG.7

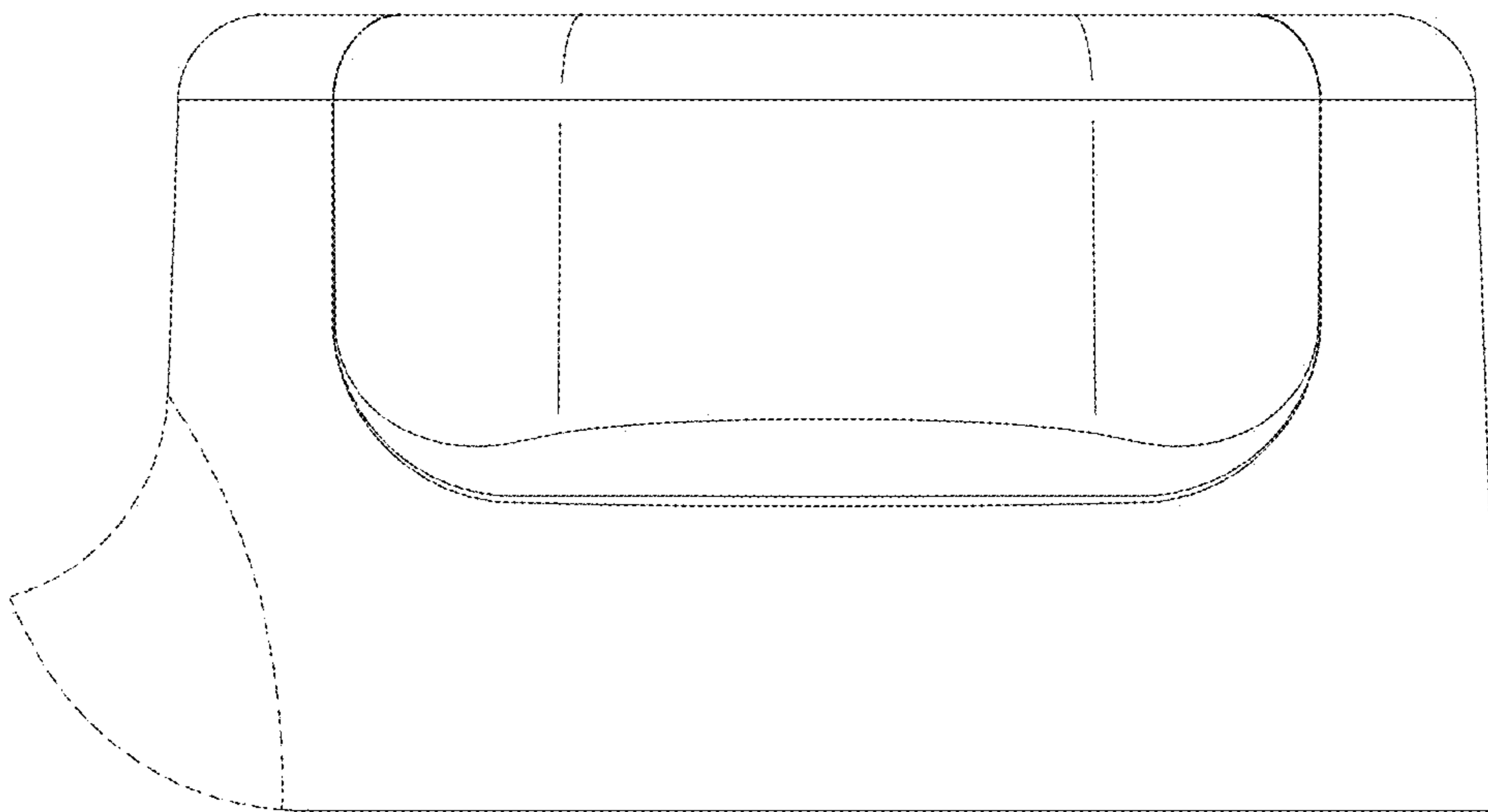


FIG.8



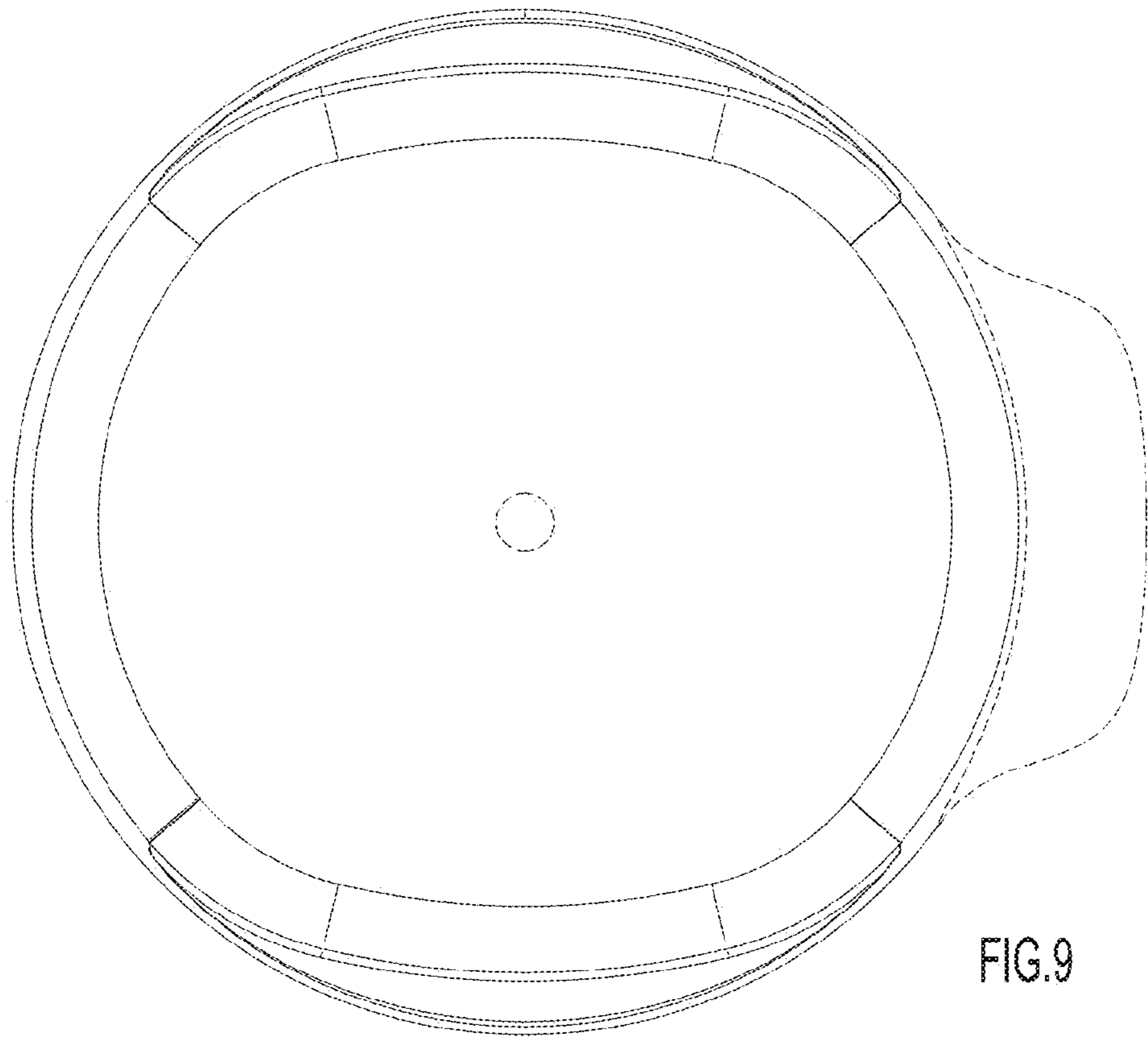


FIG.9

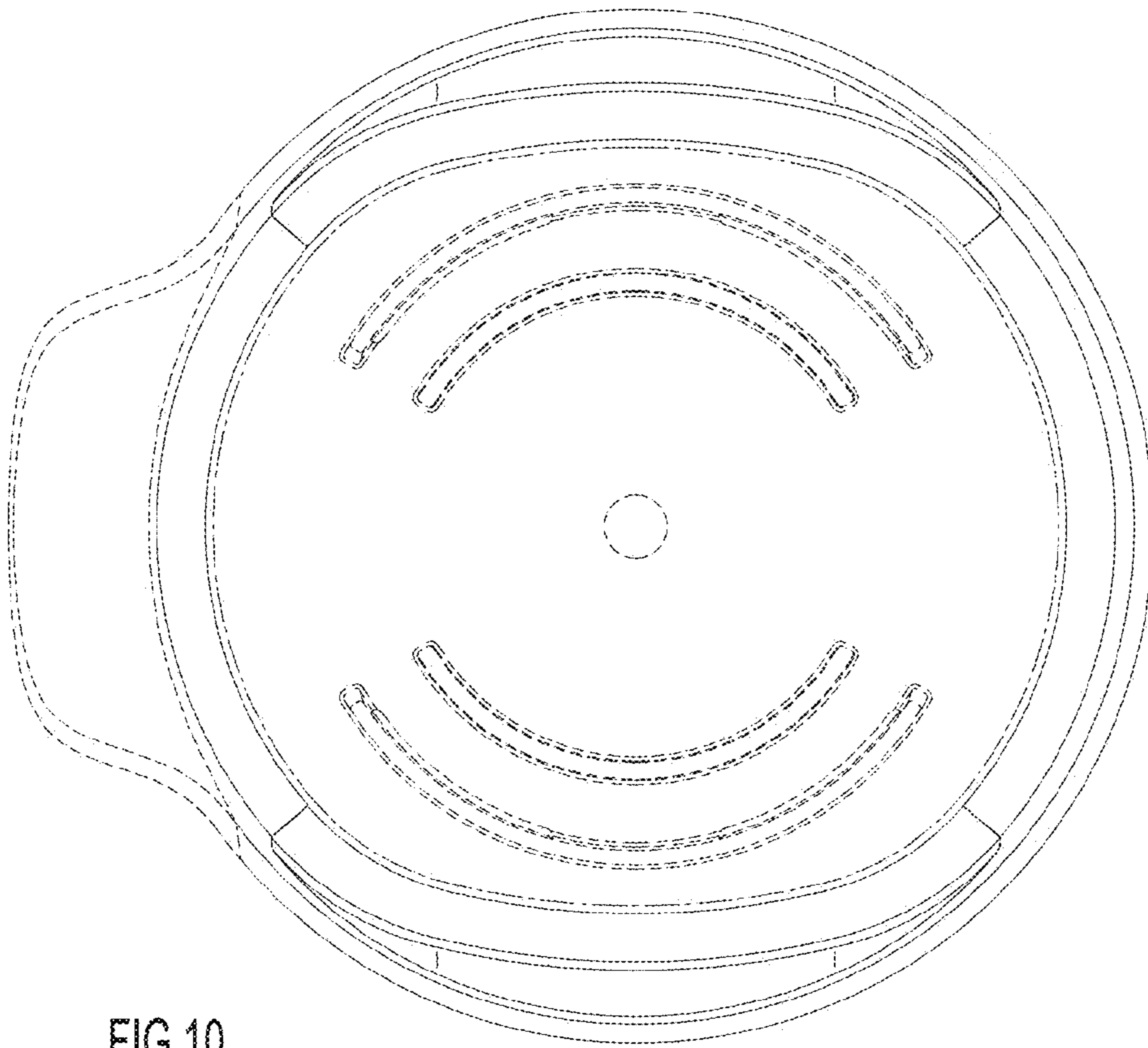


FIG.10

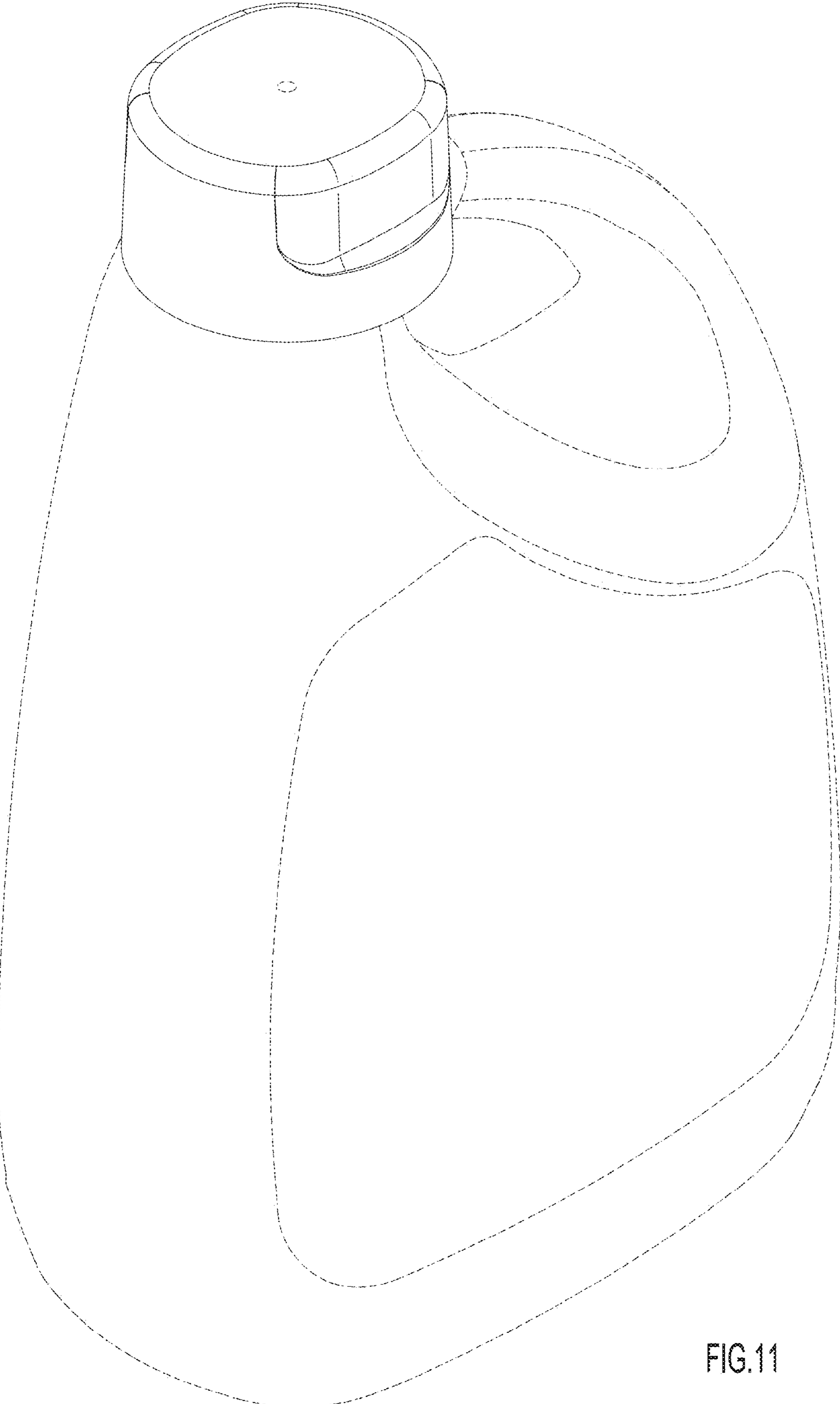


FIG.11

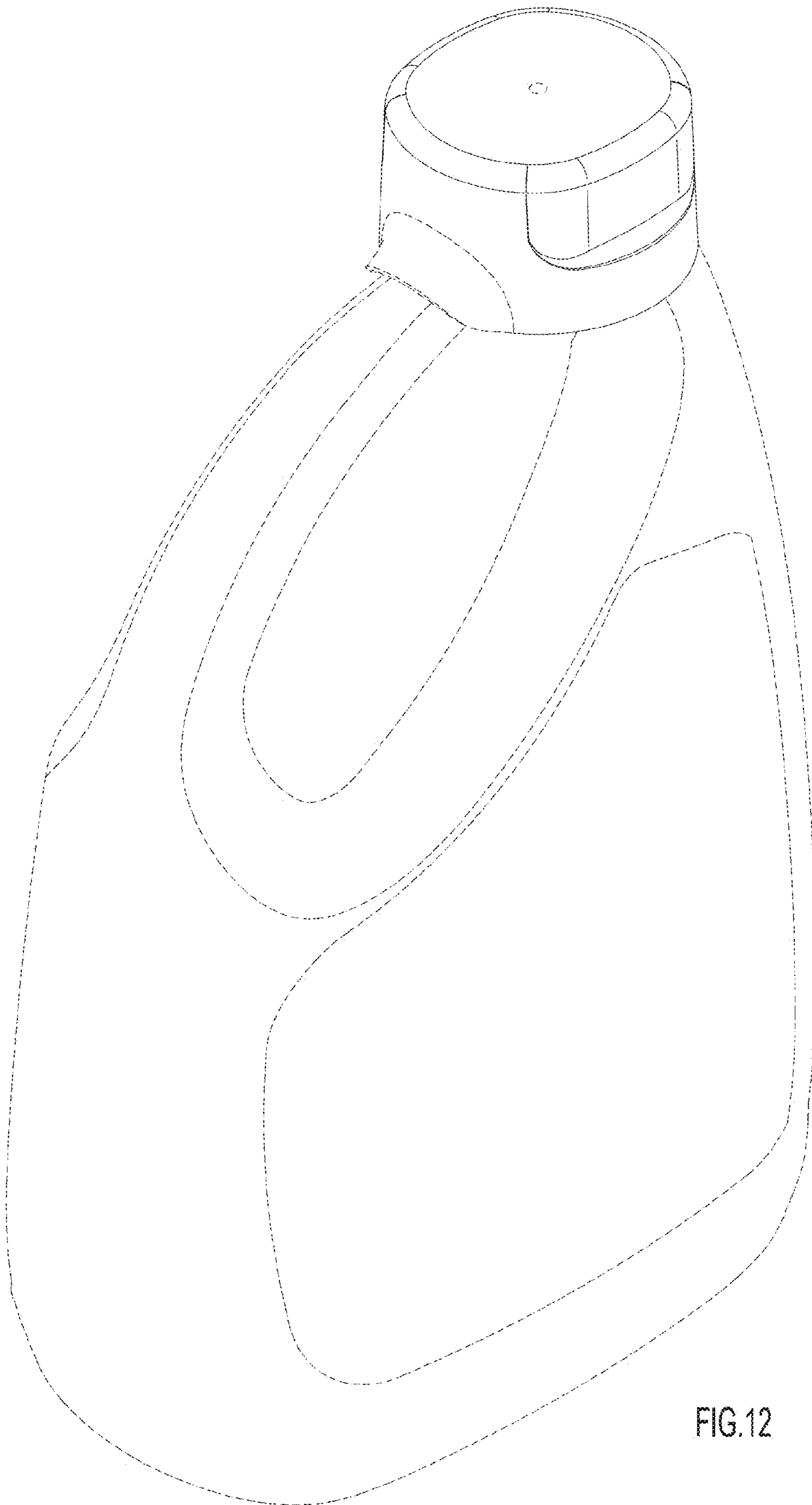


FIG. 12