



US0D1041276S

(12) **United States Design Patent**
Zhuansun et al.

(10) **Patent No.:** **US D1,041,276 S**

(45) **Date of Patent:** **** Sep. 10, 2024**

(54) **WIRE CUTTER**

(71) Applicant: **Xuzhou Wanzhuo Hardware Tools Manufacturing Co., LTD, Xuzhou (CN)**

(72) Inventors: **Xianli Zhuansun, Huaibei (CN); Chenggang Zhang, Huaibei (CN)**

(73) Assignee: **Xuzhou Wanzhuo Hardware Tools Manufacturing Co., LTD, Xuzhou (CN)**

(**) Term: **15 Years**

(21) Appl. No.: **29/939,595**

(22) Filed: **Apr. 28, 2024**

(30) **Foreign Application Priority Data**

Mar. 7, 2024 (CN) 202430115119.8

(51) **LOC (14) Cl.** **08-05**

(52) **U.S. Cl.**
USPC **D8/55**

(58) **Field of Classification Search**
USPC D8/4, 5, 14, 51-60, 105, 107
CPC H02G 1/1207; B26B 17/02; B25B 7/04;
B25F 1/003
See application file for complete search history.

(56) **References Cited**

U.S. PATENT DOCUMENTS

D358,313 S * 5/1995 Czarniecki D8/52
D369,534 S * 5/1996 Liou D8/55

D449,501 S * 10/2001 Lamond D8/58
D543,079 S 5/2007 Sanchez et al.
D611,791 S * 3/2010 Brands D8/52
D620,773 S 8/2010 Castro
D650,649 S * 12/2011 Groten D8/52
D762,434 S * 8/2016 Christopher D8/52
D833,836 S * 11/2018 Li D8/52
D859,111 S * 9/2019 Zhang D8/52
D893,274 S 8/2020 Li
11,027,399 B2 * 6/2021 Hoppe B25B 7/22
D978,648 S * 2/2023 Tang D8/52
11,911,923 B2 * 2/2024 Panosian B25G 1/102

* cited by examiner

Primary Examiner — Deanna L Pratt

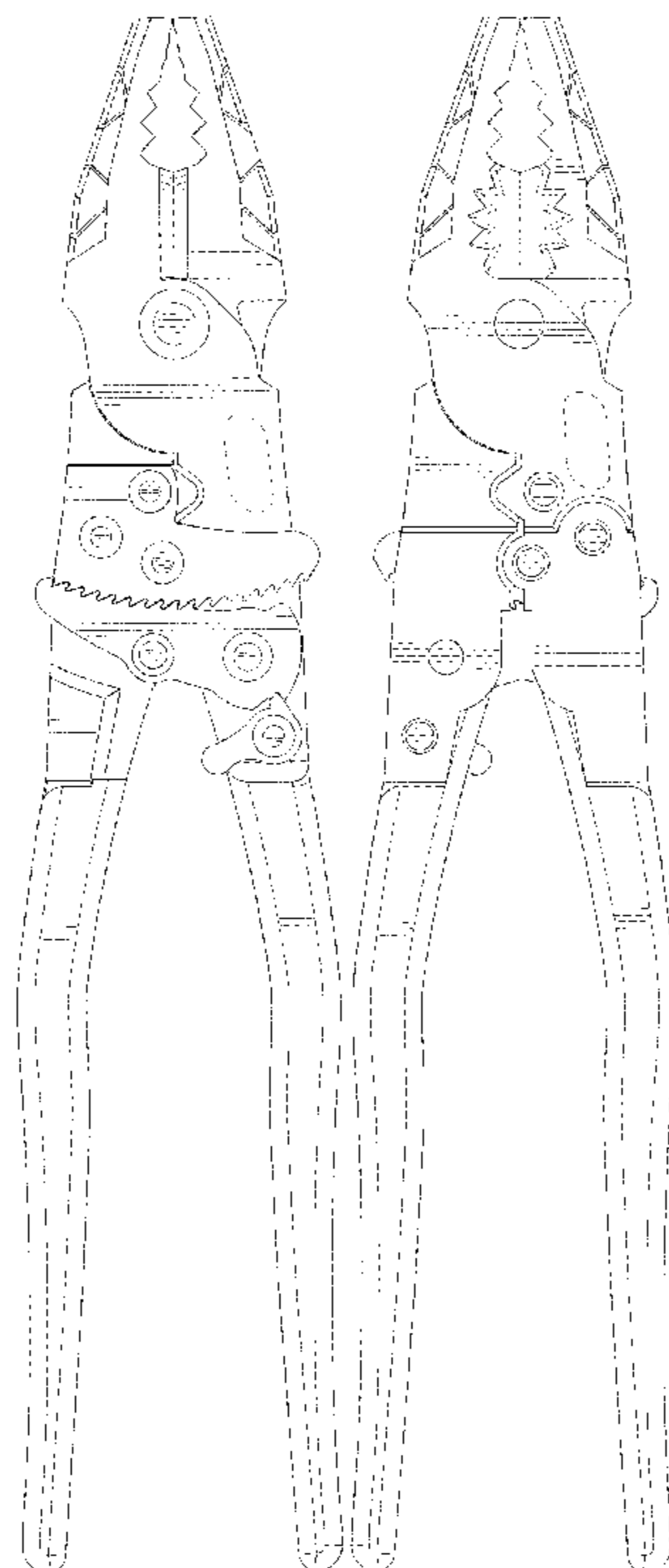
(57) **CLAIM**

The ornamental design for a wire cutter, as shown and described.

DESCRIPTION

FIG. 1 is a first perspective view of a wire cutter showing our new design;
FIG. 2 is a second perspective view thereof;
FIG. 3 is a front view thereof;
FIG. 4 is a back view thereof;
FIG. 5 is a left side view thereof;
FIG. 6 is a right side view thereof;
FIG. 7 is a top view thereof; and,
FIG. 8 is a bottom view thereof.
The broken lines shown in the drawings depict portions of the wire cutter that form no part of the claimed design.

1 Claim, 8 Drawing Sheets



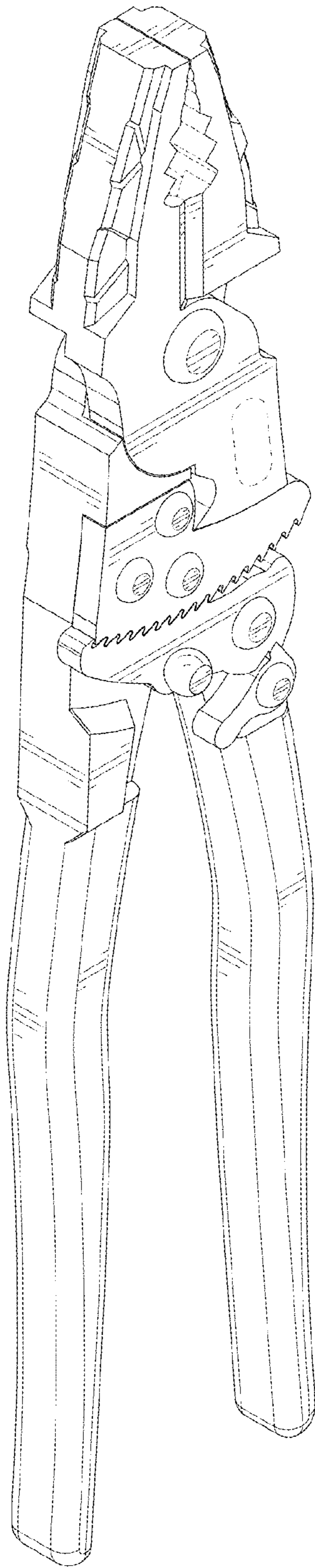


FIG. 1

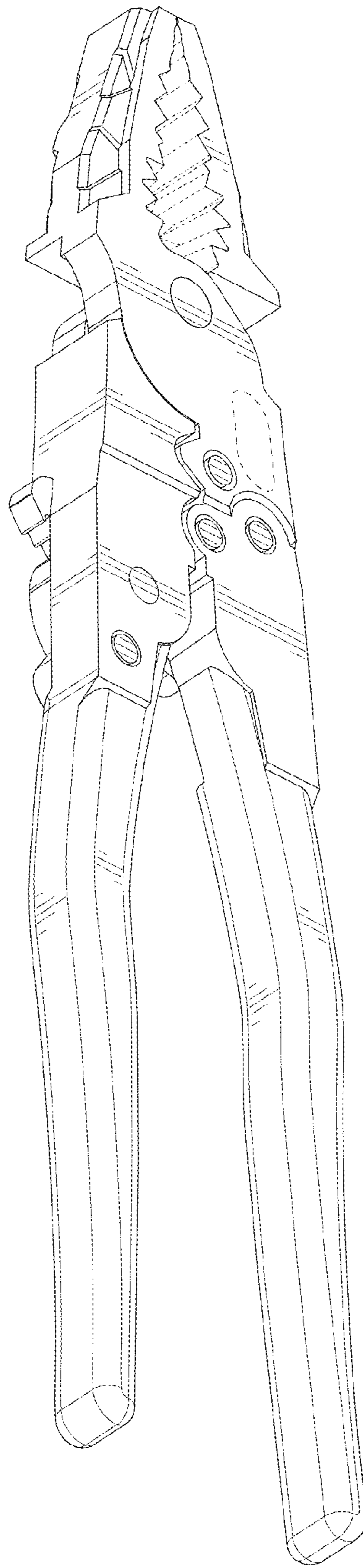


FIG. 2

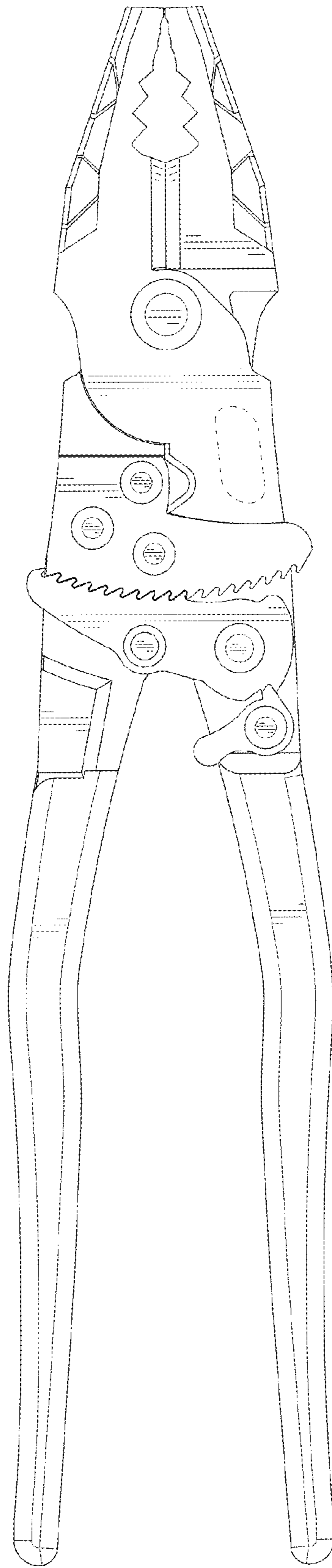


FIG. 3

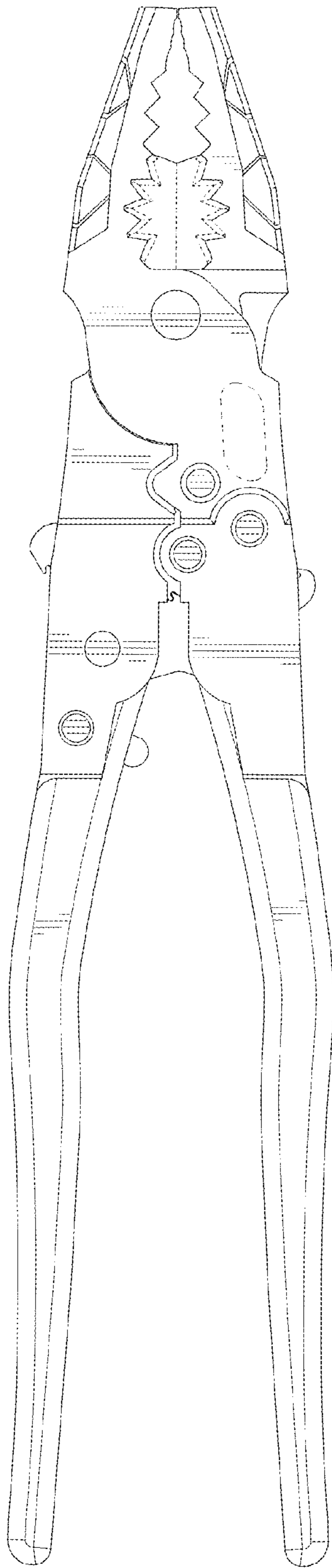


FIG. 4

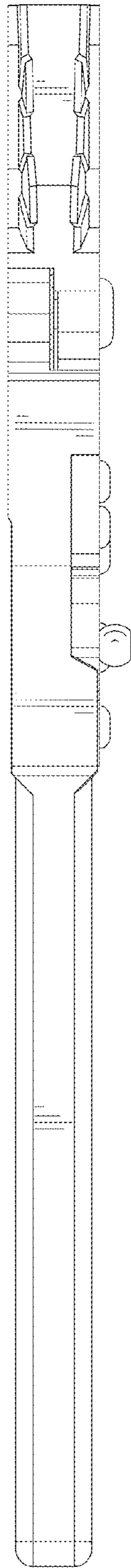


FIG. 5

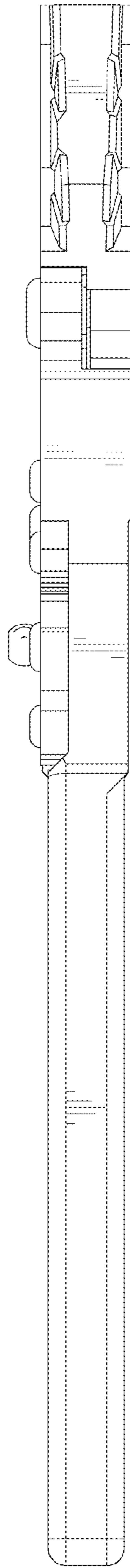


FIG. 6

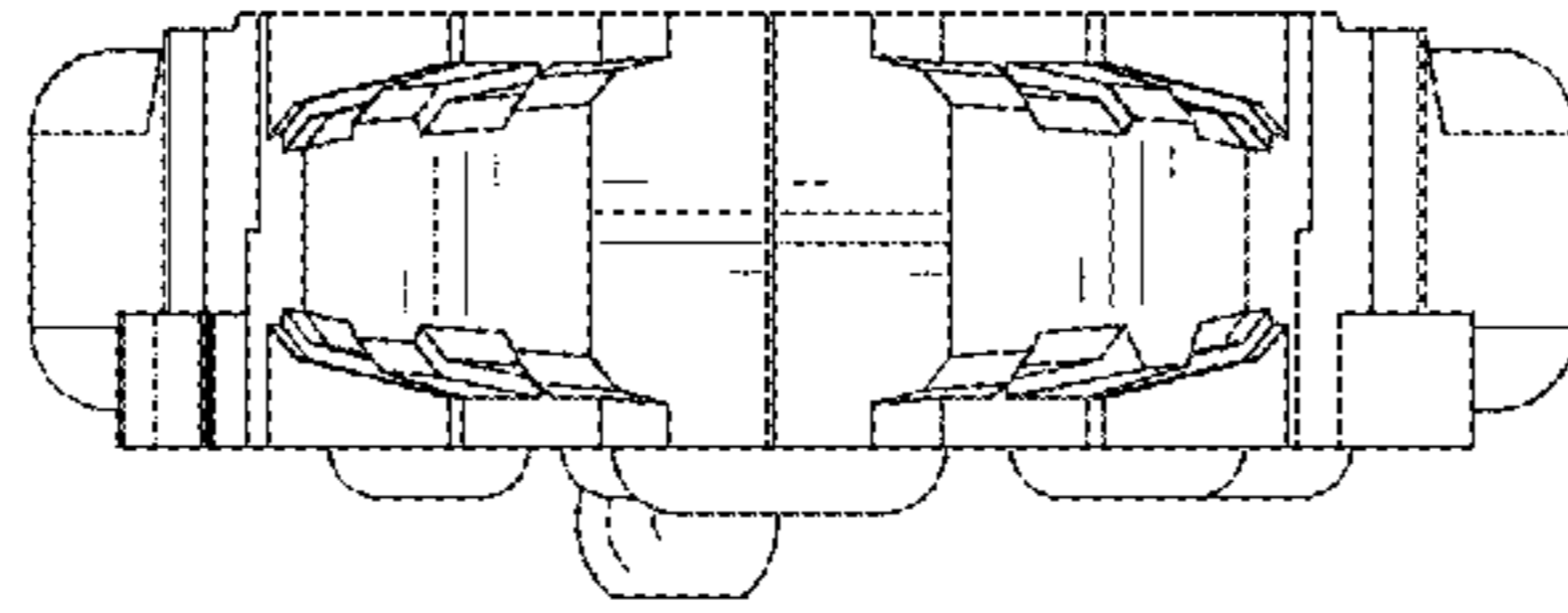


FIG. 7

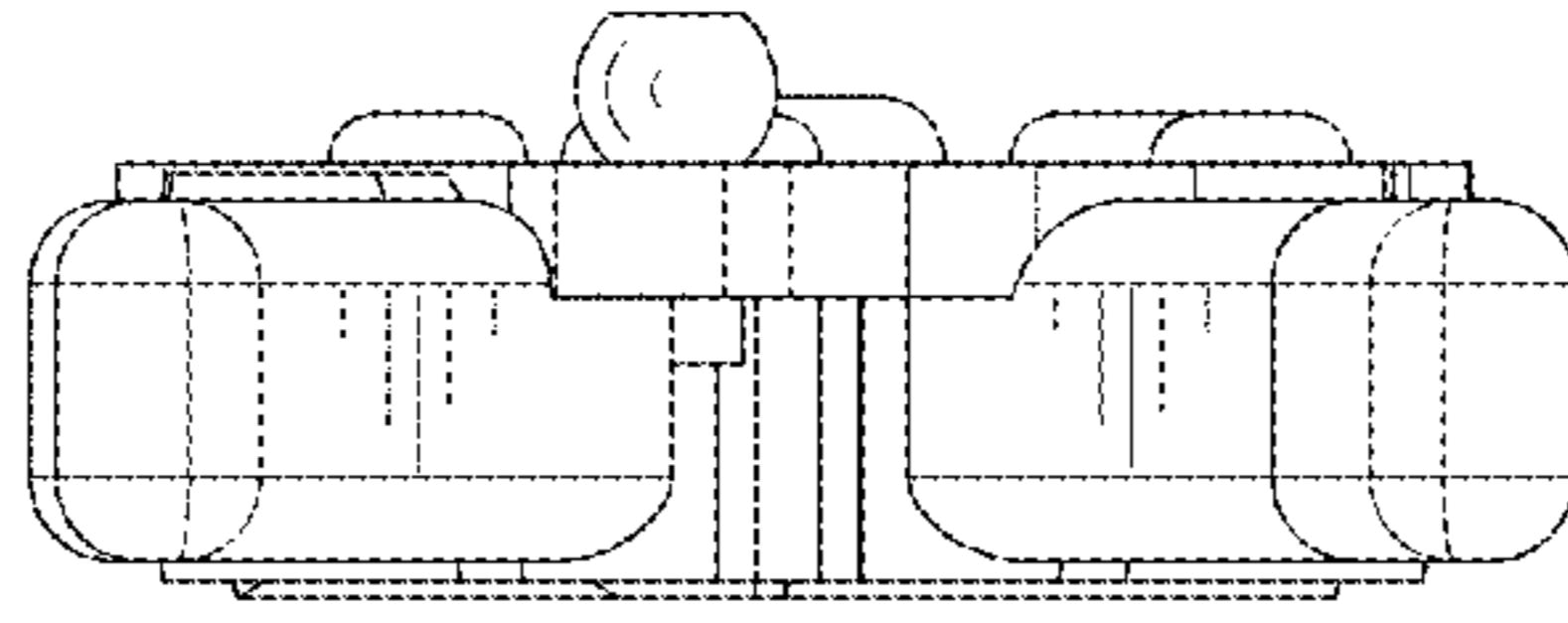


FIG. 8