



US0D1041242S

(12) **United States Design Patent** (10) **Patent No.:** **US D1,041,242 S**
Weng (45) **Date of Patent:** **** Sep. 10, 2024**

(54) **TUMBLER DRUM**

(71) Applicant: **Chao Jing Weng**, Alexandria, LA (US)

(72) Inventor: **Chao Jing Weng**, Alexandria, LA (US)

(**) Term: **15 Years**

(21) Appl. No.: **29/840,204**

(22) Filed: **May 26, 2022**

Related U.S. Application Data

(63) Continuation-in-part of application No. 17/712,367, filed on Apr. 4, 2022.

(51) **LOC (14) Cl.** **31-00**

(52) **U.S. Cl.**
USPC **D7/412; D7/381**

(58) **Field of Classification Search**

USPC D7/372, 376-386, 401.2, 412, 510, 512, D7/665-666, 669, 672, 678-679, D7/693-694; D15/124; D34/1

CPC A01F 2015/07; A01F 2015/077; A01F 2015/0775; A23N 1/00; A23N 1/02; A47J 19/00; A47J 19/005; A47J 19/02; A47J 19/025; A47J 19/04; A47J 19/06; A47J 42/32; A47J 42/34; A47J 42/36; A47J 43/044; A47J 43/25; A47J 43/255; B01F 7/26; B01F 7/28; B01F 11/0082; B01F 13/04; B02C 13/00; B02C 13/02; B02C 13/10; B02C 18/06; B02C 18/26; B02C 18/2291; B02C 18/30; B02C 18/301; B02C 18/302; B02C 18/304; B02C 18/305; B02C 25/00; B02C 2002/00; B02C 2013/00; B02C 2013/14; B02C 2013/145; B02C 2013/18; B02C 2013/1807; B02C 2013/1857; B02C 2013/1864; B30B 9/00; B30B 9/16; B30B 9/18; B30B 9/20; B30B 9/26; B30B 9/205; B30B 9/207; A45F 3/20; B65F 1/02; B24B 31/02

See application file for complete search history.

(56) **References Cited**

U.S. PATENT DOCUMENTS

1,508,345 A * 9/1924 Lupo, Jr. B24B 31/02
451/328
3,861,654 A * 1/1975 Singleton B24B 31/02
220/213

(Continued)

FOREIGN PATENT DOCUMENTS

CN 203986017 12/2014
CN 204123421 1/2015
EP 1997391 A2 12/2008

OTHER PUBLICATIONS

STX International Meat Vegetable Vacuum Tumbler Marinator. Date First Available on Amazon.com Jul. 7, 2015. <https://www.amazon.com/STX-International-STX-1000-CE-Vegetable-Tenderizer/dp/B0115CGX4I/ref> (Year: 2015).*

(Continued)

Primary Examiner — Ricky Pham

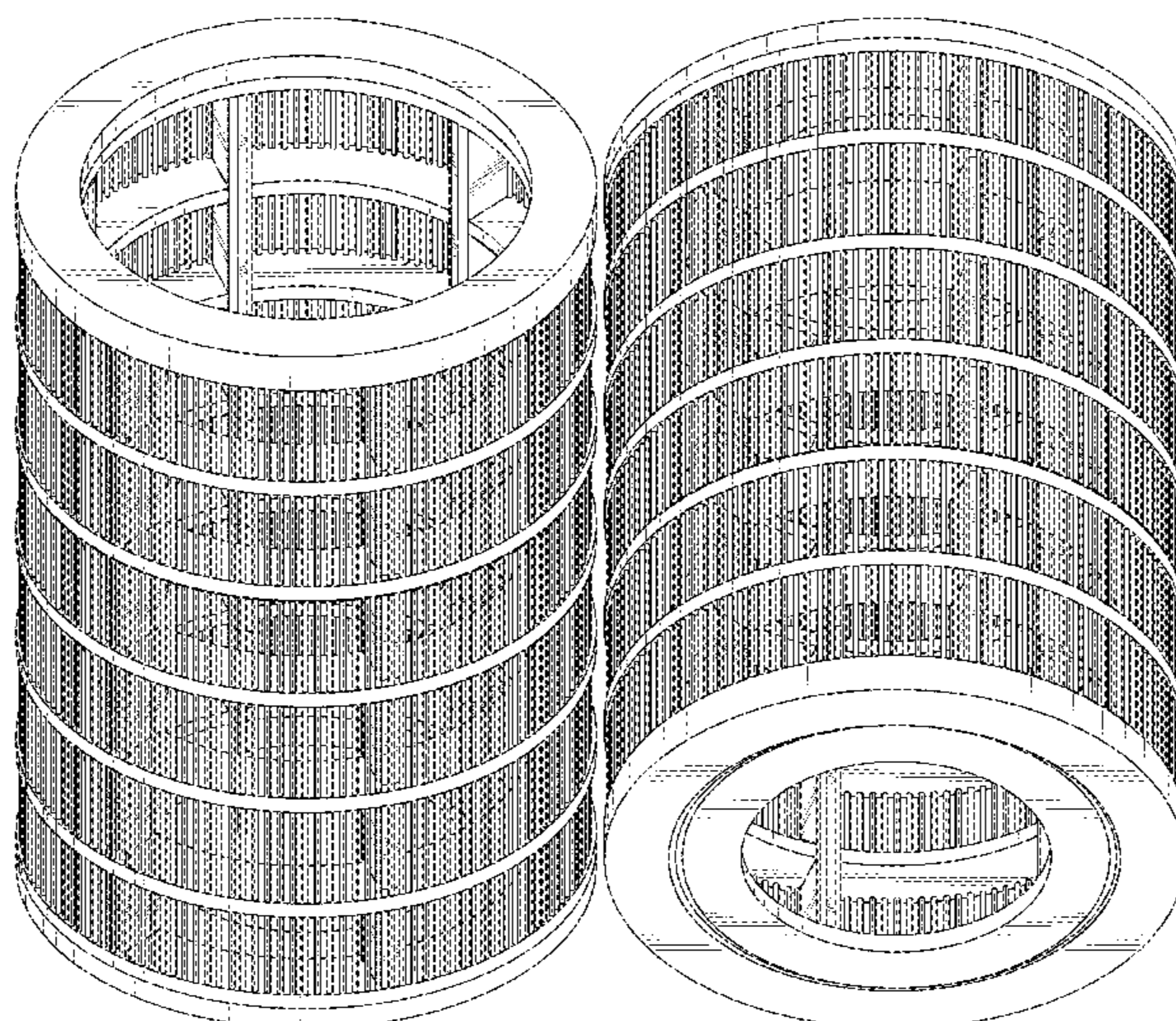
(57) **CLAIM**

The ornamental design for a tumbler drum, as shown and described.

DESCRIPTION

FIG. 1 is a front-top perspective view of a tumbler drum showing my new design;
FIG. 2 is a front-bottom perspective view thereof;
FIG. 3 is a front elevational view thereof;
FIG. 4 is a rear elevational view thereof;
FIG. 5 is a left elevational view thereof;
FIG. 6 is a right elevational view thereof;
FIG. 7 is a top plan view thereof; and,
FIG. 8 is a bottom plan view thereof.
The broken lines in the drawings illustrate portions of the tumbler drum which form no part of the claimed design.

1 Claim, 8 Drawing Sheets



(56)

References Cited

U.S. PATENT DOCUMENTS

T101,801 I4 * 5/1982 Bierschbach 33/562
D710,650 S * 8/2014 Blum D7/510
D919,219 S * 5/2021 Greenspon D34/1
D940,506 S * 1/2022 Singlaub D7/532
D963,412 S * 9/2022 Yeh D7/510
D973,732 S * 12/2022 Zou D15/124
D975,147 S * 1/2023 Zhao D15/124
2013/0277364 A1* 10/2013 Kusuma A45F 3/20
220/8
2013/0284753 A1* 10/2013 Kellmann B65F 1/02
220/666

OTHER PUBLICATIONS

Green Bean Head And End Cutting Machine, Retrieved from Internet, Retrieved on Jun. 25, 2021 <URL: <https://www.gelgoog.cn/product/vegetable-peeling/green-bean-head-and-end-cutting-machine.html>>.

* cited by examiner

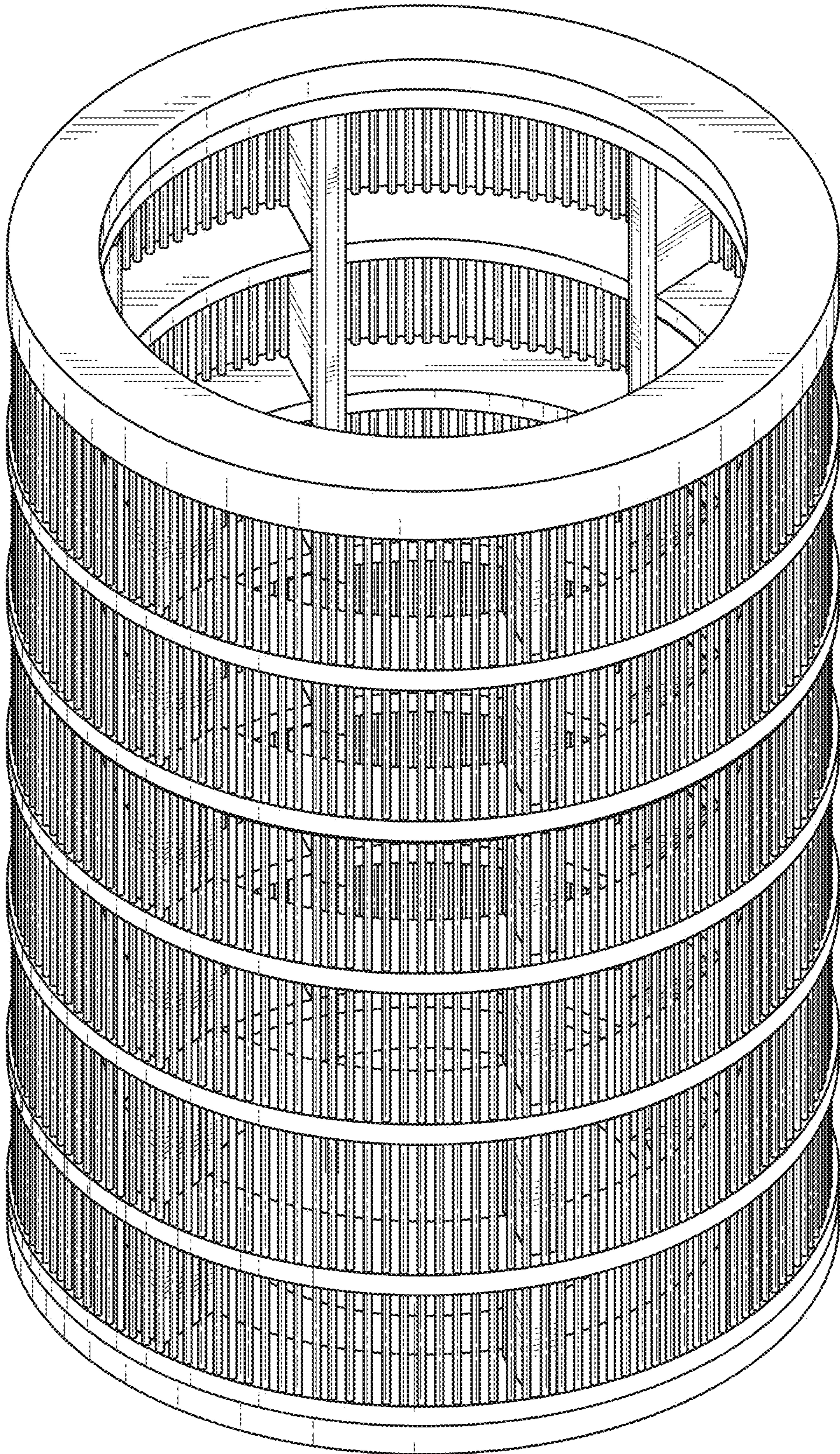


FIG. 1

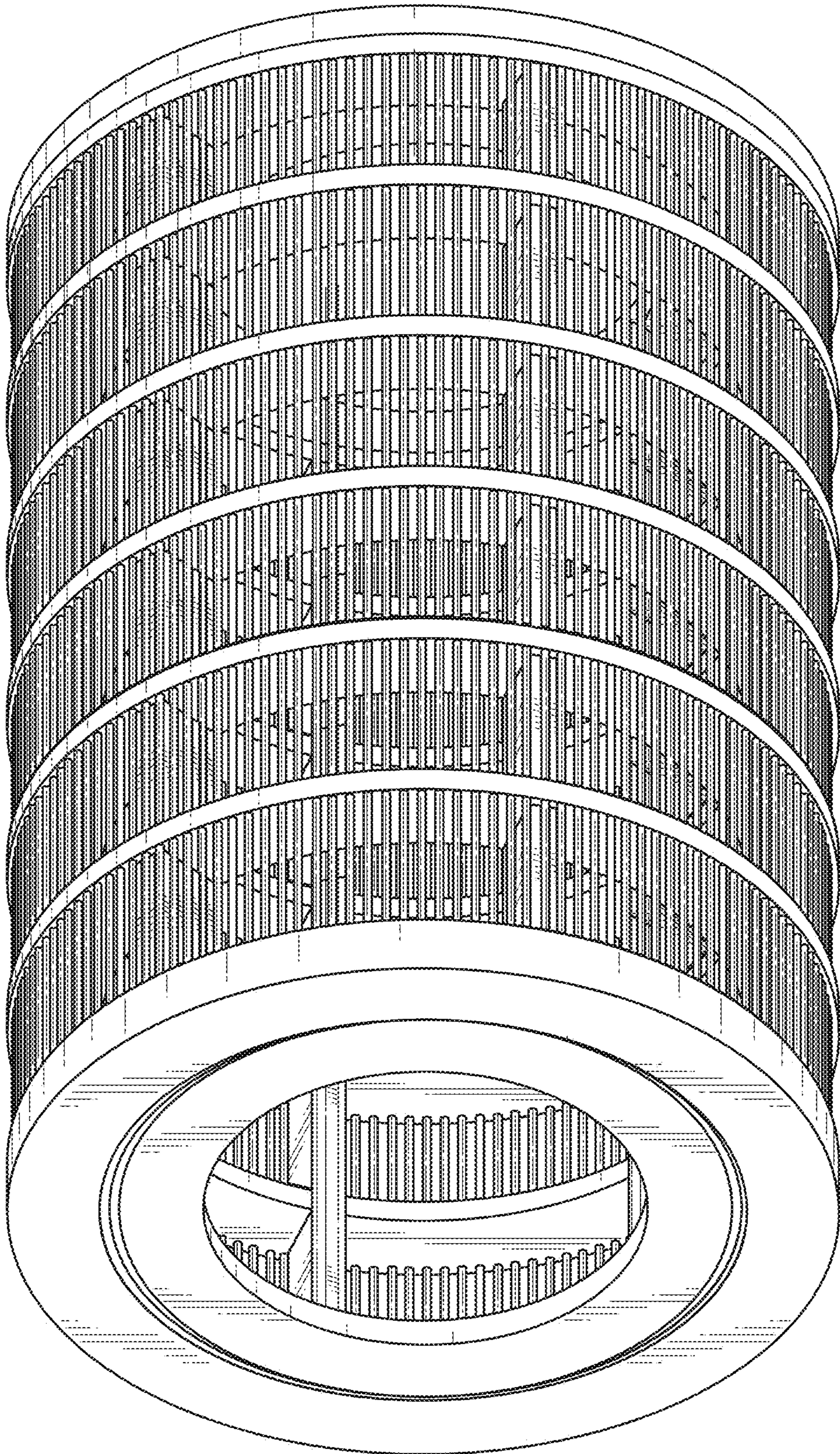


FIG. 2

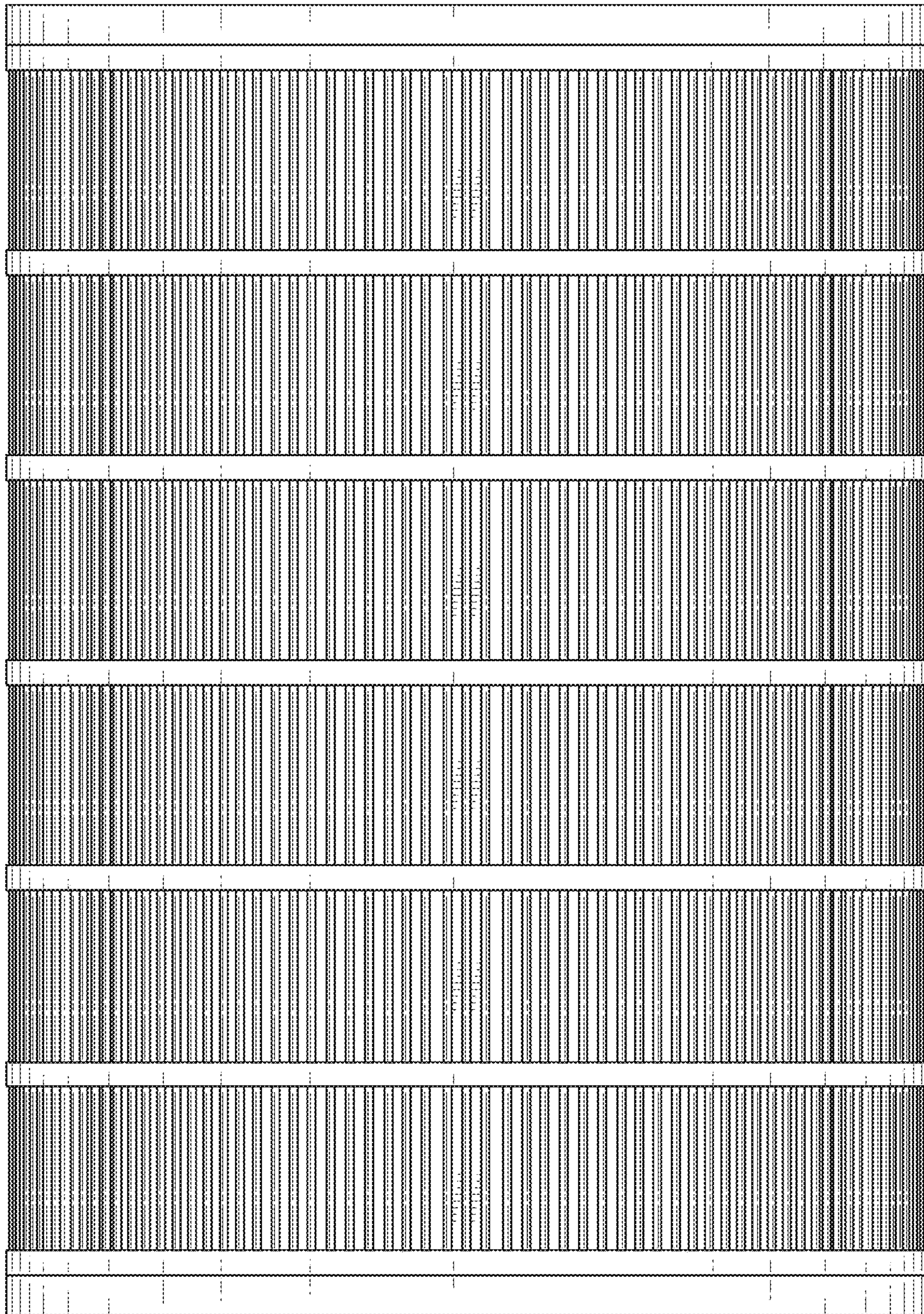


FIG. 3

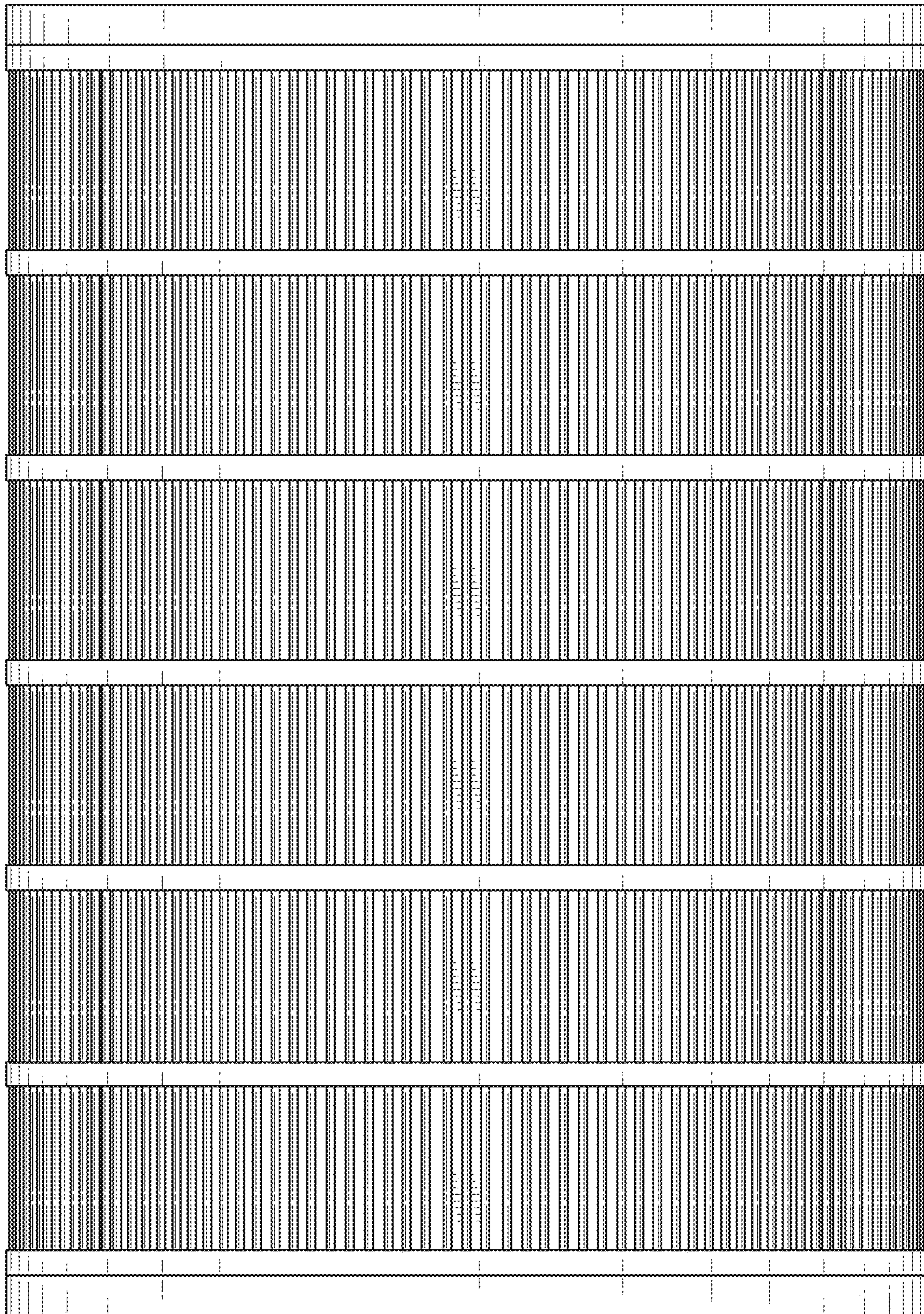


FIG. 4

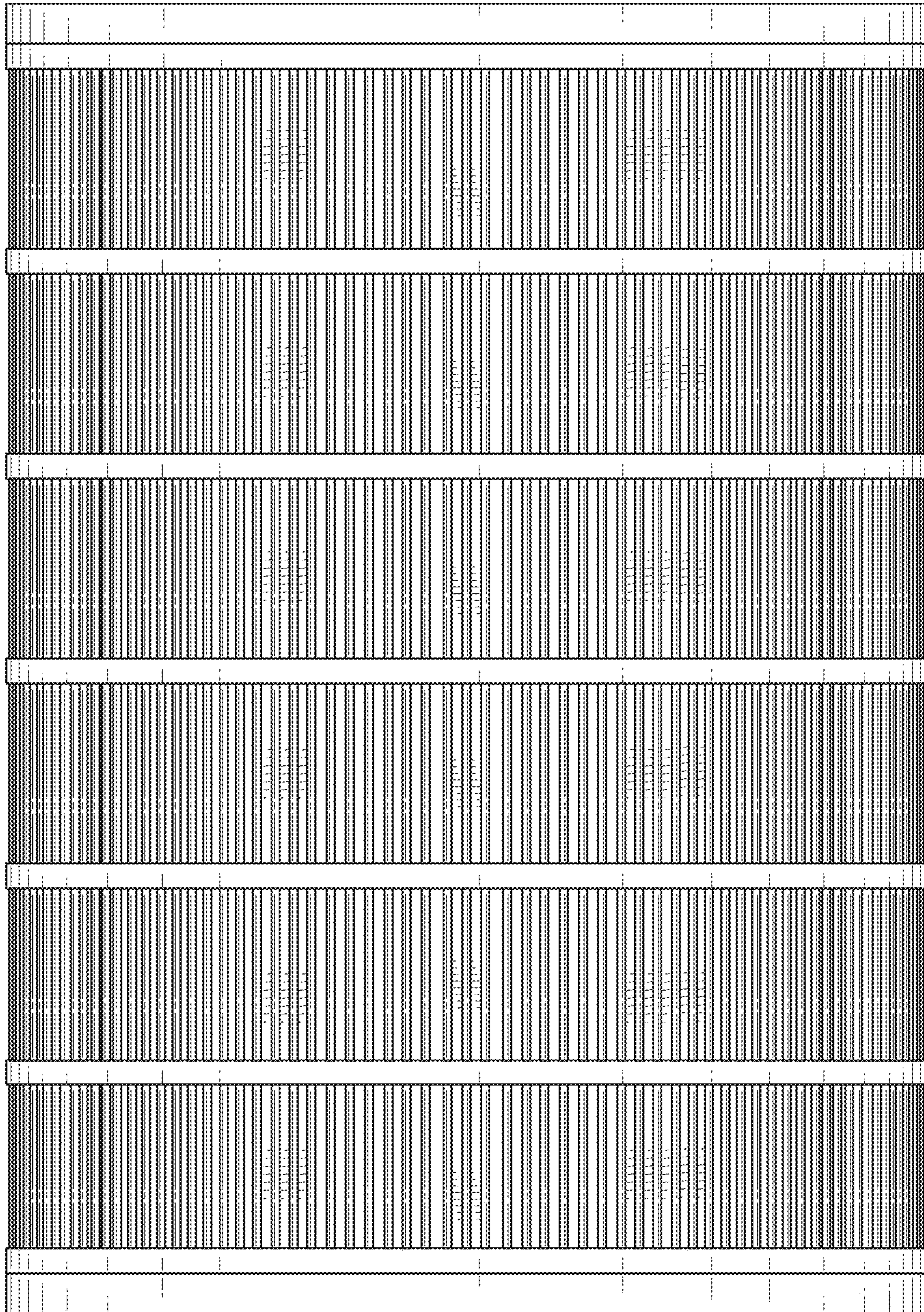


FIG. 5

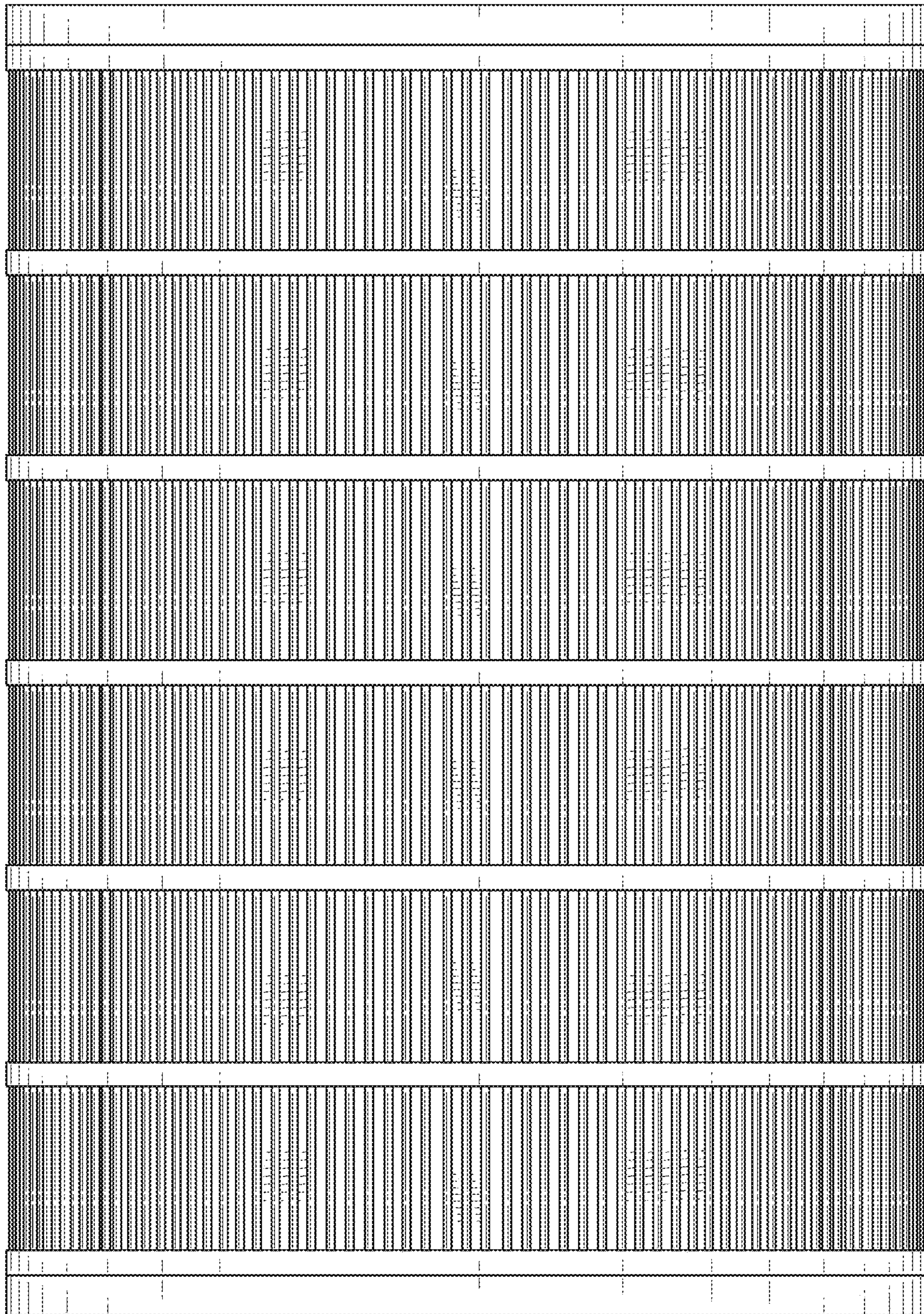


FIG. 6

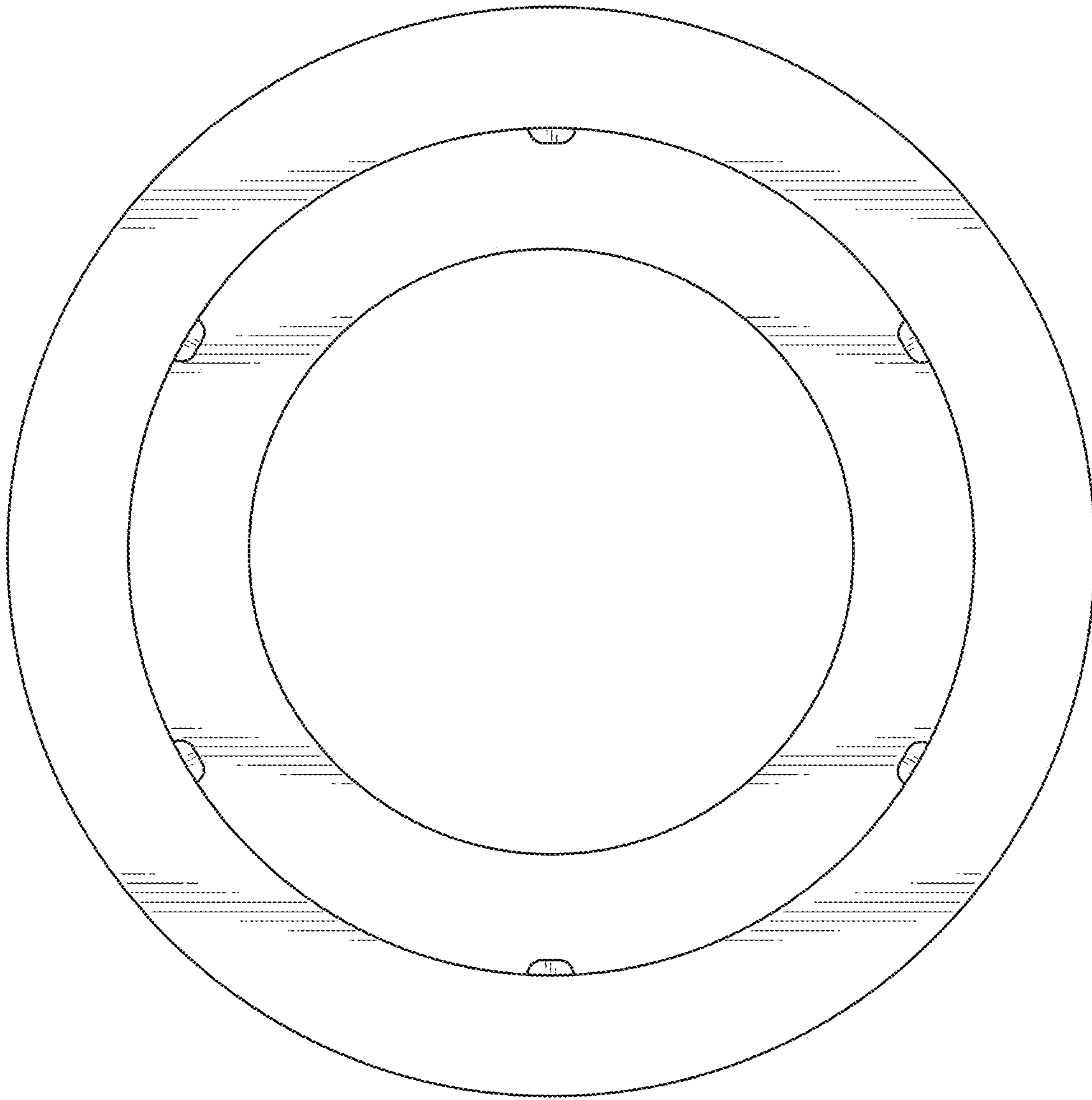


FIG. 7

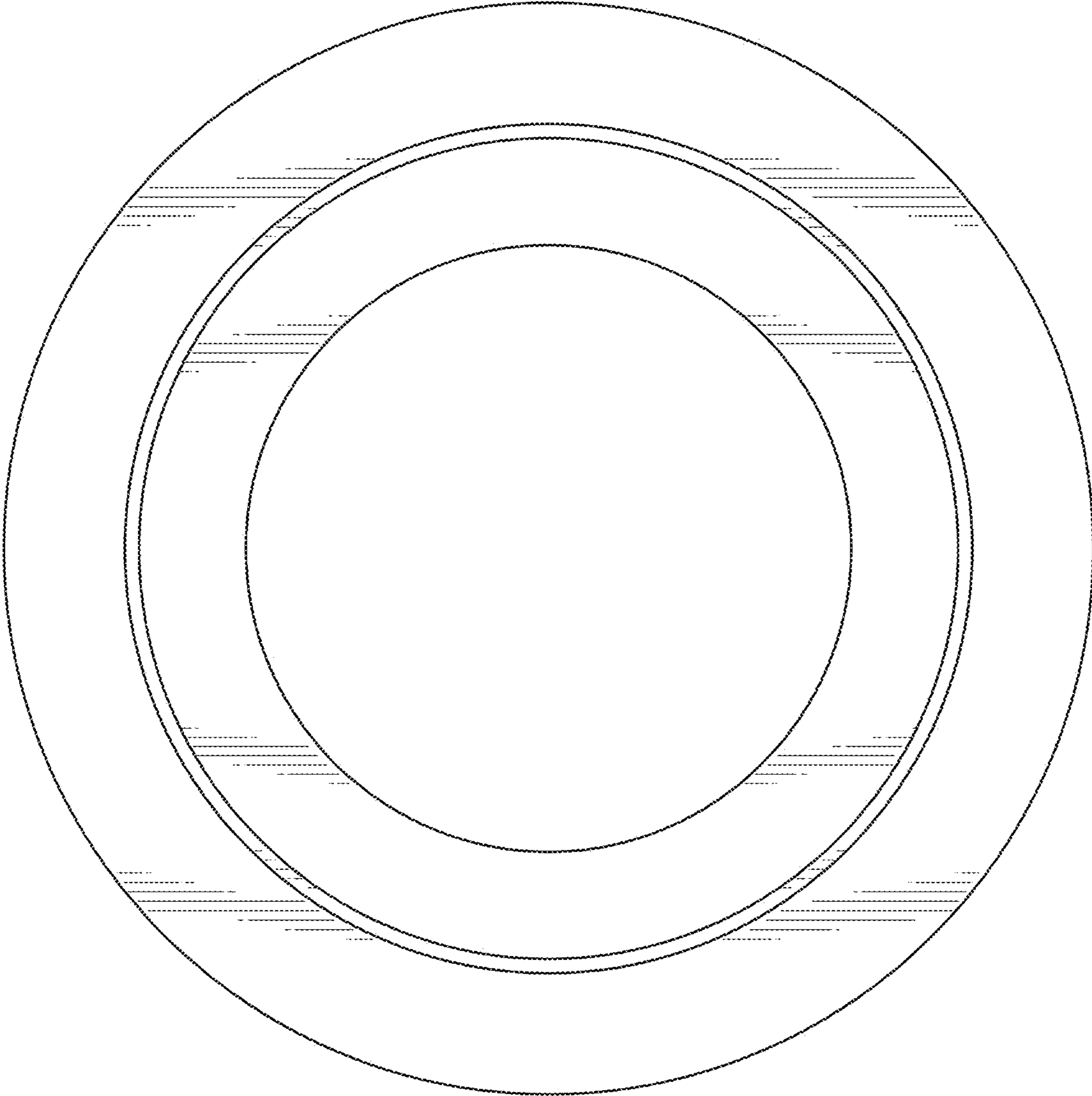


FIG. 8