



US0D1041229S

(12) **United States Design Patent** (10) **Patent No.:** **US D1,041,229 S**  
**Zhang** (45) **Date of Patent:** **\*\* Sep. 10, 2024**

(54) **HEATING STOVE**

D980,664 S \* 3/2023 Huang ..... D23/343  
D981,779 S \* 3/2023 Huang ..... D23/343  
D997,624 S \* 9/2023 Fan ..... D7/332

(71) Applicant: **Jie Zhang**, Changde (CN)

(Continued)

(72) Inventor: **Jie Zhang**, Changde (CN)

**FOREIGN PATENT DOCUMENTS**

(\*\*) Term: **15 Years**

EM 008886071-0001 \* 3/2022  
EM 008886071-0002 \* 3/2022

(21) Appl. No.: **29/832,192**

**OTHER PUBLICATIONS**

(22) Filed: **Mar. 25, 2022**

[Gasone], available in amazon.com, announced 2023 [online], [site visited Apr. 29, 2024], Internet URL: (Year: 2023).\*

(30) **Foreign Application Priority Data**

(Continued)

Mar. 14, 2022 (EM) ..... 008886071-0002

(51) **LOC (14) Cl.** ..... **23-03**

*Primary Examiner* — George J Ulsh

(52) **U.S. Cl.**

*Assistant Examiner* — Jihyung Yoon

USPC ..... **D23/332**

(74) *Attorney, Agent, or Firm* — Jeenam Park

(58) **Field of Classification Search**

(57) **CLAIM**

USPC ..... D23/329, 335, 336, 338, 339, 340, 341,  
D23/342, 343, 344, 347, 348, 350, 386,  
D23/398, 401, 406

The ornamental design for a heating stove, as shown and described.

CPC ..... A01K 31/20; A01K 31/18; F24C 3/14;  
F24C 15/10; F24C 5/20; F24C 1/16;  
F24C 15/12; F24C 15/36; F24C 3/042;  
F24C 15/02; F24C 15/001; F24C 15/023;  
F24C 3/002; F24C 3/02; F24C 7/065;  
F24C 3/004; F24B 1/205; F24B 1/202;  
F24B 1/192; F24B 1/022; F24B 13/002;  
F24B 1/198

**DESCRIPTION**

See application file for complete search history.

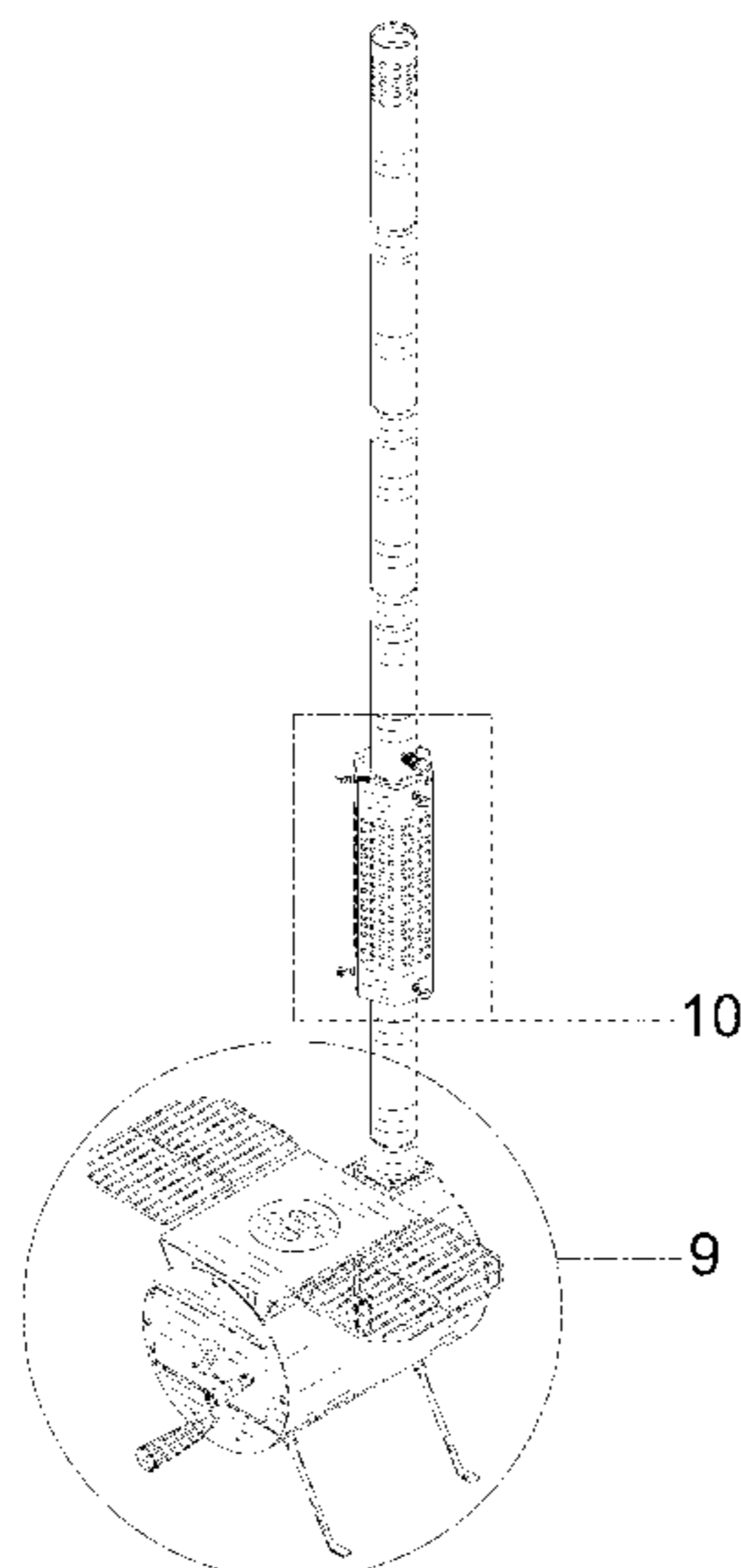
FIG. 1 is a perspective view of a heating stove, showing my new design;  
FIG. 2 is another perspective view thereof;  
FIG. 3 is a front view thereof;  
FIG. 4 is a rear view thereof;  
FIG. 5 is a left side view thereof;  
FIG. 6 is a right side view thereof;  
FIG. 7 is a top plan view thereof;  
FIG. 8 is a bottom plan view thereof;  
FIG. 9 is an enlarged view of portion of FIG. 1; and,  
FIG. 10 is another enlarged view of portion of FIG. 1.  
The dash-dash broken lines show portions of the heating stove and form no part of the claimed design. The dot-dash broken lines shown in FIGS. 1, 9 & 10 define the boundary of the enlargement area and form no part of the claimed design.

(56) **References Cited**

**1 Claim, 10 Drawing Sheets**

**U.S. PATENT DOCUMENTS**

D245,509 S \* 8/1977 Ulmer ..... D23/343  
D248,108 S \* 6/1978 Sotz ..... D23/386  
D708,002 S \* 7/2014 Cruccolini ..... D7/334  
D769,667 S \* 10/2016 Ting ..... D7/332  
D770,605 S \* 11/2016 Wu ..... D23/332  
D934,615 S \* 11/2021 Ritchie ..... D7/348  
D976,377 S \* 1/2023 Thomas ..... D7/332



(56)

**References Cited**

U.S. PATENT DOCUMENTS

D1,017,009 S \* 3/2024 Zhang ..... D23/343  
2022/0160166 A1 \* 5/2022 Zhang ..... F24B 1/028

OTHER PUBLICATIONS

[Guangshuohui], available in amazon.com, announced 2023 [online],  
[site visited Apr. 29, 2024], Internet URL: (Year: 2023).\*  
[Zorestar], available in amazon.com, announced 2023 [online], [site  
visited Apr. 29, 2024], Internet URL: (Year: 2023).\*

\* cited by examiner

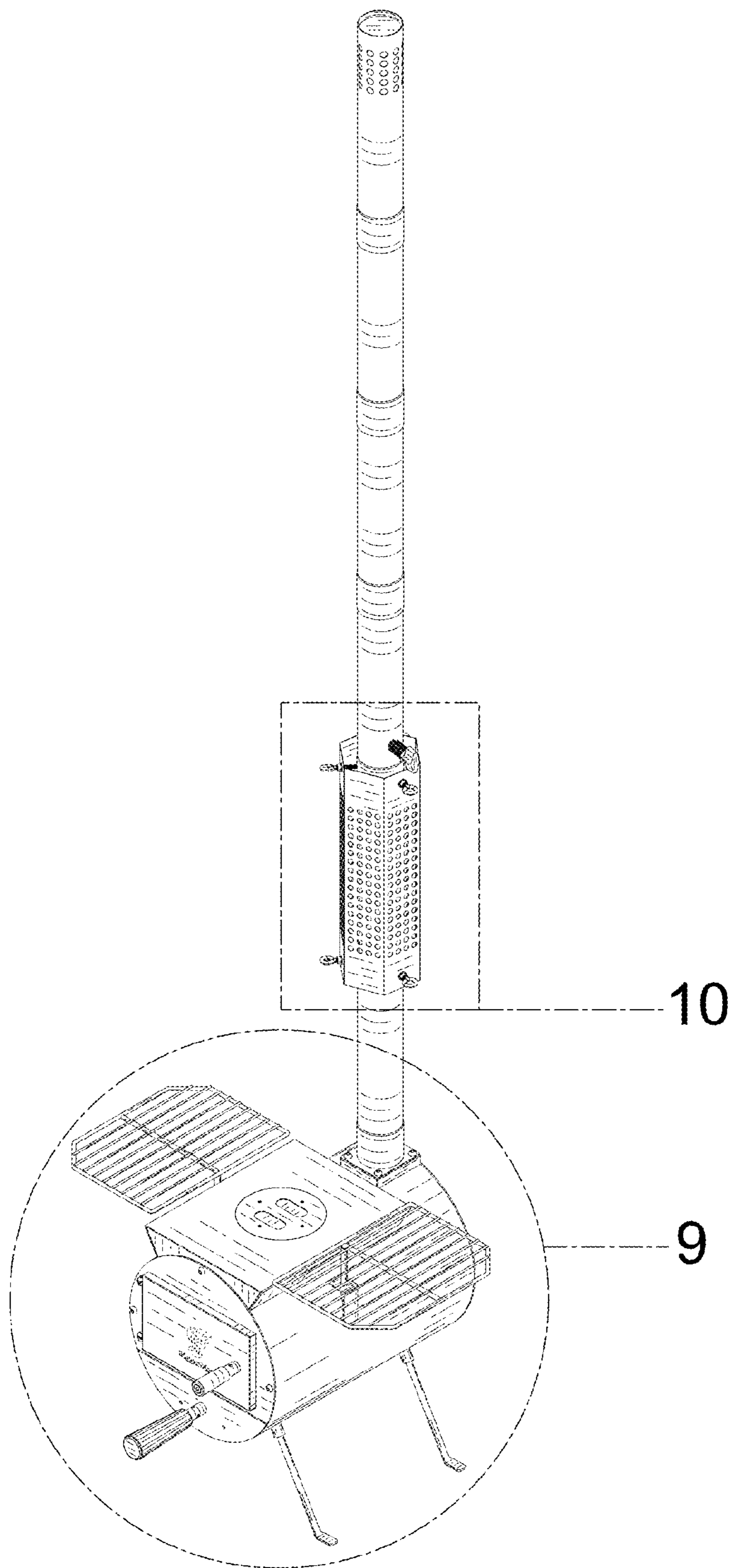


FIG. 1

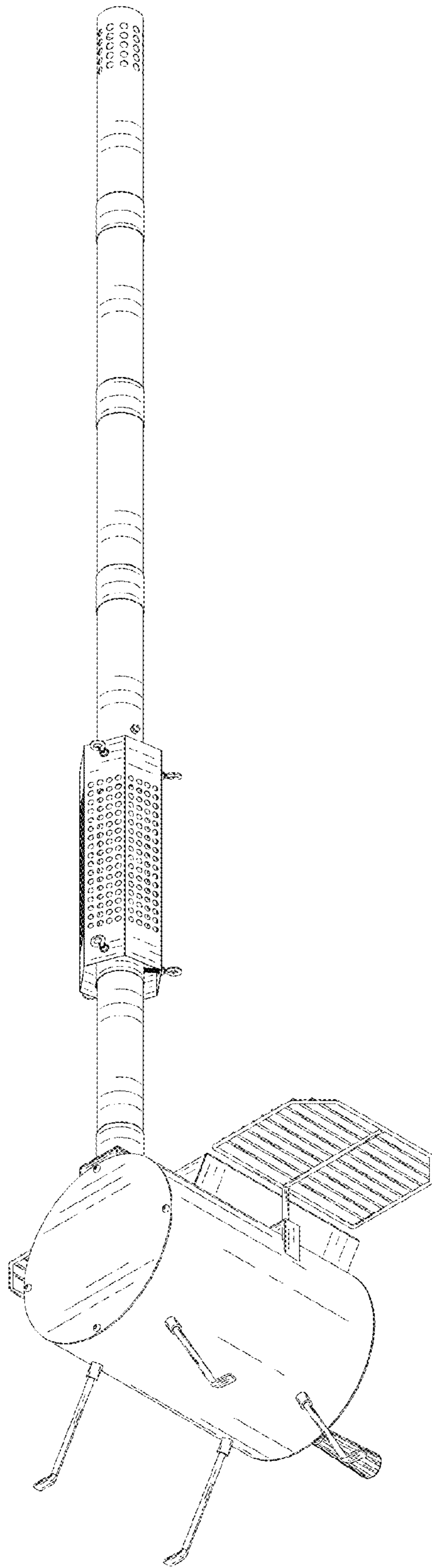


FIG. 2

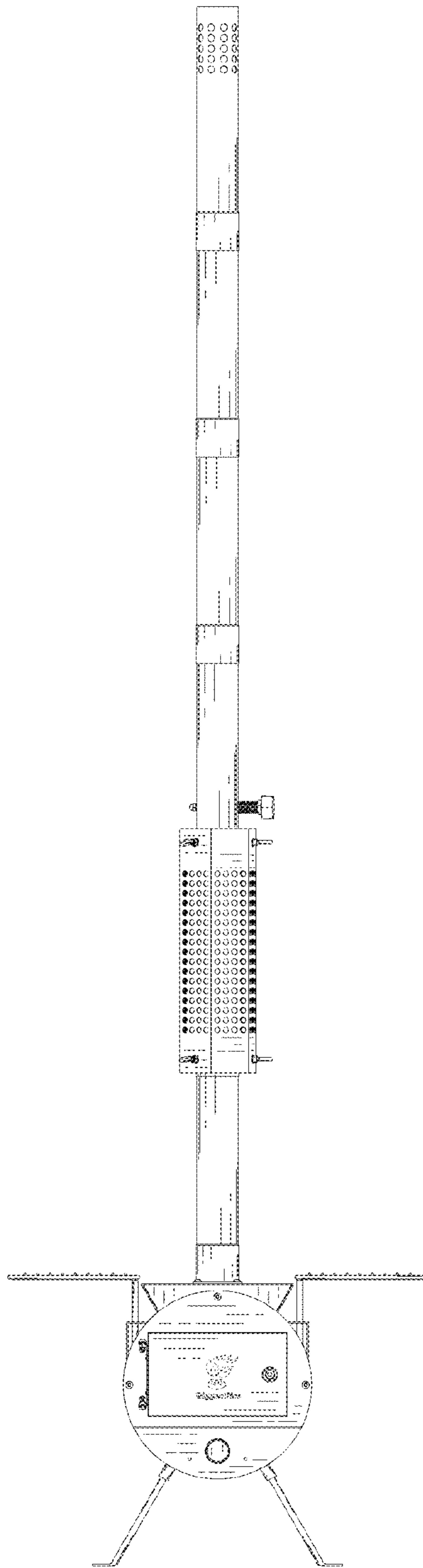


FIG. 3

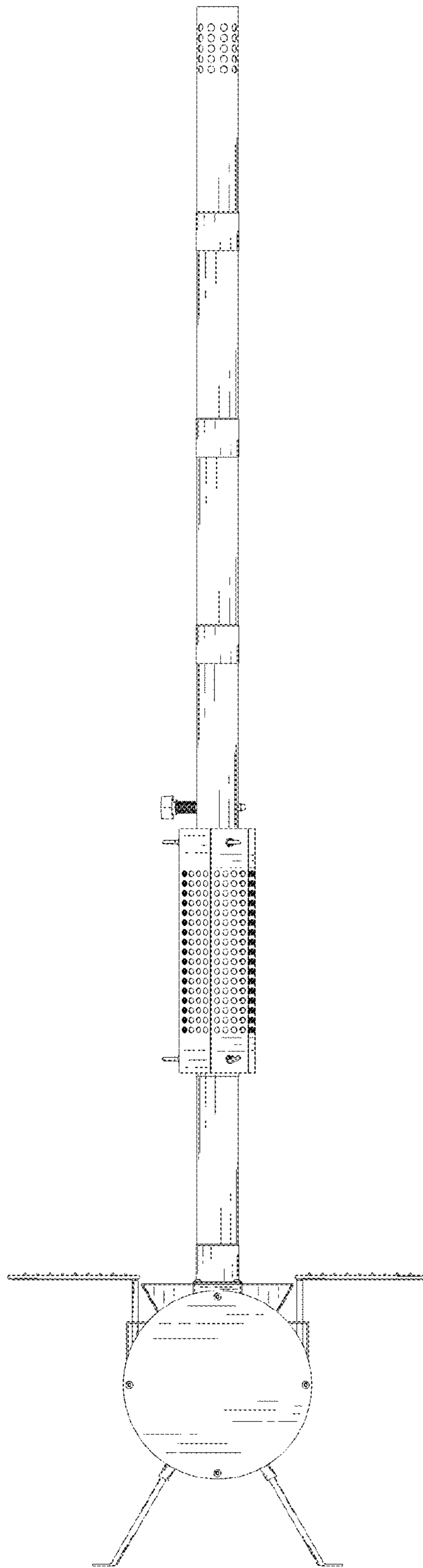


FIG. 4

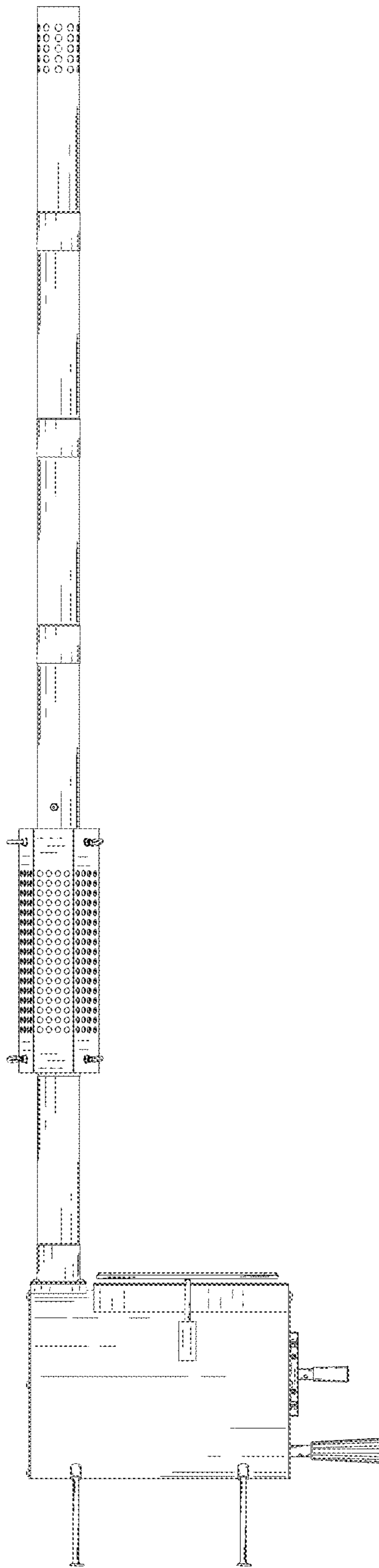


FIG. 5

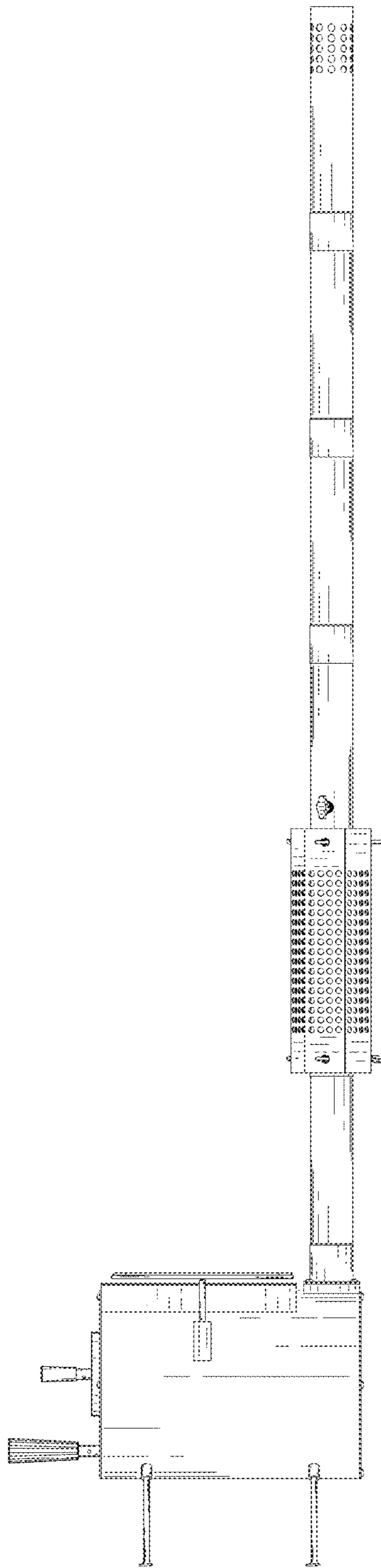


FIG. 6



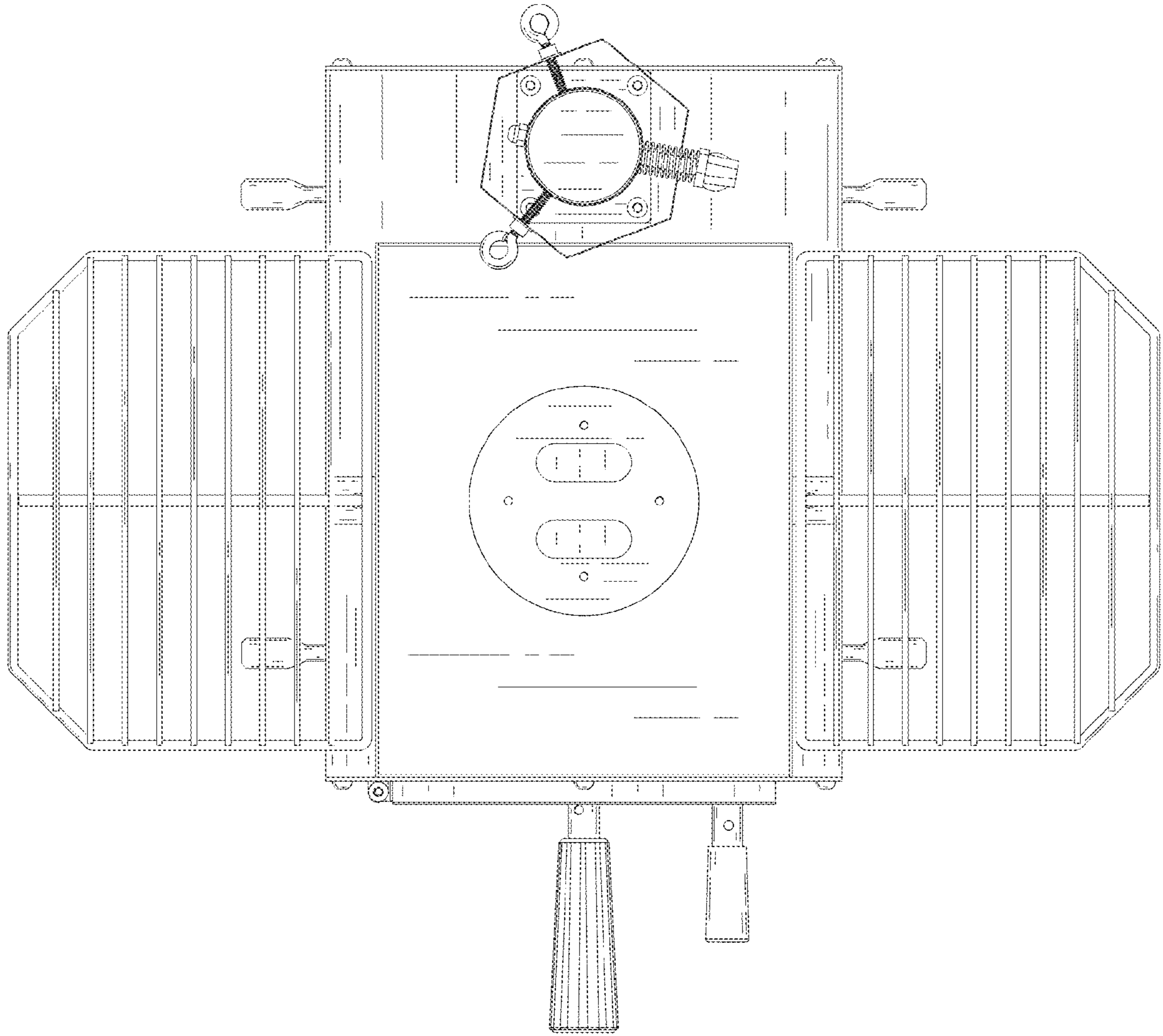


FIG. 7

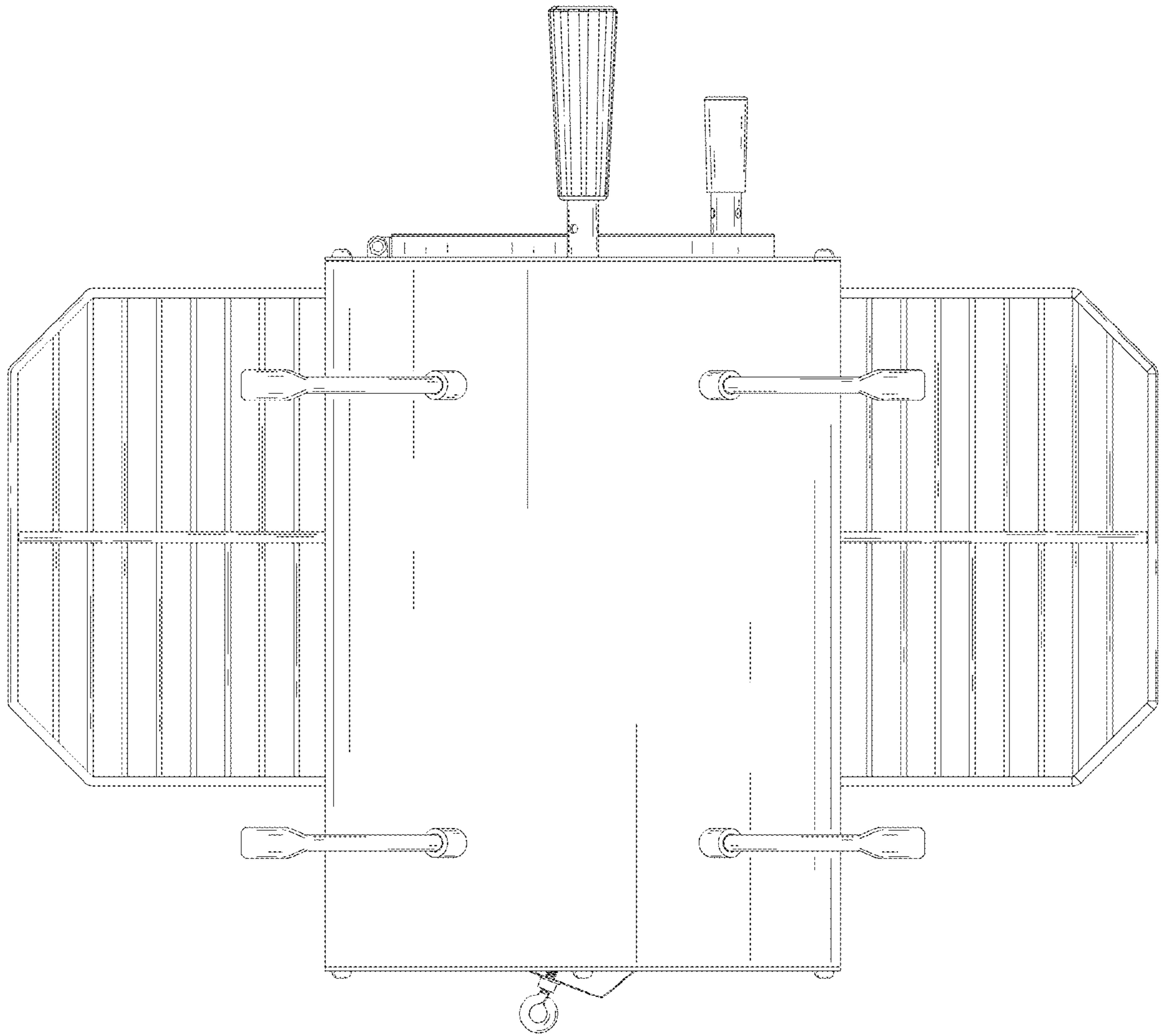


FIG. 8

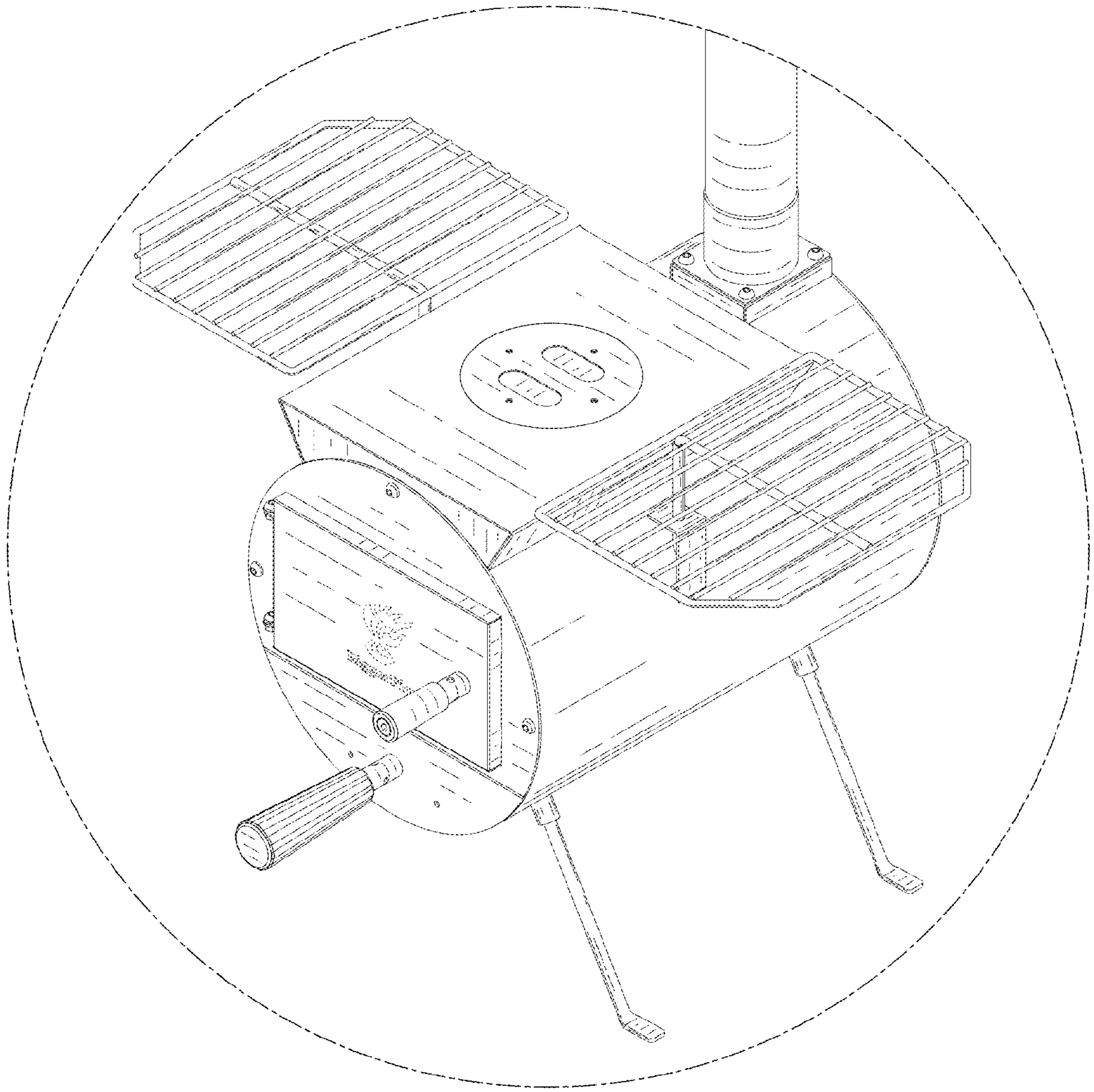


FIG. 9

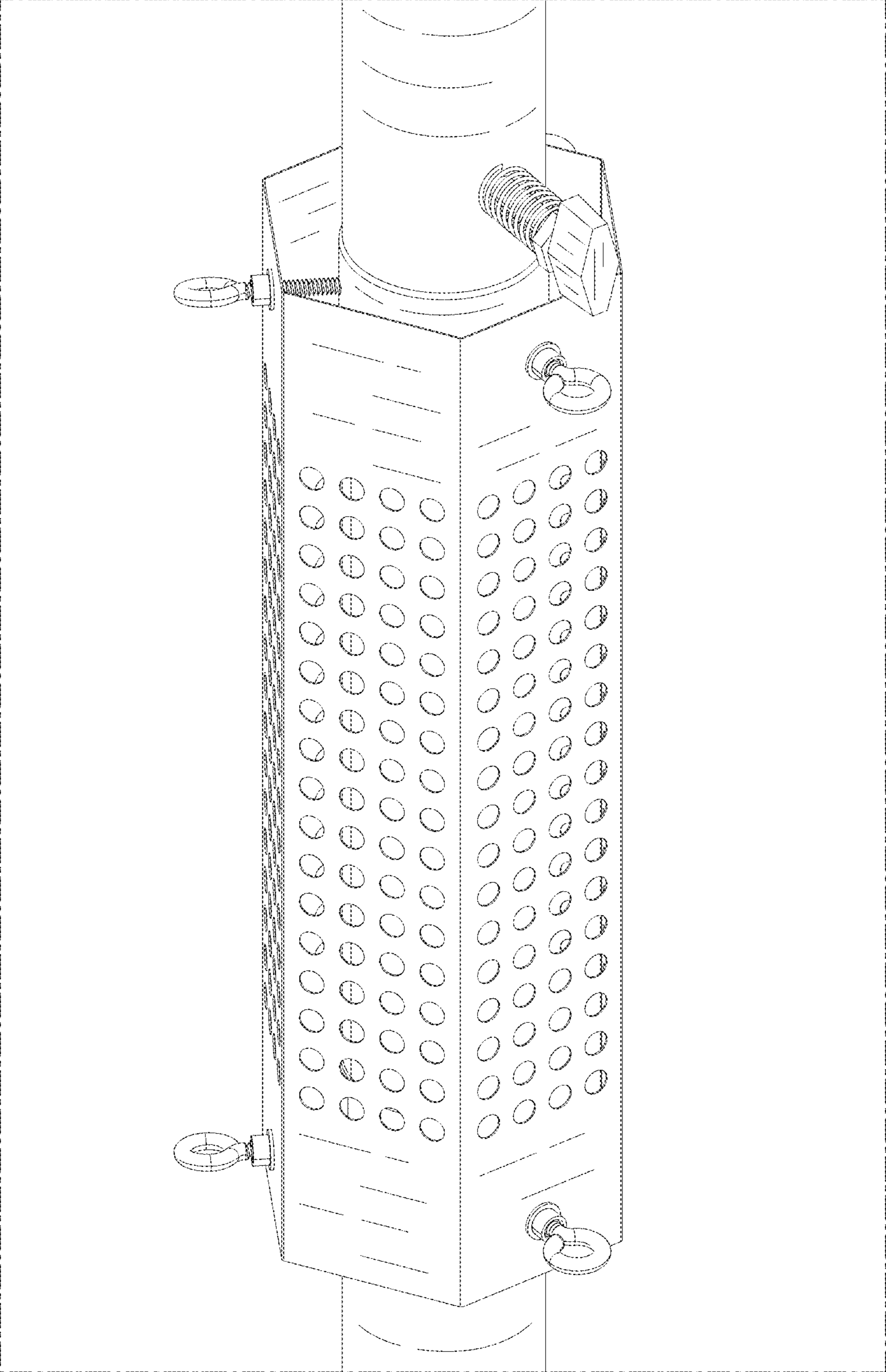


FIG. 10