



US0D1041187S

(12) **United States Design Patent** (10) **Patent No.:** **US D1,041,187 S**
Guo (45) **Date of Patent:** **** Sep. 10, 2024**

(54) **STOOL**

(71) Applicant: **Yonggang Guo**, Shenzhen (CN)

(72) Inventor: **Yonggang Guo**, Shenzhen (CN)

(**) Term: **15 Years**

(21) Appl. No.: **29/918,732**

(22) Filed: **Nov. 29, 2023**

(30) **Foreign Application Priority Data**

Aug. 24, 2023 (CN) 202330545049.5

(51) **LOC (14) Cl.** **06-01**

(52) **U.S. Cl.**
USPC **D6/349**

(58) **Field of Classification Search**

USPC D6/333, 349, 350, 352, 353, 355, 367,
D6/601, 686, 338, 330, 368, 377, 691.5;
D23/299; D25/65; D30/161
CPC A47C 3/40; A47C 3/16; A47C 9/10; A47C
12/00; A47C 7/0213; A47C 7/002; A47C
9/027; B65D 21/086; E06C 1/393
See application file for complete search history.

(56) **References Cited**

U.S. PATENT DOCUMENTS

D166,300	S	*	4/1952	Curtis	D6/691.5
3,656,809	A	*	4/1972	Ronning	A47C 16/02 297/461
D286,479	S	*	11/1986	Marchesini	D6/691.5
D311,282	S	*	10/1990	Tooley	D6/349
D354,859	S	*	1/1995	Hsu	D6/349
D512,229	S	*	12/2005	Reza-Hadden	D6/381
D718,944	S	*	12/2014	Hsu	D6/353
D775,842	S	*	1/2017	Clark	D6/330
D834,842	S	*	12/2018	Baiera	D6/349
D944,019	S	*	2/2022	Xiao	D6/330
11,375,818	B1	*	7/2022	Hu	A47C 7/0213
D1,012,520	S	*	1/2024	Li	D6/350
2023/0309698	A1	*	10/2023	Du	A47C 4/10

OTHER PUBLICATIONS

Onadak Garden Kneeler and Seat, available in Amazon.com, date first available Sep. 6, 2023 [online], Retrieved on Feb. 13, 2024 from URL: <https://www.amazon.com/dp/B0CHFJQFQR/?th=1> (Year: 2023).*

* cited by examiner

Primary Examiner — Susan E Krakower
Assistant Examiner — Michelle M Reeves

(57) **CLAIM**

The ornamental design for a stool, as shown and described.

DESCRIPTION

FIG. 1 is a front, top perspective view of a stool, showing my new design;
FIG. 2 is a rear, bottom perspective view thereof;
FIG. 3 is a front elevational view thereof;
FIG. 4 is a rear elevational view thereof;
FIG. 5 is a left-side elevational view thereof;
FIG. 6 is a right-side elevational view thereof;
FIG. 7 is a top plan view thereof;
FIG. 8 is a bottom plan view thereof;
FIG. 9 is an enlarged view of the area labeled 9 in FIG. 1; and,
FIG. 10 is an enlarged view of the area labeled 10 in FIG. 1.

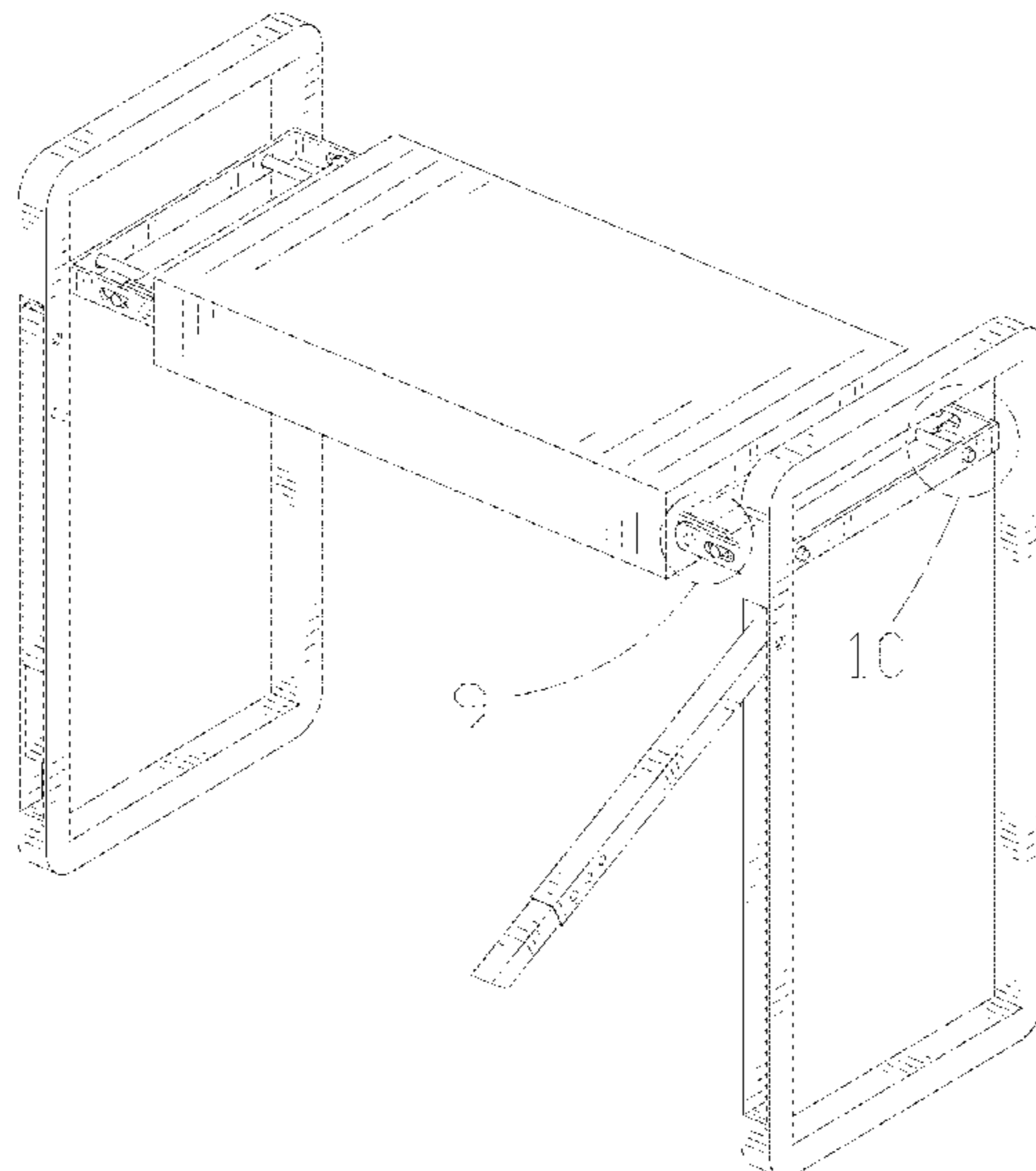
The broken lines show portions of the stool that form no part of the claimed design.

The dashed lines in the figures illustrate portions of the stool that form no part of the claimed design.

The dot-dash broken lines of the stool in FIG. 1 illustrate a boundary and cut line of the enlarged view in FIG. 9 and form no part of the claimed design.

The dot-dash broken lines of the stool in FIG. 1 illustrate a boundary and cut line of the enlarged view in FIG. 10 and form no part of the claimed design.

1 Claim, 10 Drawing Sheets



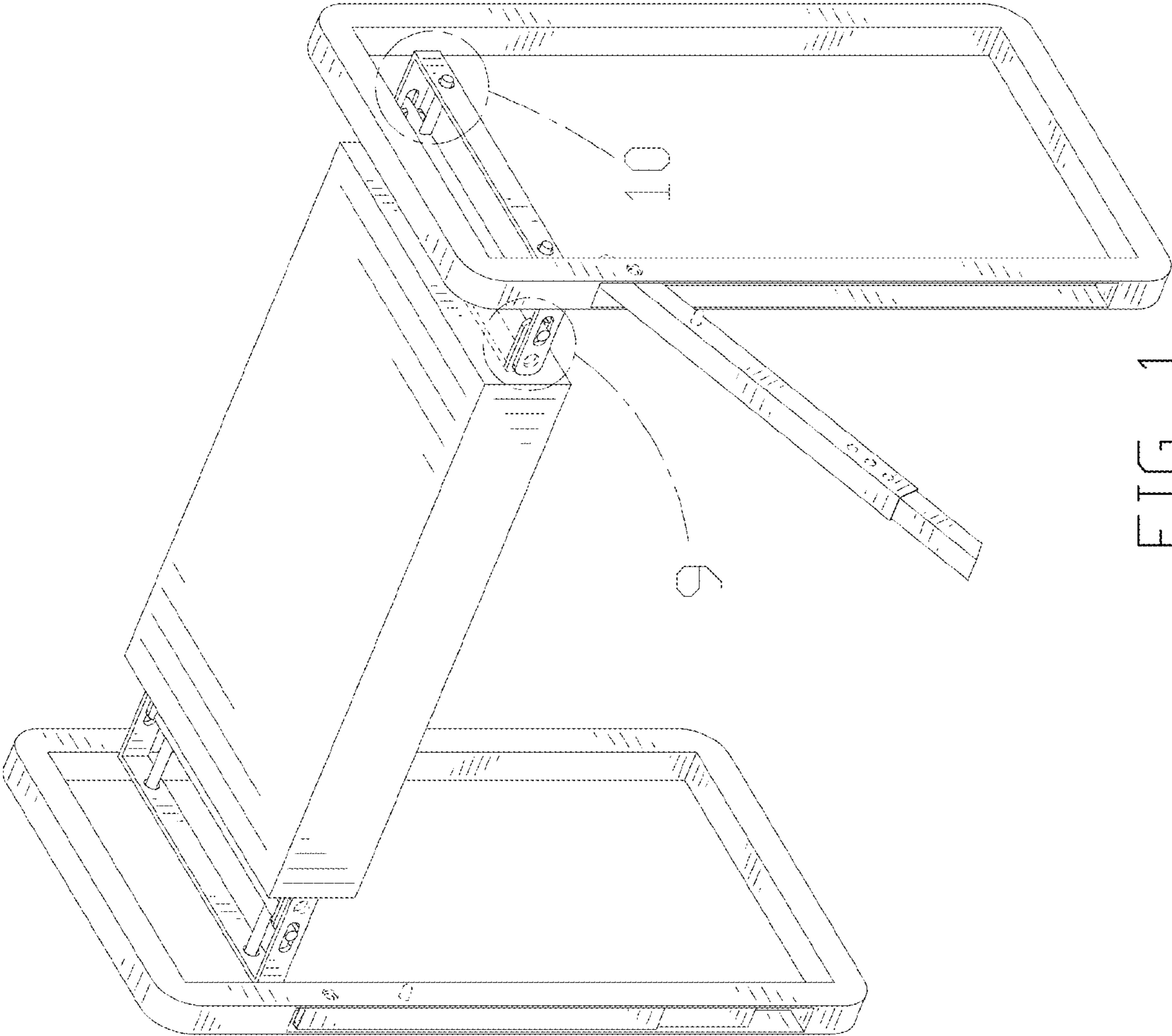


FIG. 1

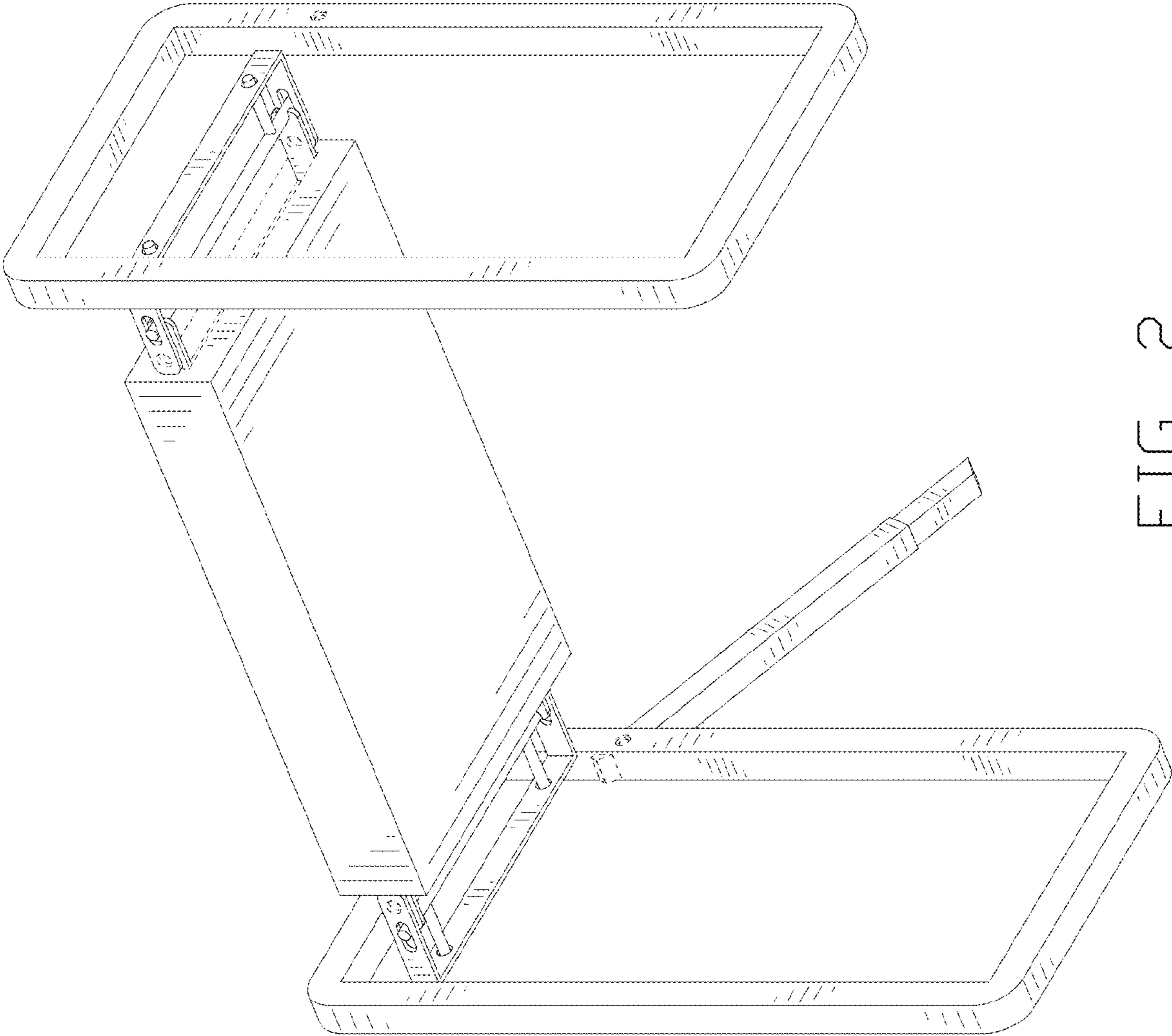


FIG. 2

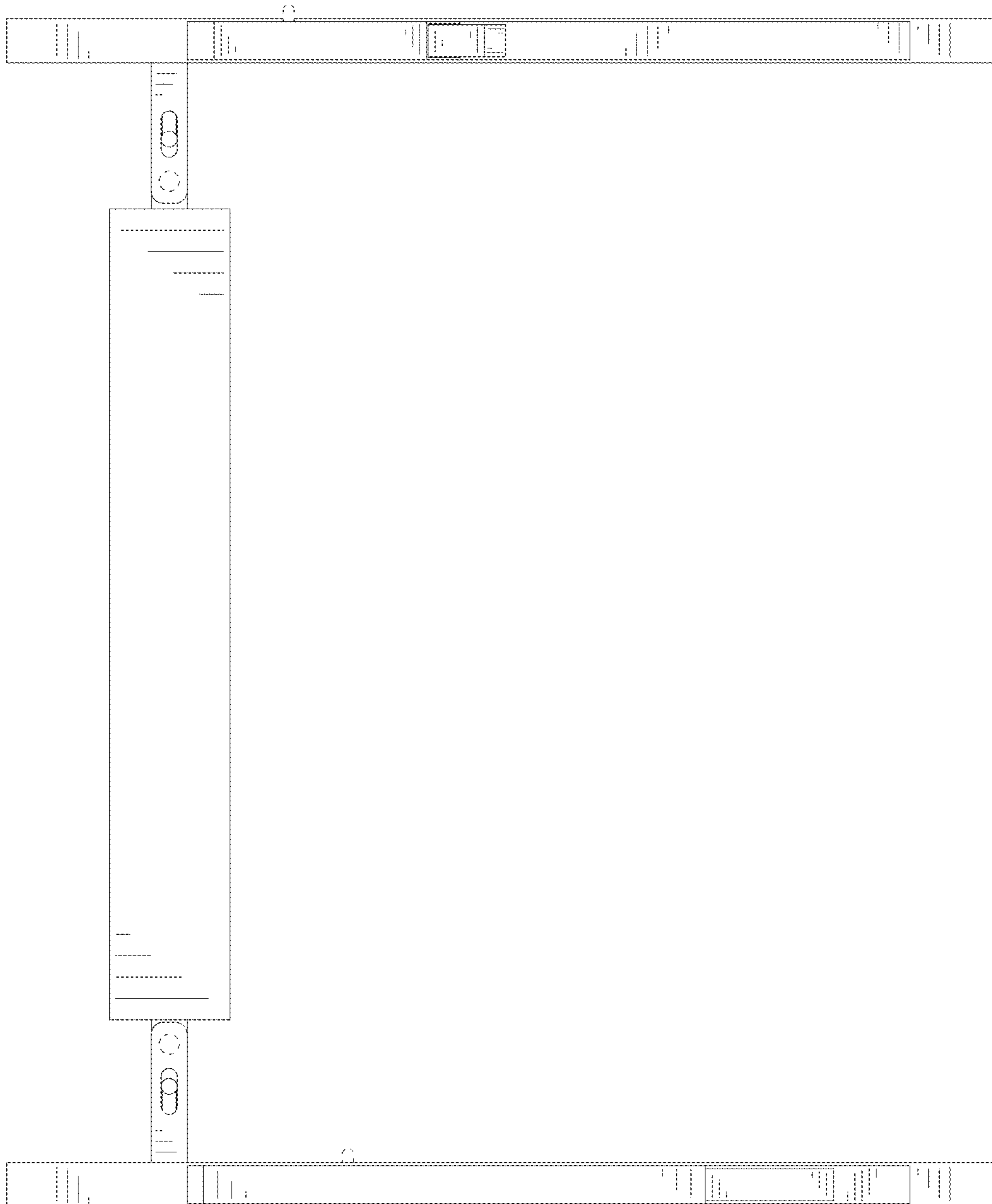


FIG. 3

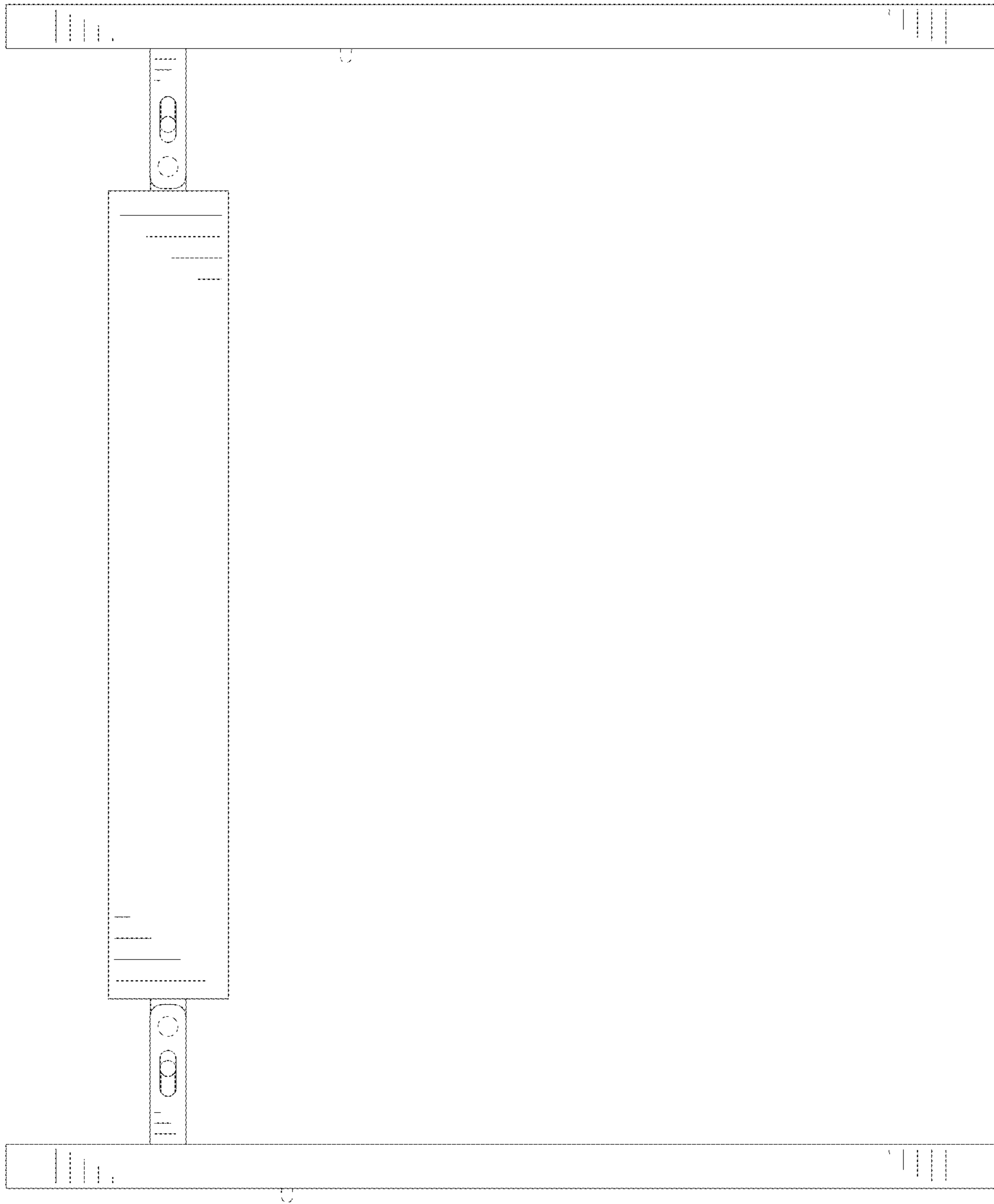


FIG. 4

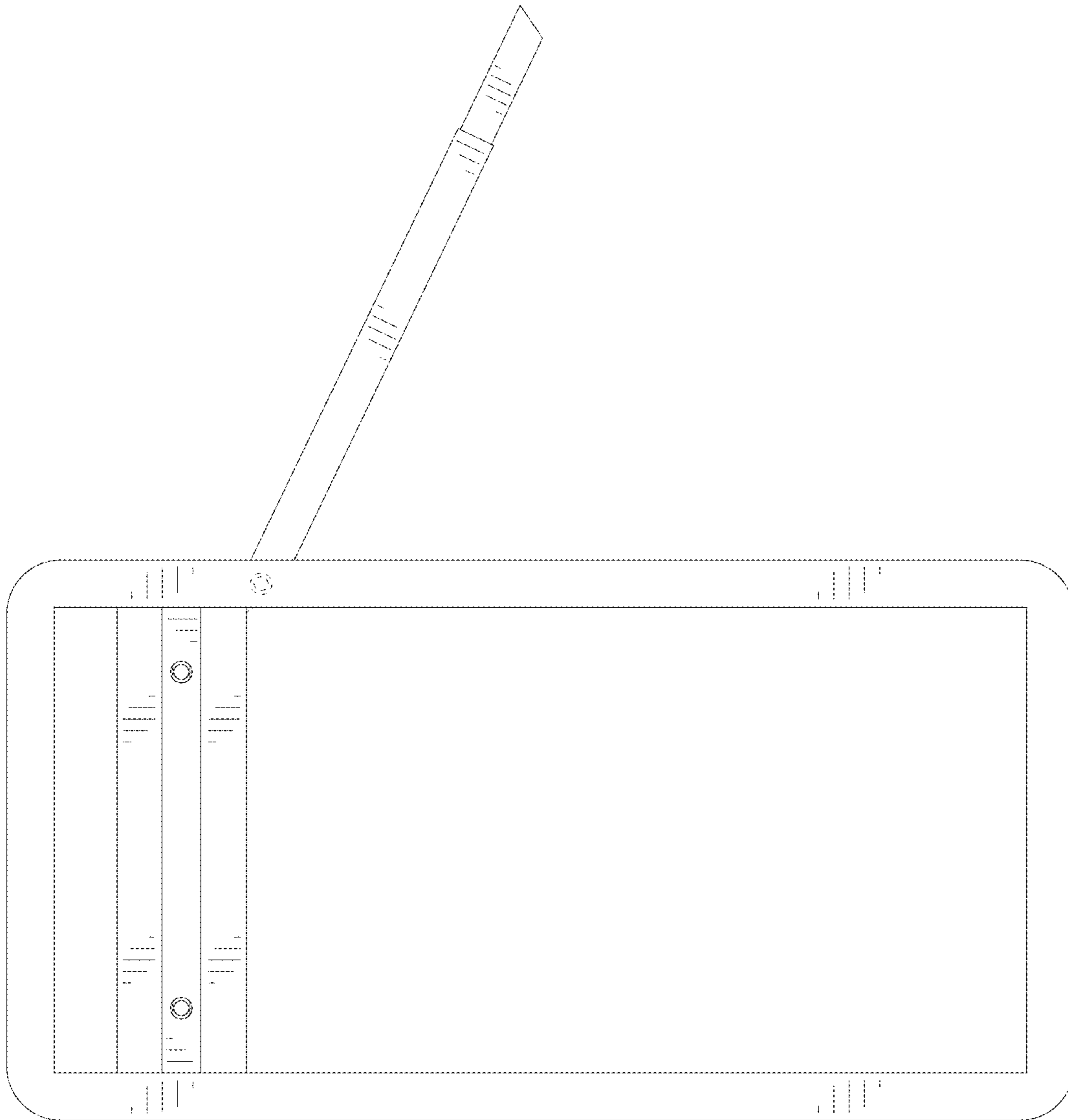


FIG. 5

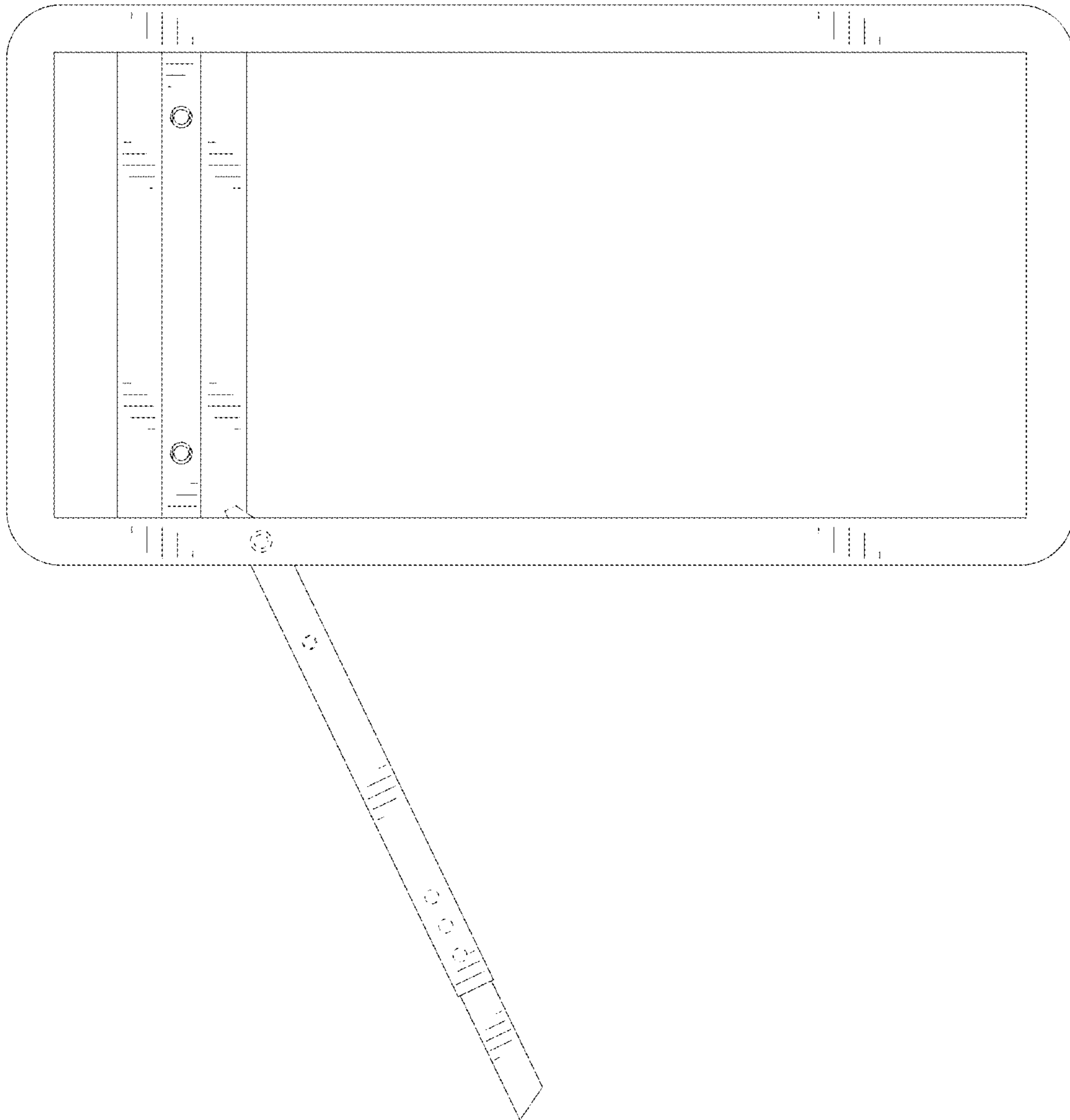


FIG. 6

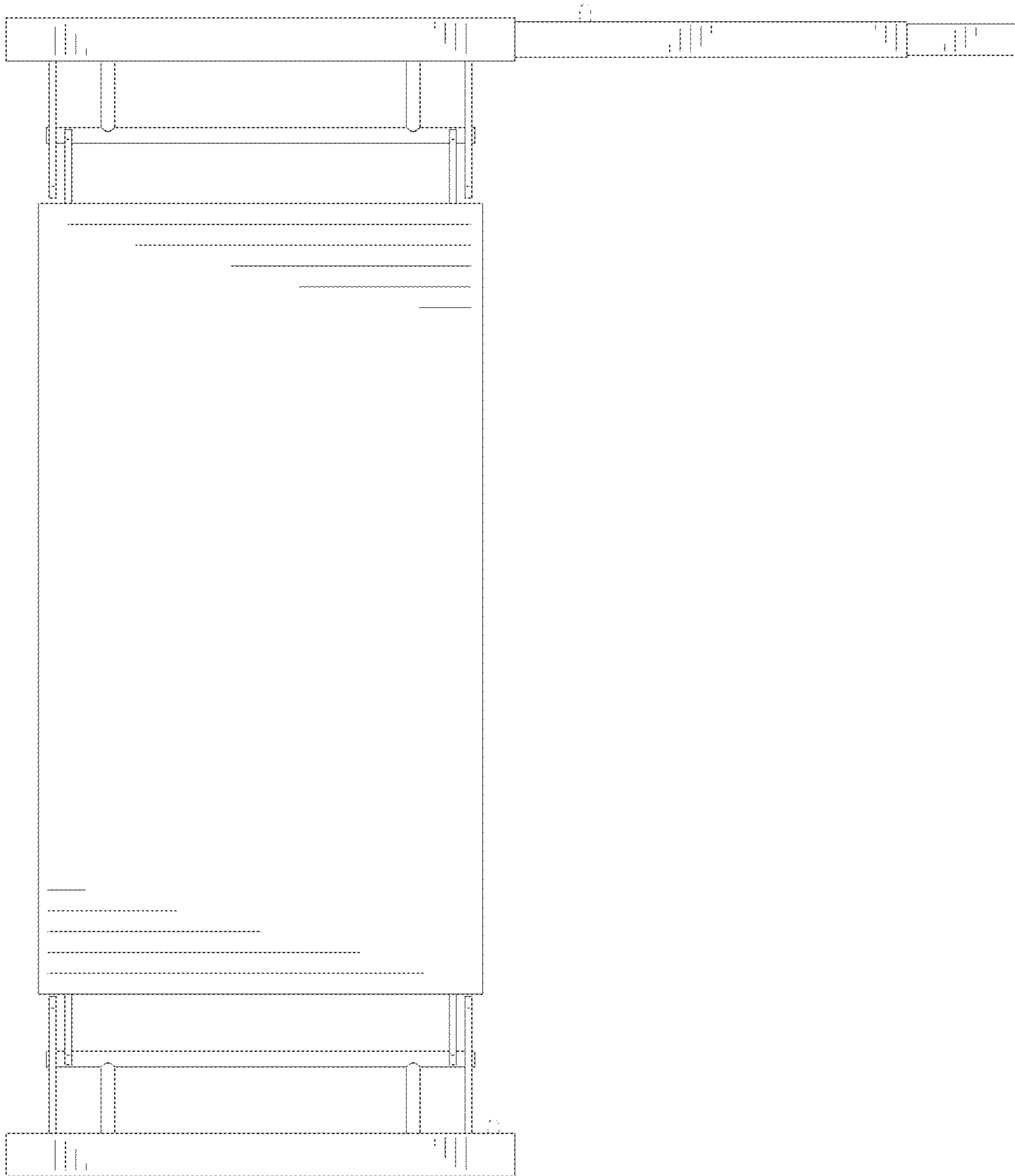


FIG. 7

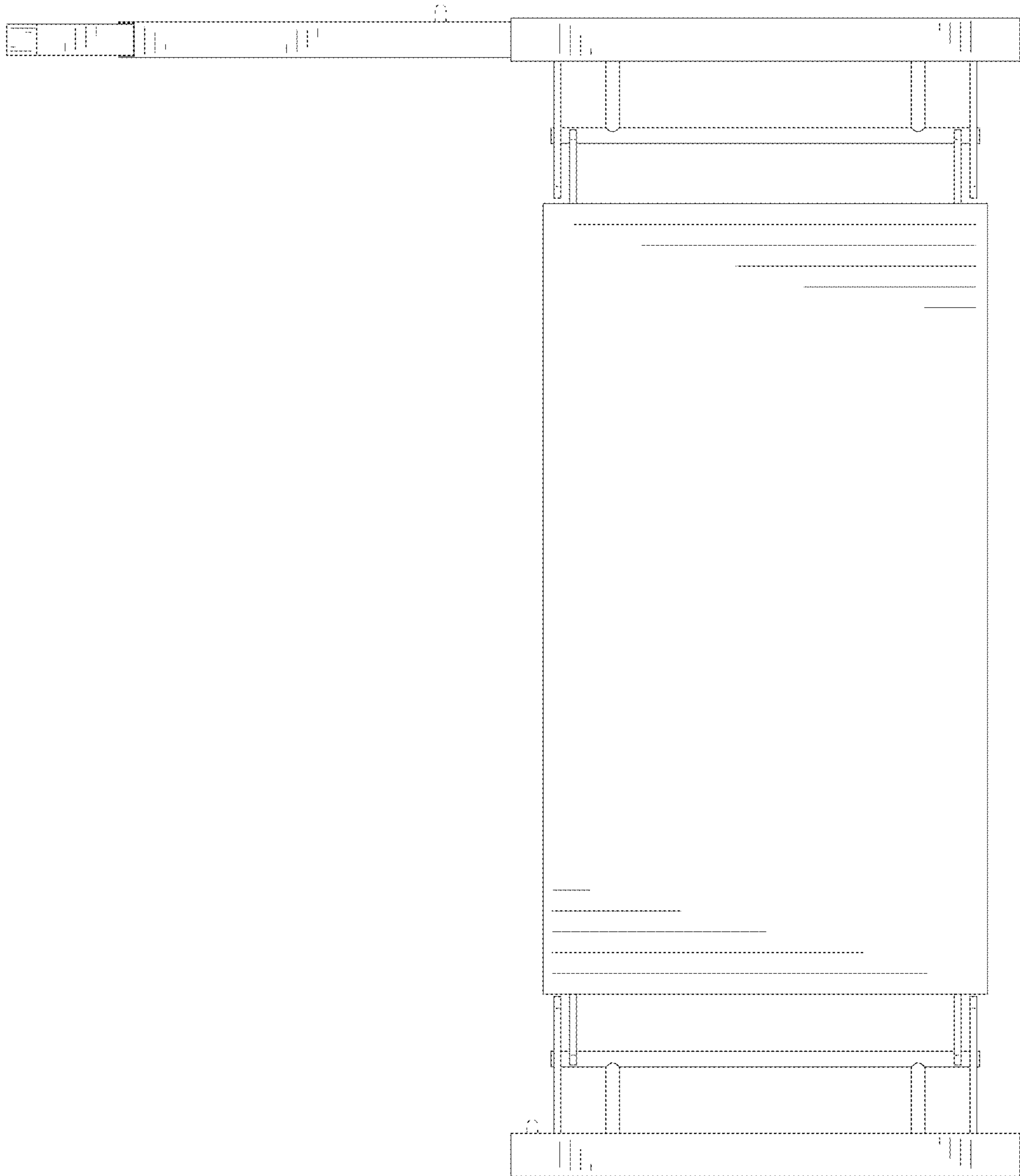


FIG. 8

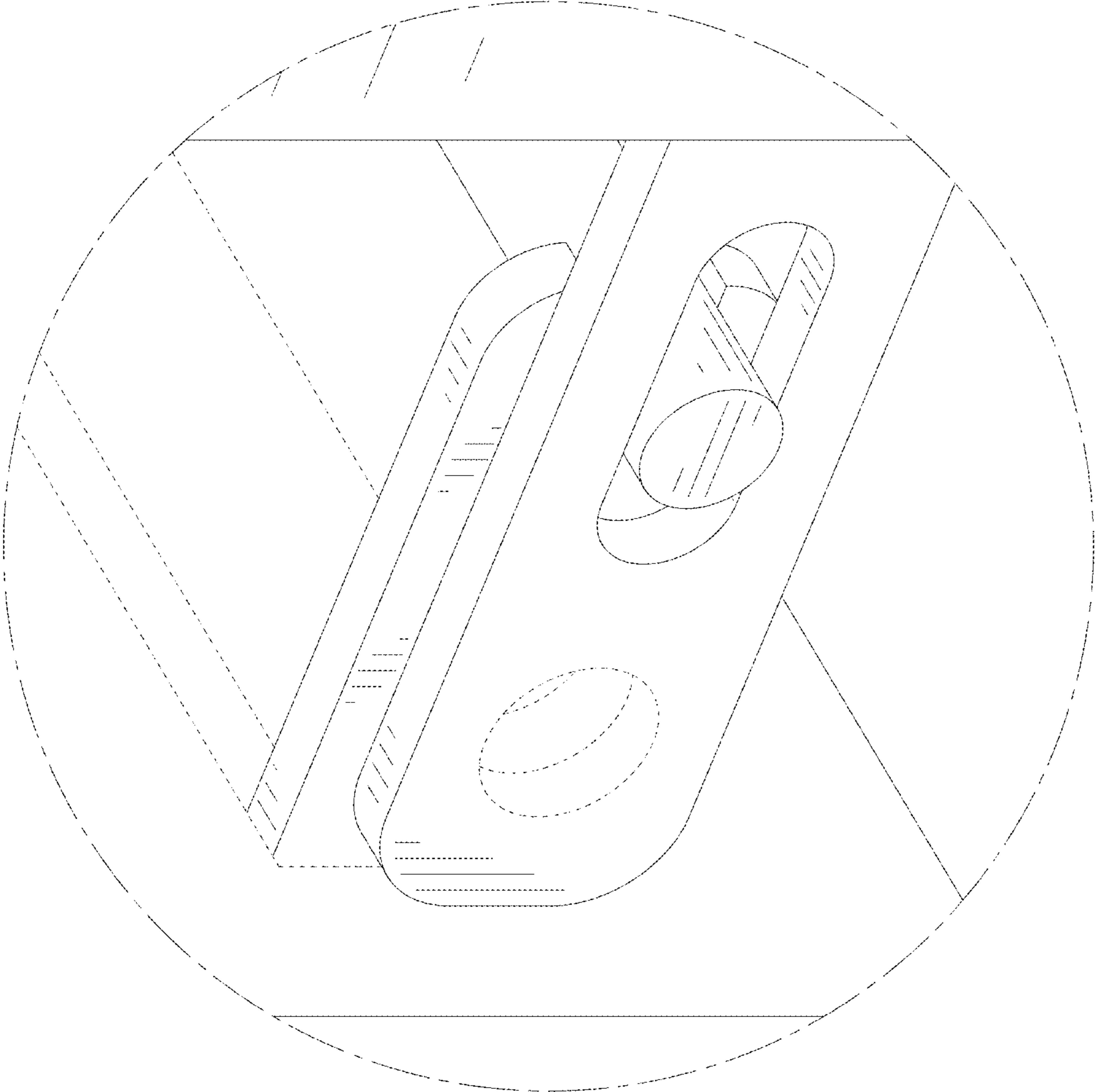


FIG. 9

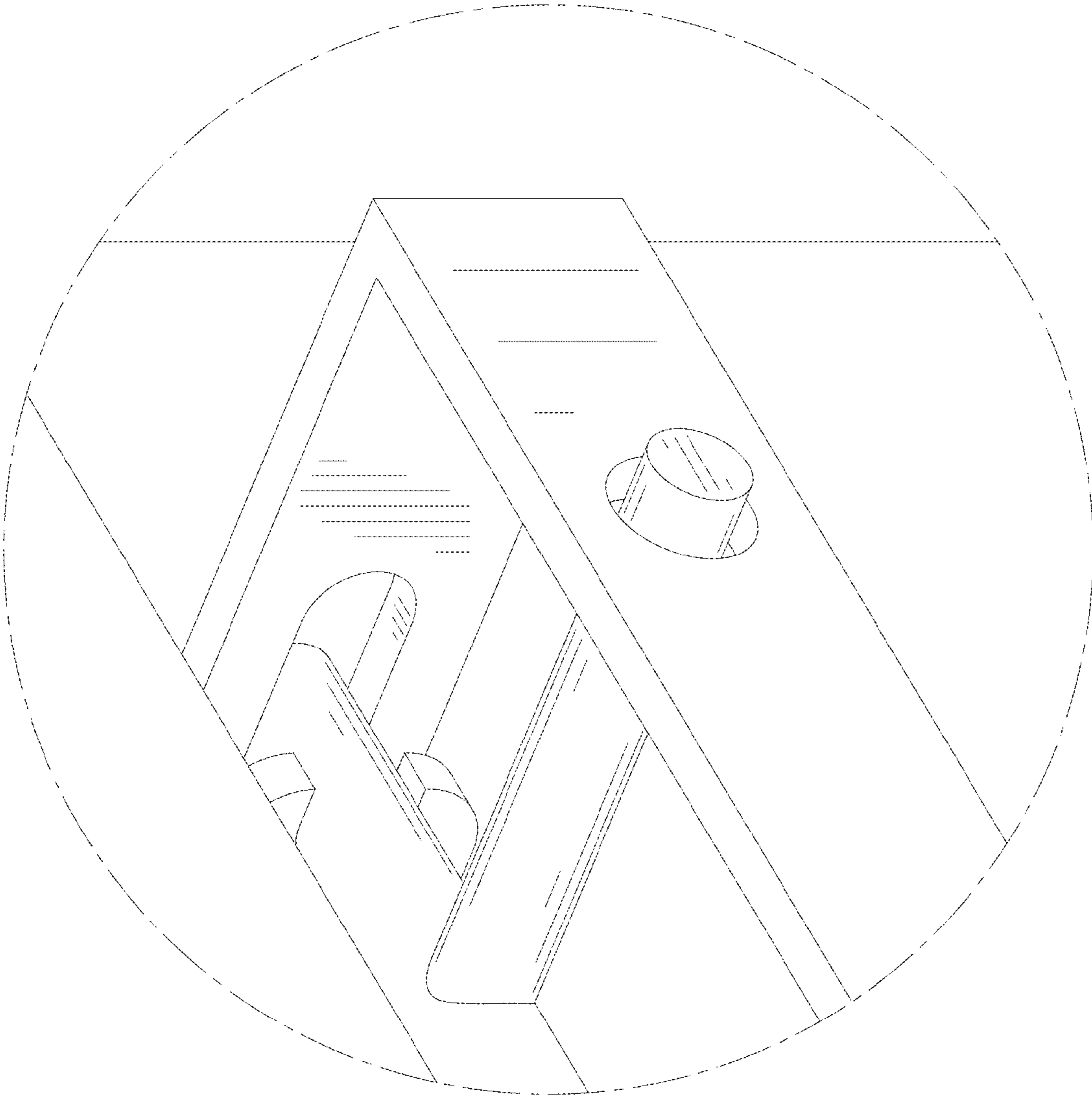


FIG. 10