



US0D1041184S

(12) **United States Design Patent** (10) **Patent No.:** **US D1,041,184 S**
Shen (45) **Date of Patent:** **** Sep. 10, 2024**

(54) **INFANT SEAT**
(71) Applicant: **Zeqiao Shen**, Guangdong (CN)
(72) Inventor: **Zeqiao Shen**, Guangdong (CN)
(**) Term: **15 Years**
(21) Appl. No.: **29/948,156**
(22) Filed: **Jun. 19, 2024**
(51) **LOC (14) Cl.** **06-01**
(52) **U.S. Cl.**
USPC **D6/333**
(58) **Field of Classification Search**
USPC D12/128-130; D6/333-336, 339, 364;
D21/533-535, 476, 419, 426, 414;
D23/277-278, 304
CPC A47D 13/043; A47D 13/107; A47D 13/04;
A47D 13/083; B62B 7/12; A63B
2208/12; A61H 2035/004; A47K 3/122;
A47K 3/282; A47C 1/16; A47C 9/06
See application file for complete search history.

(56) **References Cited**
U.S. PATENT DOCUMENTS
D468,913 S * 1/2003 Desnos D6/333
D489,538 S 5/2004 Shibata
D550,971 S 9/2007 McConnell
D575,534 S 8/2008 Jane Santamaria
D623,426 S 9/2010 Ramer
D652,221 S * 1/2012 Lee D6/333
D667,229 S 9/2012 Sturmey
D767,316 S 9/2016 Van Huystee
D781,059 S 3/2017 Christopherson

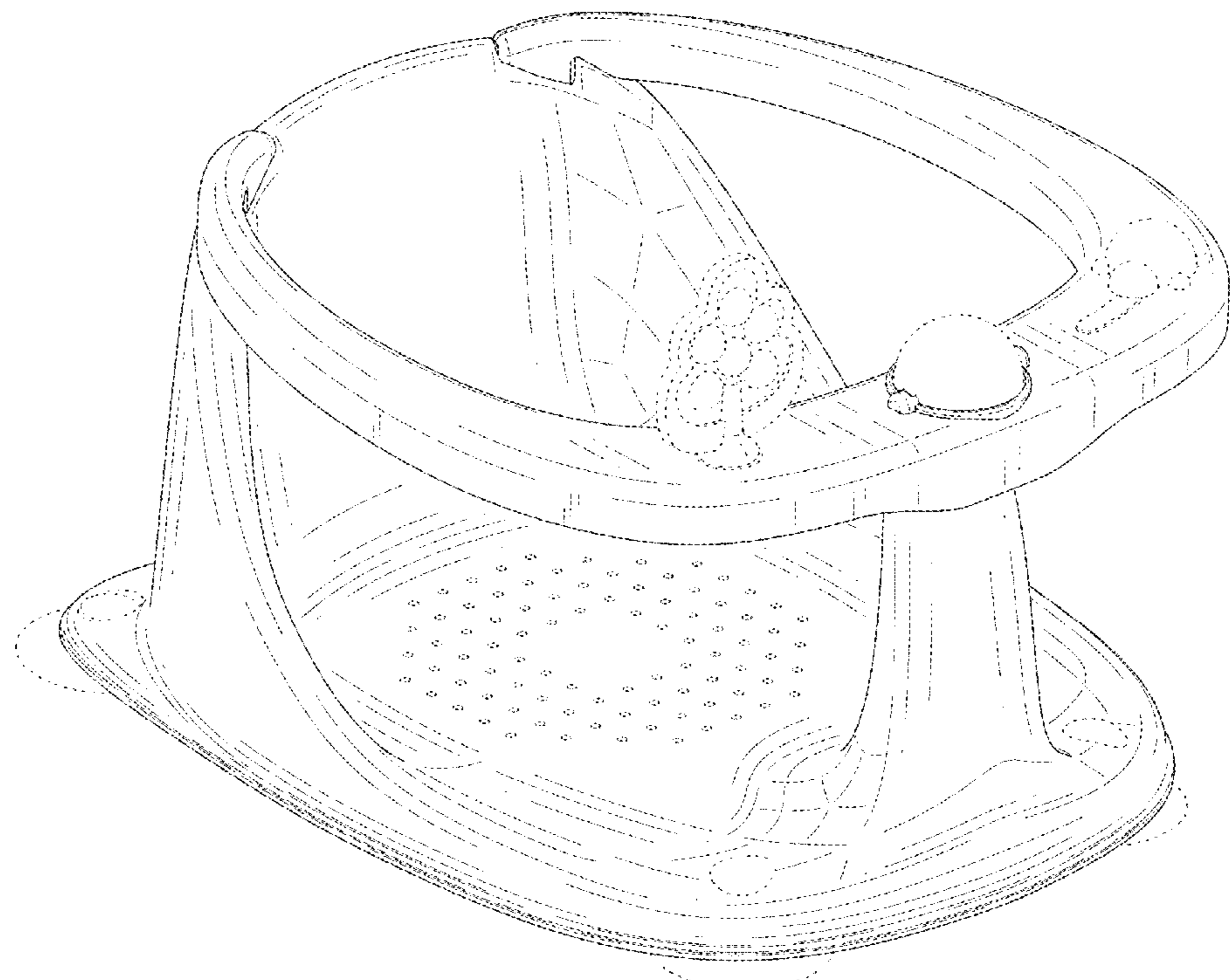
D789,106 S 6/2017 Roberts
D924,380 S * 7/2021 Stroikov D6/333
D946,291 S 3/2022 Wang
D957,147 S 7/2022 Pankratz
D959,863 S * 8/2022 Ma D6/333
D976,374 S * 1/2023 Peng D23/278
D999,347 S * 9/2023 Li D23/278
D1,002,205 S * 10/2023 Wu D6/333
D1,015,753 S * 2/2024 Liu D6/333

* cited by examiner
Primary Examiner — Abraham Bahta
(74) *Attorney, Agent, or Firm* — Hawaii Patent Services;
Nathaniel K. Fedde; Kenton N. Fedde

(57) **CLAIM**
The ornamental design for an infant seat, as shown and described.

DESCRIPTION
FIG. 1 is a front-left perspective view of the infant seat showing my new design;
FIG. 2 is a rear, right, bottom perspective view thereof;
FIG. 3 is a front elevational view thereof;
FIG. 4 is a rear elevational view thereof;
FIG. 5 is a left side view thereof;
FIG. 6 is a right side view thereof;
FIG. 7 is a top plan view thereof;
FIG. 8 is a bottom plan view thereof; and,
FIG. 9 is a partial enlarged view of FIG. 2.
The broken lines depict portions of the infant seat that form no part of the claimed design. The dot dash dot broken lines depict bounds of the enlargements and form no part of the claimed design.

1 Claim, 9 Drawing Sheets



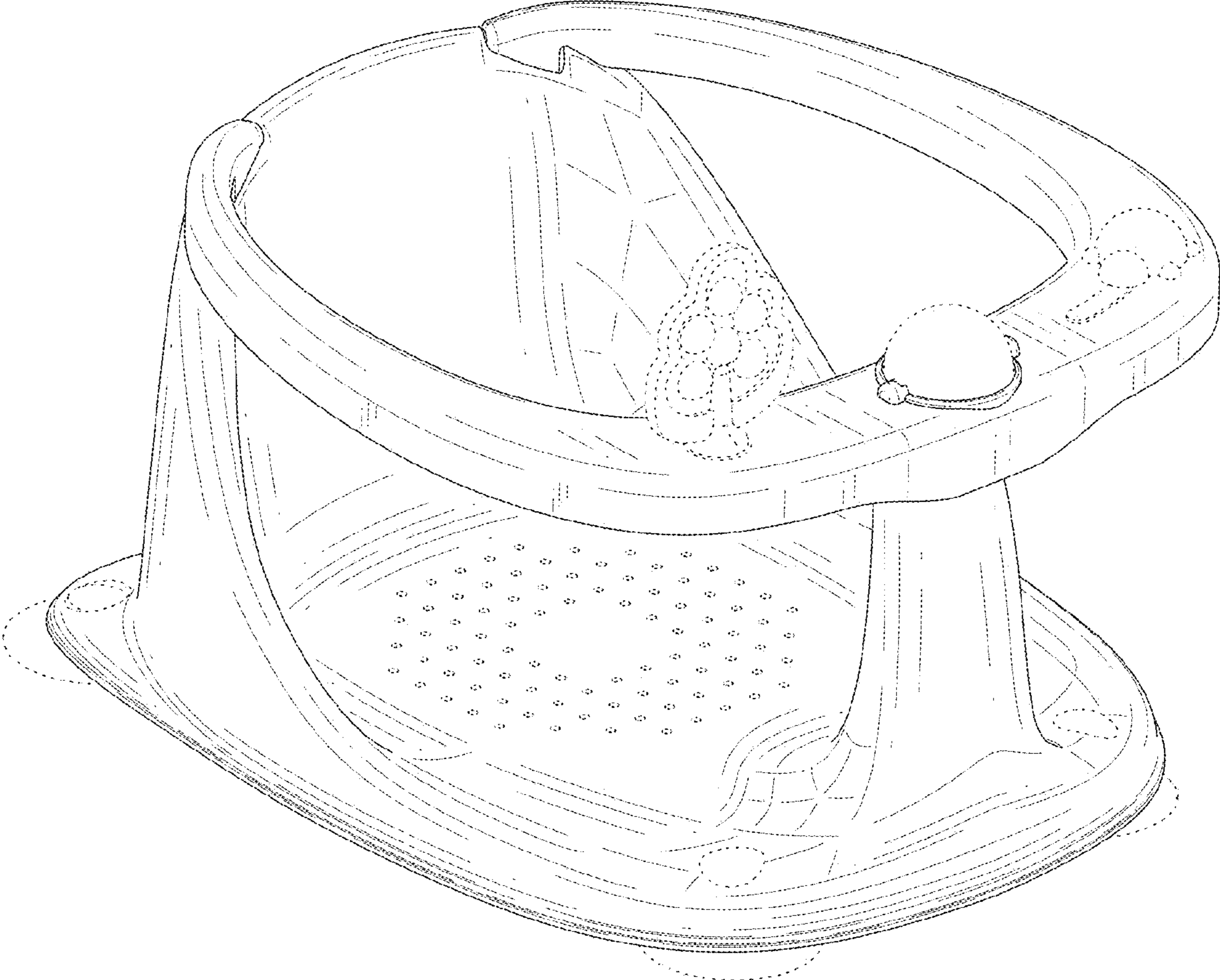


FIG. 1

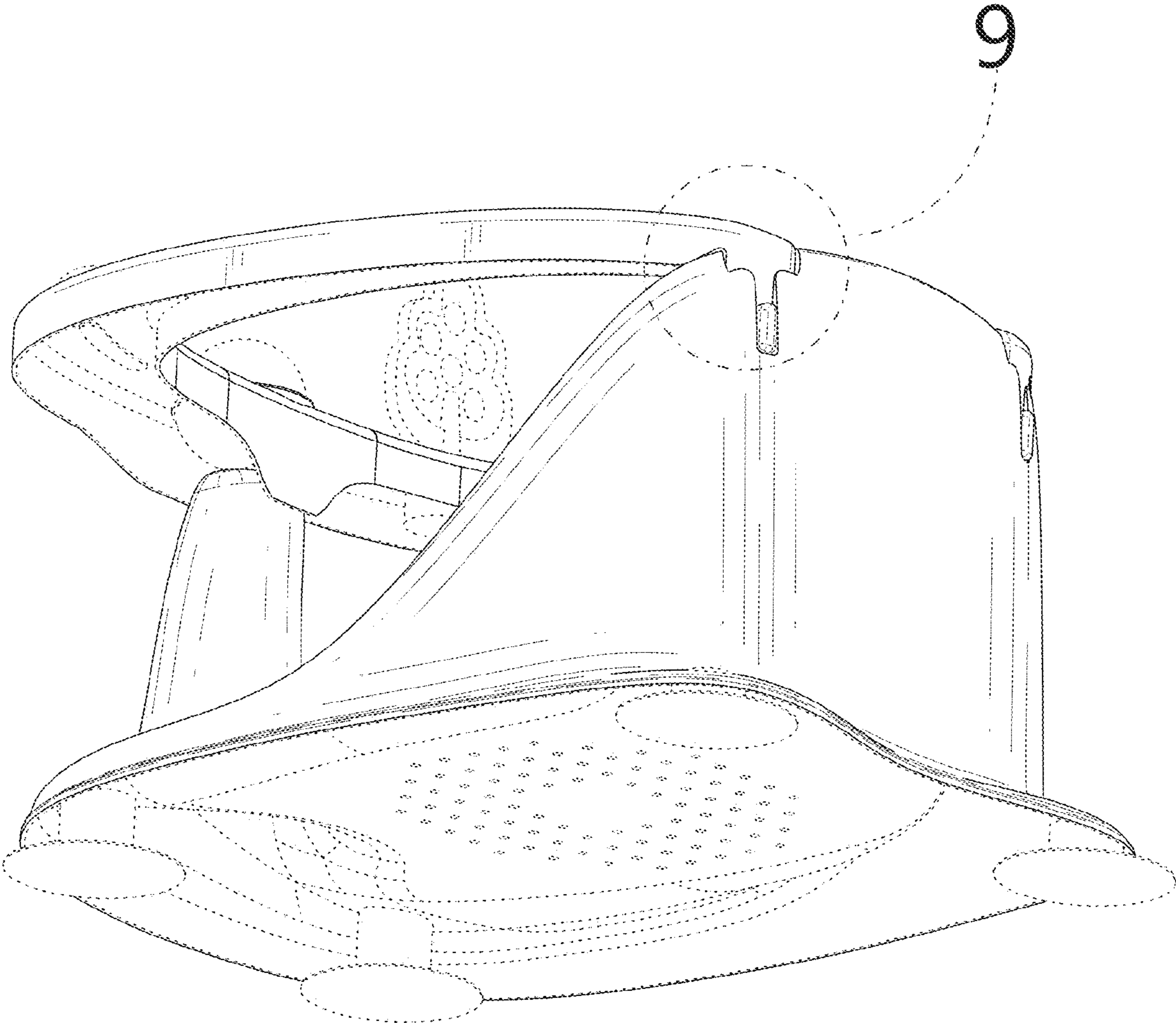


FIG. 2

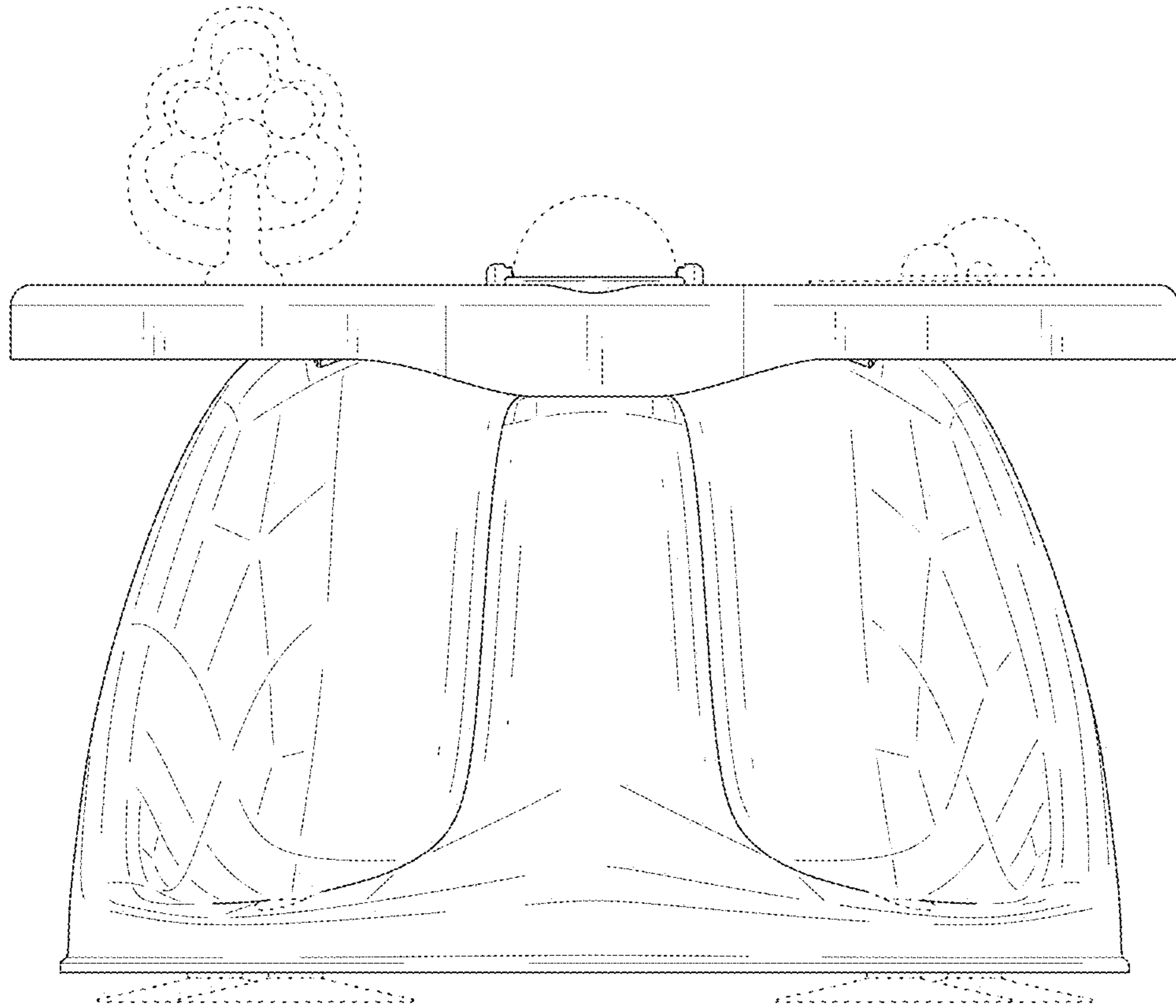


FIG. 3

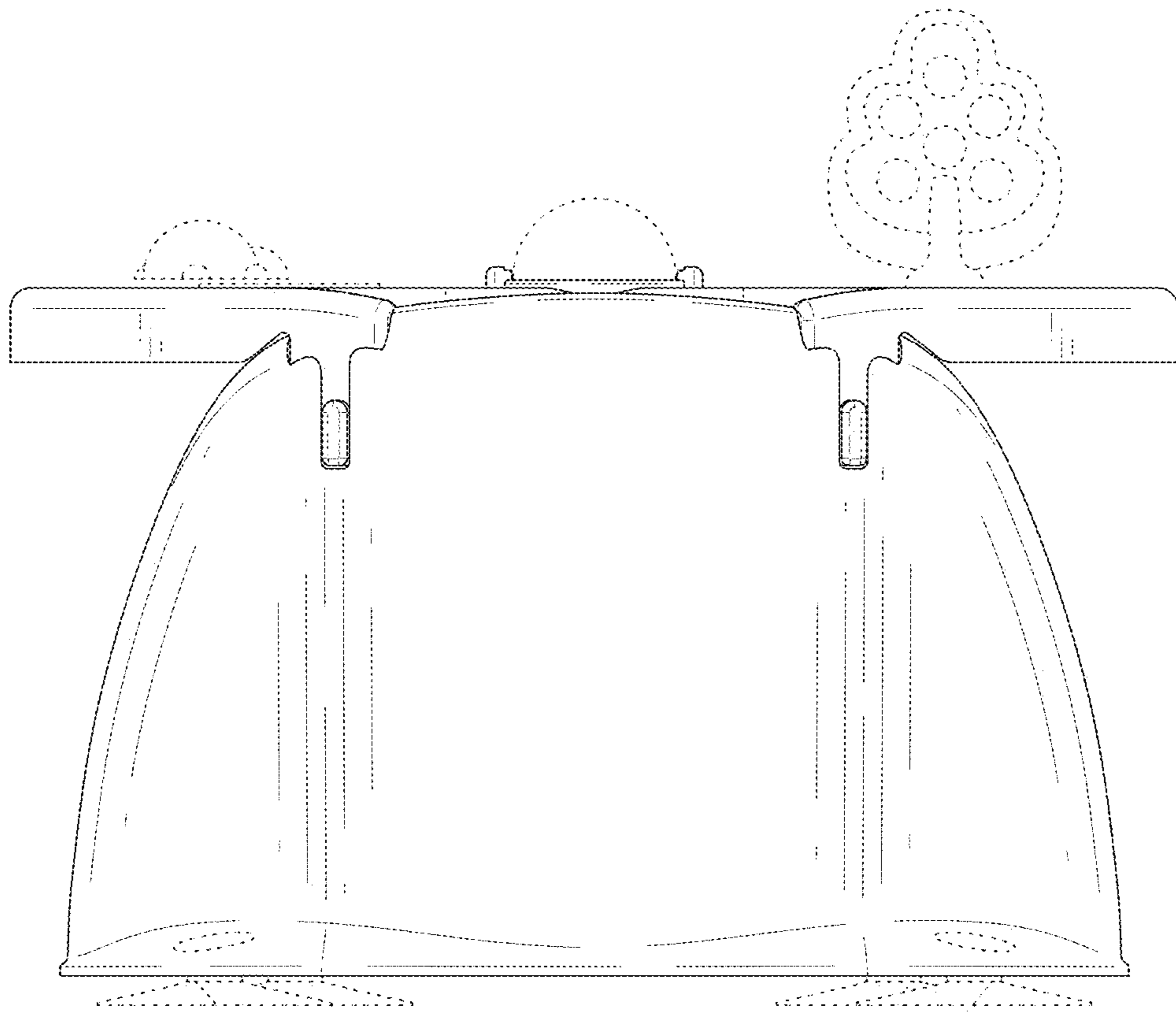


FIG. 4

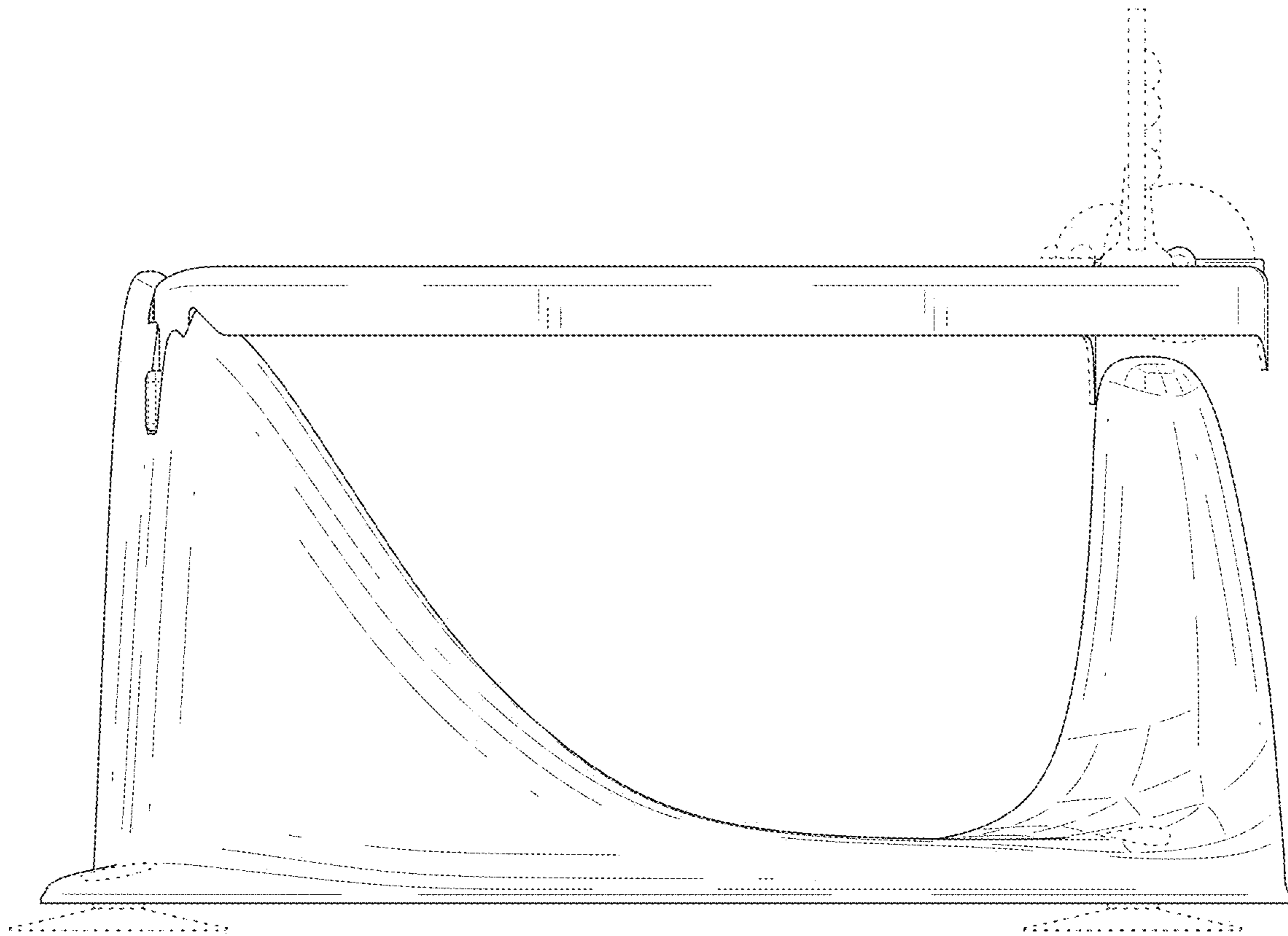


FIG. 5

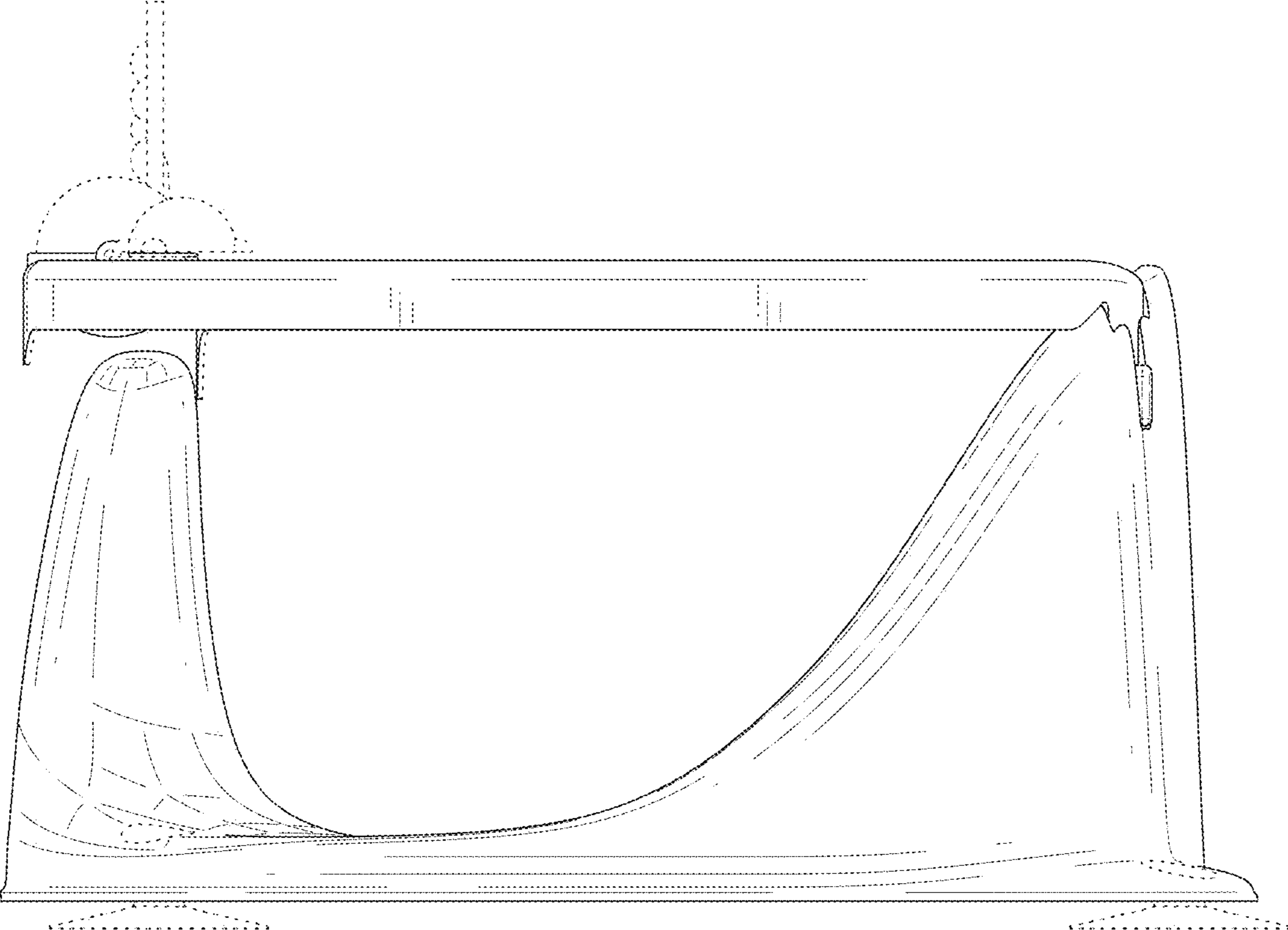


FIG. 6

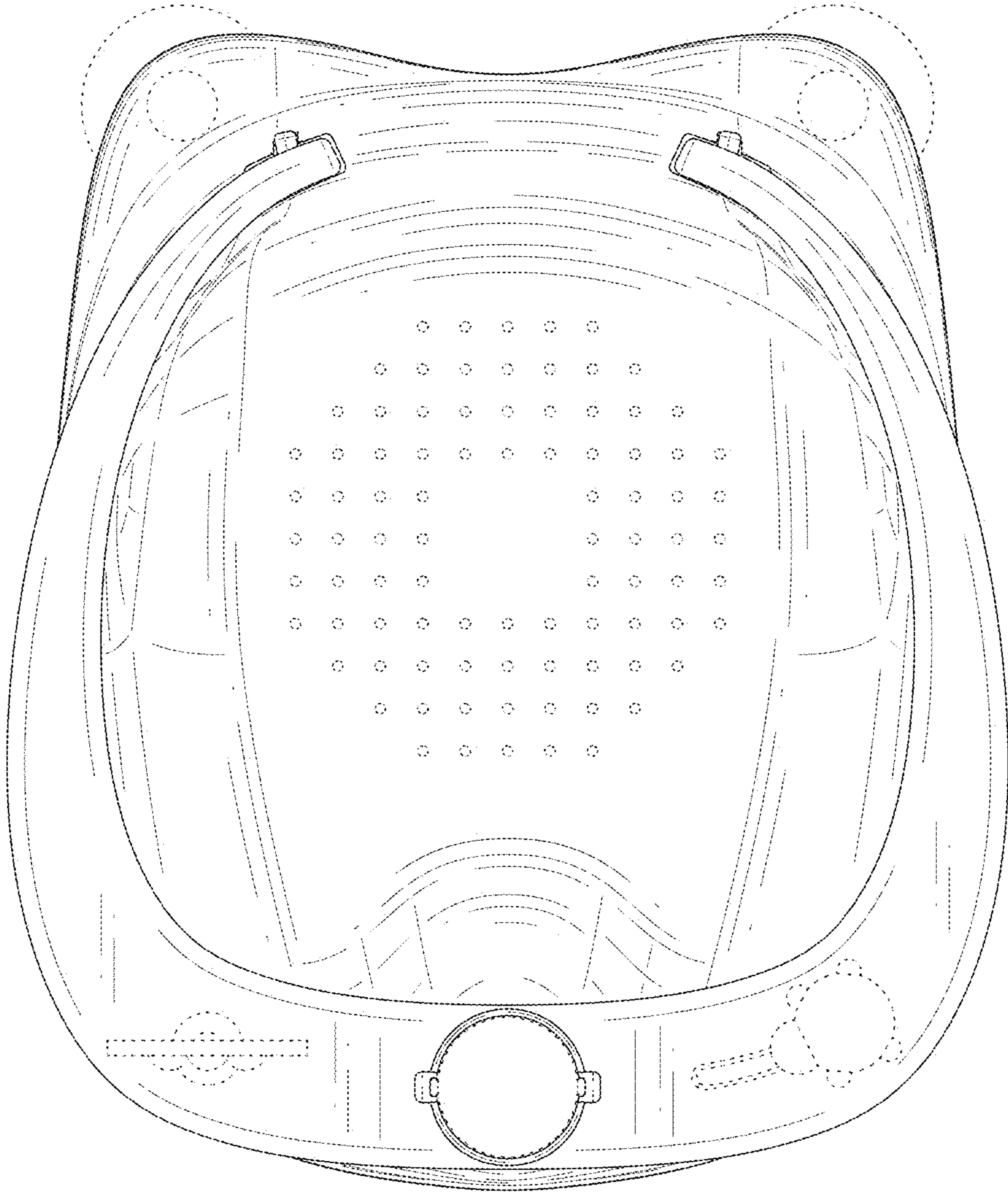


FIG. 7

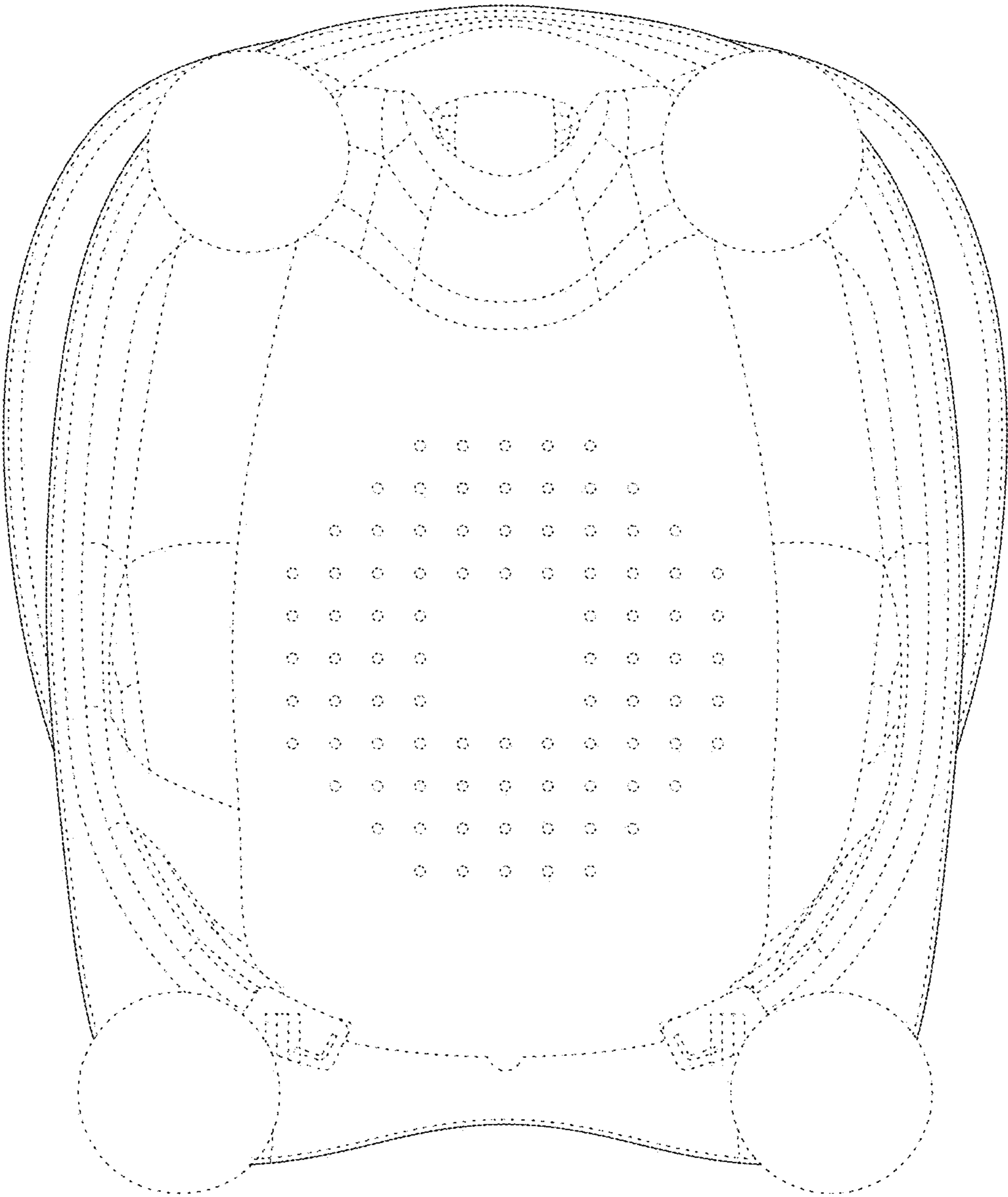


FIG. 8

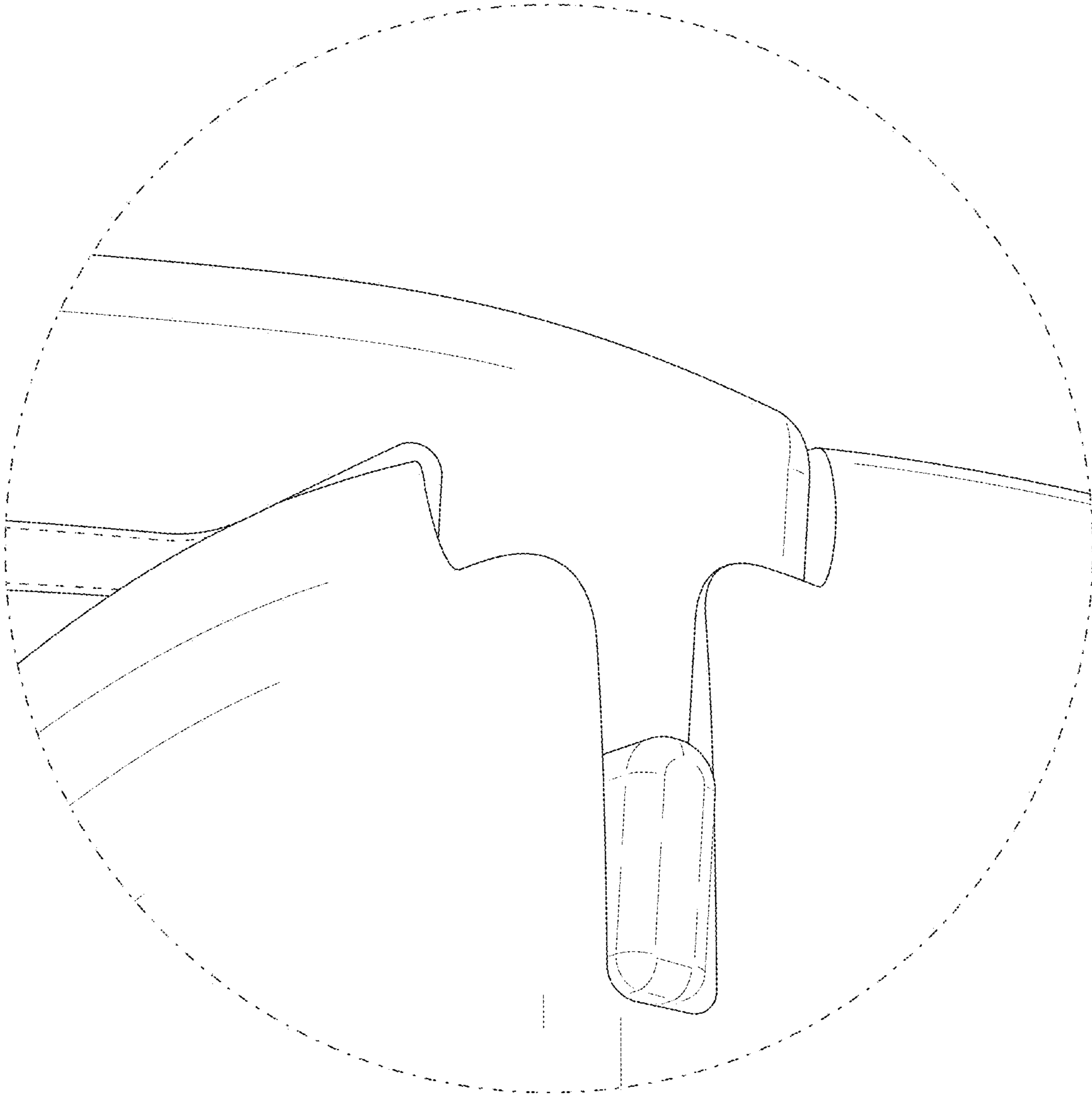


FIG. 9