



US0D1041146S

(12) **United States Design Patent**  
**Dunham**

(10) **Patent No.:** **US D1,041,146 S**  
(45) **Date of Patent:** **\*\* Sep. 10, 2024**

(54) **FOOTWEAR**

(71) Applicant: **Target Brands, Inc.**, Minneapolis, MN  
(US)

(72) Inventor: **Austyn Dunham**, Minneapolis, MN  
(US)

(73) Assignee: **Target Brands, Inc.**, Minneapolis, MN  
(US)

(\*\*) Term: **15 Years**

(21) Appl. No.: **29/844,060**

(22) Filed: **Jun. 27, 2022**

**Related U.S. Application Data**

(62) Division of application No. 29/754,531, filed on Oct. 12, 2020, now Pat. No. Des. 957,107.

(51) **LOC (14) Cl.** ..... **02-04**

(52) **U.S. Cl.**  
USPC ..... **D2/953**; D2/957; D2/960; D2/947

(58) **Field of Classification Search**  
USPC ..... D2/897, 902, 906, 908, 909–911, 916,  
D2/918, 925, 946–962, 977  
CPC ..... A43B 13/00; A43B 13/02; A43B 13/023;  
A43B 13/026; A43B 13/04; A43B 13/08;  
A43B 13/10; A43B 13/12; A43B 13/14;  
A43B 13/141; A43B 13/143; A43B  
13/16; A43B 13/18; A43B 13/181; A43B  
13/187; A43B 13/189; A43B 13/20; A43B  
13/22; A43B 13/223; A43B 13/24; A43B  
13/28; A43B 13/30; A43B 13/32; A43B  
13/34; A43B 13/36

See application file for complete search history.

(56) **References Cited**

**U.S. PATENT DOCUMENTS**

296,519 A \* 4/1884 Brooks ..... A43B 13/223  
36/32 R  
D123,898 S \* 12/1940 Tousley ..... D2/953  
D238,910 S \* 2/1976 Persson ..... D2/910  
D243,565 S \* 3/1977 De Massacre ..... D2/910

(Continued)

**FOREIGN PATENT DOCUMENTS**

CN 304134158 5/2017  
CN 306969084 6/2021

(Continued)

**OTHER PUBLICATIONS**

Journee Collection, Womens North Snow Boot, (Aug. 2, 2018),  
Amazon.com, [site visited: Jan. 3, 2022], Available from URL:  
<https://www.amazon.com/Journee-Collection-Womens-North-Snow/dp/B07G4FFS36?th=1> (Year: 2018).

(Continued)

*Primary Examiner* — Jonathan J Han

*Assistant Examiner* — Molly K. Orzechowski

(74) *Attorney, Agent, or Firm* — Merchant & Gould P.C.

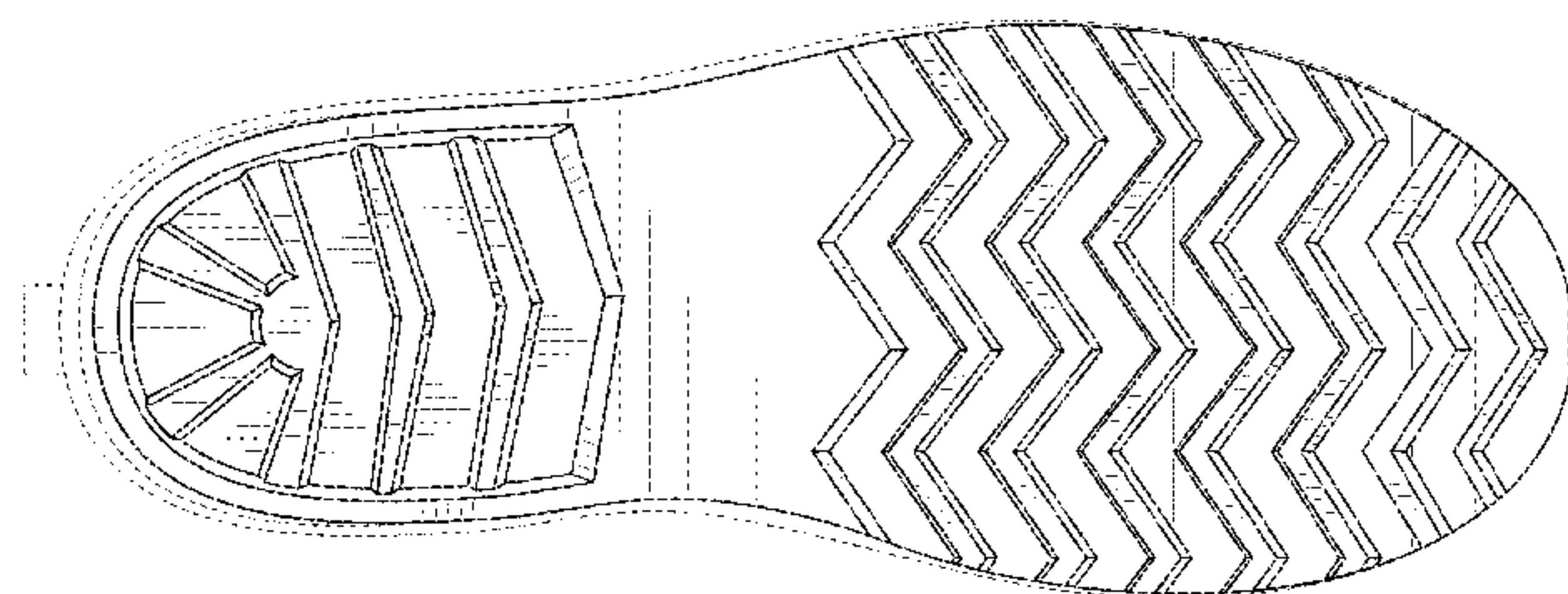
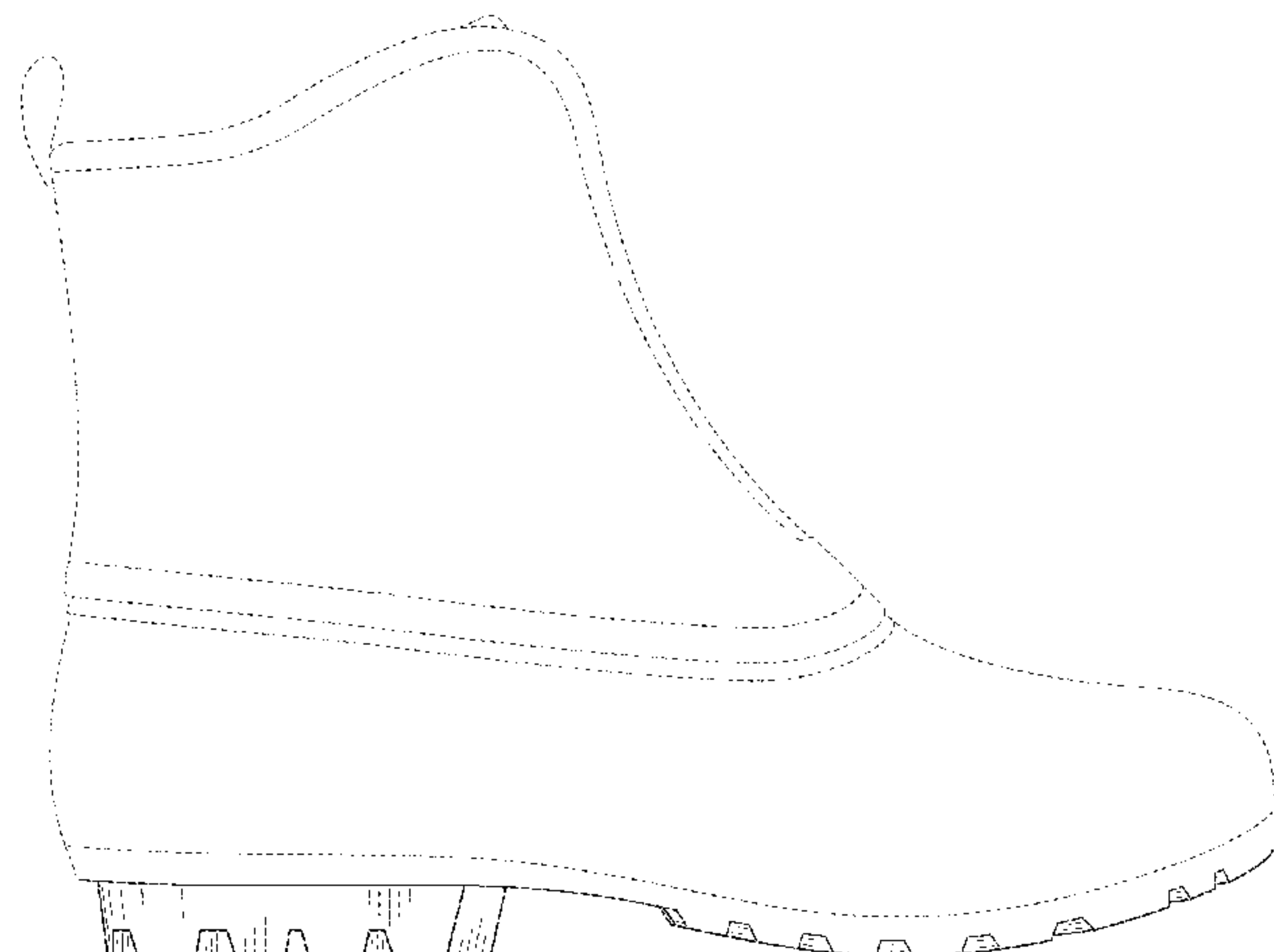
(57) **CLAIM**

The ornamental design for a footwear, as shown and described.

**DESCRIPTION**

FIG. 1 is a front, top and right side perspective view of an embodiment of a footwear, according to the new design; FIG. 2 is a front side view thereof; FIG. 3 is a back side view thereof; FIG. 4 is a right side view thereof; FIG. 5 is a left side view thereof; FIG. 6 is a top view thereof; FIG. 7 is a bottom view thereof; and, FIG. 8 is a back, bottom, and left side perspective view thereof.

**1 Claim, 8 Drawing Sheets**



(56)

References Cited

U.S. PATENT DOCUMENTS

D247,998 S 5/1978 Lobosco  
 D286,342 S 10/1986 Stubblefield  
 D287,185 S \* 12/1986 Sironi ..... D2/960  
 D351,054 S \* 10/1994 Minkin ..... D2/952  
 D368,796 S 4/1996 Fabio  
 D382,692 S 8/1997 Carlson  
 D394,540 S \* 5/1998 Egelja ..... D2/910  
 5,575,005 A 7/1998 McClelland  
 D398,144 S \* 9/1998 Egelja ..... D2/960  
 D408,972 S 5/1999 Greenberg  
 D470,297 S \* 2/2003 Wilson ..... D2/960  
 D496,776 S 10/2004 Wu  
 D499,233 S 12/2004 Sedlbauer  
 D516,285 S 3/2006 Sedlbauer  
 D517,791 S 3/2006 Sedlbauer  
 D517,792 S 3/2006 Sedlbauer  
 D524,019 S 7/2006 Matis et al.  
 D539,024 S 3/2007 Belley et al.  
 D547,540 S 7/2007 Maderspach  
 D556,438 S 12/2007 Maderspach  
 D569,595 S \* 5/2008 Le ..... D2/960  
 D575,951 S 9/2008 St-Louis  
 D581,640 S \* 12/2008 Earle ..... D2/960  
 D582,651 S 12/2008 Andersen et al.  
 D594,638 S 6/2009 Butler  
 D599,539 S 9/2009 St-Louis  
 D600,895 S \* 9/2009 Morgan ..... D2/951  
 D602,682 S \* 10/2009 Joules ..... D2/953  
 D617,541 S 6/2010 Petrie  
 D632,882 S 2/2011 O'Rorke  
 D648,929 S 11/2011 Van Zyll De Jong et al.  
 D660,570 S 5/2012 Joseph  
 D662,304 S 6/2012 Spring  
 D664,345 S 7/2012 Joseph  
 D677,871 S 3/2013 Portzline  
 D677,873 S 3/2013 Portzline  
 D678,666 S 3/2013 Portzline  
 D699,932 S 2/2014 Lubart  
 D701,024 S 3/2014 Youngs et al.  
 D701,372 S 3/2014 Portzline  
 D701,377 S 3/2014 Spring  
 D701,683 S 4/2014 Neely  
 D714,534 S \* 10/2014 Spring ..... D2/951  
 D728,911 S 5/2015 Spring  
 D740,534 S 10/2015 Spring  
 D754,424 S 4/2016 Spring  
 D754,425 S 4/2016 Deas  
 D779,804 S 2/2017 MacIntyre

D790,821 S 7/2017 Beers  
 D793,050 S 8/2017 Li  
 D795,541 S 8/2017 Henrichot et al.  
 9,930,929 B2 4/2018 Cooper  
 D819,945 S 6/2018 Escobar  
 D831,939 S 10/2018 Goldberg  
 10,258,104 B2 4/2019 Kraft  
 D851,376 S 6/2019 de Montgolfier  
 D866,934 S 11/2019 Zeng  
 D868,435 S \* 12/2019 Wu ..... D2/960  
 D873,541 S \* 1/2020 Wu ..... D2/960  
 D874,808 S 2/2020 Prochmann  
 D882,216 S \* 4/2020 Zhang ..... D2/960  
 D882,911 S \* 5/2020 Zhang ..... D2/960  
 D899,739 S 10/2020 Goldberg  
 10,856,612 B2 12/2020 Heard  
 D910,292 S 2/2021 Britton  
 D919,266 S 5/2021 Cui  
 D934,547 S 11/2021 Dunham  
 D948,177 S 4/2022 Graziano  
 D948,186 S 4/2022 Gibson  
 D950,925 S \* 5/2022 Dunham ..... D2/896  
 D957,107 S \* 7/2022 Dunham ..... D2/951  
 D959,803 S \* 8/2022 Lv ..... D2/947  
 D966,667 S \* 10/2022 Dunham ..... D2/947  
 D972,818 S \* 12/2022 Dunham ..... D2/947  
 D972,819 S \* 12/2022 Dunham ..... D2/947  
 D985,896 S \* 5/2023 Chen ..... D2/954  
 D992,243 S \* 7/2023 Lee ..... D2/896  
 2019/0365028 A1 12/2019 Fakhouri

FOREIGN PATENT DOCUMENTS

CN 306996081 6/2021  
 CN 300764928 12/2021  
 GB 9007955364-0043 5/2020  
 KR 301114084.0000 11/2021  
 RU 00050411 6/2002

OTHER PUBLICATIONS

Combat Boots, Ripple Sole 13W, (Dec. 20, 2021), eBay.com, [site visited: Jan. 3, 2022], Available from URL: <https://www.ebay.com/itm/183925054354> (Year: 2021).  
 Universal Thread, Women's Tiffy Waterproof Duck Boots, (2021), Target.com, [site visited: Feb. 4, 2022], Available from URL: <https://www.target.com/p/women-s-tiffy-waterproof-duck-boots-universal-thread/-/A-82390220?preselect=82258105#1nk=sametab> (Year: 2021).

\* cited by examiner

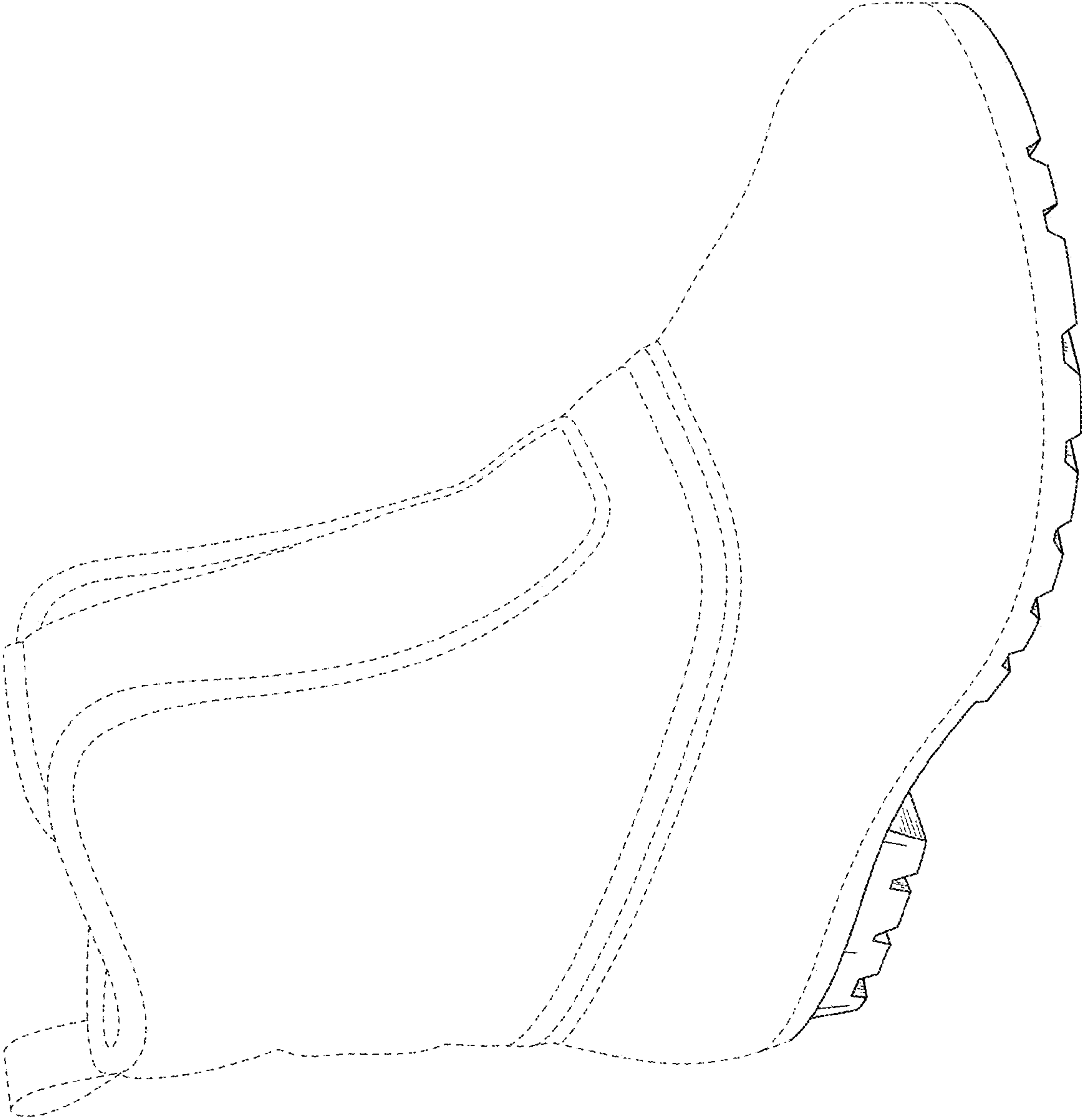


FIG. 1

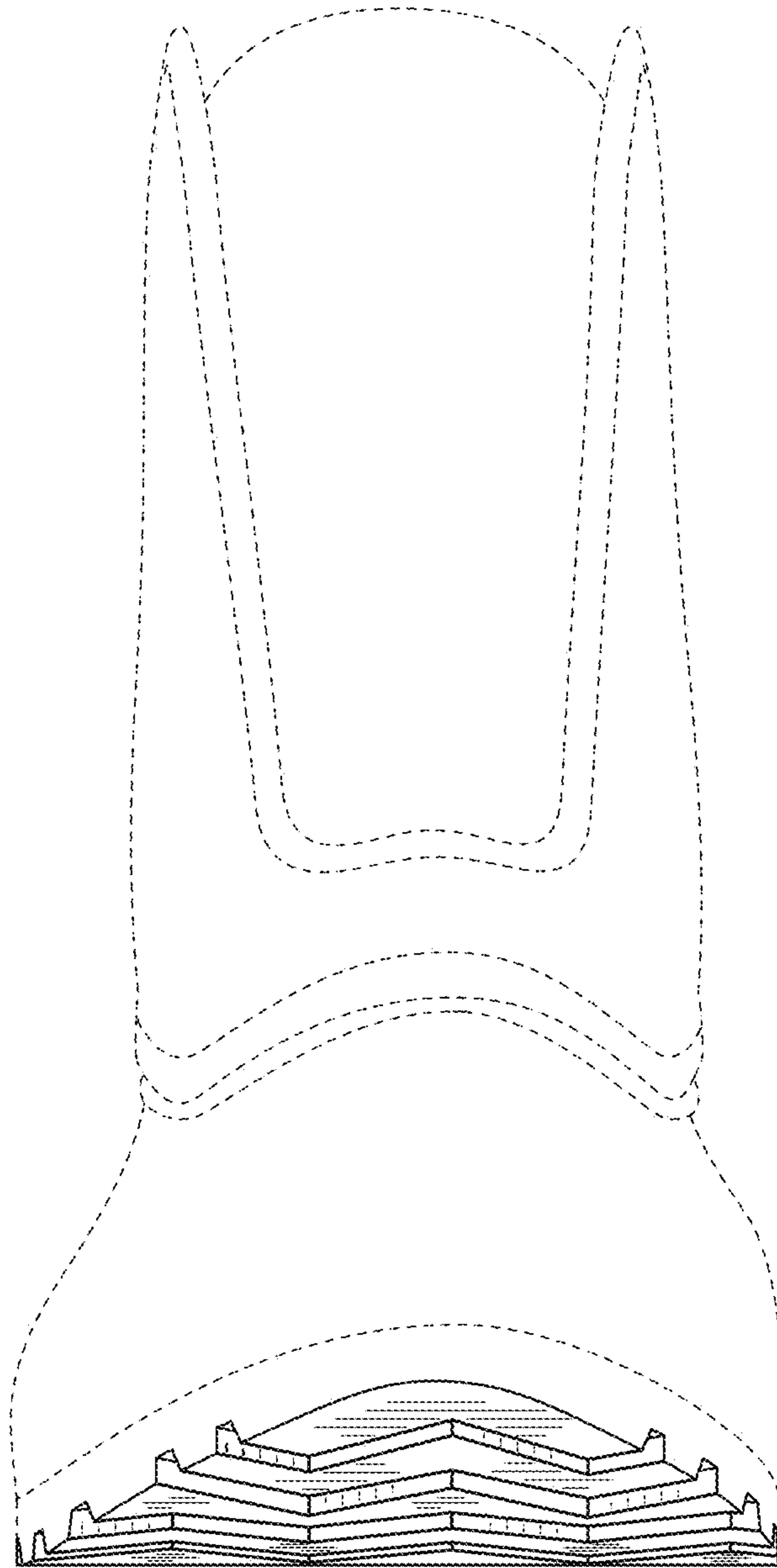


FIG. 2



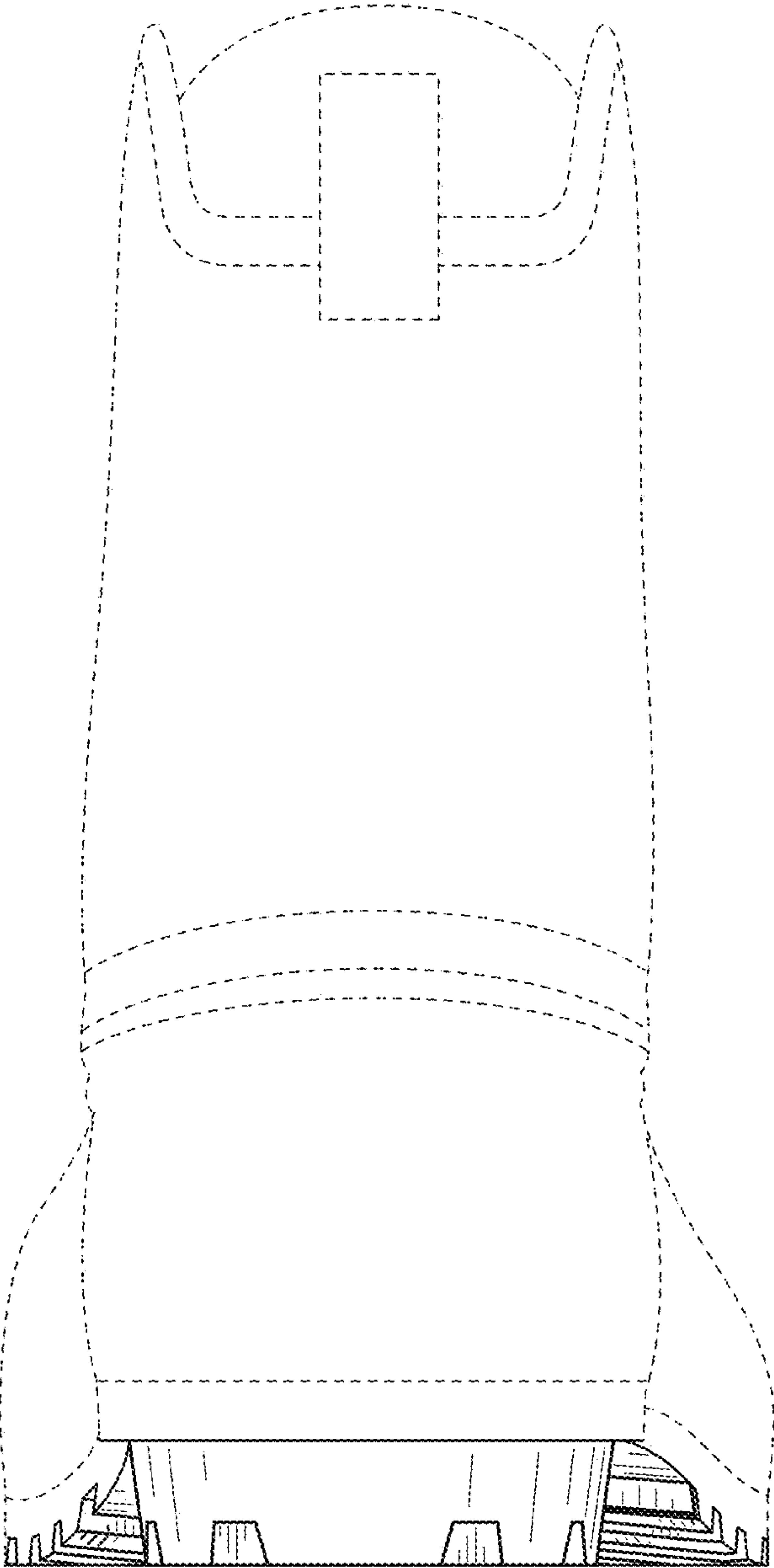


FIG. 3

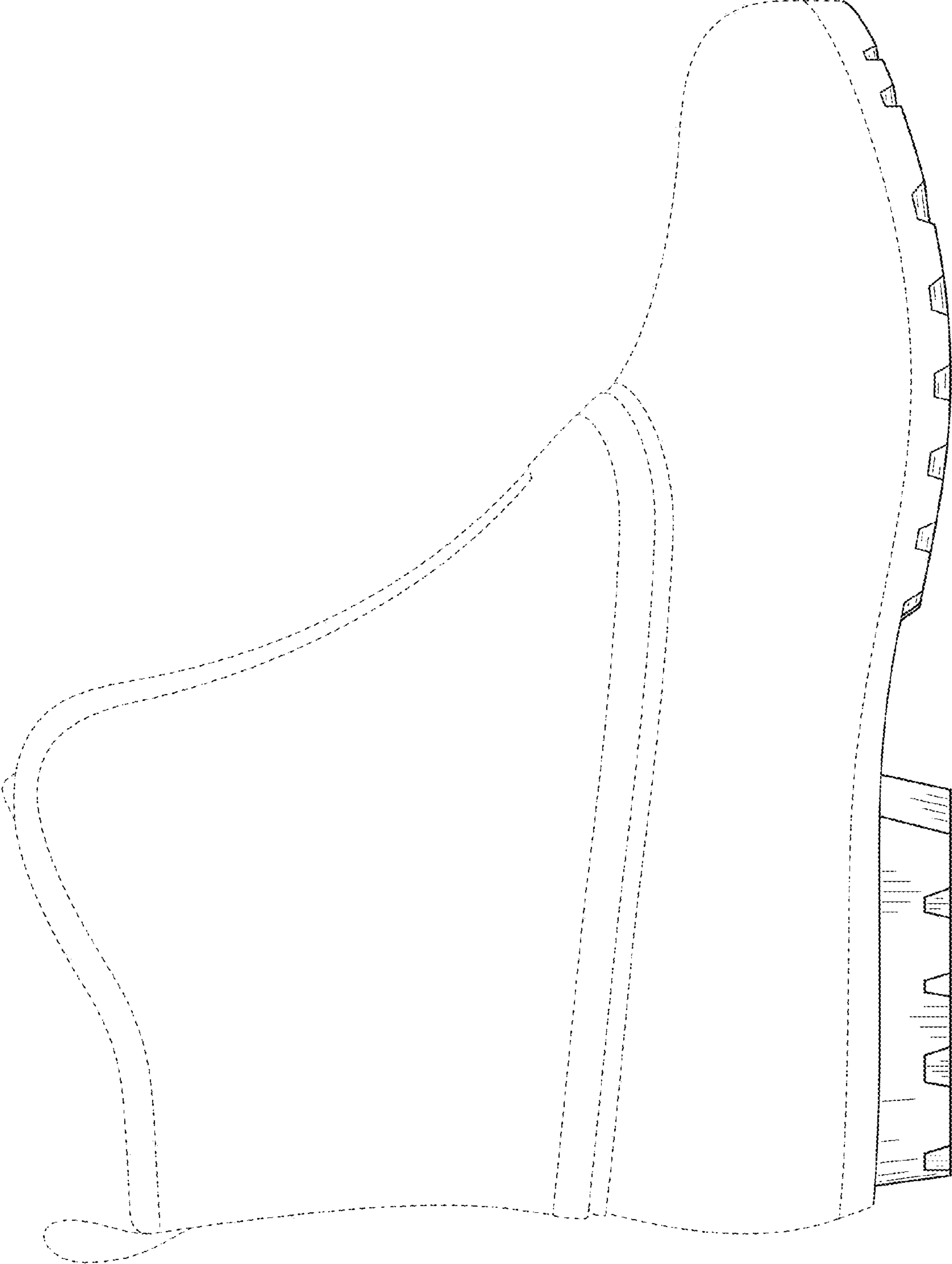


FIG. 4

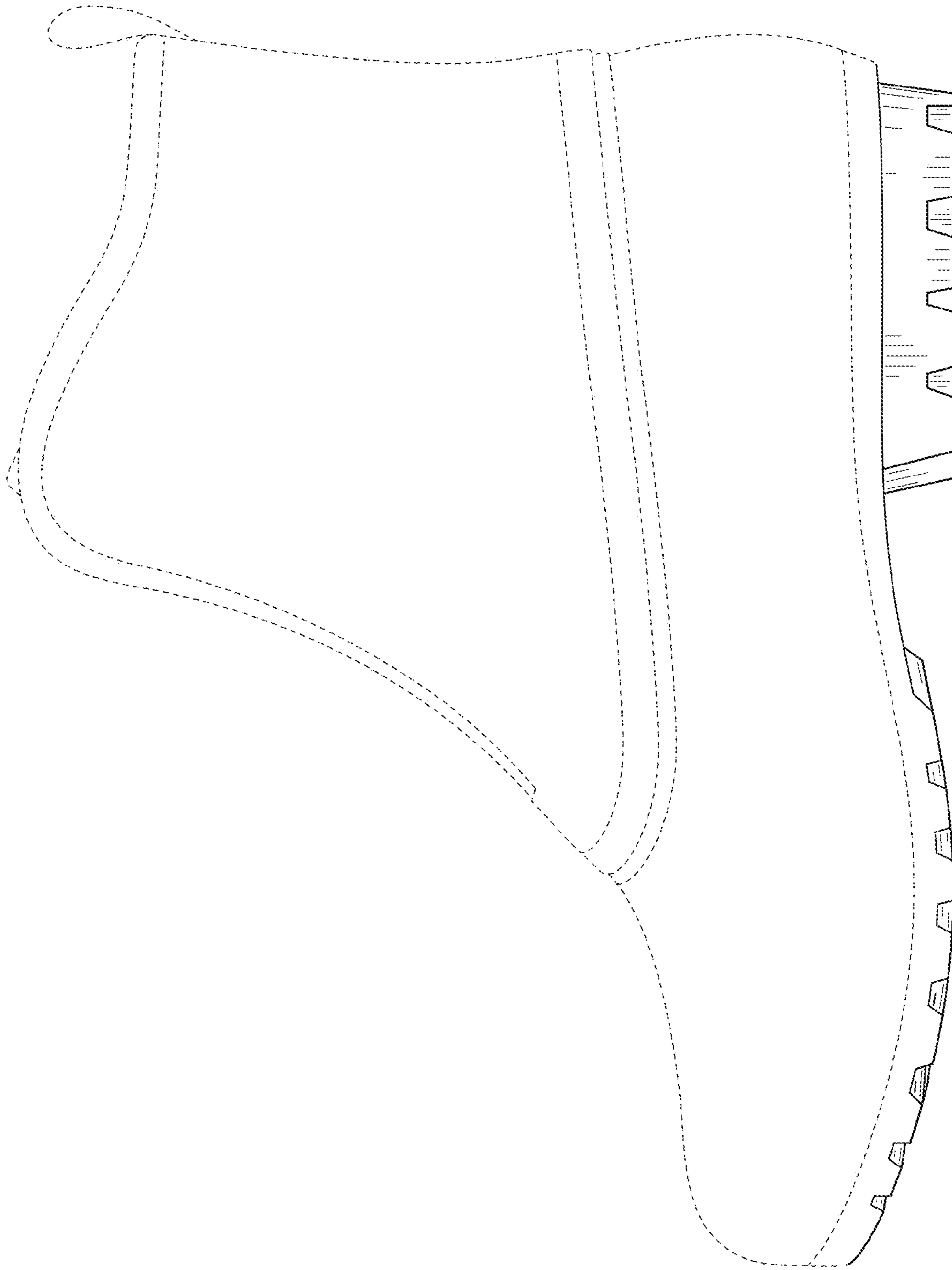


FIG. 5

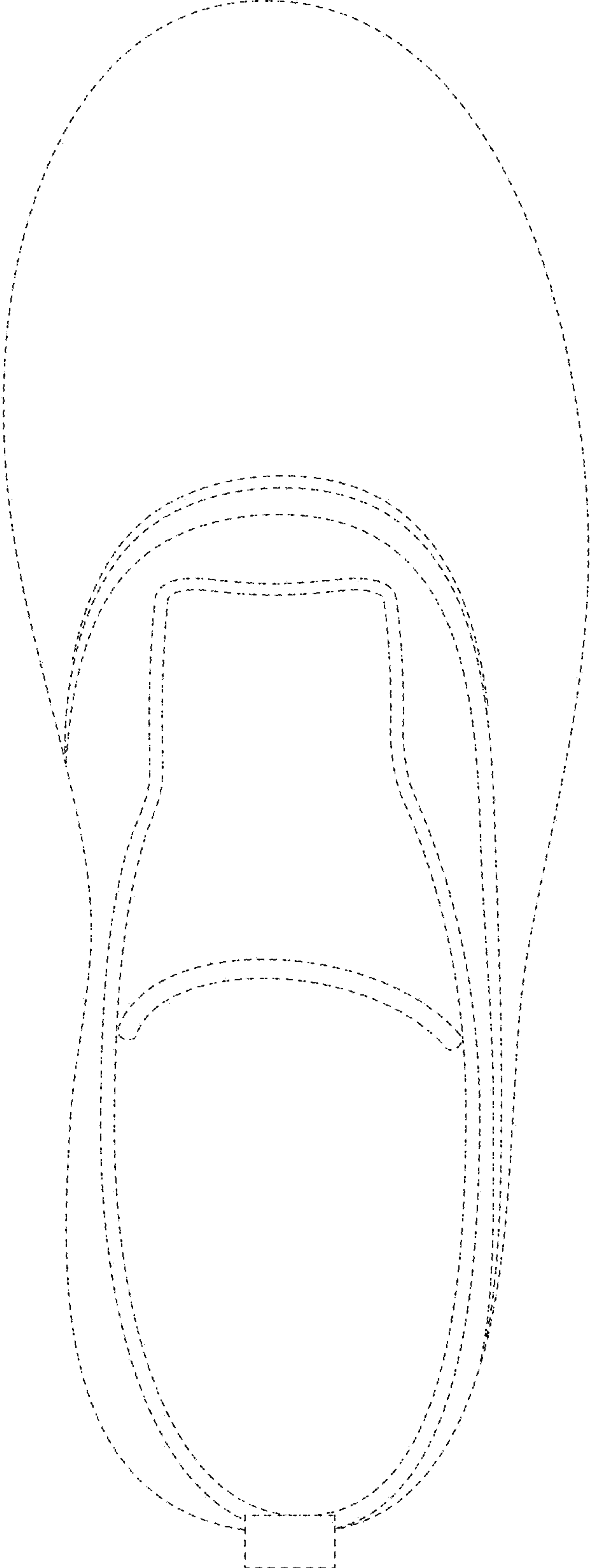


FIG. 6



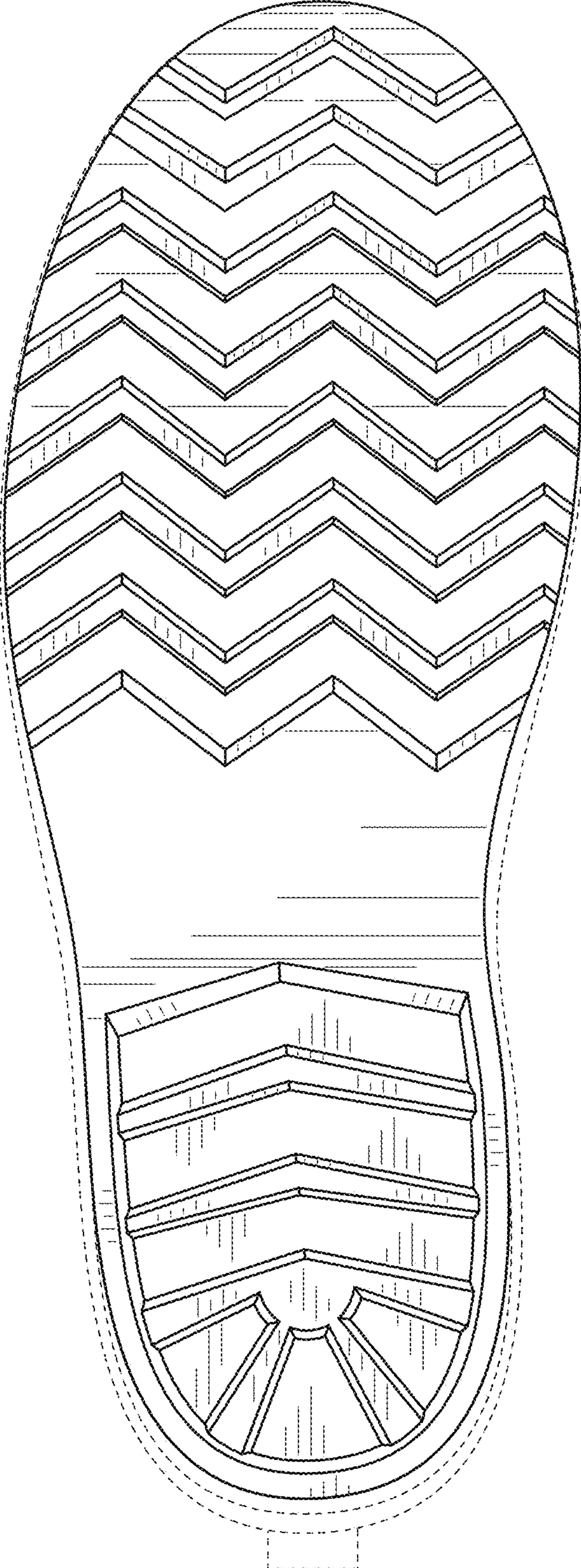


FIG. 7

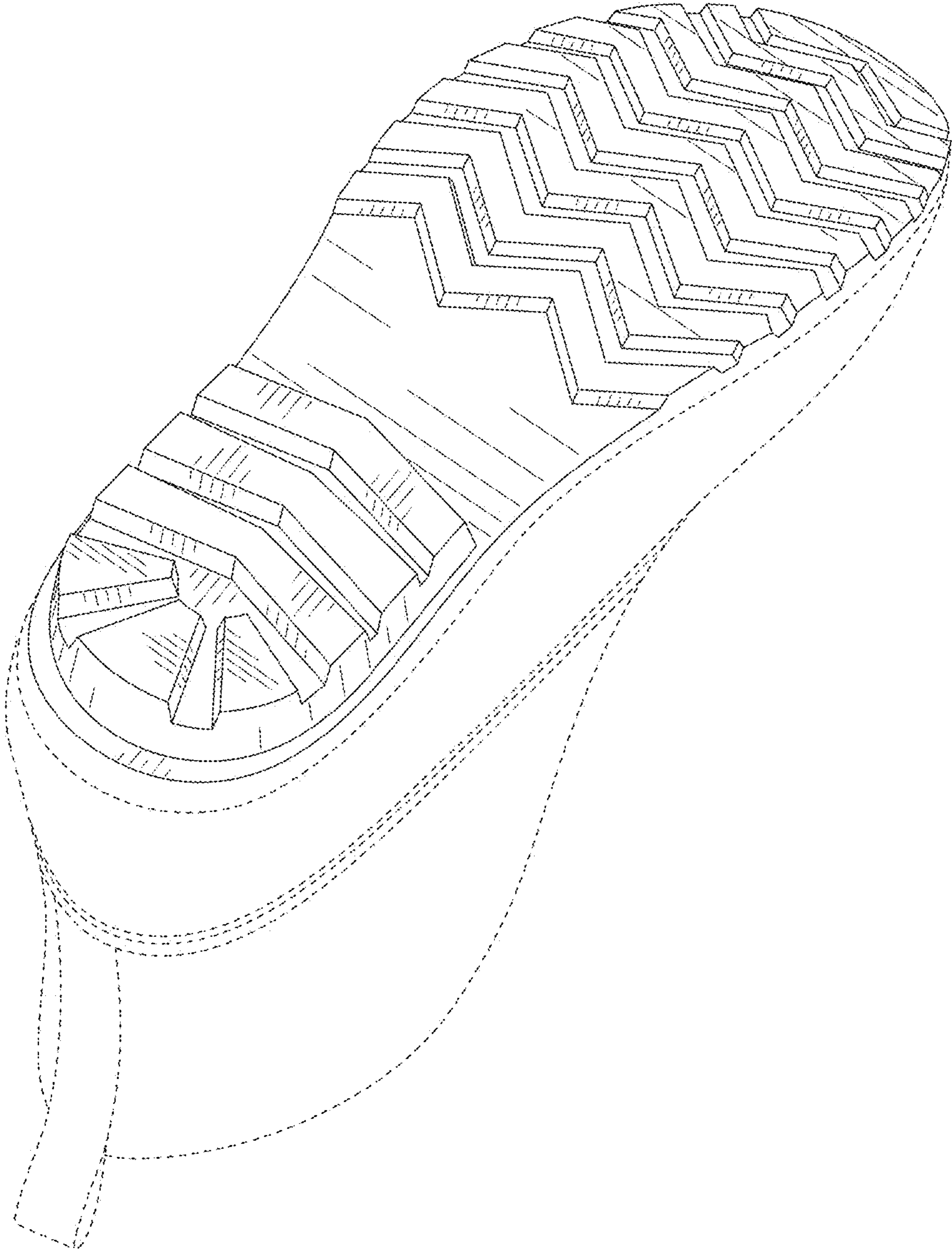


FIG. 8