



US0D1041094S

(12) **United States Design Patent** (10) **Patent No.:** **US D1,041,094 S**
Zhou (45) **Date of Patent:** **** Sep. 3, 2024**

(54) **PET COMPANION ROBOT**

FOREIGN PATENT DOCUMENTS

(71) Applicant: **555ELEMENTA, INC.**, New York, NY (US)

CN 307310757 * 5/2022

(72) Inventor: **Min Zhou**, New York, NY (US)

OTHER PUBLICATIONS

(73) Assignee: **555ELEMENTA, INC.**, New York, NY (US)

Pumpkii Pet Camera for Dog and Cat, Self-Charging Smart Pet Treat Dispenser Robot, Automatic Cat Feeders, Moving Home Security Camera Night Vision; posted Dec. 22, 2022, retrieved Apr. 4, 2024 [online]. URL: <https://www.amazon.com/dp/B0BQX84VCK?th=1> (Year: 2022).*

(**) Term: **15 Years**

Pet Toys Webcam Full HD 1080P Smart Pet Robott Robot Pet Toys Robot with Dog Camera Treat Cat Toy Intelligent Companion Robot; posting date unavailable, retrieved Apr. 4, 2024 [online]. URL: <https://www.aliexpress.us/item/3256804984977972.html> (Year: 2024).*

(21) Appl. No.: **29/823,202**

(22) Filed: **Jan. 14, 2022**

(51) **LOC (14) Cl.** **30-12**

* cited by examiner

(52) **U.S. Cl.**
USPC **D30/160**

(58) **Field of Classification Search**
USPC D30/121, 122, 129, 130, 160, 199;
D21/398, 443, 533, 578, 710; D15/199
CPC .. A01K 5/0114; A01K 5/0291; A01K 15/025;
A01K 15/026
See application file for complete search history.

Primary Examiner — Samantha Wood

Assistant Examiner — Emily A Caven

(74) *Attorney, Agent, or Firm* — NKL Law; Allen Xue

(57) **CLAIM**

I claim the ornamental design for a pet companion robot, as shown and described.

DESCRIPTION

(56) **References Cited**

U.S. PATENT DOCUMENTS

D357,201 S *	4/1995	Novack	D10/104.1
D483,281 S *	12/2003	Cobigo	D10/104.1
D686,572 S *	7/2013	Loya	D13/124
D725,323 S *	3/2015	Fang	D10/104.1
D836,147 S *	12/2018	Rao	D16/202
D840,620 S *	2/2019	Kim	D15/199
D855,094 S *	7/2019	Li	D15/199
D930,058 S *	9/2021	Mahe	D15/199
D968,727 S *	11/2022	Wu	D30/160
D989,142 S *	6/2023	Hyun	D15/199
D998,914 S *	9/2023	Qi	D30/160
D999,800 S *	9/2023	Chung	D15/199

FIG. 1 is a perspective view a pet companion robot, showing my new design;

FIG. 2 is a front elevation view thereof;

FIG. 3 is a rear elevation view thereof;

FIG. 4 is a left side elevation view thereof;

FIG. 5 is a right side elevation view thereof;

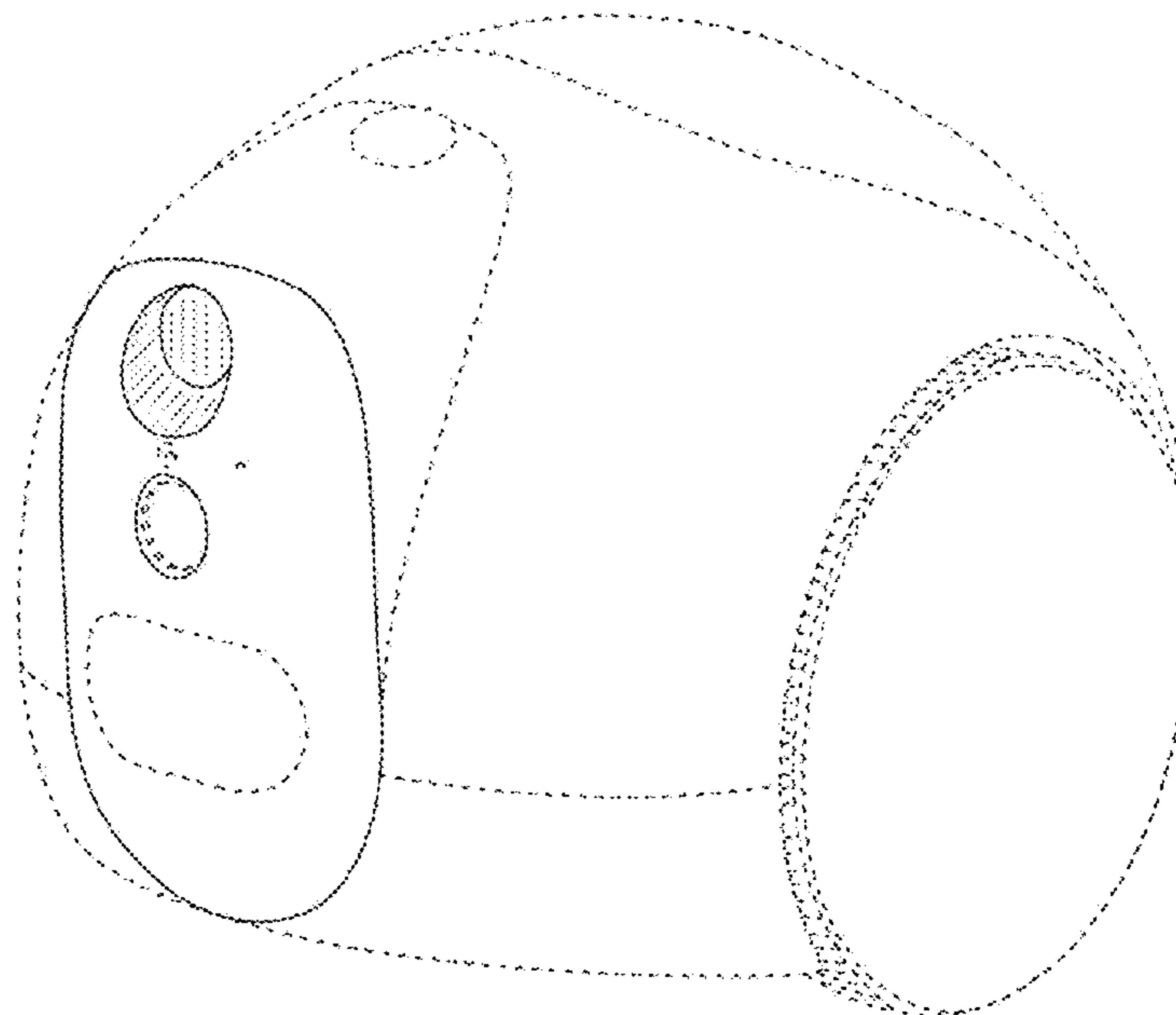
FIG. 6 is a top plan view thereof;

FIG. 7 is a bottom plan view thereof; and,

FIG. 8 is another perspective view thereof.

The broken lines in the drawings show portions of the pet companion robot that form no part of the claimed design.

1 Claim, 8 Drawing Sheets



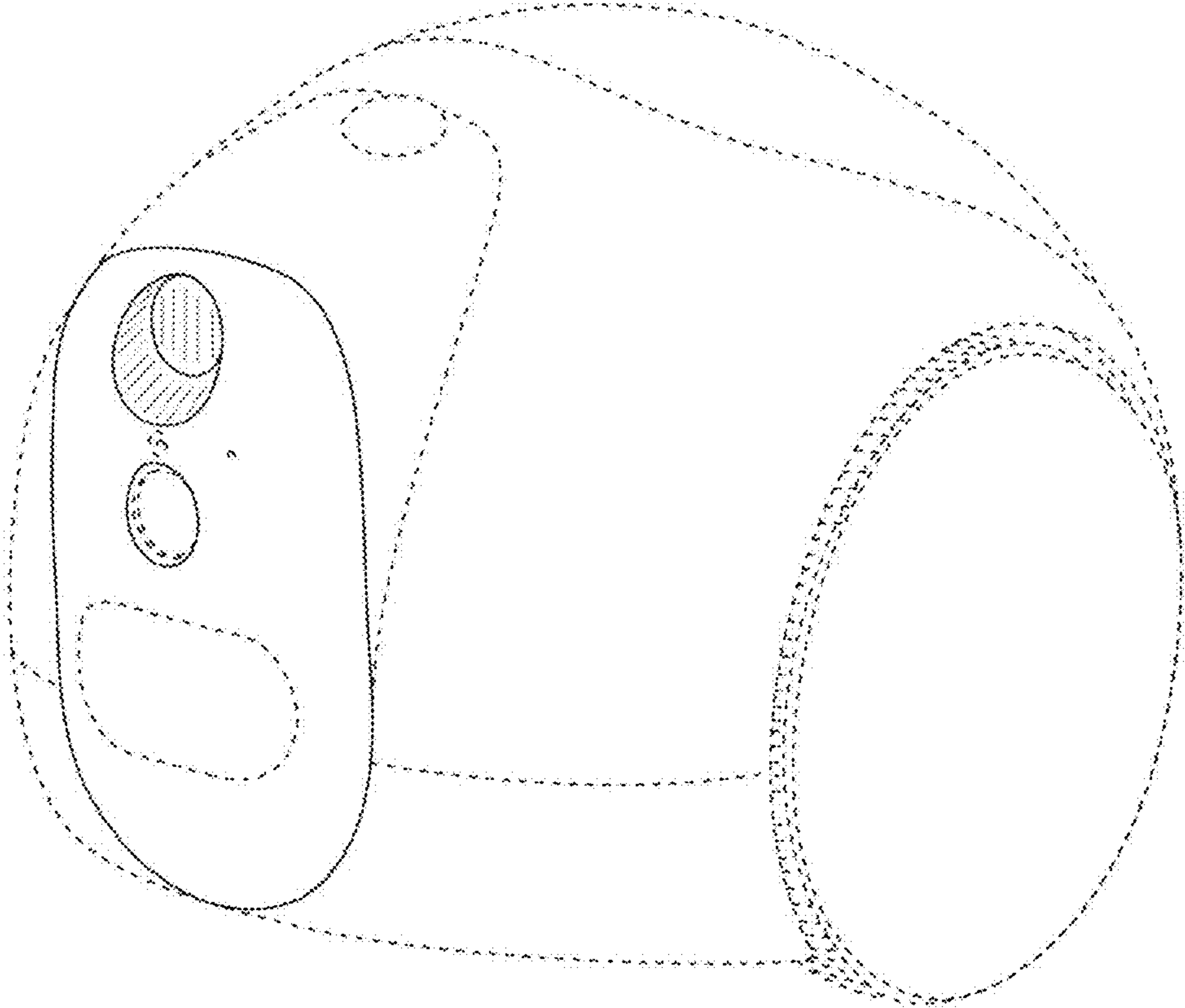


FIG. 1

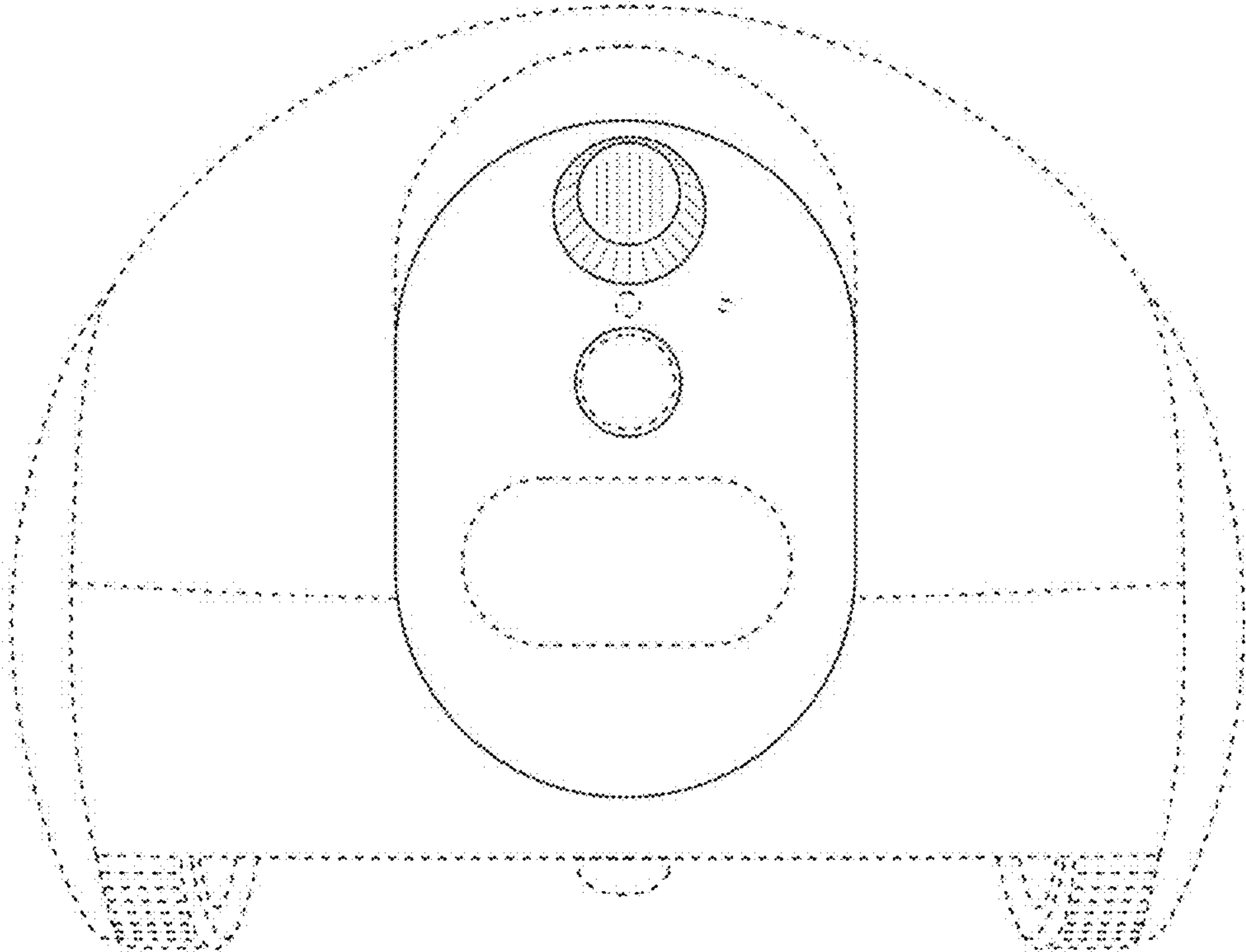


FIG. 2

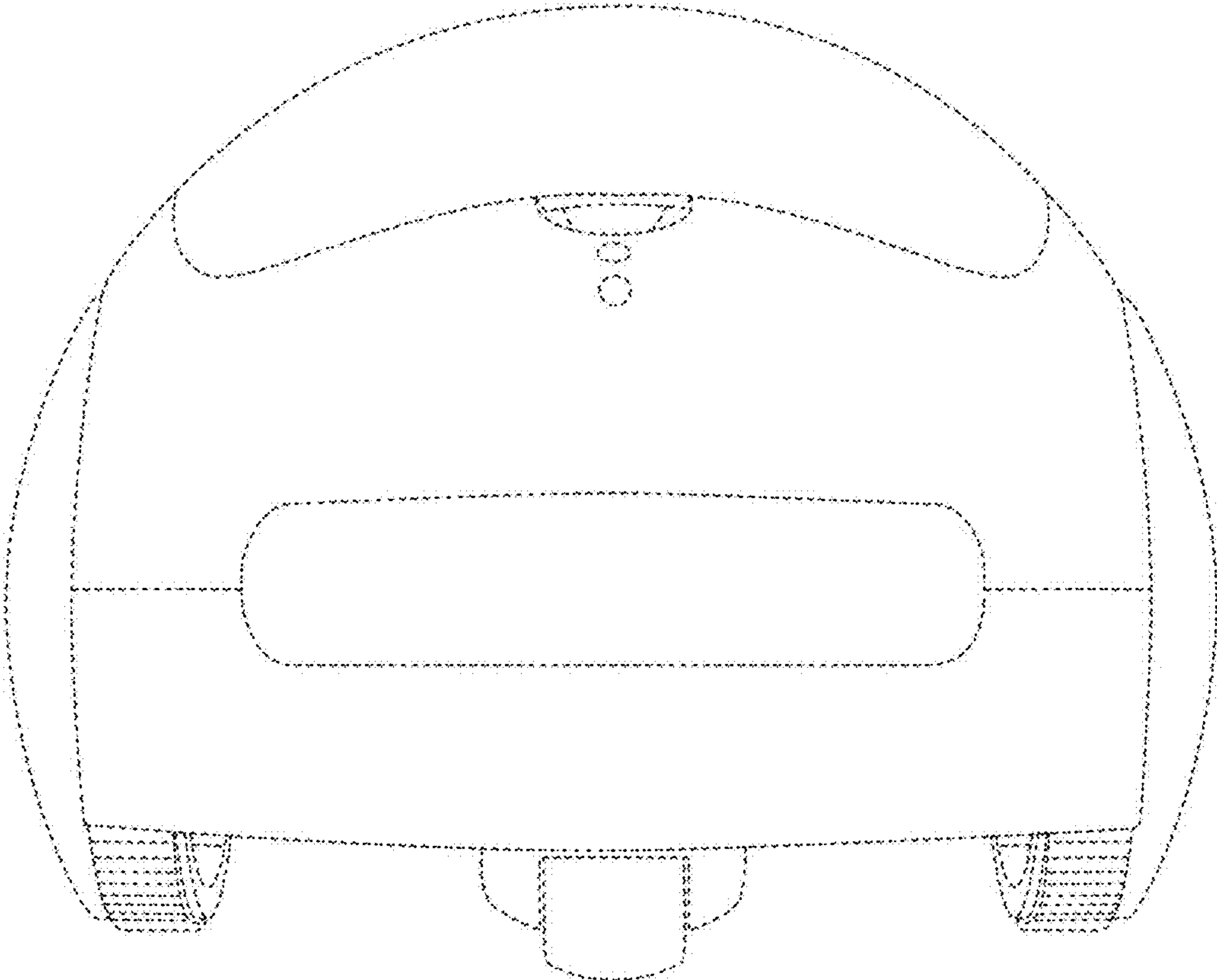


FIG. 3

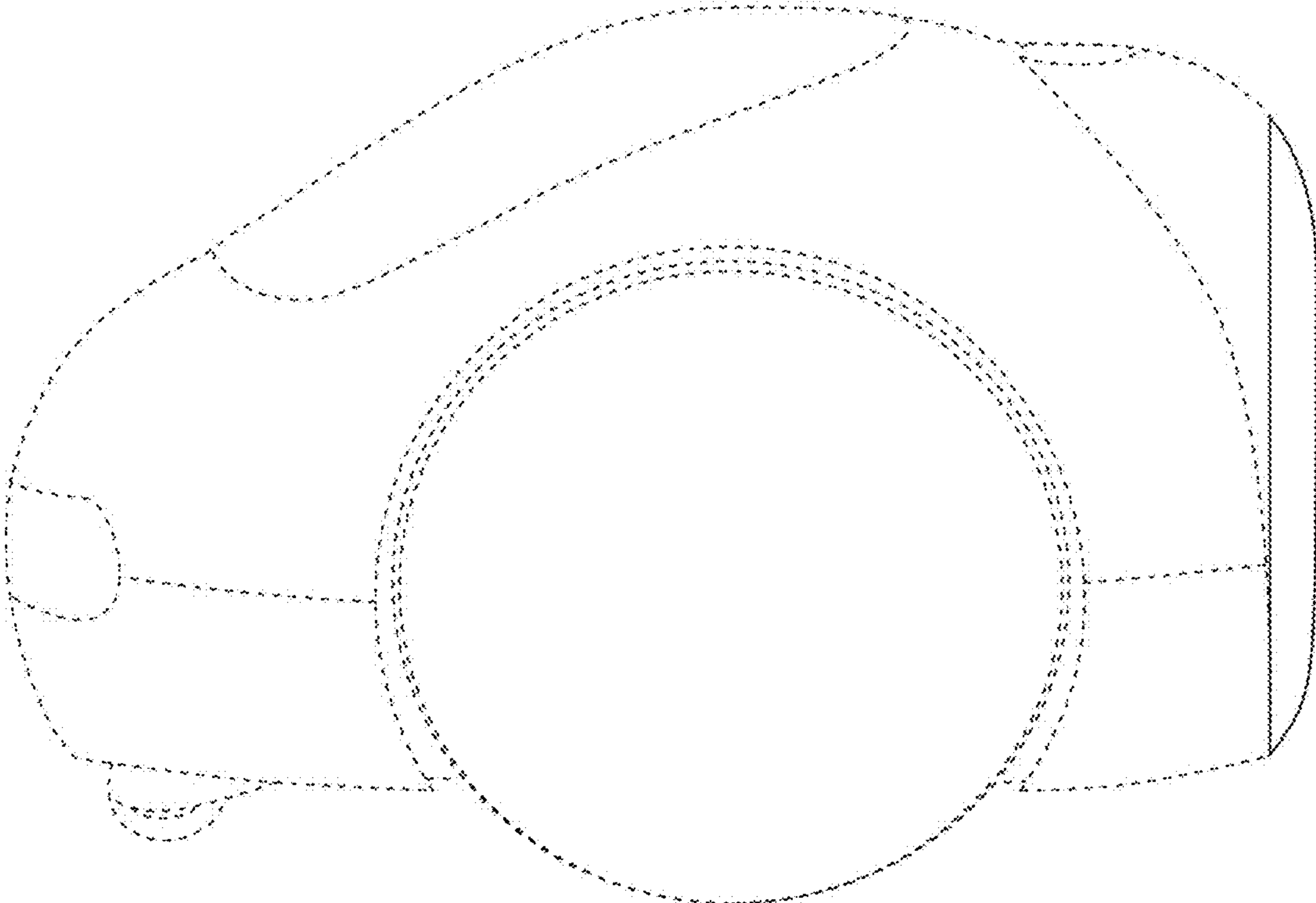


FIG. 4

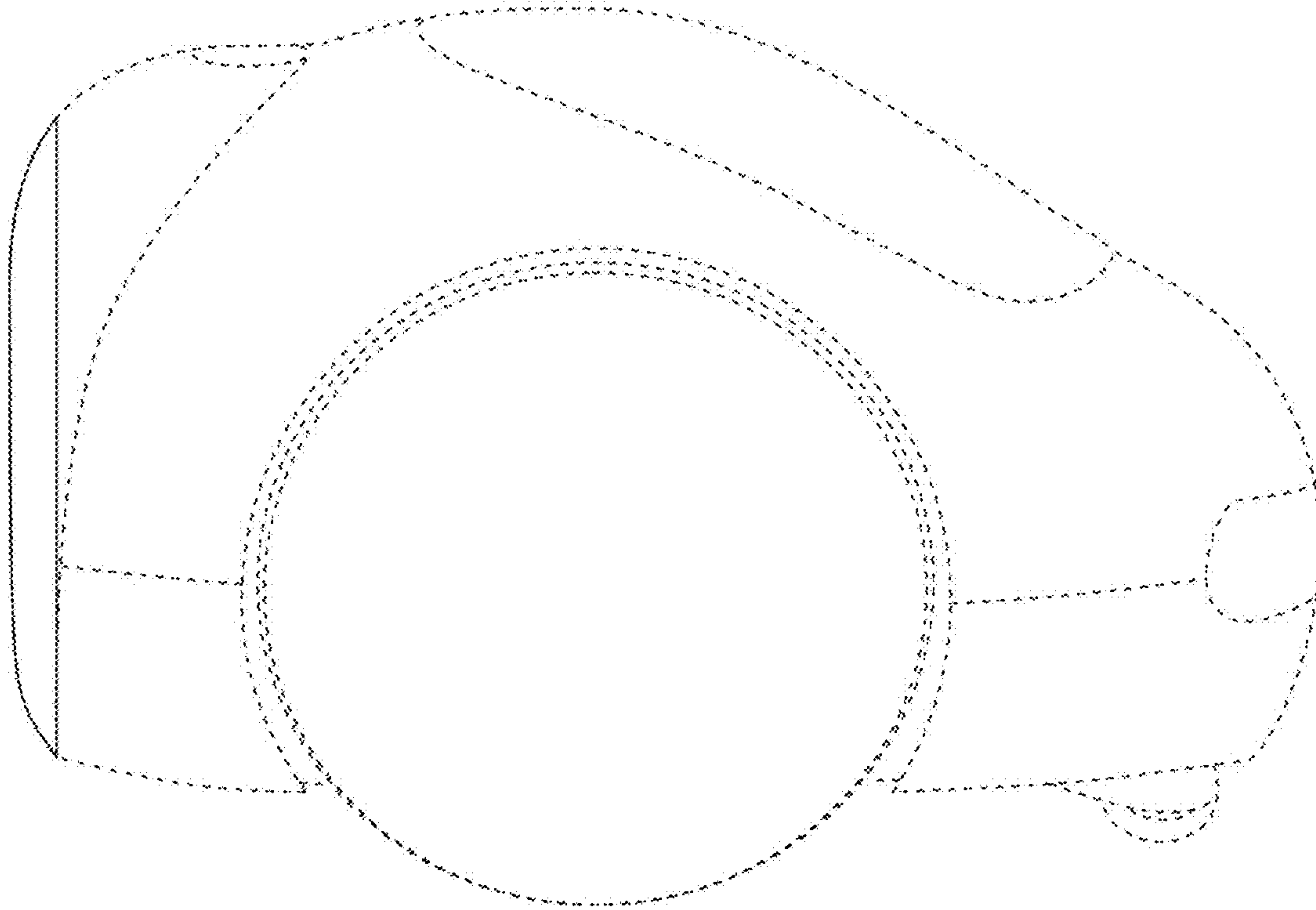


FIG. 5

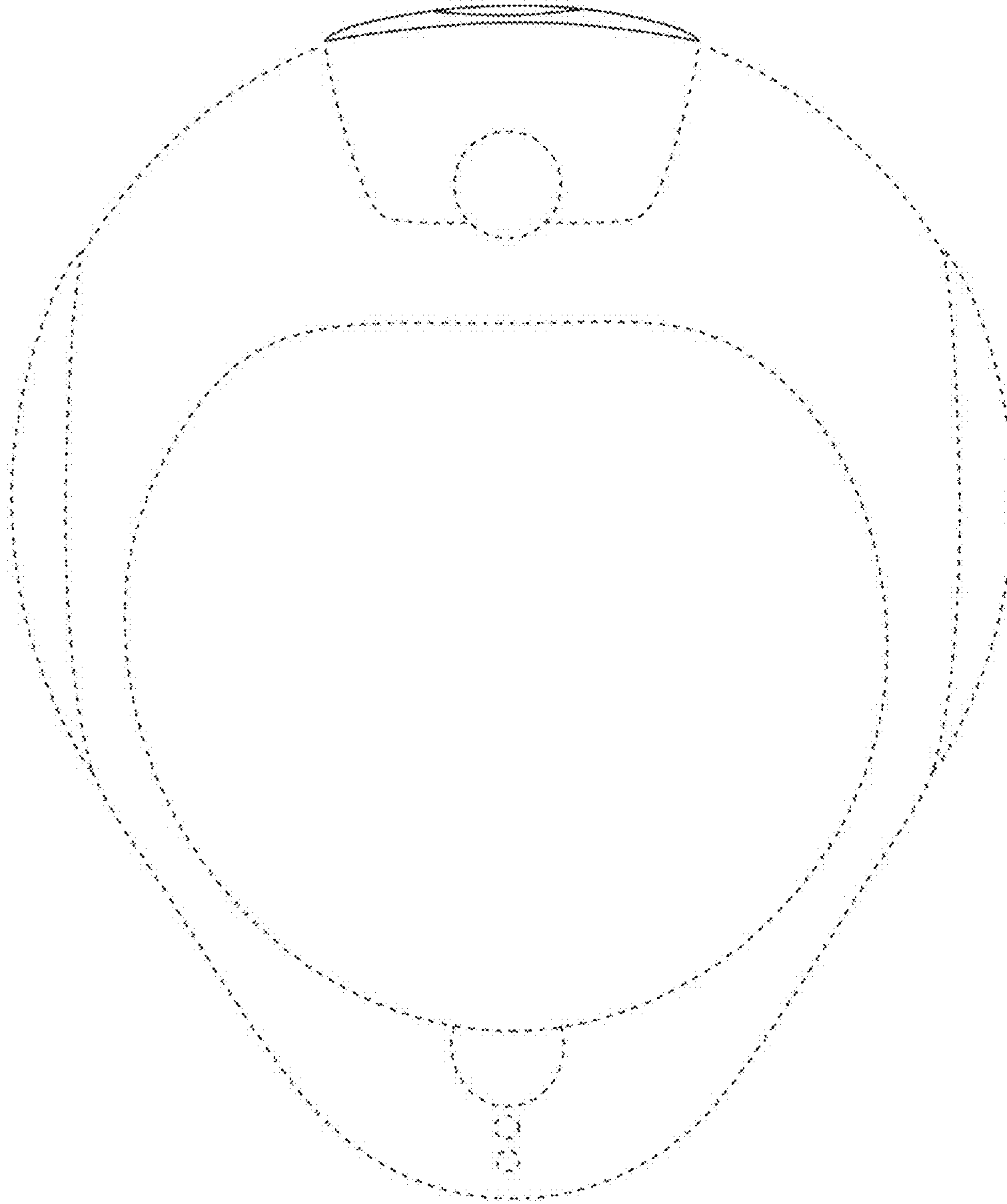


FIG. 6

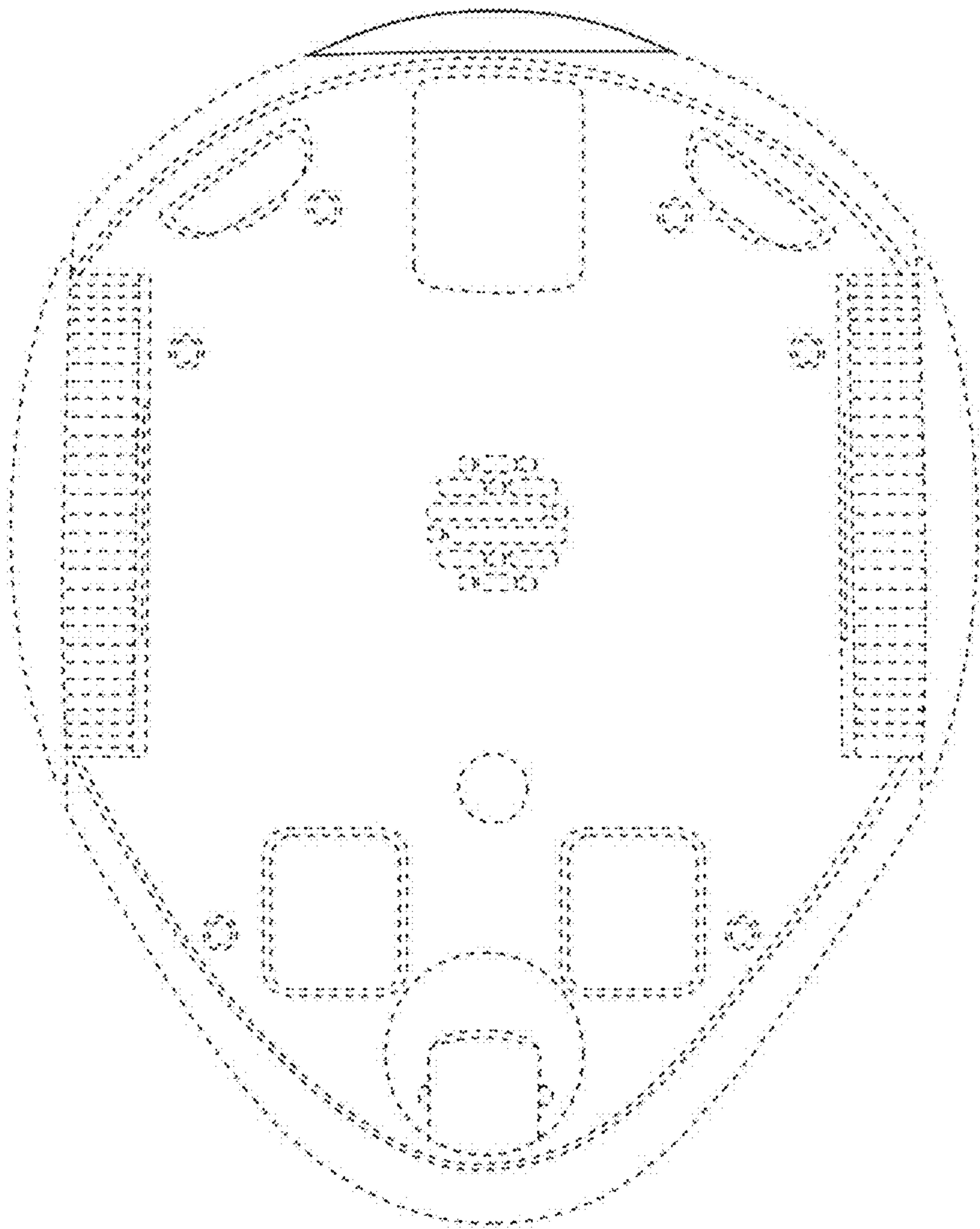


FIG. 7

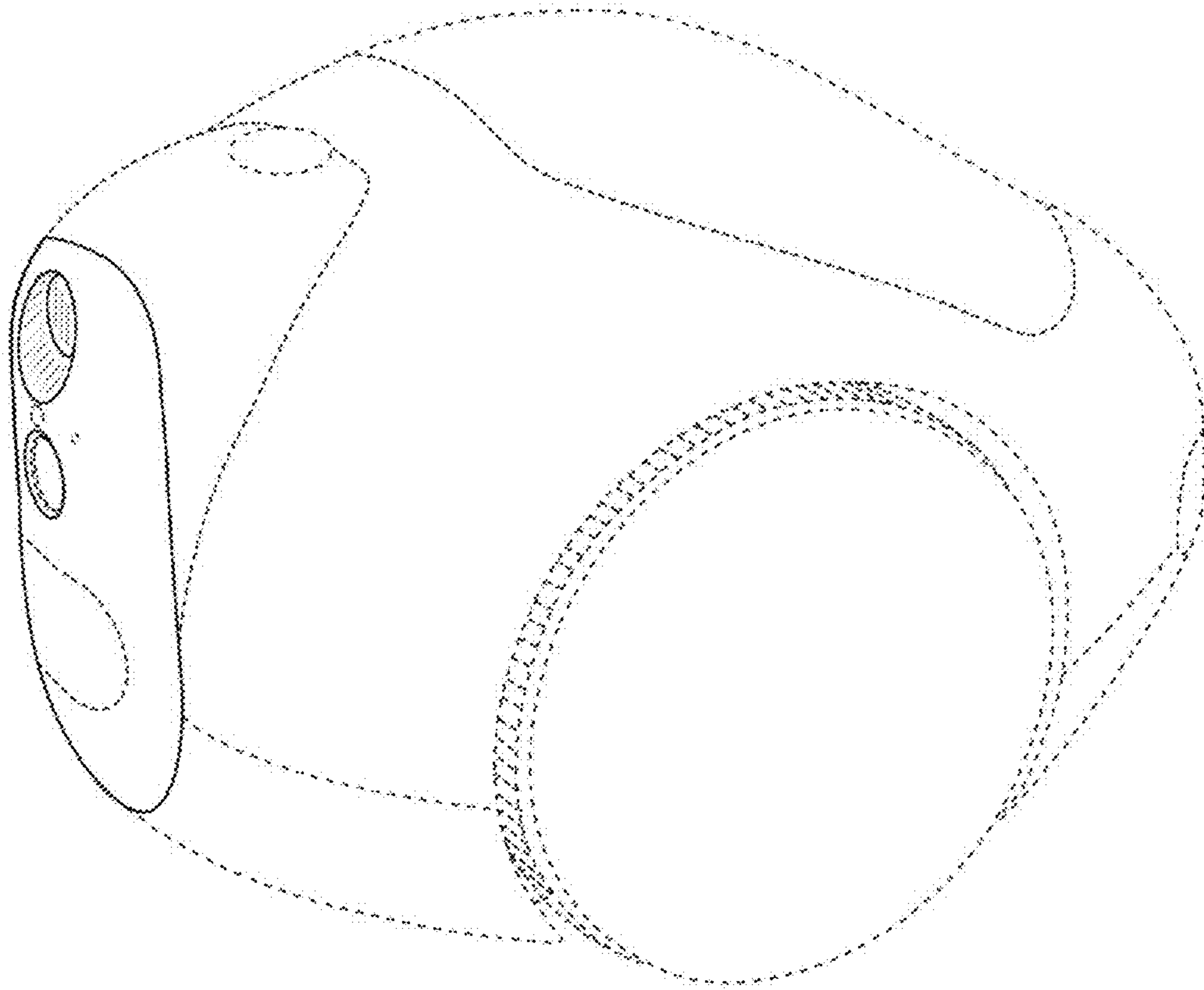


FIG. 8