



US0D1040994S

(12) **United States Design Patent**
Chen

(10) **Patent No.:** **US D1,040,994 S**

(45) **Date of Patent:** **** Sep. 3, 2024**

(54) **CEILING FAN WITH LIGHT**

(71) Applicant: **Xiangzai Chen**, Zhongshan (CN)

(72) Inventor: **Xiangzai Chen**, Zhongshan (CN)

(**) Term: **15 Years**

(21) Appl. No.: **29/940,739**

(22) Filed: **May 6, 2024**

(51) **LOC (14) Cl.** **23-04**

(52) **U.S. Cl.**
USPC **D23/377**

(58) **Field of Classification Search**
USPC D23/370, 377, 379, 385, 411-414;
D26/59, 72

CPC F04D 25/088; F04D 29/38; F04D 29/384;
F04D 29/386; F21V 33/0096

See application file for complete search history.

(56) **References Cited**

U.S. PATENT DOCUMENTS

D706,970 S *	6/2014	Wang	D26/59
D795,412 S *	8/2017	Schulzman	D23/377
D834,696 S *	11/2018	Schulzman	D23/377
D938,569 S *	12/2021	Biancuzzo	D23/377
D978,323 S	2/2023	Hu		
D989,273 S *	6/2023	Haggar	D23/413
D1,003,482 S *	10/2023	Chen	D23/377
D1,011,502 S *	1/2024	Ren	D23/377
D1,011,577 S	1/2024	Liu		
D1,012,260 S *	1/2024	Huang	D23/370
D1,012,265 S *	1/2024	Cheng	D23/377
D1,012,268 S *	1/2024	Cheng	D23/377
D1,013,141 S *	1/2024	Huang	D23/370

11,892,002 B1 *	2/2024	Gajewski	F04D 29/005
D1,023,377 S *	4/2024	Chen	D23/377
D1,024,308 S *	4/2024	Biancuzzo	D23/377
D1,025,338 S *	4/2024	Zhou	D23/377
D1,026,198 S *	5/2024	Chen	D23/377

* cited by examiner

Primary Examiner — Keith J Wilson

Assistant Examiner — Carolyn W Davis

(74) *Attorney, Agent, or Firm* — Daniel M. Cohn;

Howard M. Cohn

(57) **CLAIM**

The ornamental design for a ceiling fan with light, as shown and described.

DESCRIPTION

FIG. 1 is a perspective view of a ceiling fan with light showing my new design;

FIG. 2 is another perspective view thereof;

FIG. 3 is a front view thereof;

FIG. 4 is a rear view thereof;

FIG. 5 is a left side view thereof;

FIG. 6 is a right side view thereof;

FIG. 7 is a top view thereof;

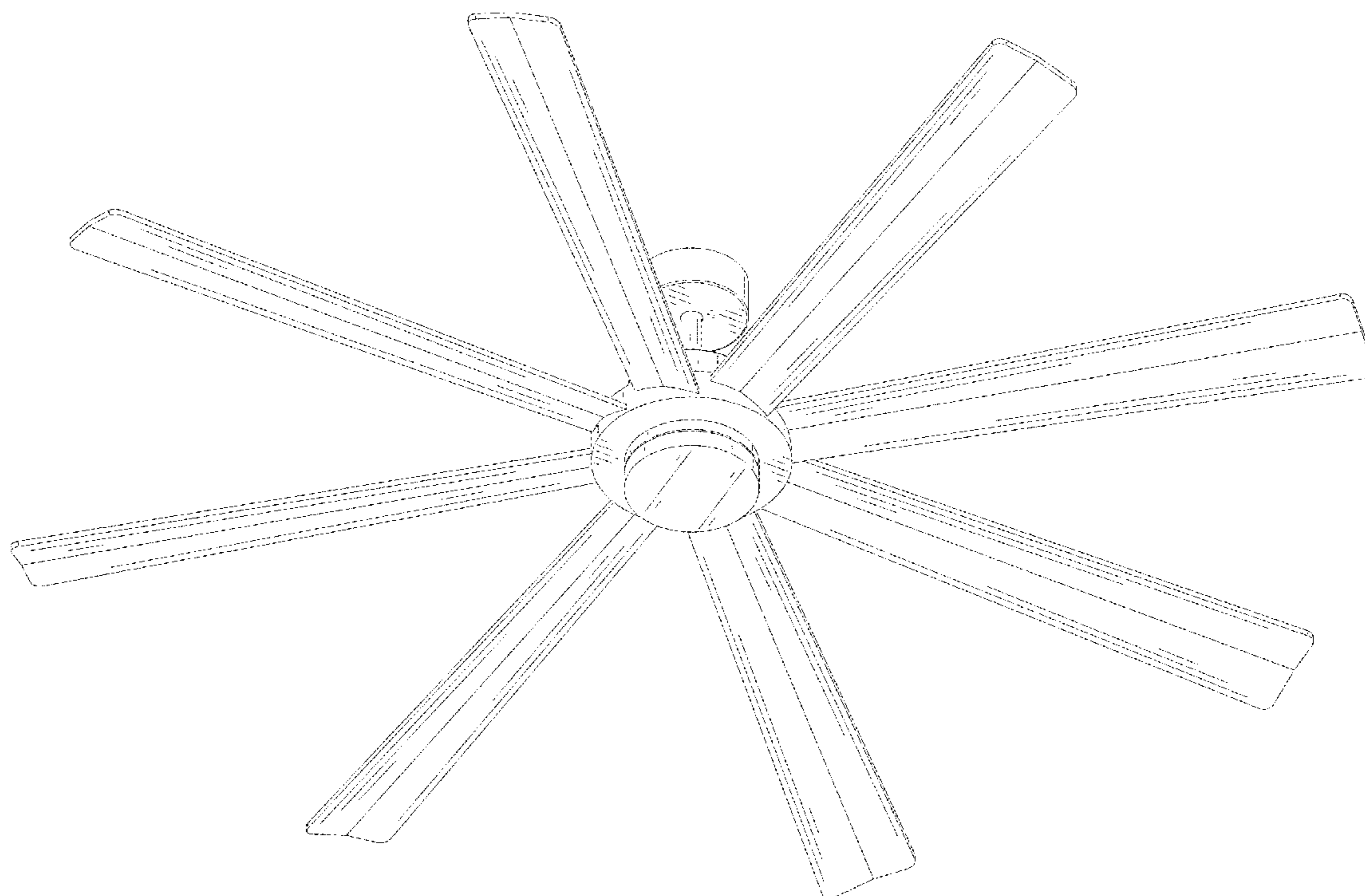
FIG. 8 is a bottom view thereof; and,

FIG. 9 is an enlarged view of portion 9 shown in FIG. 3.

The dash-dash broken lines in the drawings depict portions of the ceiling fan with light that form no part of the claimed design.

The dot-dash broken lines represent boundaries of the enlarged portions and form no part of the claimed design.

1 Claim, 9 Drawing Sheets



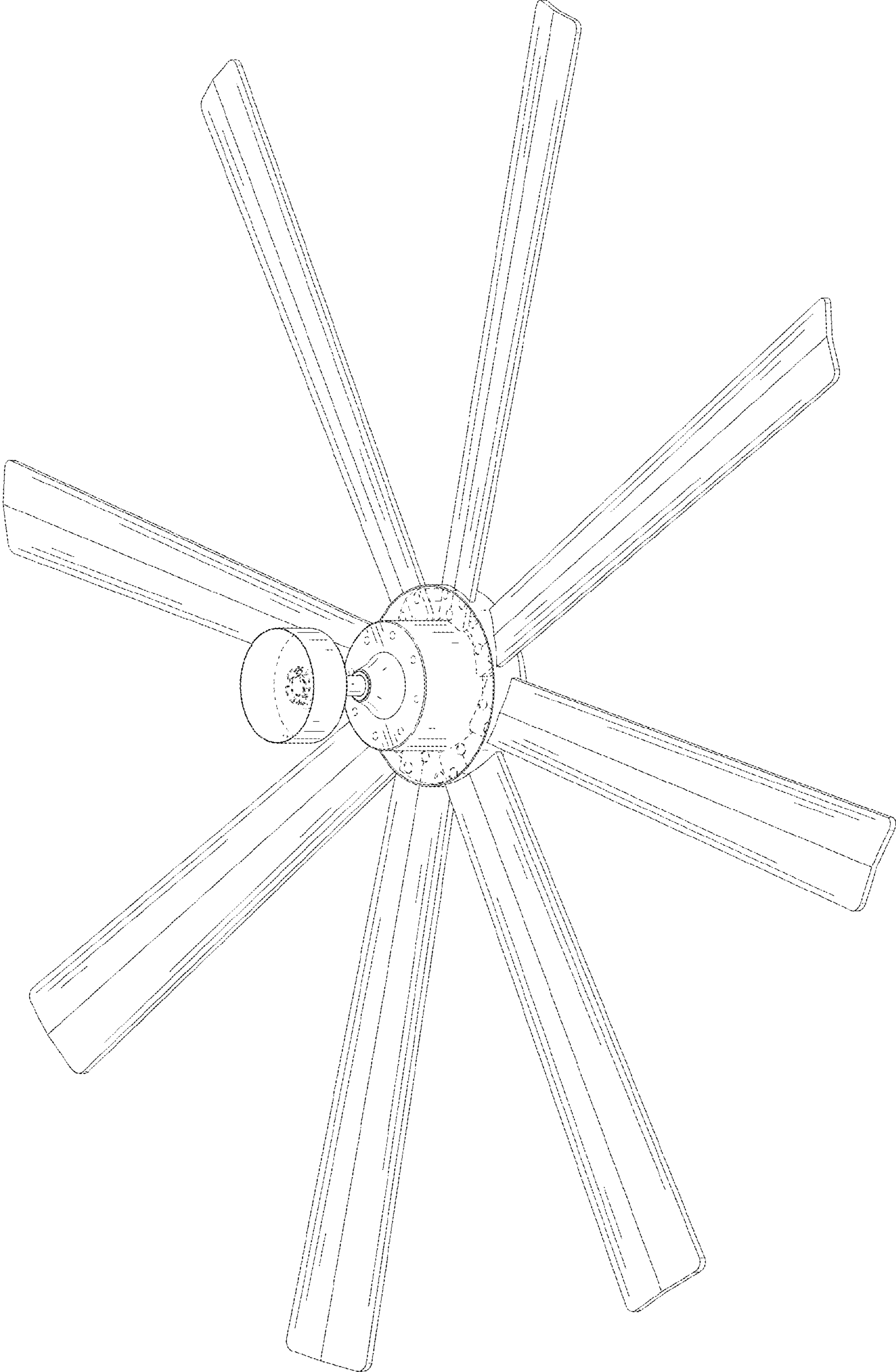


FIG. 1

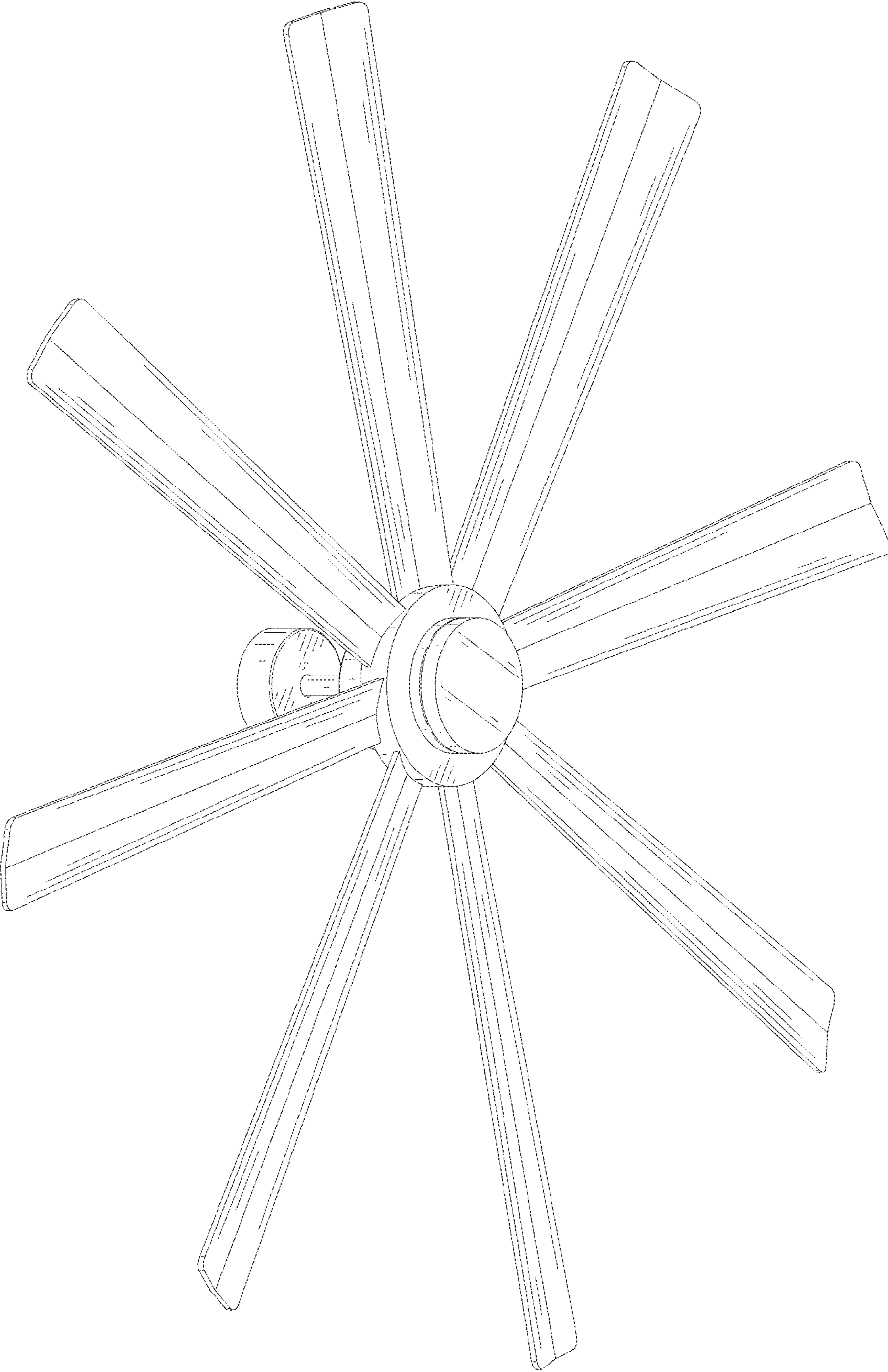


FIG. 2

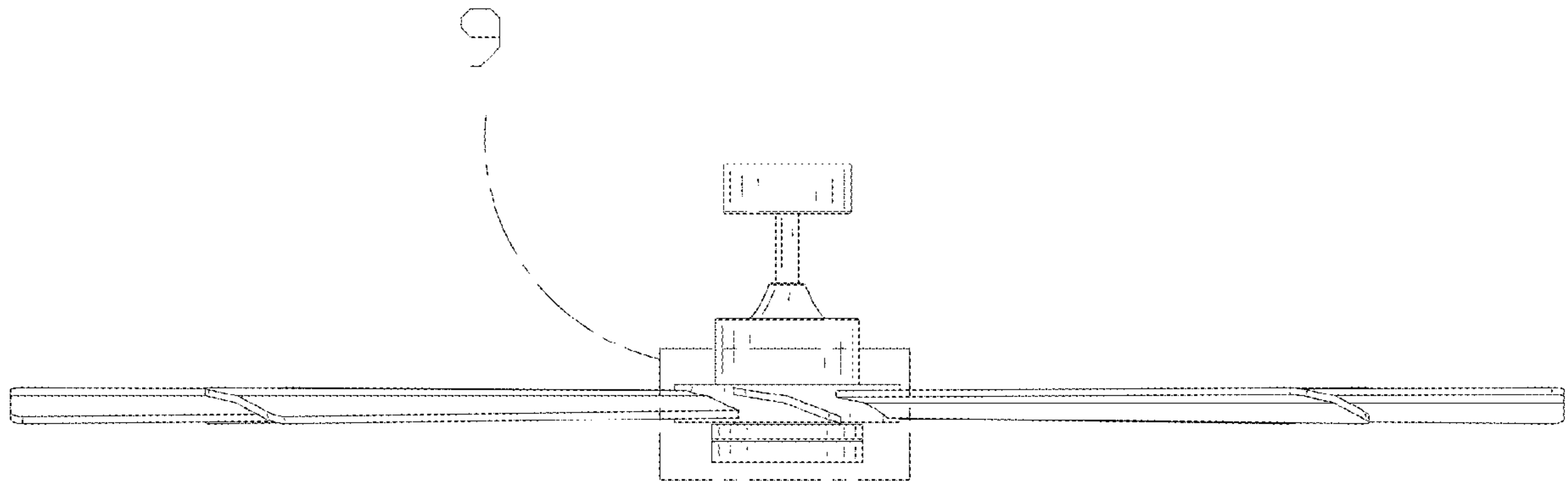


FIG. 3

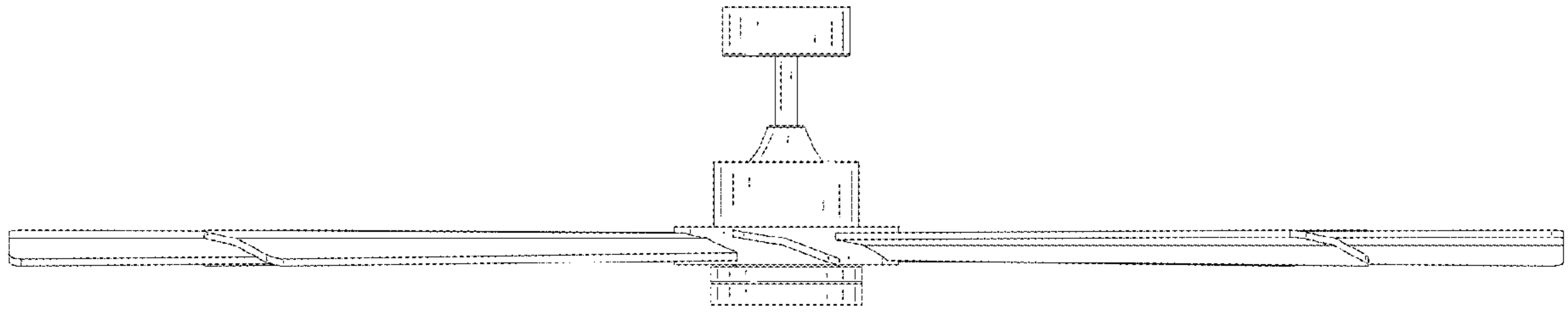


FIG. 4

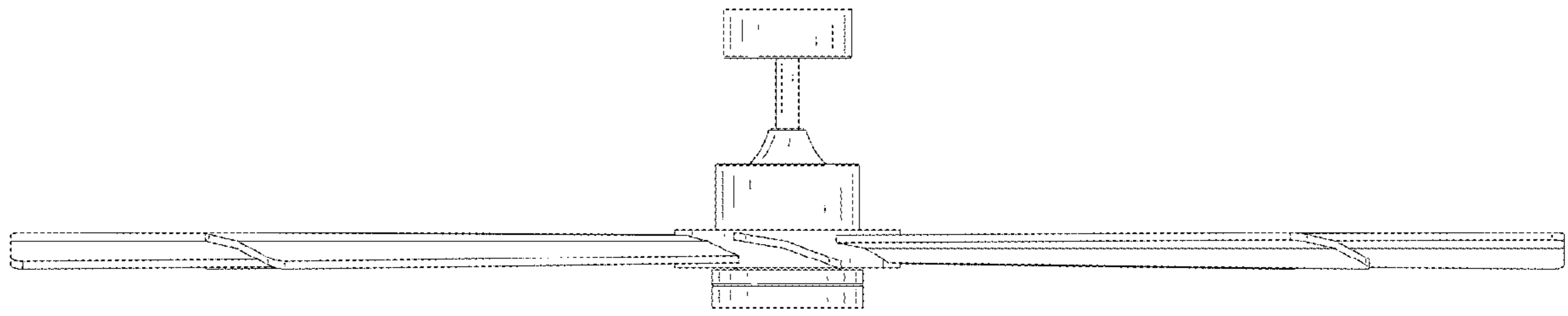


FIG. 5

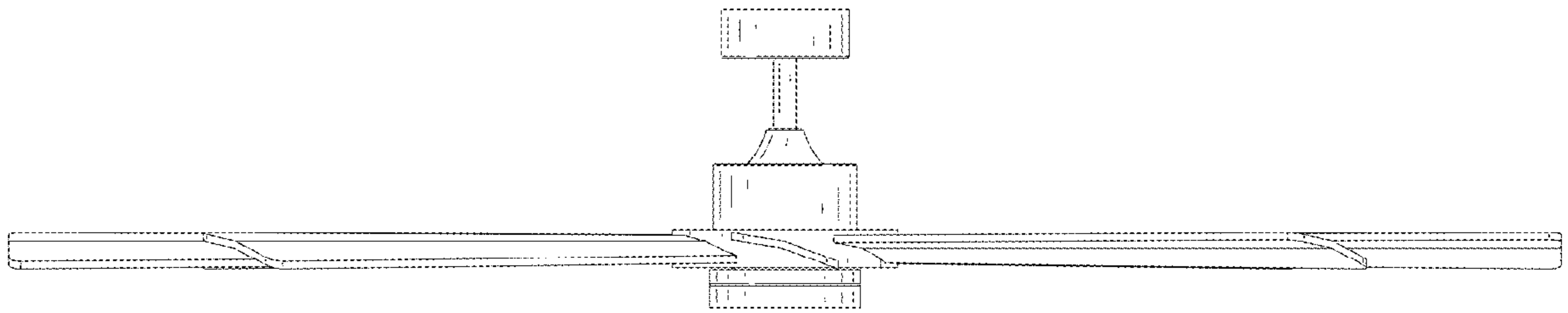


FIG. 6

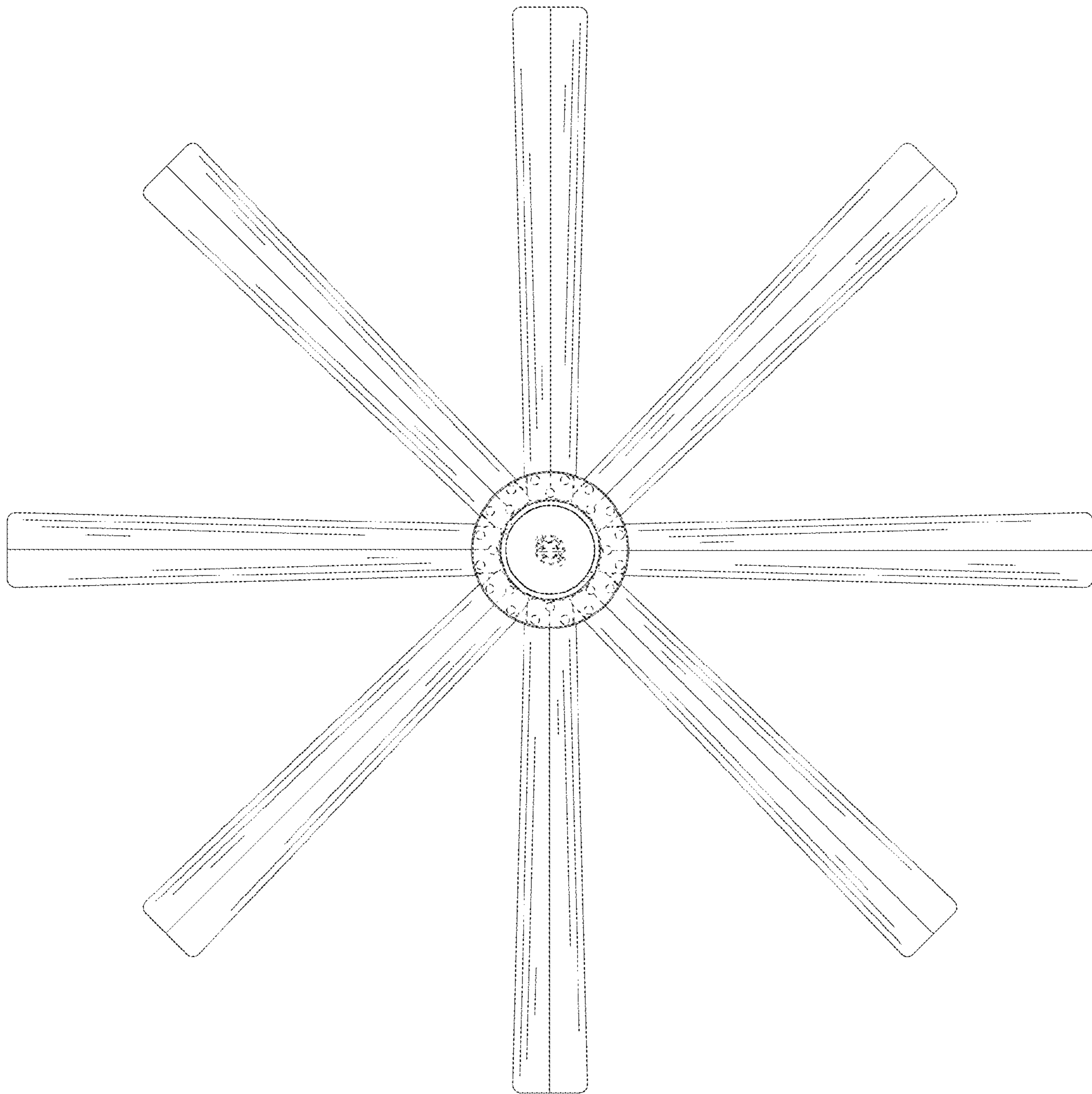


FIG. 7

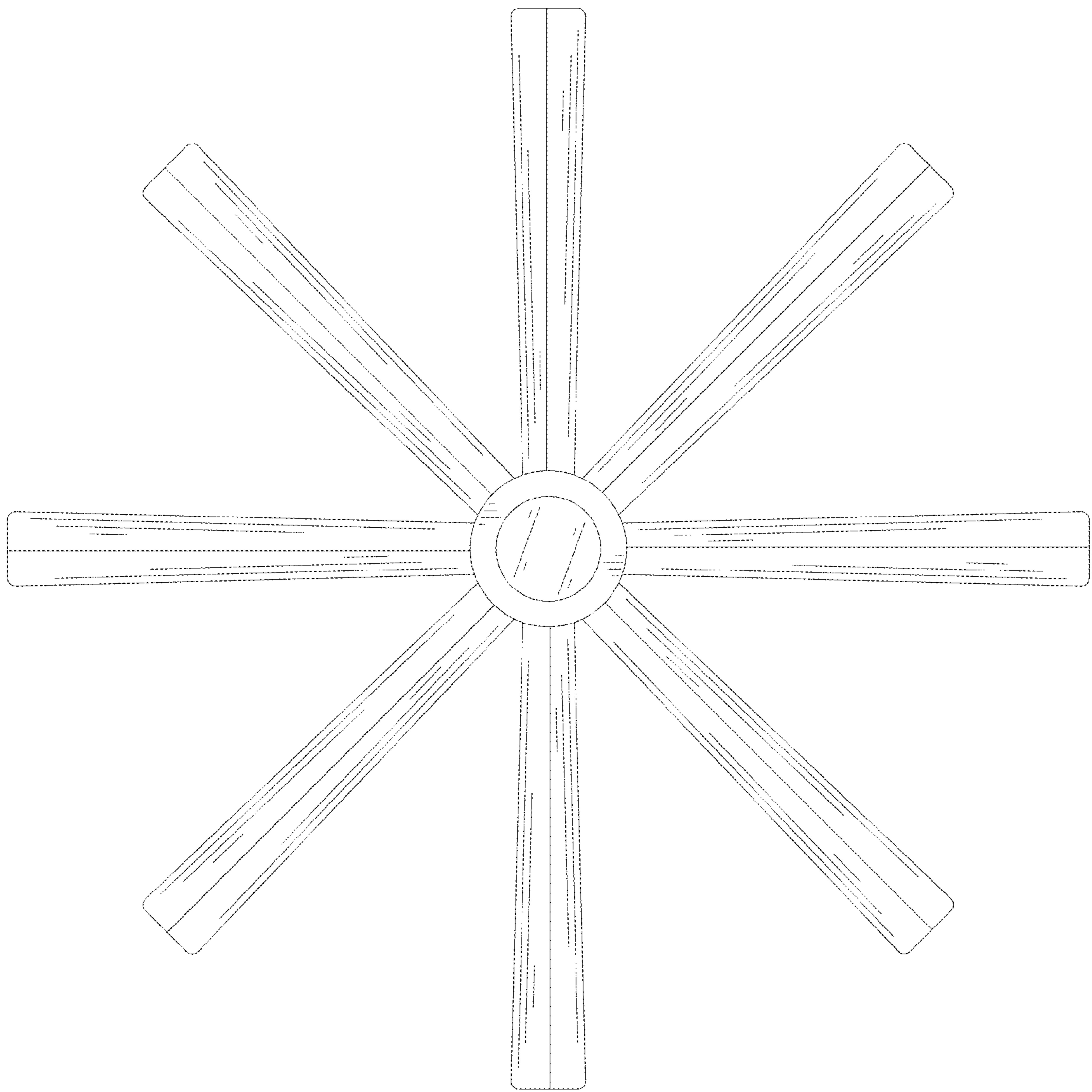


FIG. 8

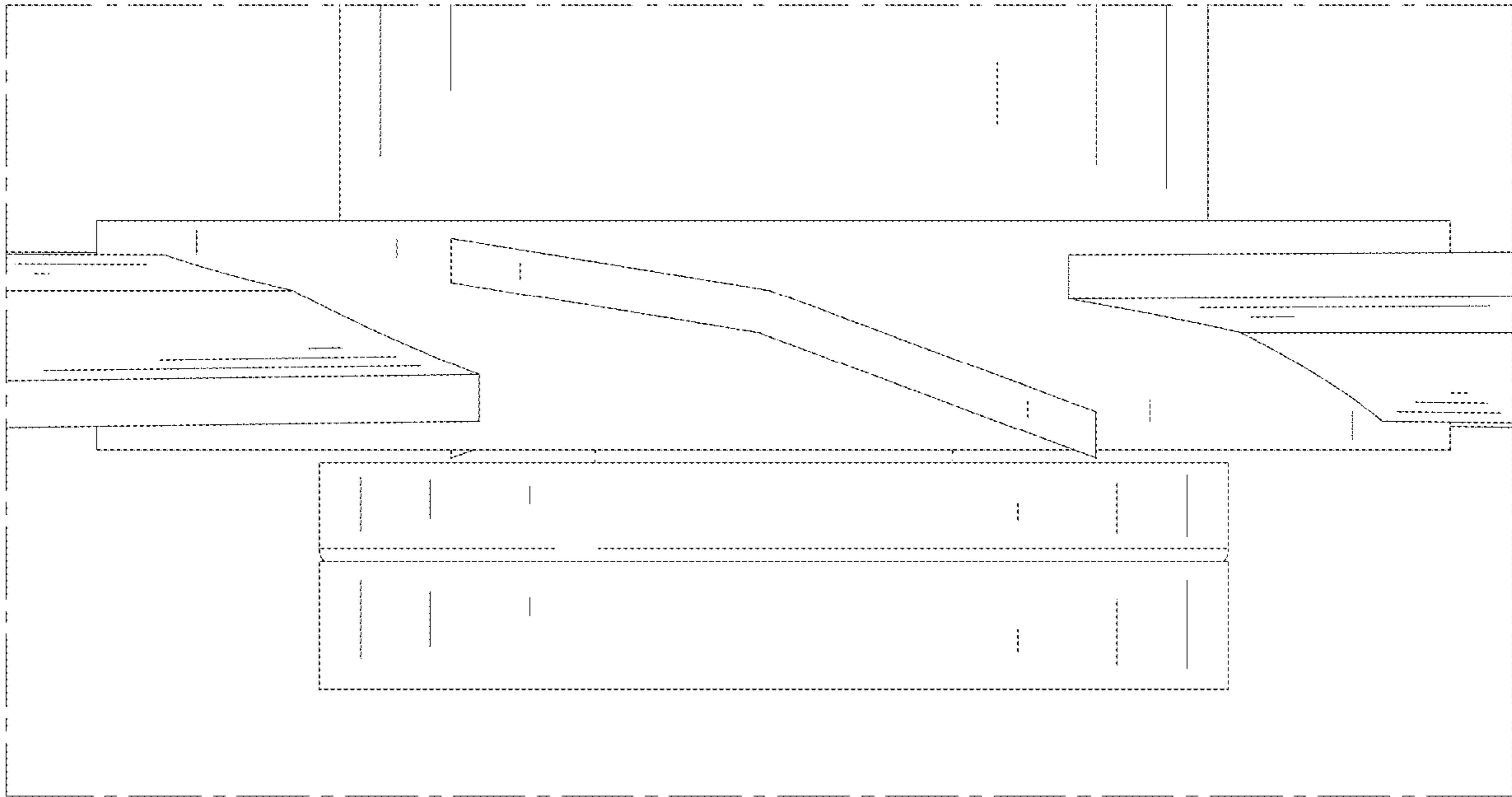


FIG. 9