



US0D1040936S

(12) **United States Design Patent** (10) **Patent No.:** **US D1,040,936 S**
Christensen et al. (45) **Date of Patent:** **** Sep. 3, 2024**

(54) **MODEL VEHICLE SKID**
(71) Applicant: **TRAXXAS, L.P.**, McKinney, TX (US)
(72) Inventors: **Casey Christen Jens Christensen**,
McKinney, TX (US); **Adam Cole**
Ewing, McKinney, TX (US); **Kent**
Poteet, Lucas, TX (US); **Otto Karl**
Allmendinger, Rowlett, TX (US)

D740,719 S 10/2015 Schanz et al.
D751,953 S 3/2016 Hayes et al.
D769,163 S 10/2016 Platto et al.
(Continued)

(73) Assignee: **TRAXXAS, L.P.**, McKinney, TX (US)
(**) Term: **15 Years**

FOREIGN PATENT DOCUMENTS
EM 15010398-0001 * 3/2023

(21) Appl. No.: **29/850,133**
(22) Filed: **Aug. 17, 2022**
(51) **LOC (14) Cl.** **21-01**
(52) **U.S. Cl.**
USPC **D21/561**
(58) **Field of Classification Search**
USPC D21/433, 495, 533, 561, 562, 563;
D12/92, 159, 160, 167, 171, 172, 181,
D12/190, 196, 204, 327
CPC A63H 17/262; A63H 17/26; A63H 17/002;
A63H 29/24
See application file for complete search history.

OTHER PUBLICATIONS
Traxxas 9623 Skidplate, Chassis, Black: Sledge, as shown in
www.amazon.com, Mar. 10, 2023, ASIN B0C9LMCNSV. (Year:
2023).*

(Continued)
Primary Examiner — Gino Colan
Assistant Examiner — Gregory G McLemore
(74) *Attorney, Agent, or Firm* — Daryl R. Wright; Greg
Carr

(56) **References Cited**
U.S. PATENT DOCUMENTS

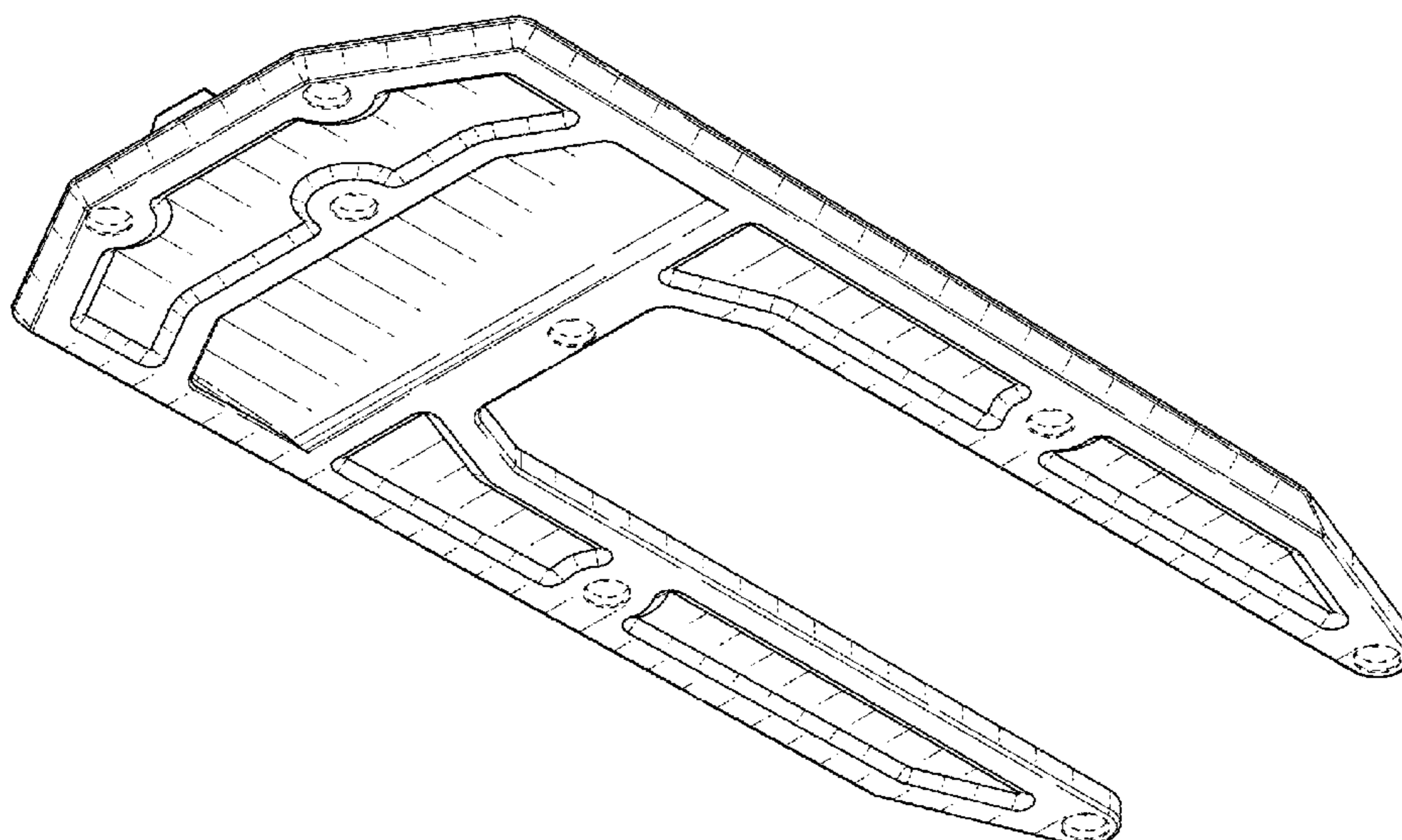
D309,930 S 8/1990 Asaeda
D317,336 S 6/1991 Tsuchiya
D332,979 S 2/1993 Tsuchiya
D335,484 S 5/1993 Moyle et al.
D381,376 S 7/1997 Edwards
D403,023 S 12/1998 Araki
D476,927 S 7/2003 Delgado
D477,257 S 7/2003 Delgado
D534,593 S 1/2007 Yuen
D577,083 S 9/2008 Nakayama
D593,616 S 6/2009 Asai
D597,151 S 7/2009 Ishikawa
D691,074 S * 10/2013 Dugardin D12/171

(57) **CLAIM**
We claim the ornamental design for a model vehicle skid, as
shown and described.

DESCRIPTION

FIG. 1 is an upper, right, front perspective view of a model
vehicle skid showing our new design;
FIG. 2 is a rear elevation view thereof;
FIG. 3 is a front elevation view thereof;
FIG. 4 is a left side elevation view thereof;
FIG. 5 is a right side elevation view thereof;
FIG. 6 is an upper plan view thereof;
FIG. 7 is a lower plan view thereof;
FIG. 8 is a lower, right, front perspective view thereof; and,
FIG. 9 is an upper, left, rear perspective view of the model
vehicle skid.
In the drawings, the broken lines illustrate portions of the
model vehicle skid that form no part of the claimed design.

1 Claim, 5 Drawing Sheets



(56)

References Cited

U.S. PATENT DOCUMENTS

D779,392 S 2/2017 Hare
 D822,126 S 7/2018 Allmendinger et al.
 D852,698 S 7/2019 Grewer
 D857,575 S 8/2019 Harriton et al.
 D857,576 S 8/2019 Harriton et al.
 D860,088 S 9/2019 Harriton et al.
 D864,819 S 10/2019 Grossaint
 D867,232 S 11/2019 Izard
 D870,606 S 12/2019 Hagler et al.
 D870,615 S 12/2019 Wood
 D874,999 S 2/2020 Ewing et al.
 D877,014 S 3/2020 Harriton et al.
 D894,809 S 9/2020 Chi
 10,814,917 B2 10/2020 Lorenz et al.
 D907,541 S 1/2021 Cox
 D923,112 S 6/2021 Hagler et al.
 D923,113 S 6/2021 Hagler et al.
 D923,114 S * 6/2021 Hagler D21/561
 D924,338 S 7/2021 Wood et al.
 D925,661 S * 7/2021 Hagler D21/561
 D928,679 S 8/2021 Liang
 D930,760 S 9/2021 Ewing et al.
 D950,449 S 5/2022 Kil
 D960,255 S * 8/2022 Ewing D21/562
 D964,482 S 9/2022 Ewing et al.
 D965,490 S 10/2022 Akrapovic et al.
 D977,382 S 2/2023 Kim et al.
 D998,720 S * 9/2023 Sprowl D21/548
 2011/0005424 A1 1/2011 Stiedl
 2020/0276951 A1 9/2020 Riva
 2020/0276952 A1 9/2020 Aizawa et al.
 2020/0322546 A1 10/2020 Carolus et al.
 2021/0046395 A1 2/2021 Allmendinger et al.
 2023/0219010 A1 7/2023 Christensen et al.
 2024/0115965 A1 4/2024 Christensen et al.

OTHER PUBLICATIONS

Traxxas Sledge Chassis Skidplate (Blue), as shown in www.hobbytown.com, Feb. 24, 2023, Part# TRA9623X. (Year: 2023).
 Traxxas Sledge Rear Bumper w/ Skid plate & Tie Bar Mount, as shown in www.hobbytown.com, Jul. 19, 2022, #TRA9536. (Year: 2022).
 Billet Machined Front Skid Plate & Bumper w/ 1-Pc Block for Traxxas 1/8 Sledge C32941GREY New Item, Item# C32941GREY Barcode: 91789045338, as shown in www.integy.com, No date listed. (Year: NA) (Year: NA).
 Christensen, Casey Christen Jens, et al.; U.S. Pat. No. D. 1,002,751; Model Vehicle Skid Pad; Oct. 24, 2023.
 Unknown, Axial SCX10 II 2000 Jeep Cherokee 1/10th Scale Electric 4WD—RTR; <http://www.axialracing.com/products/ax90047>; Aug. 2016.
 Unknown, Axial SCX10 Deadbolt 1/10th Scale Electric 4WD—RTR; <http://axialracing.com/products/ax90044>; Aug. 2016.

Unknown, Tibus Off-Road Engineering; Land Rover Defender, <http://www.tibus-offroad.com/en/products/bolt-on-portals/land-rover/>; Aug. 2016.
 Unknown, HPI Racing; HPI Venture FJ Cruiser; <http://www.hpiracing.com/en/article/view/2016012702>; Aug. 2016.
 Unknown, Traxxas; Slash 4x4 Overview; Oct. 2009.
 Traxxas Skidplate Set, Earliest Available Date Jul. 17, 2009 [Online], [Site Visited Nov. 3, 2020] Available From Internet, URL: <https://www.amainhobbies.com/traxxas-skidplate-set-tra7037/p139497?gclid=EAlalQobChMIz9HfodHm7AlVy8DICh1FYgZzEAQYAyABEgLQ2fD_BwE> (Year: 2009).
 Arb Skid Plates for Toyota Tacoma (2005+), Tin-Eye Date Dec. 7, 2019 [Online], [Site Visited Nov. 3, 2020] Available From Internet, URL: <<https://aventuron.com/collections/arb/products/arb-skid-plates-for-toyota-tacoma-2005>> (Year: 2019).
 Skid plates. (Design—© Questel) orbit.com. [Online PDF compilation of references] 49 pgs. Print Dates Range Aug. 19, 2022-Mar. 25, 2010 [Retrieved Apr. 10, 2024].
 RPM Traxxas Sledge Front Bumper & Skid Plate. 2024. Hobby Time RC. <https://www.hobbytimerc.com/rpm-traxxas-sledge-front-bumper-skid-plate-black-7.html>.
 Front Bumper and Skid Plate for the Traxxas Sledge. 2024. RPM RC. <https://rpmrcproducts.com/shop/bumpers/front-bumpers/front-bumper-and-skid-plate-for-the-traxxas-sledge/>.
 RPM70982, RPM Traxxas Sledge Front Bumper & Skid Plate. 2024. Race Day Quads. <https://www.racedayquads.com/products/rpm70982-rpm-traxxas-sledge-front-bumper-skid-plate-black>.
 Ege Arguden, et al.; U.S. Pat. No. D. 1,008,114; Vehicle Rear Skid Plate; Dec. 19, 2023.
 Traxxas XRT Center Skid Plate, as shown in www.amainhobbies.com, May 16, 2023, Part # TRA7837. (Year: 2023).
 Traxxas X-Maxx Center Skid Plate, as shown in www.amazon.com, Jan. 5, 2016, ASIN B01A6YD5H4. (Year: 2016).
 Ajrc Escape Board Climbing Car Skid Plate For 1/18 Rc Tracked Vehicle Traxxas Trx4m Defender Bronco Wpl D12 Mn-d90 Escape Board, as shown in www.aliexpress.com, No date listed, date found Jun. 6, 2024. (Year: 2024).
 HPI Racing—Center Skid Plate (Savage XL Flux V2) HP160311, as shown in www.eurorc.com, No date listed, date found Jun. 6, 2024. (Year: 2024).
 Traxxas XRT Front and Rear Skid Plates, as shown in www.hobbytown.com, Jun. 12, 2023, Part # TRA7844. (Year: 2023).
 Underbody Skid Shield Package, as shown in www.accessories.gmc.com, no date listed, date found Jun. 6, 2024. Part No. 84962765. (Year: 2024).
 Traxxas X-Maxx Skid Plate, Front & Rear, as shown in www.amazon.com, Jan. 5, 2016, ASIN B01A6YD5IS. (Year: 2016).
 Hagler, Skylar, et al.; U.S. Pat. No. D. 1,013,062; Model Vehicle Wing; Jan. 30, 2024.
 Allmendinger, Otto Karl, et al.; U.S. Pat. No. D. 1,016,180; Model Vehicle Lower Skid Pad; Feb. 27, 2024.
 Soward, Terry, et al.; U.S. Pat. No. D. 1,017,485; Model Vehicle Bumper Assembly; Mar. 12, 2024.
 Christensen, Casey Christen Jens, et al.; U.S. Pat. No. D. 1,017,722; Model Vehicle Skid Pad; Mar. 12, 2024.

* cited by examiner

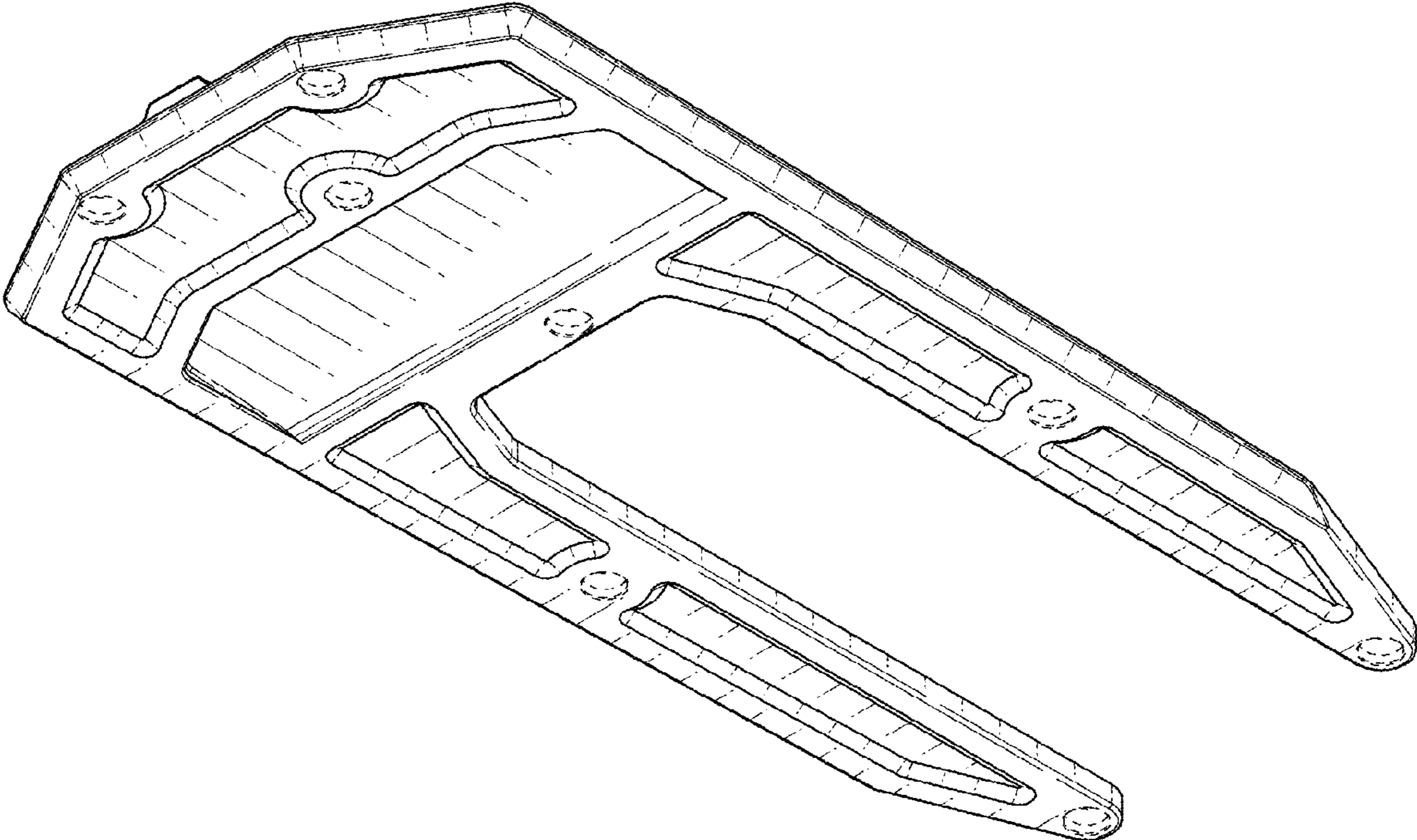


FIG. 1

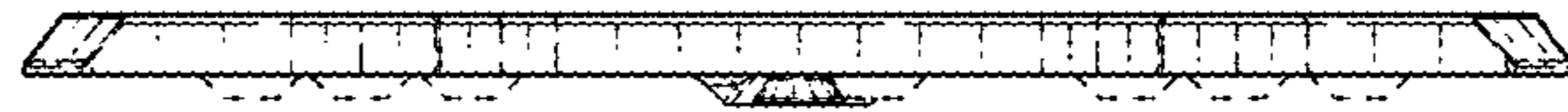


FIG. 2

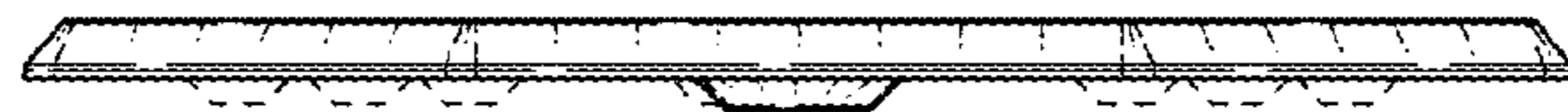


FIG. 3



FIG. 4

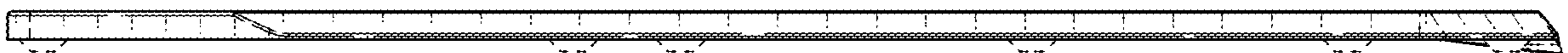


FIG. 5

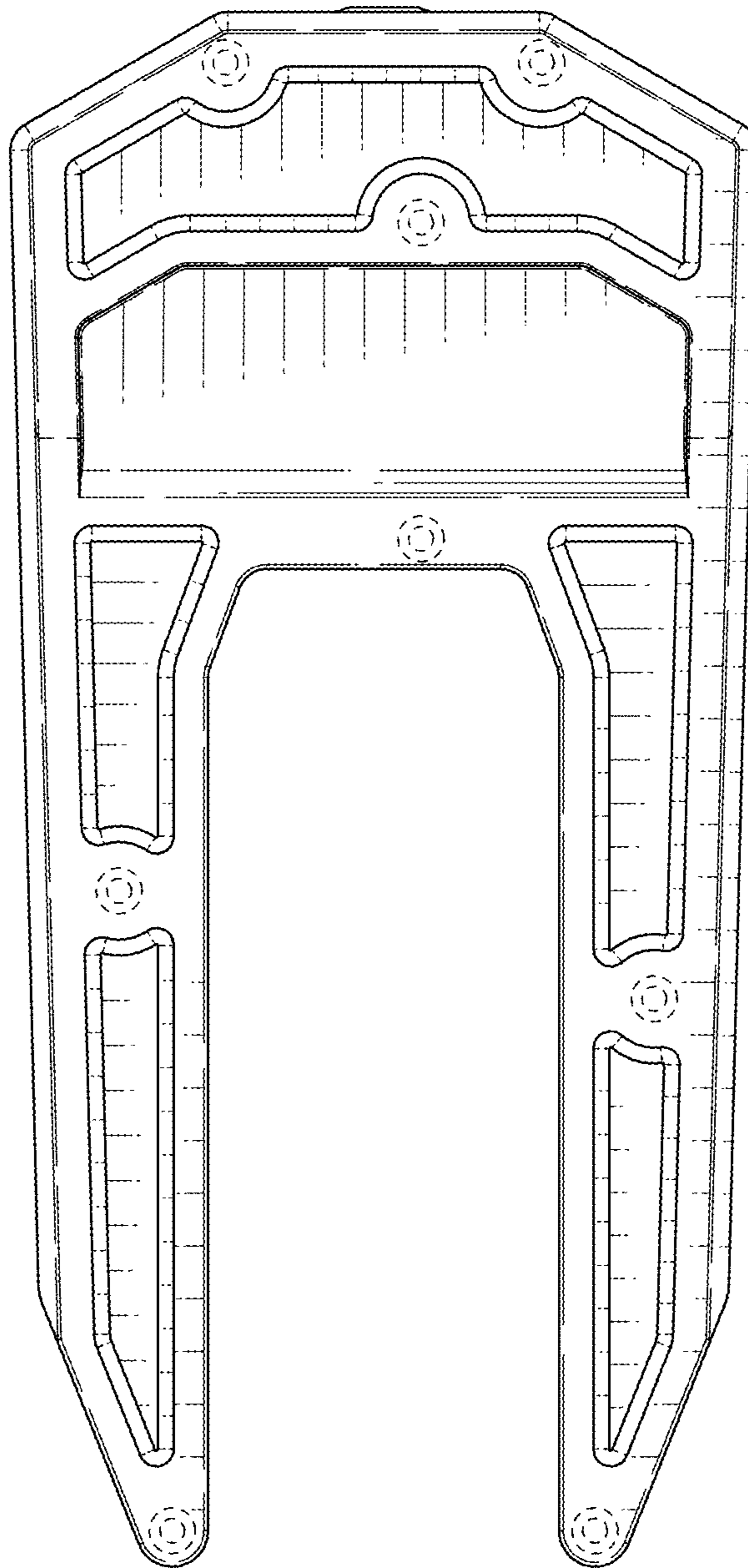


FIG. 6

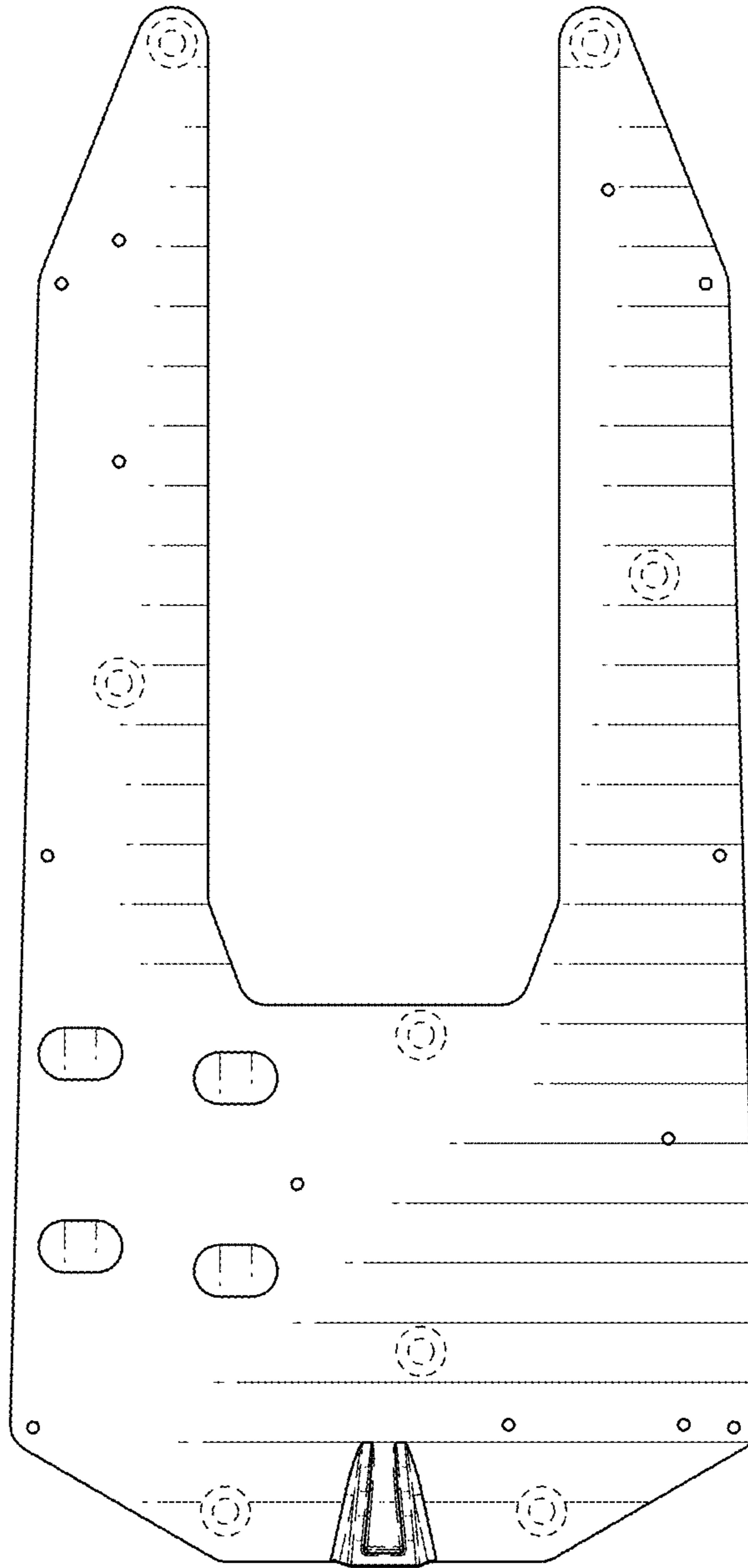


FIG. 7

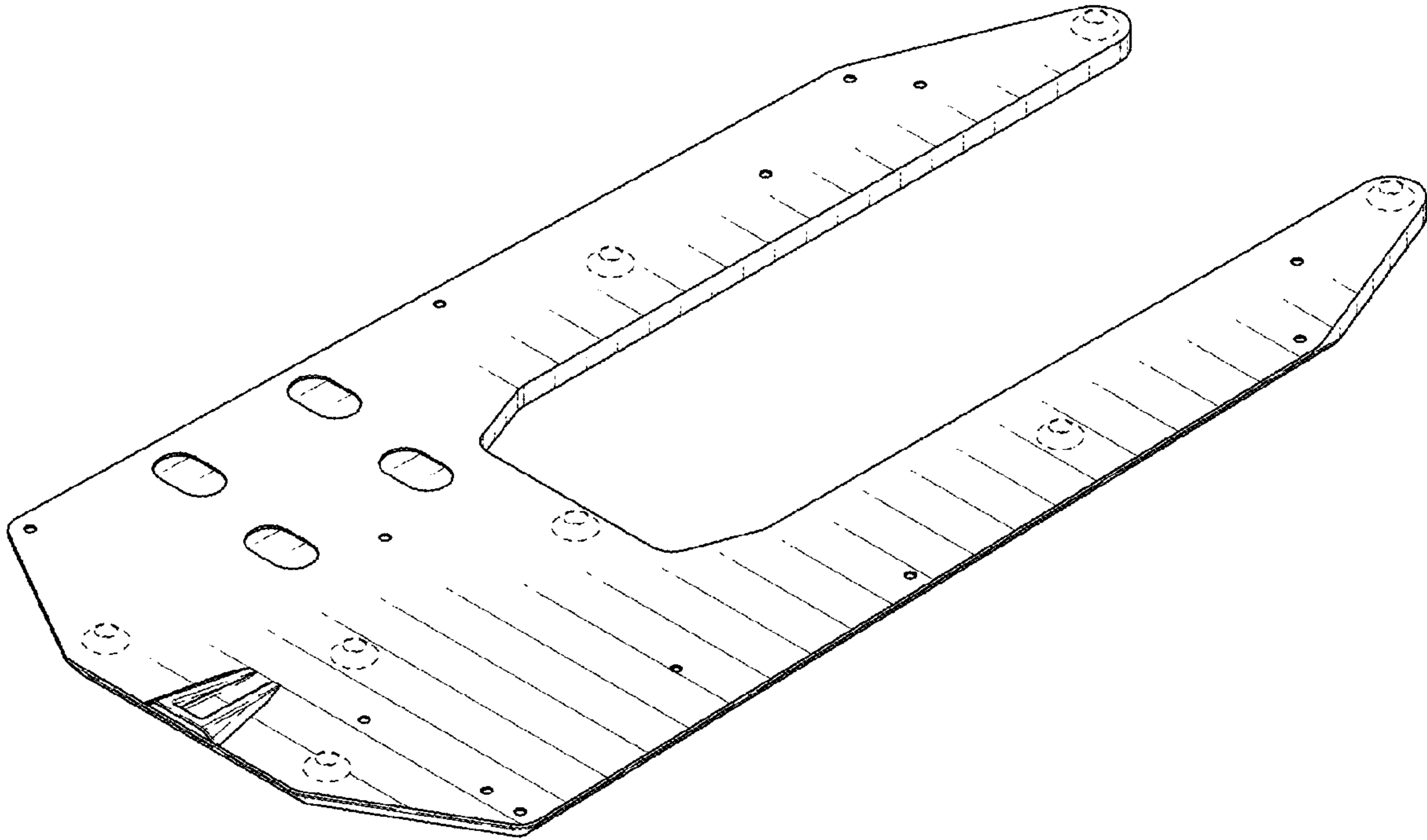


FIG. 8

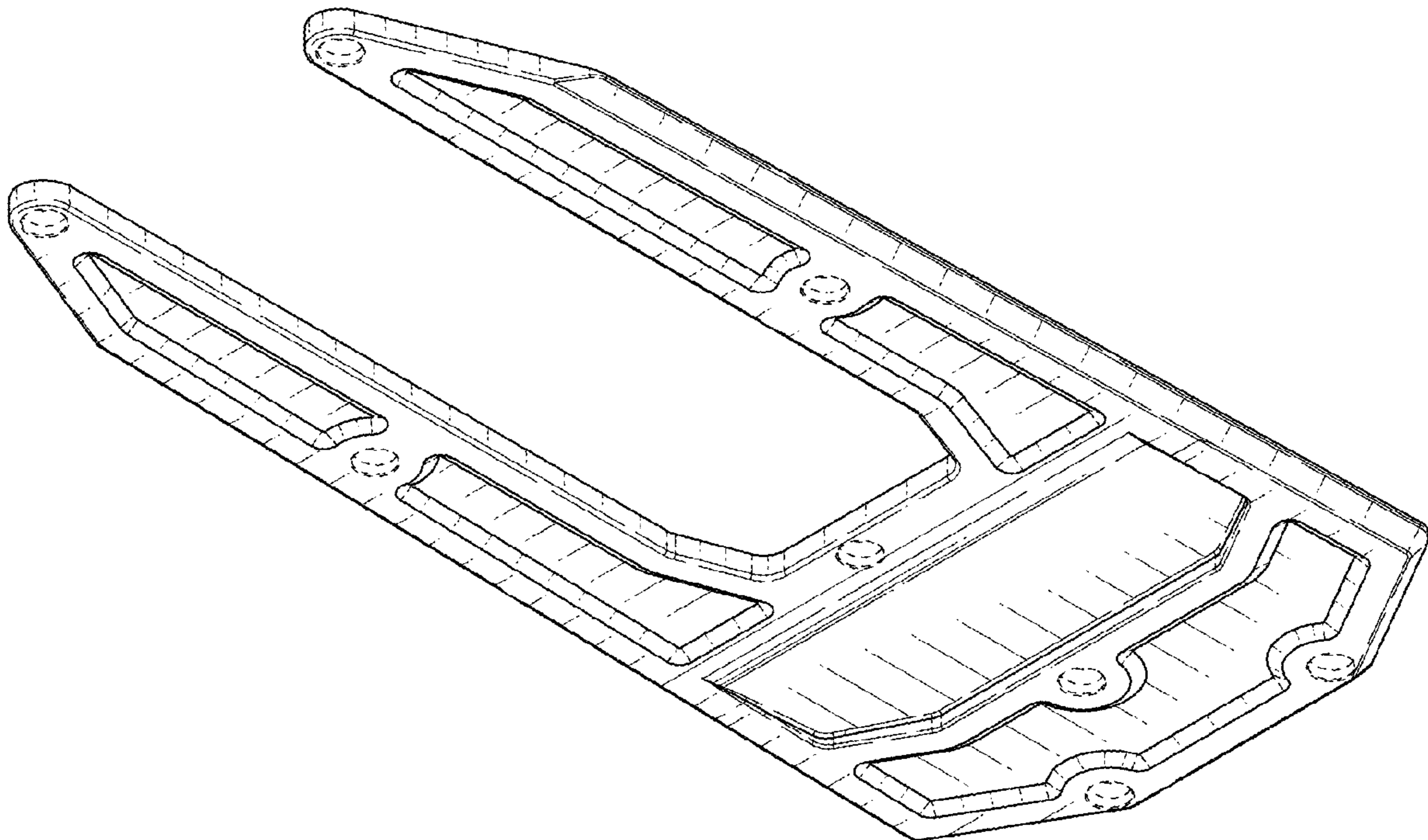


FIG. 9