



US0D1040935S

(12) **United States Design Patent** (10) **Patent No.:** **US D1,040,935 S**  
**Ewing et al.** (45) **Date of Patent:** **\*\* Sep. 3, 2024**

(54) **MODEL VEHICLE WHEEL**  
(71) Applicant: **TRAXXAS, L.P.**, McKinney, TX (US)  
(72) Inventors: **Adam Cole Ewing**, McKinney, TX (US); **Kent Poteet**, Lucas, TX (US); **Casey Christen Jens Christensen**, McKinney, TX (US); **Otto Karl Allmendinger**, Rowlett, TX (US); **Skylar Hagler**, Anna, TX (US); **Jory Sprowl**, Honey Grove, TX (US)

D316,731 S 5/1991 Tsuchiya  
D333,648 S 3/1993 Schwenk  
D361,975 S 9/1995 Weld  
(Continued)

FOREIGN PATENT DOCUMENTS

CN 304967598 12/2018  
CN 305062663 3/2019  
(Continued)

OTHER PUBLICATIONS

Traxxas XRT 8S Extreme 4WD Brushless RTR Race Monster Truck (Green) w/TQi 2.4GHz Radio & TSM, as shown in www.hobbytown.com, Nov. 18, 2022, Part # TRA78086-4-GRN. (Year: 2022).\*  
(Continued)

(73) Assignee: **TRAXXAS, L.P.**, McKinney, TX (US)  
(\*\*) Term: **15 Years**  
(21) Appl. No.: **29/847,782**  
(22) Filed: **Jul. 27, 2022**  
(51) **LOC (14) Cl.** ..... **21-01**  
(52) **U.S. Cl.**  
USPC ..... **D21/563**; D12/209  
(58) **Field of Classification Search**  
USPC ..... D21/433, 495, 533, 561, 562, 563;  
D12/159, 160, 172, 190, 204, 208, 209  
CPC .... A63H 17/262; A63H 17/26; A63H 17/002;  
A63H 29/24  
See application file for complete search history.

*Primary Examiner* — Gino Colan  
*Assistant Examiner* — Gregory G McLemore  
(74) *Attorney, Agent, or Firm* — Daryl R. Wright; Greg Carr

(57) **CLAIM**

We claim the ornamental design for a model vehicle wheel, as shown and described.

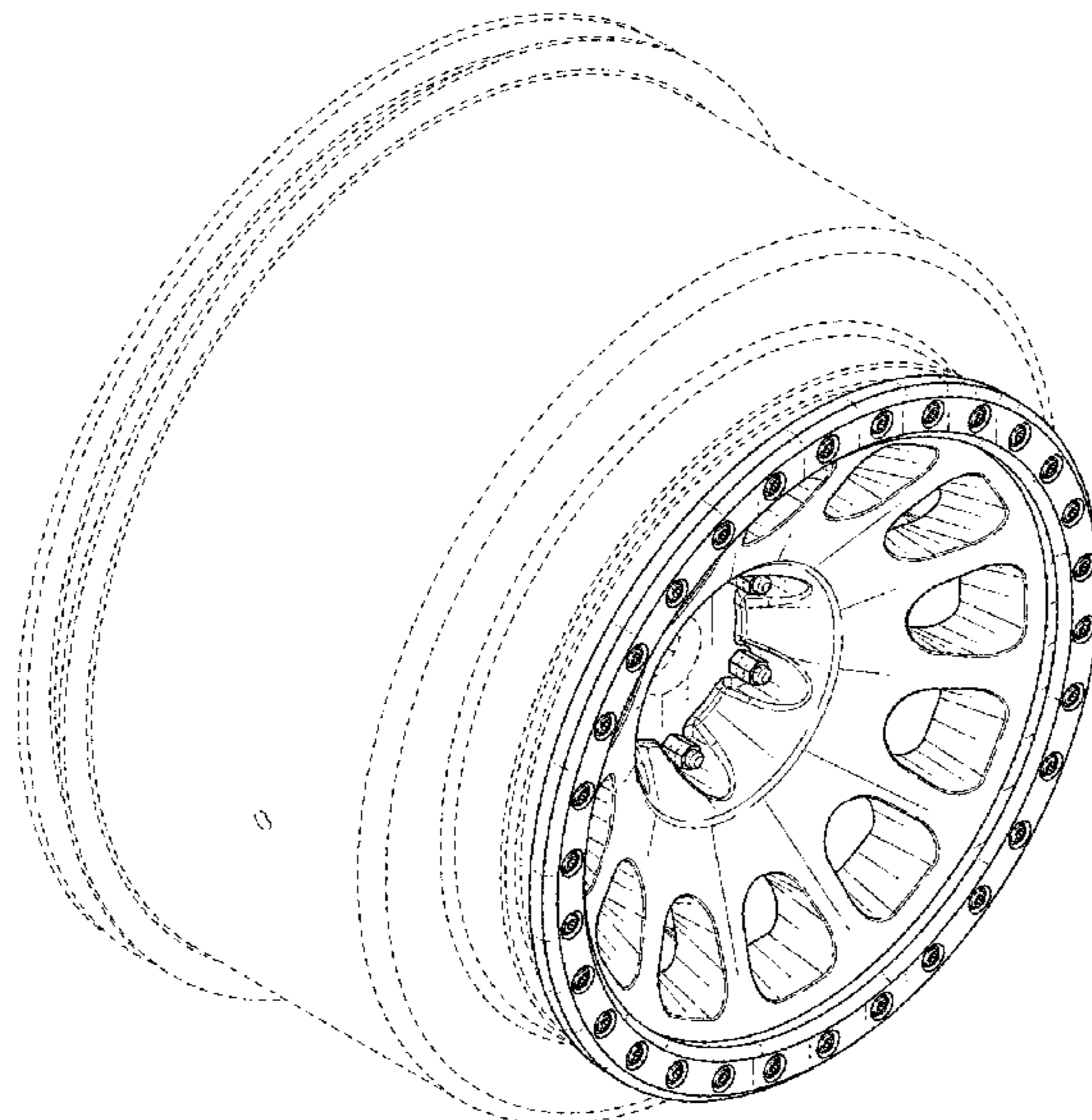
**DESCRIPTION**

FIG. 1 is an upper, right, front perspective view of a model vehicle wheel showing our new design; FIG. 2 is a front elevation view thereof; FIG. 3 is a rear elevation view thereof; FIG. 4 is a right side elevation view thereof; FIG. 5 is a left side elevation view thereof; FIG. 6 is an upper plan view thereof; FIG. 7 is a lower plan view thereof; and, FIG. 8 is an upper, left, rear perspective view of the model vehicle wheel.  
In the drawings, the broken lines illustrate portions of the model vehicle wheel that form no part of the claimed design.

**1 Claim, 5 Drawing Sheets**

(56) **References Cited**  
U.S. PATENT DOCUMENTS

1,978,026 A 10/1934 Miller  
2,731,301 A 1/1956 Lyon  
D206,873 S 2/1967 Reid  
D207,951 S 6/1967 Hibbard  
D221,934 S 9/1971 Main et al.  
D223,534 S 5/1972 Reid  
D225,842 S 1/1973 Clement  
D226,376 S 2/1973 Main et al.  
D237,067 S 10/1975 Sandberg  
D285,676 S 9/1986 Clark



(56)

References Cited

U.S. PATENT DOCUMENTS

D420,637 S	2/2000	Glade	D784,462 S	4/2017	Barajas et al.
6,089,671 A	7/2000	Iacovelli et al.	D787,407 S	5/2017	Chung
D444,118 S	6/2001	Chung	D788,670 S	6/2017	Chung
D459,689 S	7/2002	Hieke	D790,427 S	6/2017	Palana
6,439,670 B1	8/2002	Winters	D791,057 S	7/2017	Johnson
D466,067 S	11/2002	Muzzarelli	D791,668 S	7/2017	Murase
D469,728 S	2/2003	Kataoka	D796,407 S	9/2017	Krause
D470,449 S	2/2003	Bernoni	D797,029 S	9/2017	Chung
D481,982 S	11/2003	Takechi	D799,394 S	10/2017	Yamashita
D483,313 S	12/2003	Lenz	D801,253 S	10/2017	Taylor
D488,760 S	4/2004	Kato	D802,685 S	11/2017	Barajas et al.
D492,234 S	6/2004	Kataoka	D803,130 S	11/2017	Taylor
D499,683 S	12/2004	Kushartanto	D805,455 S	12/2017	Kong
D500,006 S	12/2004	Cahyono	D805,990 S	12/2017	Mizutani
D504,650 S	5/2005	Ishiwata	D806,628 S	1/2018	Schell et al.
D513,218 S	12/2005	Fitgerald	D810,648 S	2/2018	Chung
D524,216 S	7/2006	Scheu	D824,314 S	7/2018	Chung
D530,757 S	10/2006	Jones	D828,462 S	9/2018	Sprowl
D534,968 S	1/2007	Proch	D828,878 S	9/2018	Sprowl
D536,293 S	2/2007	Brouillette et al.	D829,152 S	9/2018	Caldwell
D539,203 S	3/2007	Danbom et al.	D833,942 S *	11/2018	Chung ..... D12/209
D542,729 S	5/2007	Hieke	D842,205 S	3/2019	Kraljevic
D543,493 S	5/2007	Kim	D842,795 S	3/2019	Groth
D546,264 S	7/2007	Young	D845,861 S	4/2019	Tran
7,246,860 B1	7/2007	Seitz	D849,645 S	5/2019	Khachatryan
D550,600 S	9/2007	Celik	D849,654 S	5/2019	Kong
D569,778 S	5/2008	Kim	D849,657 S	5/2019	Kong
D570,758 S	6/2008	Bhambra	D851,183 S	6/2019	Wood et al.
D579,398 S	10/2008	Kim	D855,002 S	7/2019	Ranum
D582,827 S	12/2008	Musser	D856,249 S	8/2019	Haney
D583,292 S	12/2008	Chung	D856,893 S	8/2019	Ramthun
D587,181 S	2/2009	Musser	D860,905 S *	9/2019	Tran ..... D12/209
D590,315 S	4/2009	Chung	D862,612 S	10/2019	Sprowl et al.
D590,322 S	4/2009	Rak	D865,080 S	10/2019	Sprowl et al.
D597,012 S	7/2009	Chung	D865,621 S	11/2019	Han
D603,778 S	11/2009	Chung	D883,168 S *	5/2020	Sempek ..... D12/209
D614,108 S	4/2010	Varga	D887,938 S	6/2020	Stone et al.
D617,722 S	6/2010	Zhao	D889,565 S	7/2020	Sprowl
D619,072 S	7/2010	Gallert	D889,566 S	7/2020	Ewing et al.
D620,864 S	8/2010	Groom	D896,151 S	9/2020	Piscitelli
D627,698 S	11/2010	Zhang	D896,725 S	9/2020	Valencia Pollex
D628,135 S	11/2010	Zhao	D897,452 S	9/2020	Lin
D633,028 S	2/2011	Kim	D902,821 S	11/2020	Licklitter
D636,319 S	4/2011	Toth	D902,822 S	11/2020	Carbis et al.
D639,220 S	6/2011	Zhao	D906,938 S	1/2021	Sempek
D639,221 S	6/2011	Johnson	D909,269 S	2/2021	Fanizza
D662,868 S	7/2012	Furst et al.	D910,524 S *	2/2021	Han ..... D12/209
D663,668 S	7/2012	Pollmann	D913,894 S	3/2021	Lee
D670,227 S	11/2012	Chung	D913,897 S *	3/2021	VanRyn ..... D12/209
D671,875 S	12/2012	Camacho et al.	D917,368 S	4/2021	Kaneko et al.
D680,938 S	4/2013	Hale, Jr.	D921,772 S	6/2021	Hagler et al.
D688,188 S	8/2013	Baum	D921,773 S	6/2021	Hagler et al.
D697,008 S	1/2014	Juergens et al.	D922,295 S	6/2021	Grand et al.
D697,010 S	1/2014	Lorinser	D926,099 S	7/2021	Yeh
D705,154 S	5/2014	Harriton	D926,265 S	7/2021	Ewing et al.
D719,893 S	12/2014	Kim	D930,087 S	9/2021	Barajas et al.
D722,937 S	2/2015	Johnson	D933,571 S	10/2021	Patel
D725,567 S	3/2015	George et al.	D936,556 S	11/2021	Sempek
D726,620 S	4/2015	Licklitter	D937,736 S *	12/2021	Podlovits ..... D12/209
D727,822 S	4/2015	Wheel	D938,528 S	12/2021	Lin
D727,829 S	4/2015	Chung	D941,728 S *	1/2022	Kleinschuster ..... D12/209
D729,721 S	5/2015	Fahr-Becker	D942,348 S *	2/2022	Kleinschuster ..... D12/209
D730,799 S	6/2015	Hans et al.	D961,481 S	8/2022	Tran
D733,025 S	6/2015	Chung	D969,702 S *	11/2022	Sempek ..... D12/209
D741,240 S	10/2015	Melabiotis et al.	D995,392 S	8/2023	Narciso
D743,315 S	11/2015	Perini	D997,820 S *	9/2023	Ricehouse ..... D12/209
D753,048 S	4/2016	Chan	D997,831 S	9/2023	Harriton et al.
D753,571 S	4/2016	Juergens et al.	D997,832 S *	9/2023	Ricehouse ..... D12/213
D769,169 S	10/2016	Kumeya et al.	D1,009,747 S *	1/2024	Williams ..... D12/204
D769,785 S	10/2016	Wells	D1,014,385 S *	2/2024	Collins ..... D21/563
D775,576 S	1/2017	Liffick	D1,017,499 S *	3/2024	Han ..... D12/209
D780,654 S	3/2017	Gallert	2007/0018496 A1	1/2007	McCorquodale
D780,656 S	3/2017	Bjerke	2017/0080350 A1	3/2017	Allmendinger et al.
D783,495 S *	4/2017	Hale, Jr. .... D12/209			
D784,238 S	4/2017	Chu et al.			



(56)

**References Cited**

## U.S. PATENT DOCUMENTS

2020/0247179 A1 8/2020 Christensen et al.  
2021/0291586 A1 9/2021 Wallace et al.

## FOREIGN PATENT DOCUMENTS

DE	402017100863-0001		7/2018
EM	005817137-0004		11/2018
GB	9007076641-0001		10/2019
GB	6258137	*	2/2023
JP	D1642070		9/2019
TW	D114104	S	12/2006
TW	D141989	S	8/2011
TW	D143556	S	11/2011
WO	2021046302	A1	3/2021

## OTHER PUBLICATIONS

Traxxas XRT Wheels (Race Black) (2), as shown in [www.hobbytown.com](http://www.hobbytown.com), May 22, 2023, Part# TRA7874. (Year: 2023).\*

XRT, X-Maxx, Belted Tires, Wheels, as shown in [www.amazon.com](http://www.amazon.com), Dec. 27, 2023, ASIN B0CR1YVL7D. (Year: 2023).\*

Traxxas Method 105 1.9" Beadlock Wheels (Black Chrome) (2), as shown in [www.hobbytown.com](http://www.hobbytown.com), Jun. 15, 2018, Part # TRA8173. (Year: 2018).\*

Vanquish Products Method 105 1.9" Beadlock Crawler Wheels (Black/Silver) (2), as shown in [www.hobbytown.com](http://www.hobbytown.com), Mar. 28, 2016. Part #VPS07911. (Year: 2016).\*

RCAWD Full Brass 1.0 Beadlock Wheel Rim & Wheel Lock Nut for Axial 1/24 SCX24 AX24 Upgrades Part, as shown in [www.amazon.com](http://www.amazon.com), no date listed, date found Jun. 24, 2024. ASIN B0D2DFR1FM. (Year: 2024).\*

RT51 Black Daytona Beadlock, as shown in [www.racelinewheels.com](http://www.racelinewheels.com), no date listed, date found Jun. 24, 2024. (Year: 2024).\*

Method Race Wheels, MR305 NV, as shown in [www.discounttire.com](http://www.discounttire.com), no date listed, date found, Jun. 24, 2024. (Year: 2024).\*

Injora 1.3 Beadlock Wheel Rims—Aluminium Wheel Rims 23g for SCX24 TRX4M Upgrade 1/24 1/18 RC Crawler Car (Black), as shown in [www.amazon.com](http://www.amazon.com), Feb. 8, 2024, ASIN B0CQ8FS58X. (Year: 2024).\*

CrazyHobby, Aluminum 1.9 Beadlock Wheels and Tires for Traxxas TRX4 Axial SCX10 II III RR10 Wraith Redcat Gen 8 Gen 7 RC4WD 1/10 Scale RC Crawler Rocks Mud(Color 3), as shown in [www.amazon.com](http://www.amazon.com), Aug. 30, 2022, ASIN B0BCHSXM3M. (Year: 2022).\*

Globact Aluminum 1.9 Inch Beadlock Wheels RC Wheel Rim Set Wheel Hub for 1/10 RC Crawler TRX4 TRX6 Axial SCX10 I II III 90046 AXI03007 Redcat GEN7 GEN8 RC4WD D90 12mm Hex

(4Pcs Black Grey), as shown in [www.amazon.com](http://www.amazon.com), Jul. 4, 2022, ASIN B09WHLLJ29. (Year: 2022).\*

Slot Car Racing Wheel Store, posted xx/xx/xx [online], [retrieved Nov. 14, 2023]. Retrieved from internet, <https://www.dancingbearscaledcomponents.com/125-slot-car-racing-wheels> (Year: 2023).

Vbestlife RC Car Tires, 4 Pcs RC Vehicle Wheels Rims, posted May 9, 2022 [online], [retrieved Nov. 14, 2023]. Retrieved from internet, <https://www.amazon.com/Vbestlife-Vehicle-Wheels-Aluminum-Titanium/dp/B09ZV43LPB/> (Year: 2022).

KMD XD Series XD228 Machete Desert Beadlock Machined Custom Wheels Rims; <http://www.customwheelsexpress.com/custom-wheels-by-brand-xd-series-by-kmc-kmc-xd-series-xd228-machete-desert-beadlock-machined-custom-wheels-rims-p-2930.html>; Aug. 2016.

MSA M21 Lok (Beadlock); <https://msawheels.com/wheels/m21-lok/>; Aug. 2016.

OMF Performance Products; Beadlocked Wheels; [https://www.omfperformance.com/beadlocked\\_wheels\\_uq.php](https://www.omfperformance.com/beadlocked_wheels_uq.php); Aug. 2016.

Taiwan IPO Search Report; completed Aug. 4, 2016; regarding Taiwan Design Patent Application No. 105301436.

Zach, "Tires not glued the best," Aug. 25, 2018 (review with photo), [amazon.com](http://www.amazon.com), site visited Dec. 13, 2021, URL: <https://www.amazon.com/Traxxas-Raptor-Slash-GOODRICH-Wheels/dp/B00ERU9RN0> (Year: 2018).

Andy Dunkin, "Great tires for the money," Apr. 12, 2019 (review with photo), [amazon.com](http://www.amazon.com), site visited Dec. 13, 2021, URL: [https://www.amazon.com/Traxxas-Goodrich-Terrain-Pre-Glued-Beadlock-Style/dp/B002U5BPPM/ref=sr\\_1\\_49?keywords=traxxas+maxx+tires&qid=1639427729&sr=8-49](https://www.amazon.com/Traxxas-Goodrich-Terrain-Pre-Glued-Beadlock-Style/dp/B002U5BPPM/ref=sr_1_49?keywords=traxxas+maxx+tires&qid=1639427729&sr=8-49) (Year: 2019).

Rick, "Great wheels!" Jan. 24, 2019 (review with photo), [amazon.com](http://www.amazon.com), site visited Dec. 14, 2021, URL: <https://www.amazon.com/dp/B07MH4GW4G/?th=1> (Year: 2019).

"Hot Rods by Boyd," Apr. 13, 2015, [facebook.com](http://facebook.com), site visited Dec. 14, 2021, URL: <https://www.facebook.com/HOTRODSBYBOYD/photos/810287932358862> (Year: 2015).

Dave Arnouts, "This LT-Powered 1957 Chevy Built By BRP HotRods Is More Than Cool," Oct. 13, 2017, [chevyhardcore.com](http://chevyhardcore.com), site visited Dec. 14, 2021, URL: <https://www.chevyhardcore.com/news/this-lt-powered-1957-chevy-built-by-brp-hotrods-is-more-than-cool/> (Year: 2017).

"Traxxas 8472 Desert Racer Wheels," May 16, 2018, [amazon.ca](http://amazon.ca), site visited Dec. 14, 2021, URL: [https://www.amazon.ca/Traxxas-8472-Desert-Wheels-Bfgoodrich/dp/B07B6TS9B2/ref=sr\\_1\\_75?keywords=traxxas+wheels&qid=1639489322&sr=8-75](https://www.amazon.ca/Traxxas-8472-Desert-Wheels-Bfgoodrich/dp/B07B6TS9B2/ref=sr_1_75?keywords=traxxas+wheels&qid=1639489322&sr=8-75) (Year: 2018).

"Hot Rods by Boyd," Aug. 26, 2019, [facebook.com](http://facebook.com), site visited Dec. 14, 2021, URL: <https://www.facebook.com/HOTRODSBYBOYD/photos/2365060463548260> (Year: 2019).

\* cited by examiner

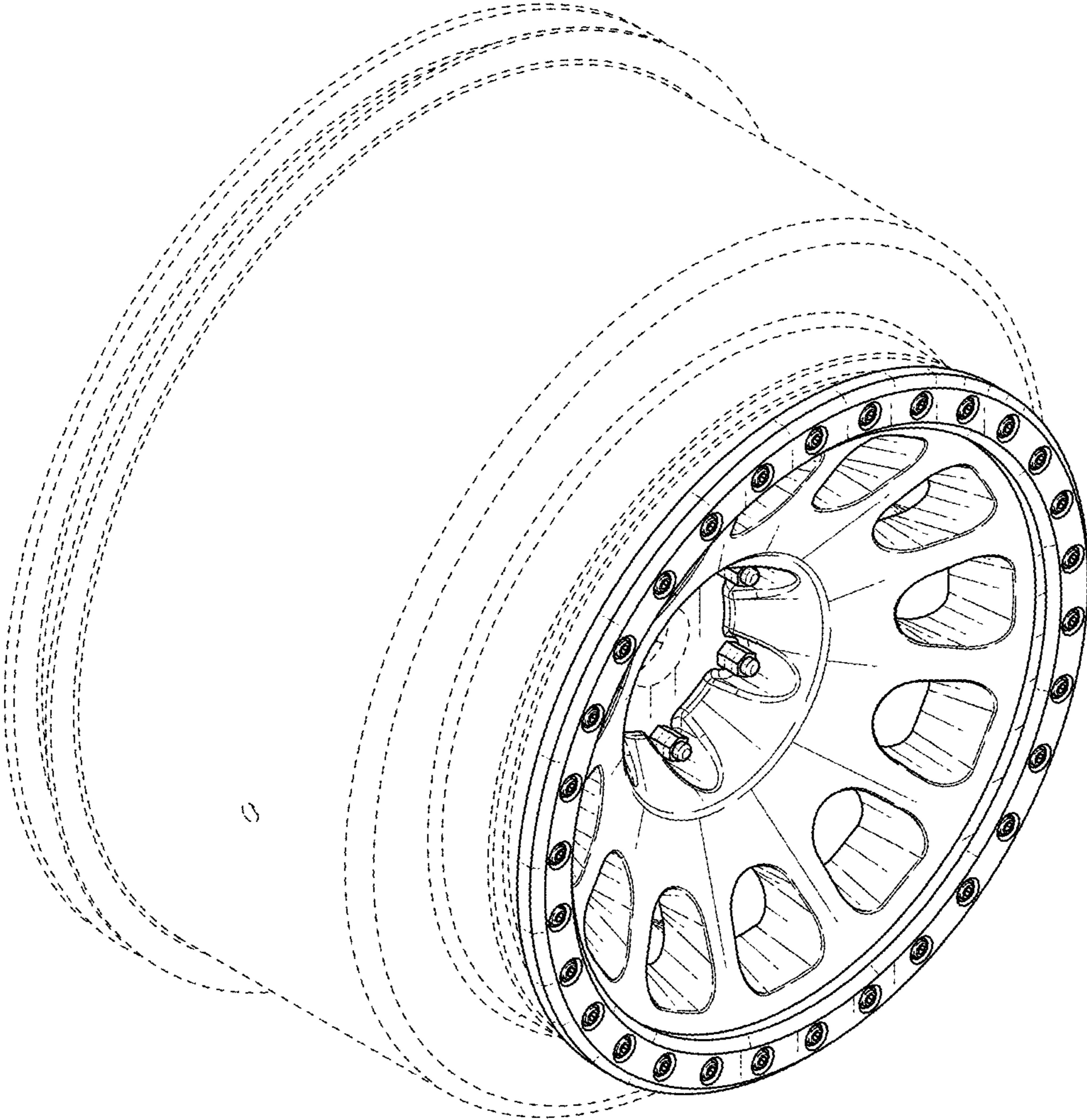


FIG. 1



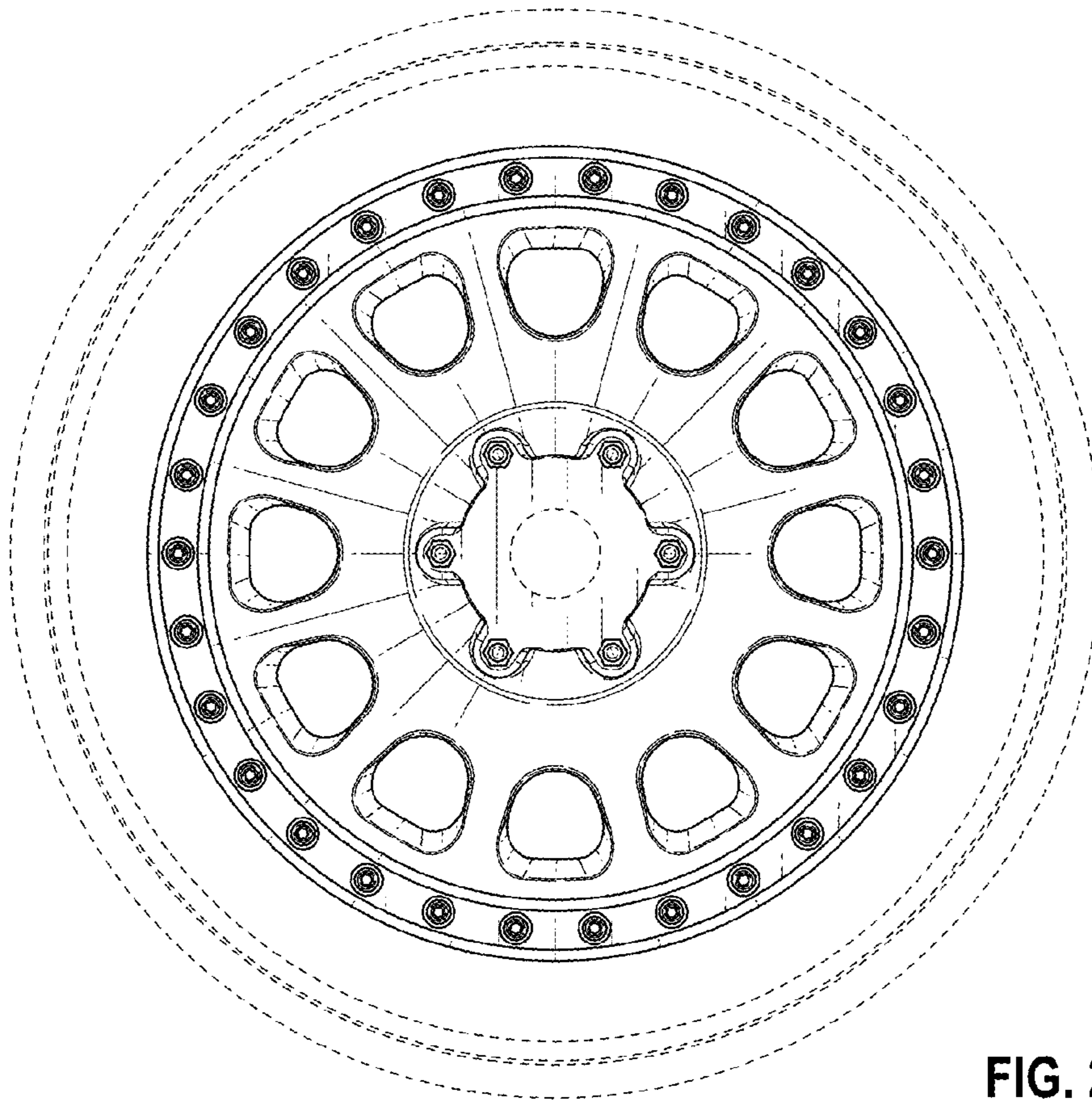


FIG. 2

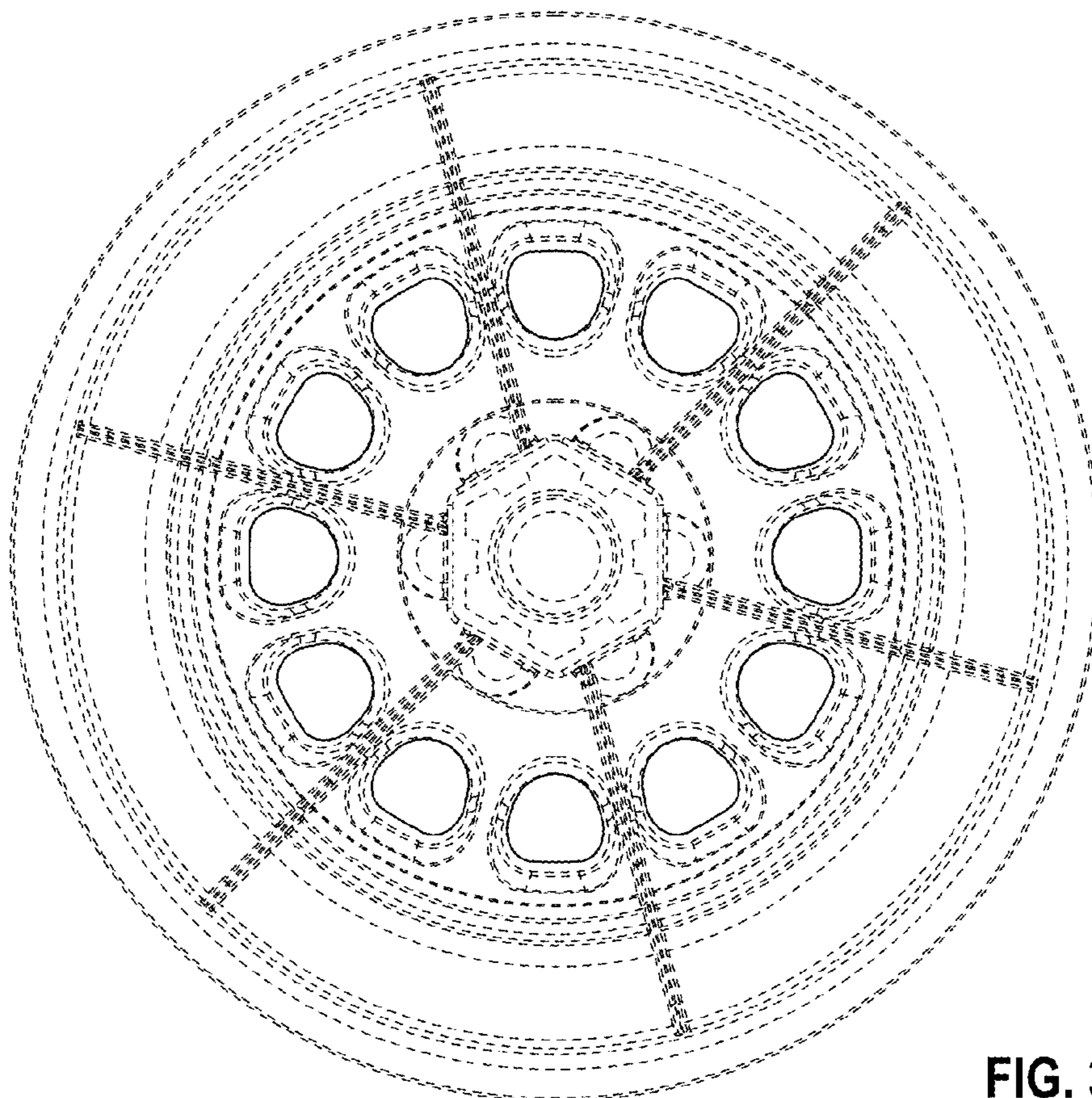


FIG. 3

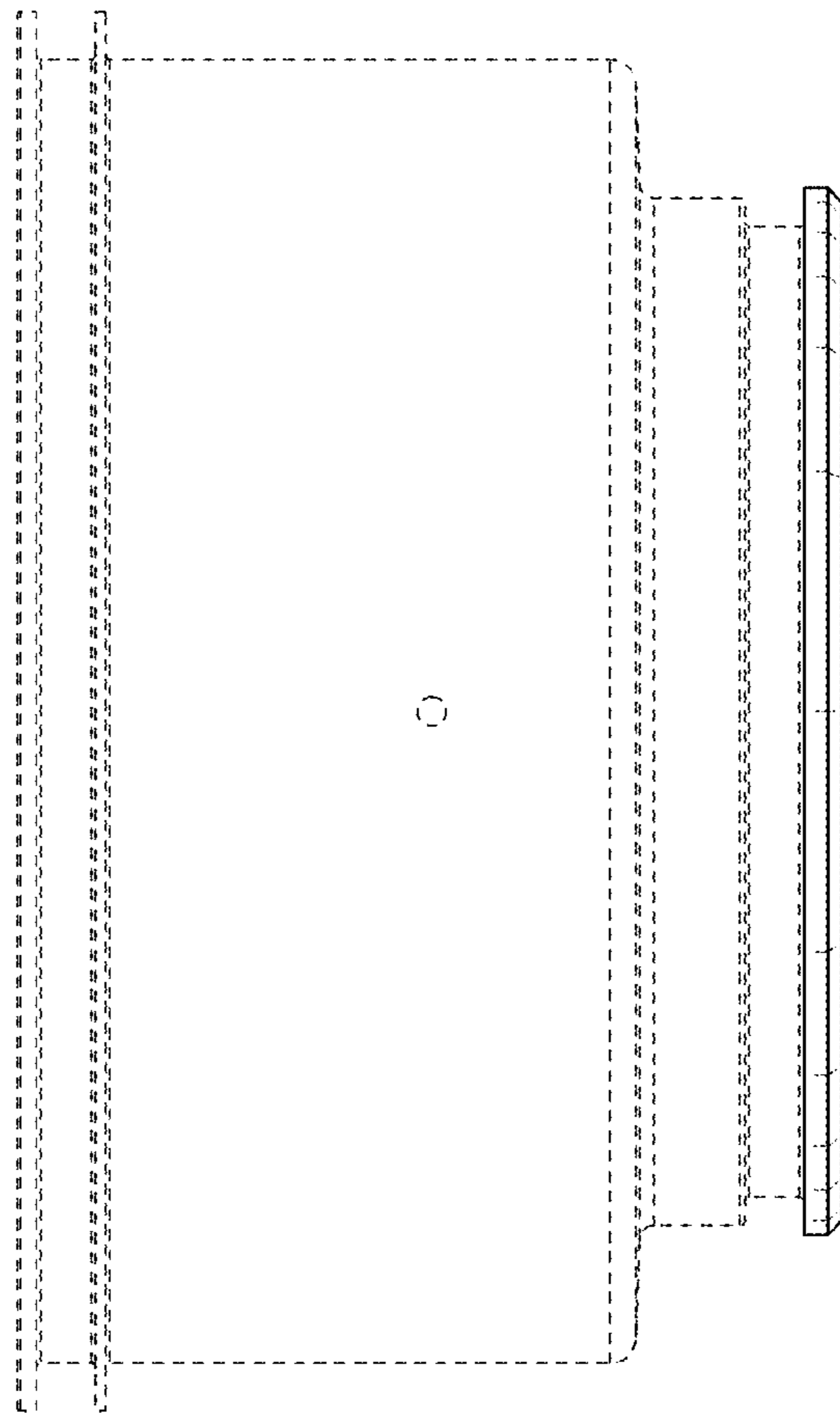


FIG. 4

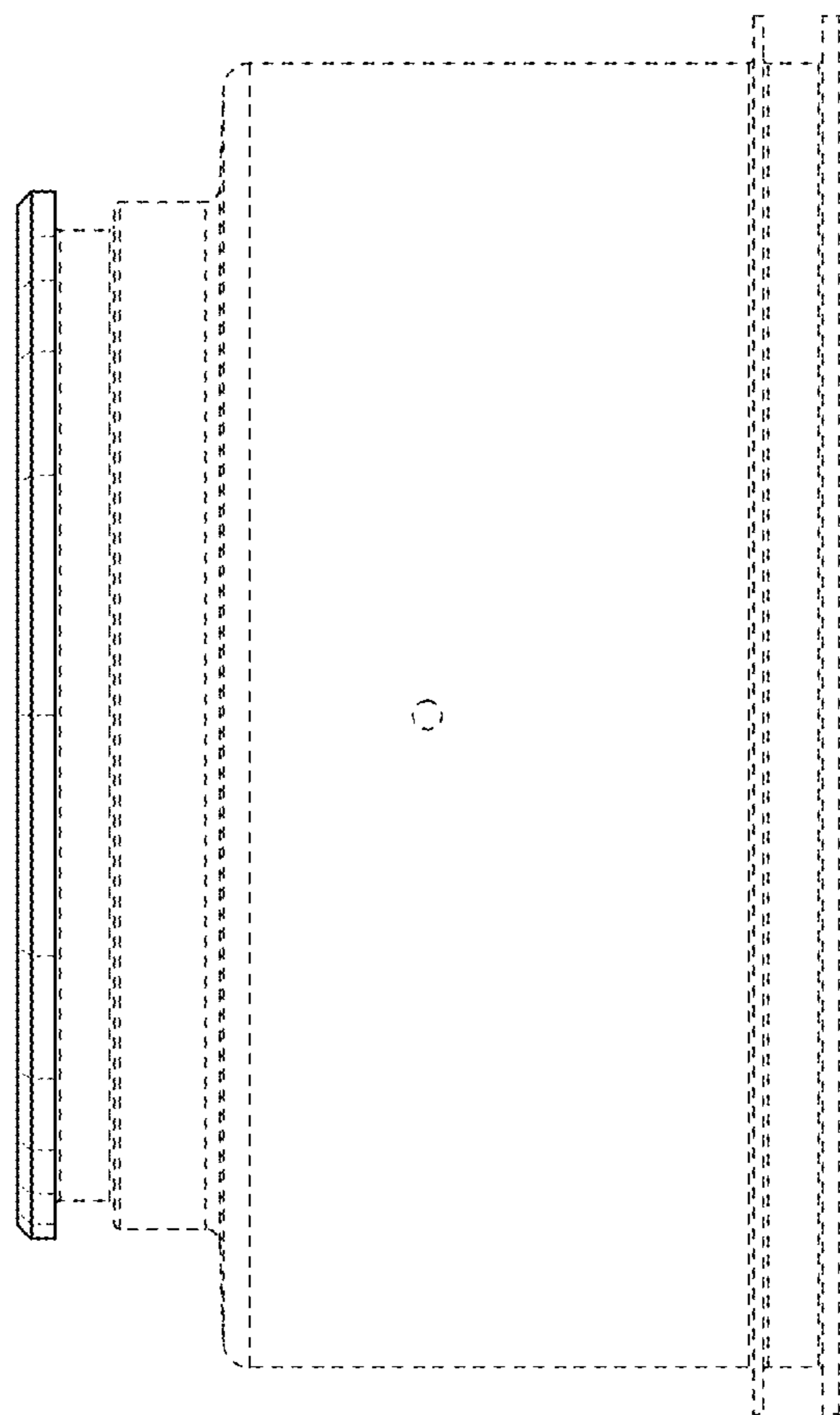


FIG. 5

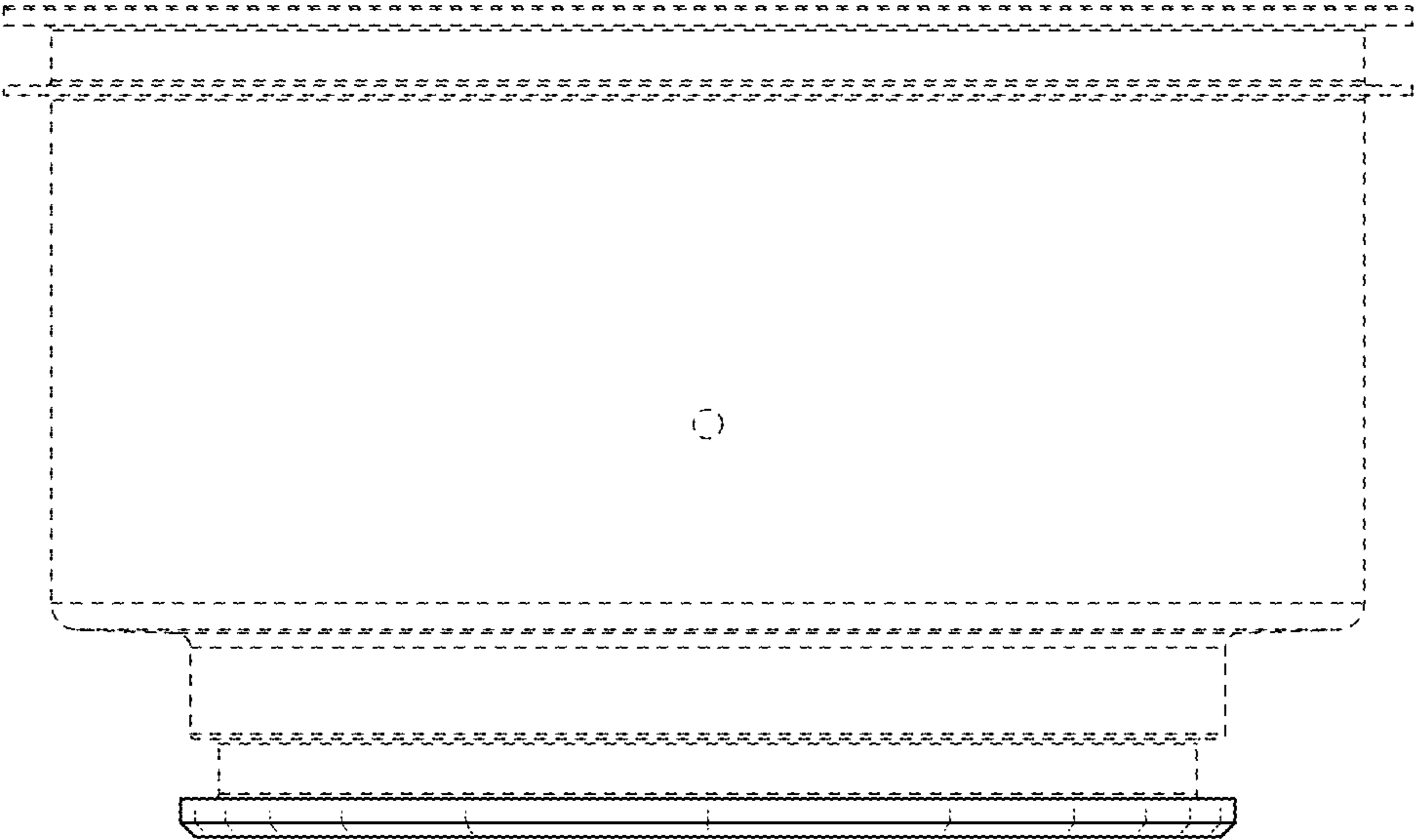


FIG. 6

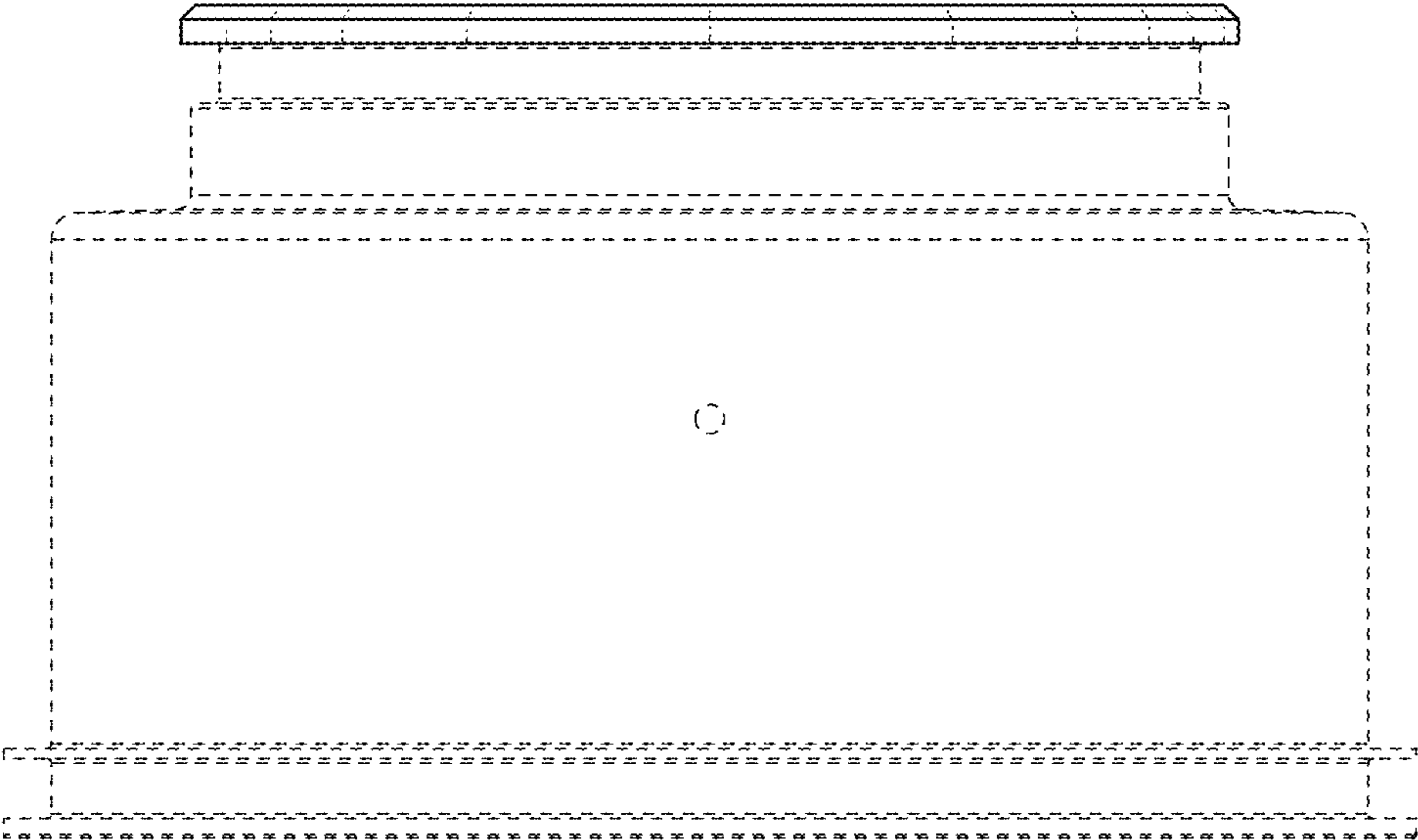


FIG. 7



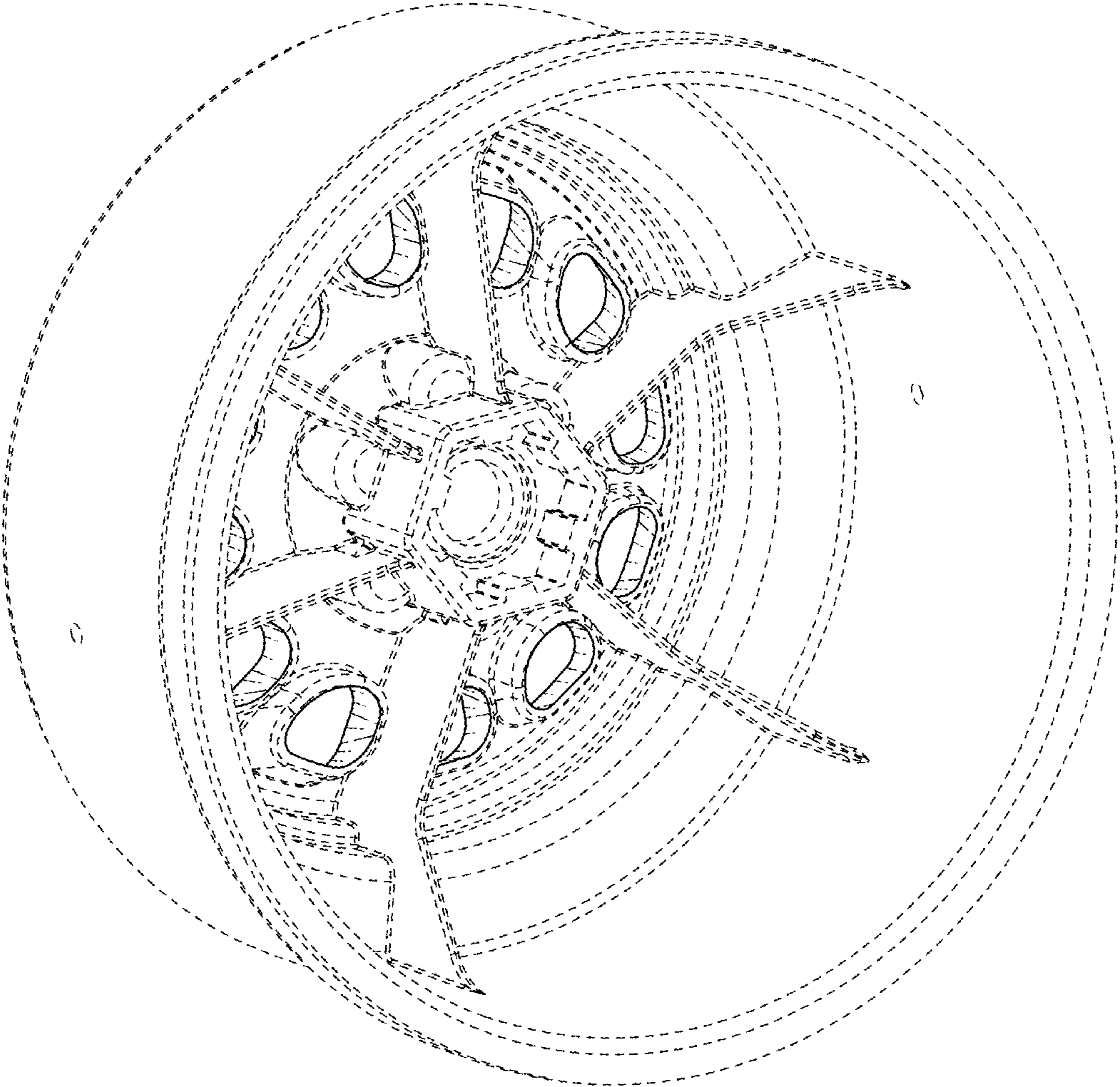


FIG. 8