



US0D1040884S

(12) **United States Design Patent**
Wodarcyk et al.

(10) **Patent No.:** **US D1,040,884 S**

(45) **Date of Patent:** **** Sep. 3, 2024**

(54) **BODY CAMERA**

D887,478 S * 6/2020 Brickner D16/218
D907,682 S * 1/2021 Sjögren D16/218
D958,219 S * 7/2022 Okawa D16/203

(71) Applicant: **MOTOROLA SOLUTIONS, INC.**,
Chicago, IL (US)

(72) Inventors: **Daniel Wodarcyk**, Park Ridge, IL
(US); **Guo Wei Chen**, Chicago, IL
(US); **Chi T Tran**, Naperville, IL (US);
James Dulaney, Princeton, TX (US)

(73) Assignee: **MOTOROLA SOLUTIONS, INC.**,
Chicago, IL (US)

(**) Term: **15 Years**

(21) Appl. No.: **29/865,171**

(22) Filed: **Jul. 12, 2022**

(51) **LOC (14) Cl.** **16-01**

(52) **U.S. Cl.**

USPC **D16/218**; D16/202

(58) **Field of Classification Search**

USPC D16/200, 202–208, 218, 219

CPC G03B 15/03; G03B 17/02; G03B 17/04;

G03B 17/56; G03B 19/04; H04N 23/50;

H04N 23/51; H04N 23/54; H04N 23/55;

H04N 23/62; H04N 23/63; H04N 7/181;

H04N 7/183; H04N 7/18

See application file for complete search history.

(56) **References Cited**

U.S. PATENT DOCUMENTS

D616,901 S * 6/2010 Ward D16/208
D651,632 S * 1/2012 Kim D16/202
D747,379 S * 1/2016 Onruang D16/202
D755,271 S * 5/2016 Patulski D16/202
D770,553 S * 11/2016 Schield D16/202
D794,695 S * 8/2017 Zhang D16/218
D848,509 S * 5/2019 Lee D16/218
D849,078 S * 5/2019 Girotti D16/202
D865,844 S * 11/2019 Jalala D16/218
D876,518 S * 2/2020 Tran D16/218

OTHER PUBLICATIONS

Capture Every Encounter—The V300 Body-Worn Video Solutions,
Brochure—V300, Motorola Solutions, Inc.—2021, Motorola Solu-
tions, Inc. all pages.

VB400—Body-Worn Camera, Brochure—VB400, Motorola Solu-
tions, Inc.—2021, Motorola Solutions, Inc., all pages.

Axon Body 2, <https://www.axon.com/products/body-2>, downloaded
from the internet: Jul. 11, 2022, all pages.

Axon Body 3, <https://www.axon.com/products/axon-body-3>, down-
loaded from the internet: Jul. 11, 2022, all pages.

* cited by examiner

Primary Examiner — Ramzi Almatrahi

(74) *Attorney, Agent, or Firm* — Raguraman Kumaresan

(57) **CLAIM**

The ornamental design for a body camera, as shown and
described.

DESCRIPTION

FIG. 1 is a front perspective view of a body camera showing
our new design;

FIG. 2 is a rear perspective view thereof;

FIG. 3 is a front view thereof;

FIG. 4 is a rear view thereof;

FIG. 5 is a first side view thereof;

FIG. 6 is a second side view thereof;

FIG. 7 is a top view thereof;

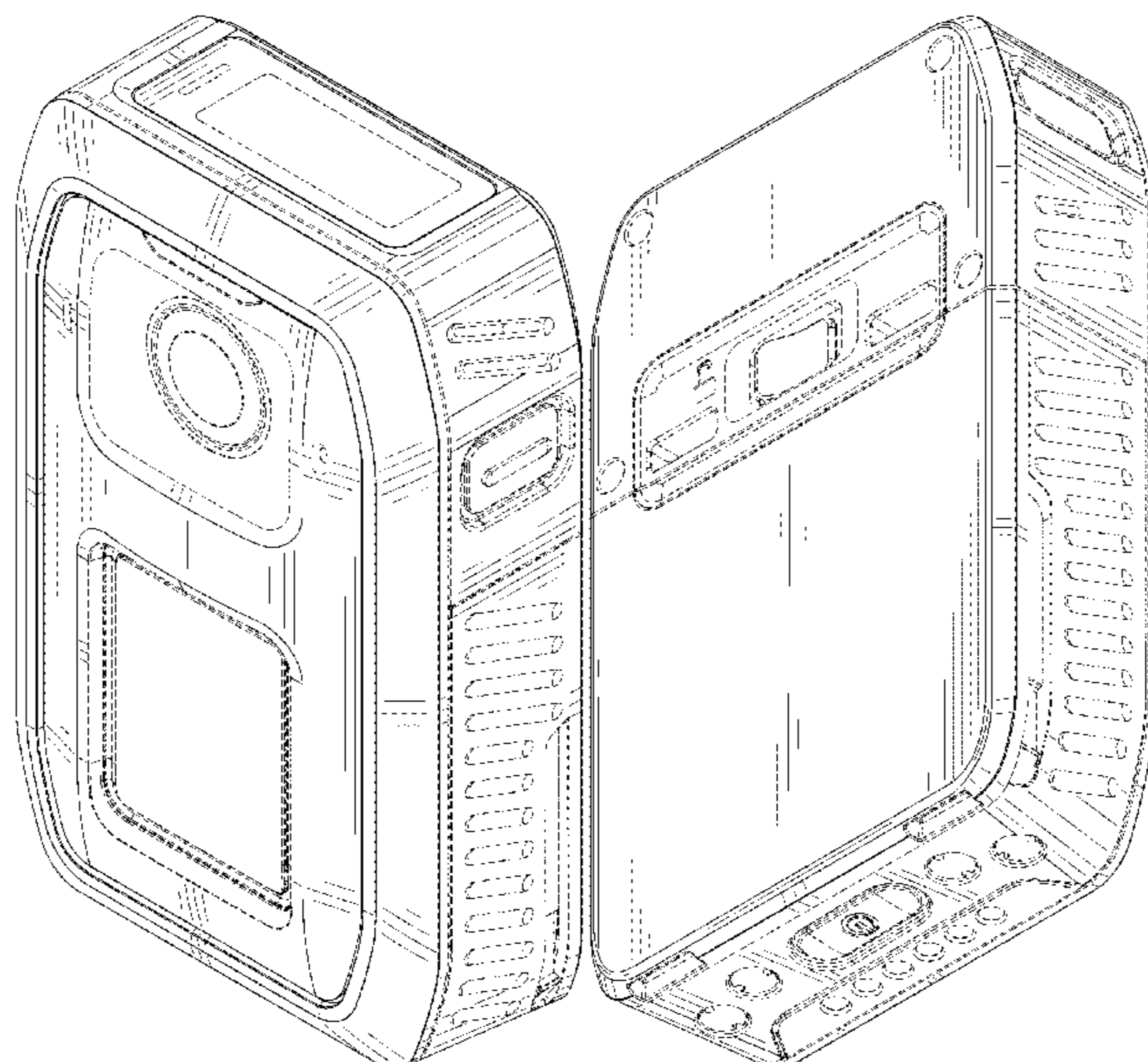
FIG. 8 is a bottom view thereof;

FIG. 9 is an exploded front perspective view thereof; and,

FIG. 10 is an exploded rear perspective view thereof.

The broken lines illustrate portions of the body camera that
form no part of the claimed design.

1 Claim, 9 Drawing Sheets



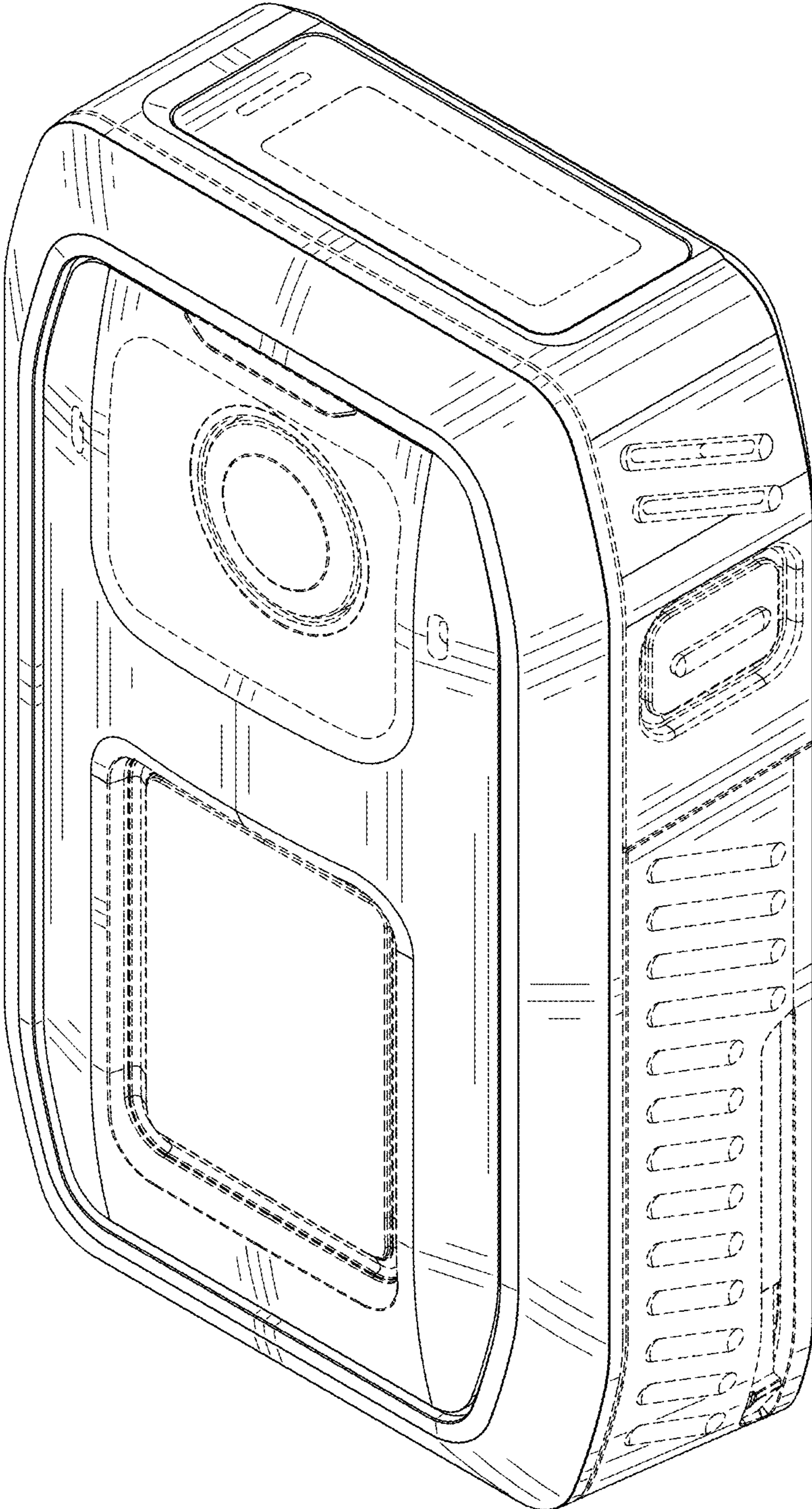


FIG. 1

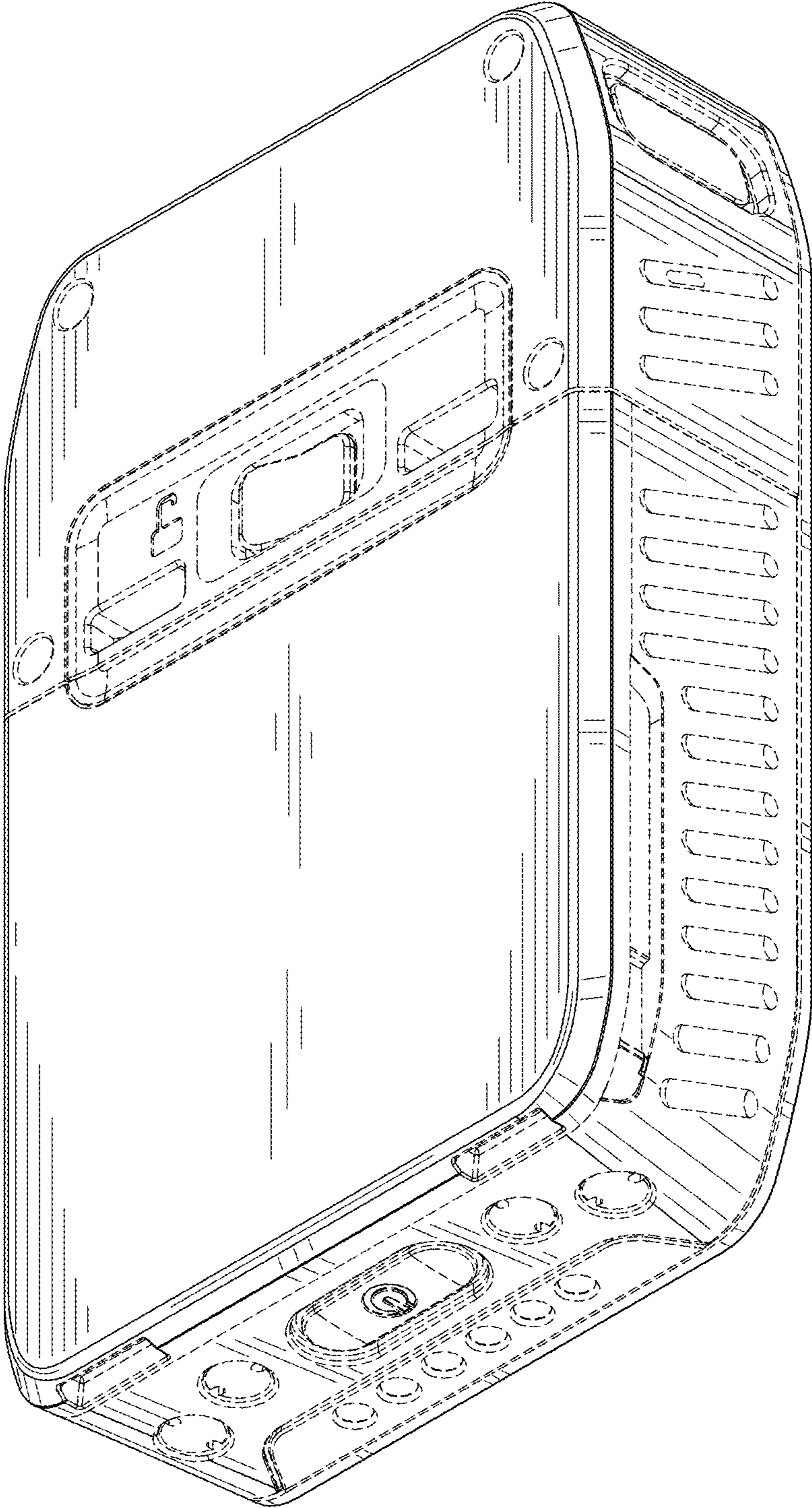


FIG. 2

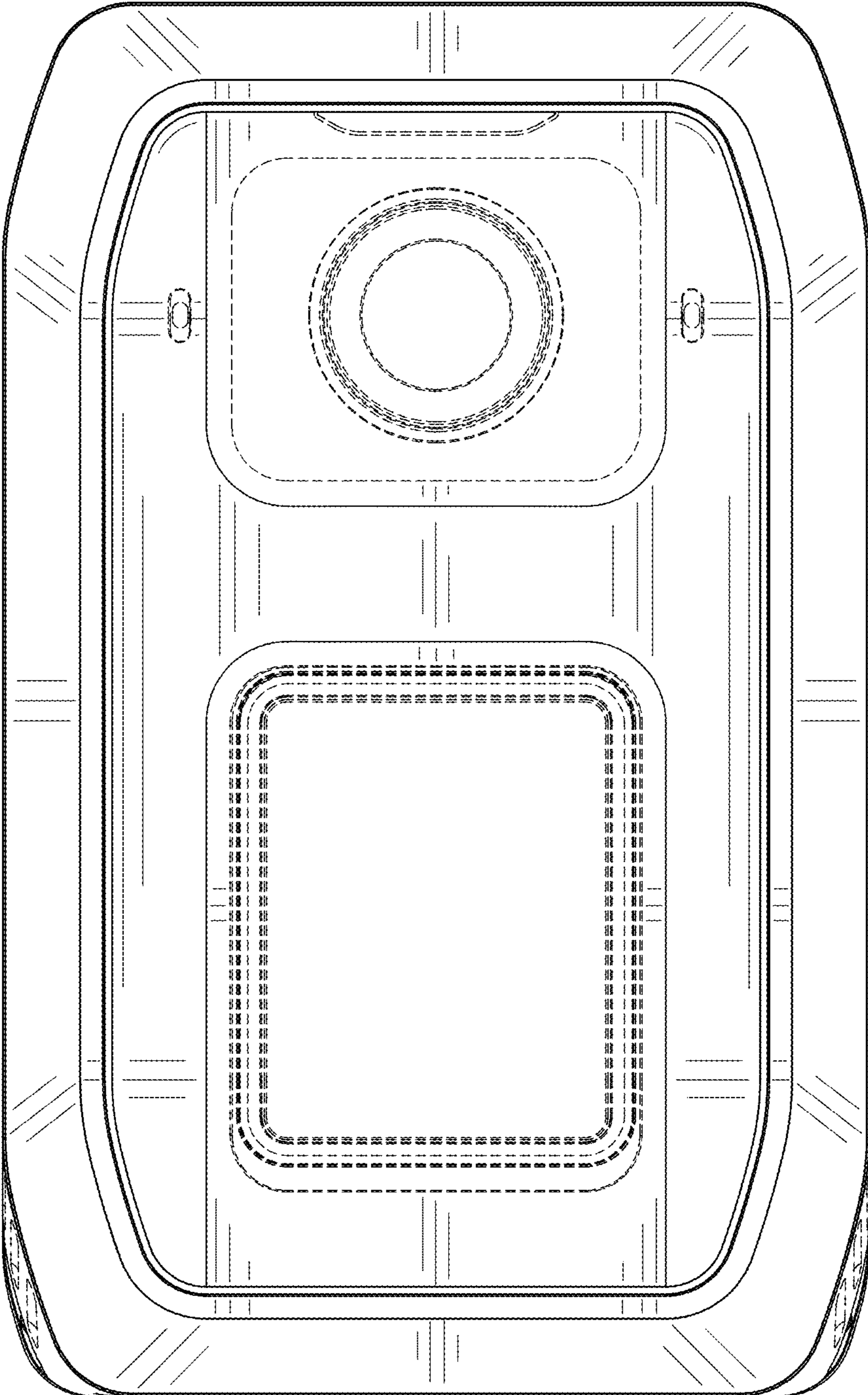


FIG. 3

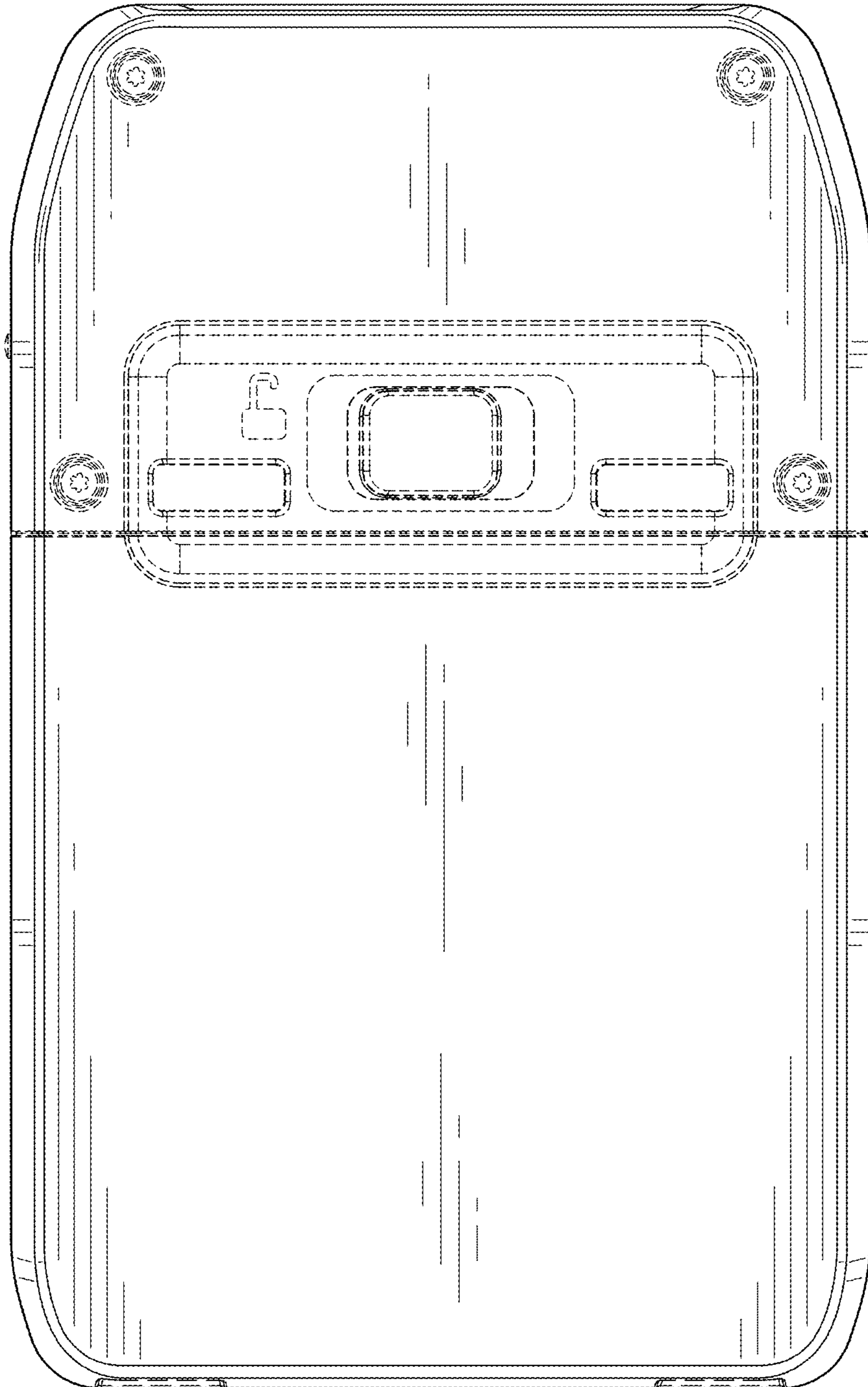


FIG. 4

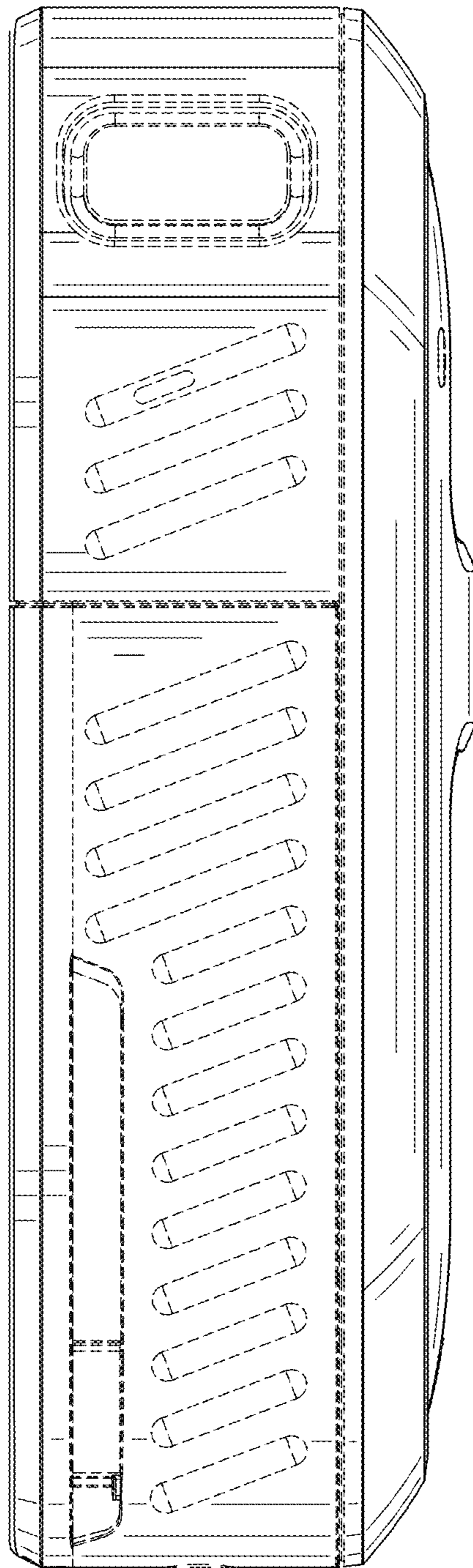


FIG. 5

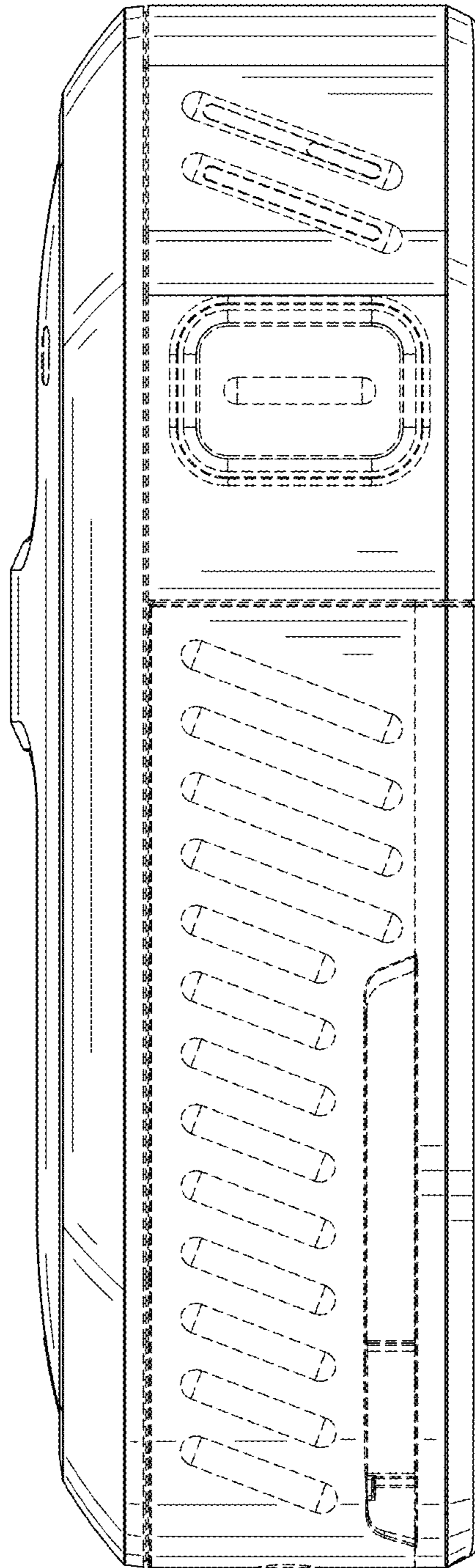


FIG. 6

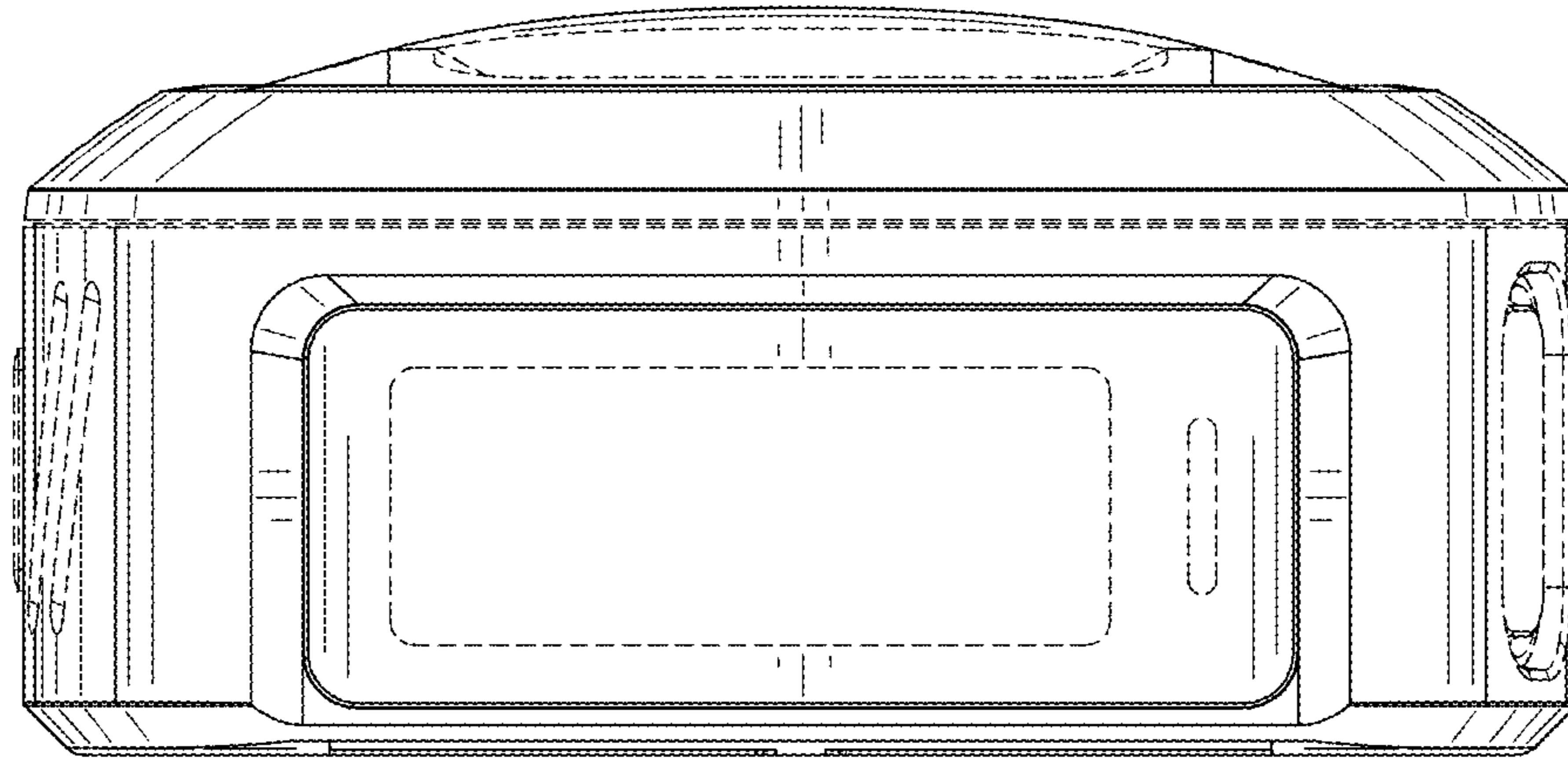


FIG. 7

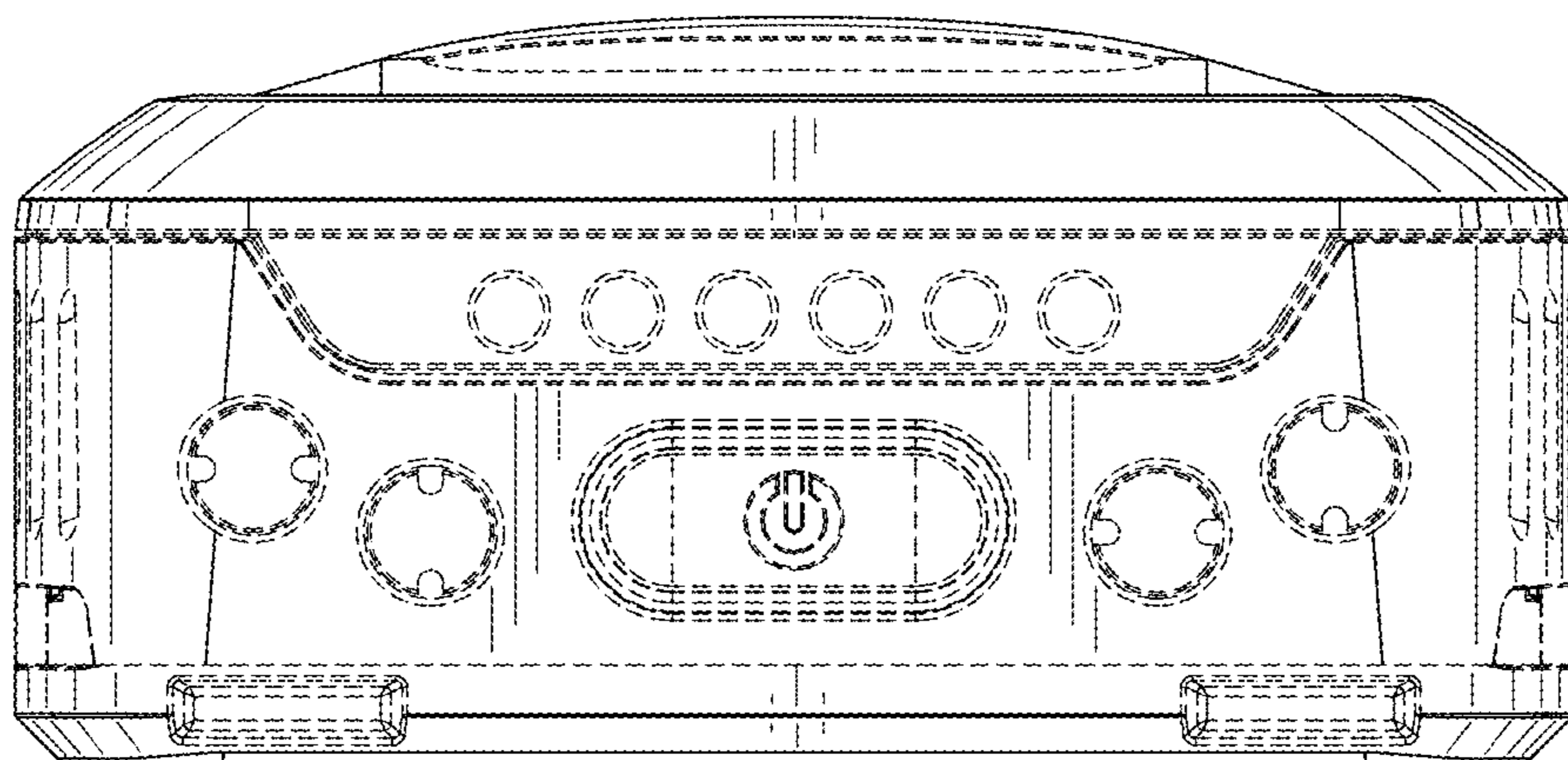


FIG. 8

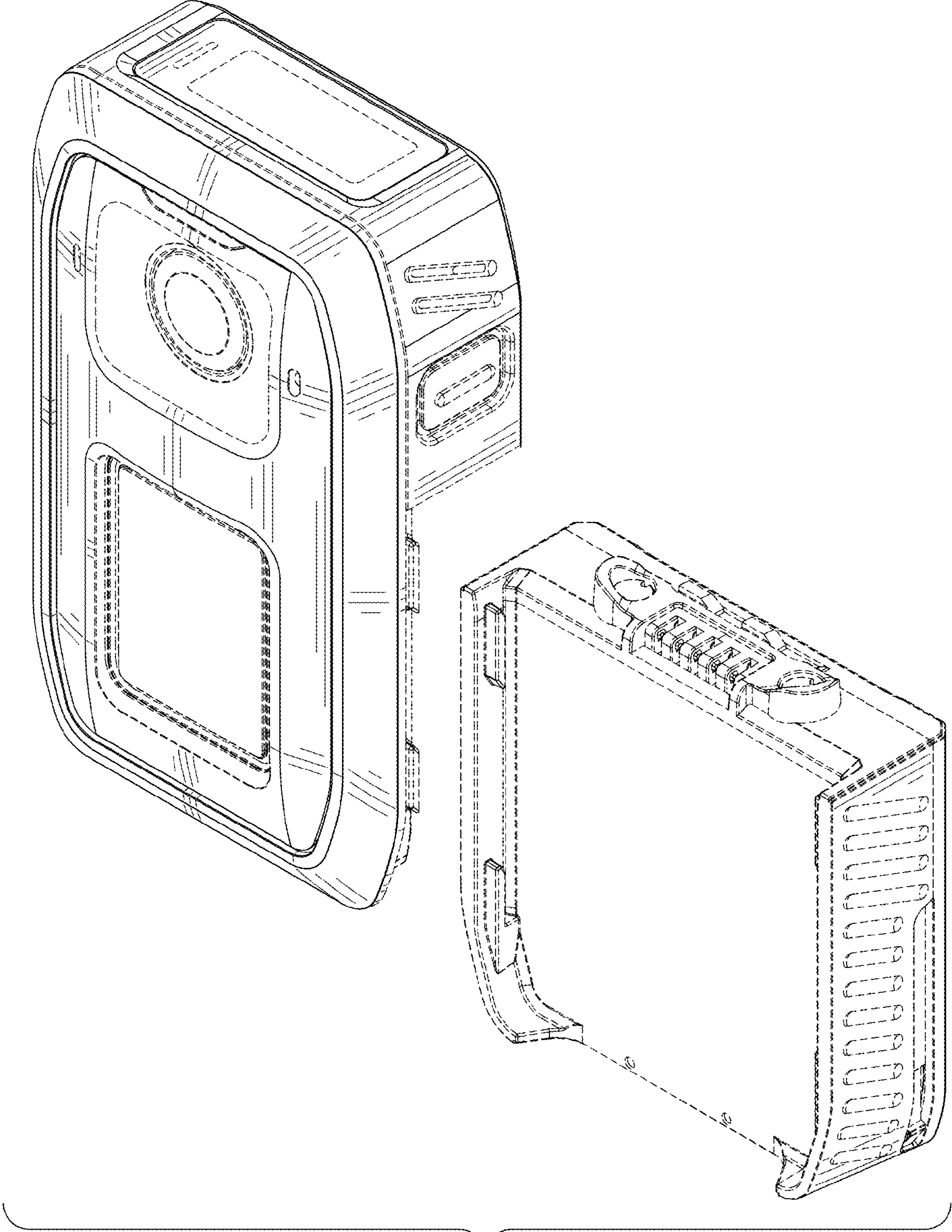


FIG. 9

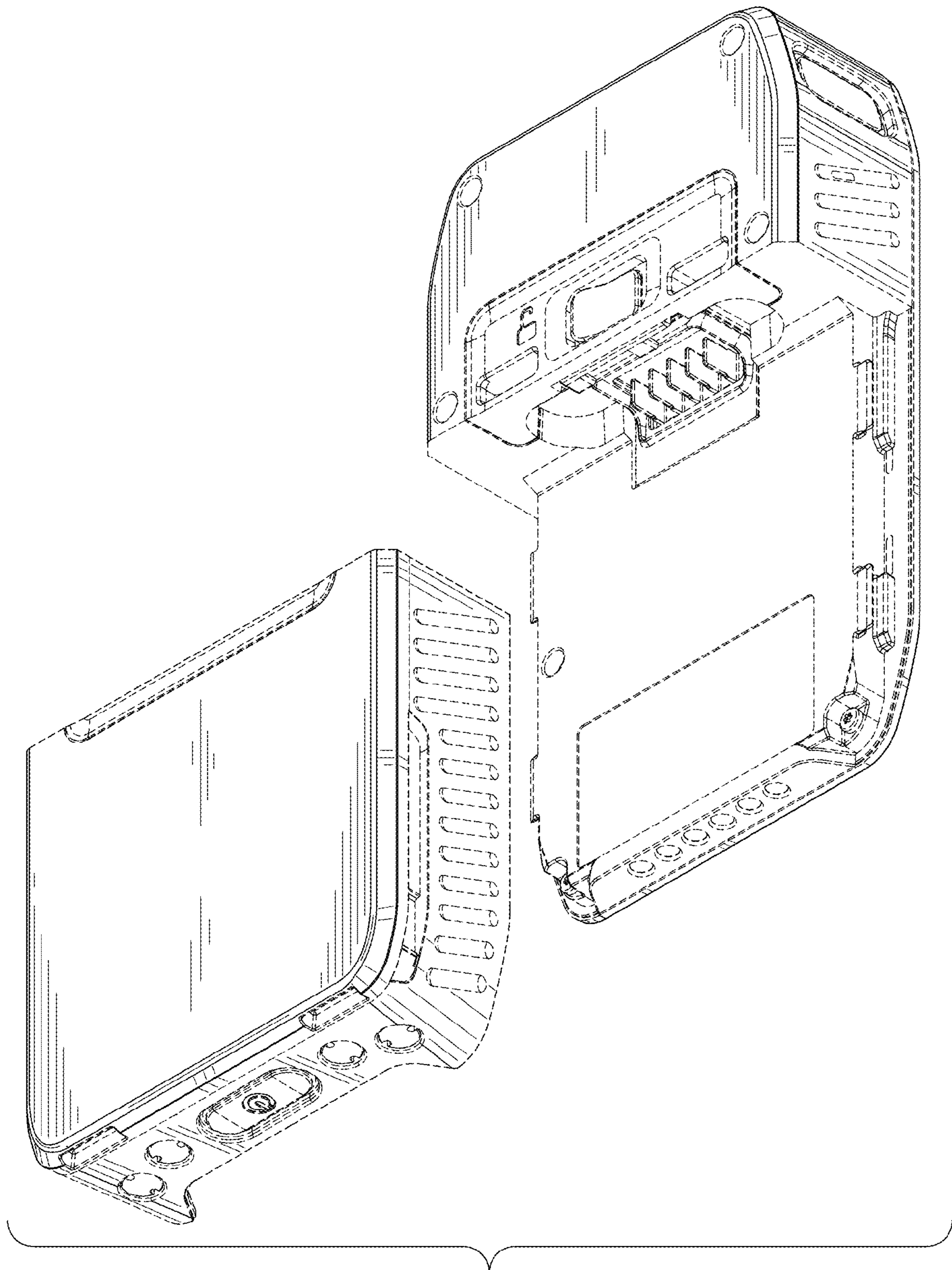


FIG. 10