



US0D1040877S

(12) **United States Design Patent** (10) **Patent No.:** **US D1,040,877 S**
Zhang (45) **Date of Patent:** **** Sep. 3, 2024**

(54) **HEAT PRESS MACHINE COVER**

(71) Applicant: **Dongfeng Zhang**, Tianchang (CN)

(72) Inventor: **Dongfeng Zhang**, Tianchang (CN)

(**) Term: **15 Years**

(21) Appl. No.: **29/933,786**

(22) Filed: **Mar. 21, 2024**

(30) **Foreign Application Priority Data**

Mar. 5, 2024 (CN) 202430109654.2

(51) **LOC (14) Cl.** **15-10**

(52) **U.S. Cl.**
USPC **D15/146**

(58) **Field of Classification Search**
USPC D7/336, 337, 352, 356, 362, 602;
D15/122, 123, 144, 146; D18/50, 53;
D32/9
CPC .. B41F 16/00; B41F 16/0026; B41F 16/0093;
B41F 1/38; B30B 15/047; B30B 15/061;
B30B 15/064; B30B 15/34; B41M 1/40;
B41M 5/035; B44C 1/1712
See application file for complete search history.

(56) **References Cited**

U.S. PATENT DOCUMENTS

D517,568 S * 3/2006 Pfeiffer D15/5
D627,798 S * 11/2010 Berning D15/28
D873,313 S * 1/2020 Galkin D15/123
D875,149 S * 2/2020 Galkin D15/122
D876,601 S 2/2020 Li
D925,630 S * 7/2021 Galkin D15/122
D927,577 S * 8/2021 Galkin D15/122
D1,007,549 S * 12/2023 Liu D15/146

OTHER PUBLICATIONS

Slendor, Upgraded 5 in 1 Heat Press Machine, (first available Oct. 13, 2023), Amazon.ca, URL:<https://www.amazon.ca/Upgraded-

30oz-Attachment-Multifunction-Sublimation/dp/B0CKYT9L2X> (Year: 2023).*

Vevor, Heat Press Machine 8 in 1 Combo, (first available Jan. 26, 2024), Amazon.ca, URL:<https://www.amazon.ca/dp/B0CT8WQQJY> (Year: 2024).*

Akeydiy, 5 in 1 Heat Press Machine for t Shirts Professional Swing Away Heat Press, (first available Mar. 17, 2021), Amazon.com, URL:<https://www.amazon.com/360-degree-Rotation-Multifunctional-Sublimation-Tablecloth/dp/B08Z7DTYRV> (Year: 2021).*

Atezzr, Upgraded 8 in 1 Heat Press Machine, (first available Mar. 8, 2024), Amazon.com, URL:<https://www.amazon.com/dp/B0CXHJSJDJ> (Year: 2024).*

* cited by examiner

Primary Examiner — Calvin E Vansant

Assistant Examiner — Mark T. Philipps

(74) *Attorney, Agent, or Firm* — George D. Morgan

(57) **CLAIM**

The ornamental design for a heat press machine cover, as shown and described.

DESCRIPTION

FIG. 1 is a front perspective view of a heat press machine cover, showing my new design;

FIG. 2 is a rear perspective view thereof;

FIG. 3 is a front view thereof;

FIG. 4 is a rear view thereof;

FIG. 5 is a left side view thereof;

FIG. 6 is a right side view thereof;

FIG. 7 is a top view thereof;

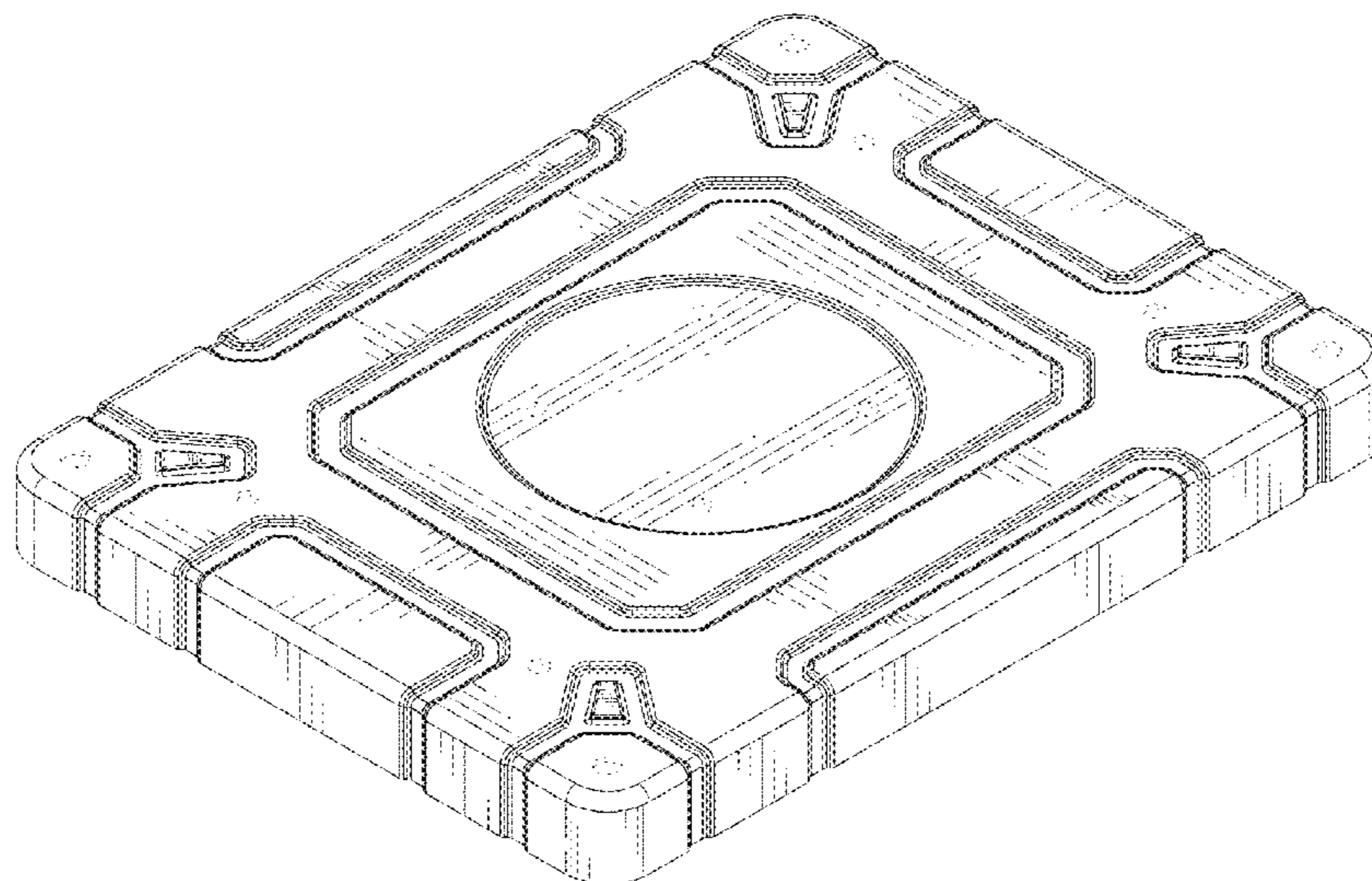
FIG. 8 is a bottom view thereof;

FIG. 9 is a perspective view of its use state; and,

FIG. 10 is a front view thereof of its usage status.

The broken lines in the drawings illustrate the portions of the heat press machine cover, which form no part of the claimed design.

1 Claim, 10 Drawing Sheets



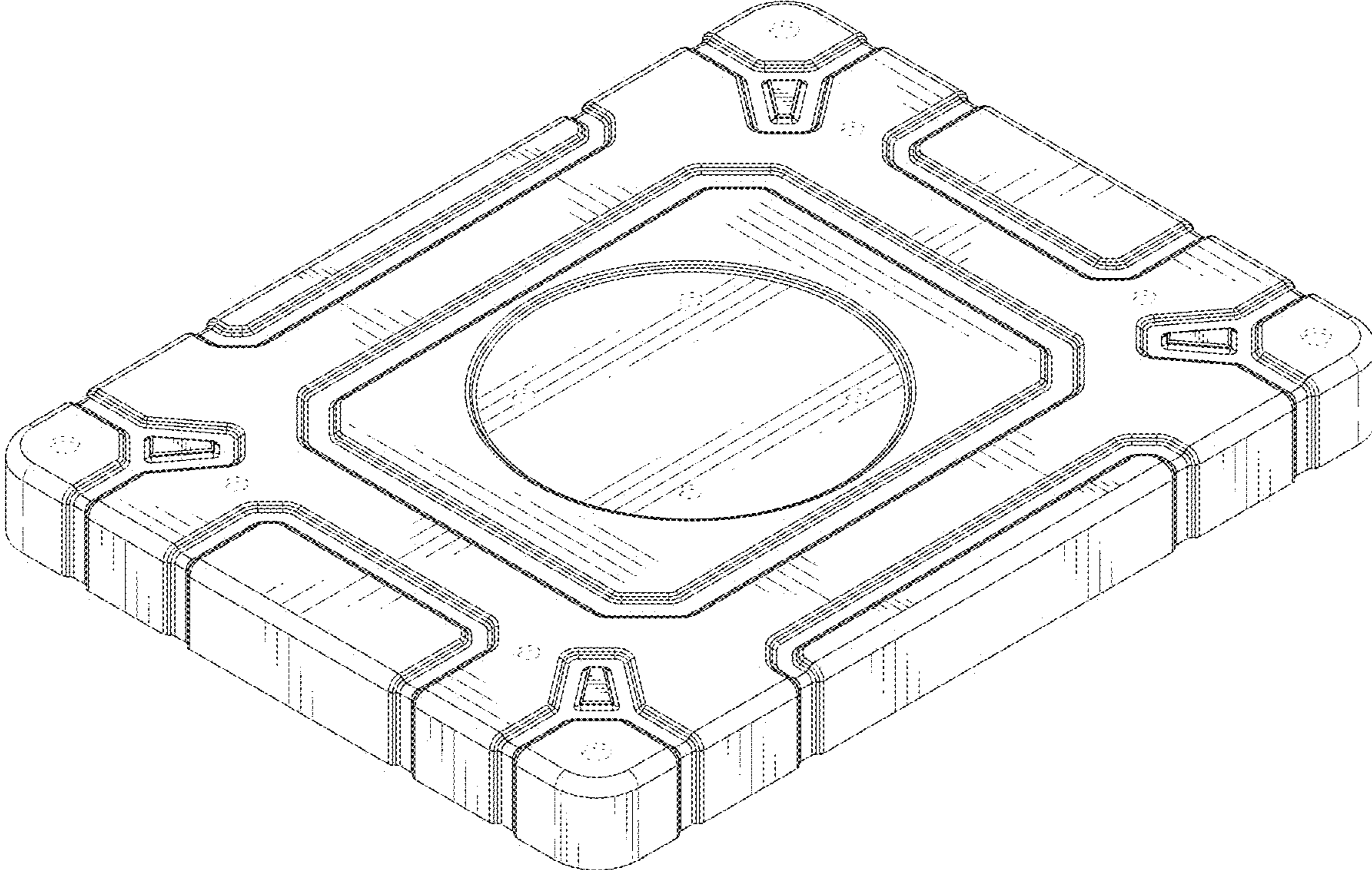


FIG. 1

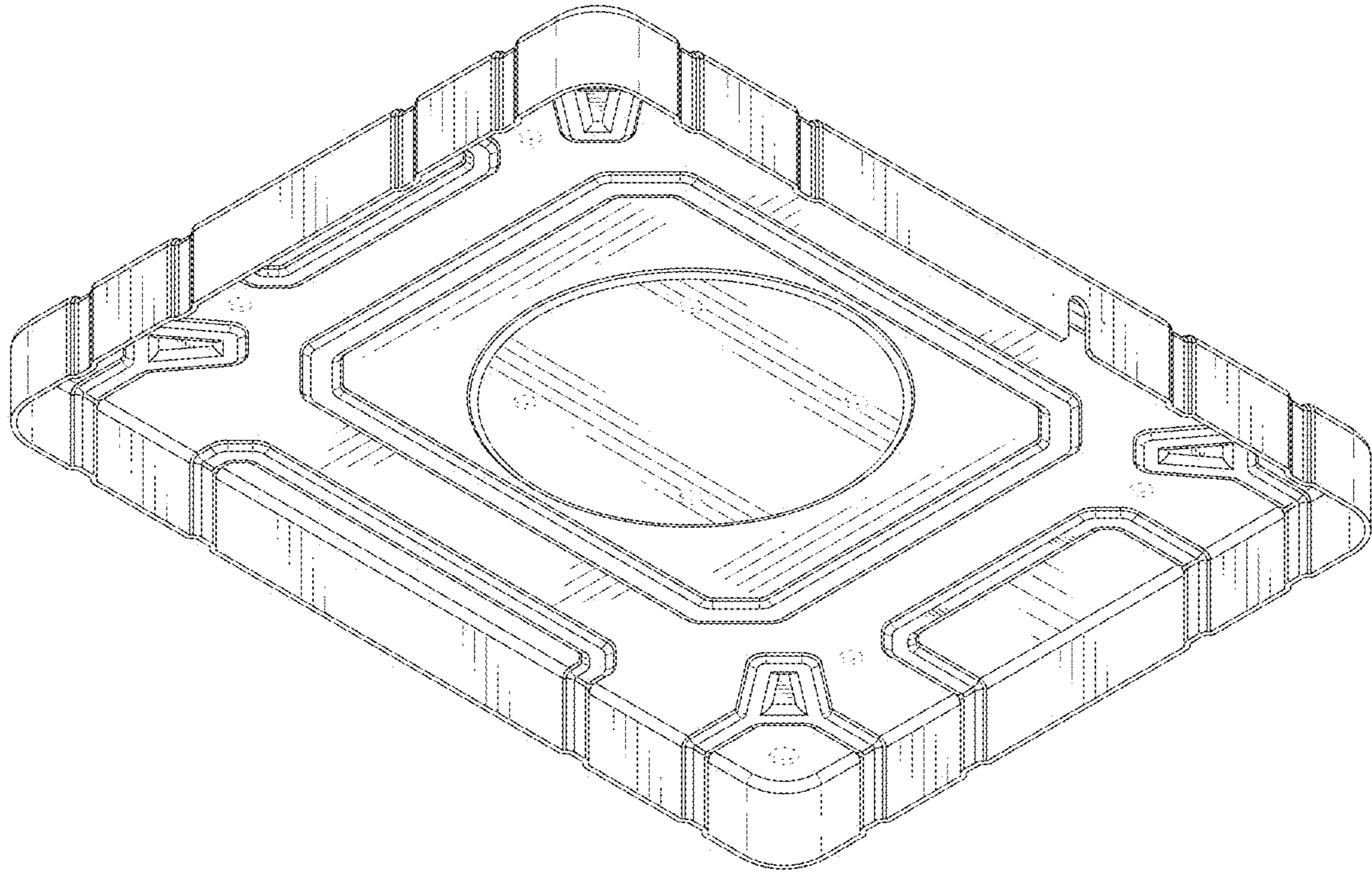


FIG. 2

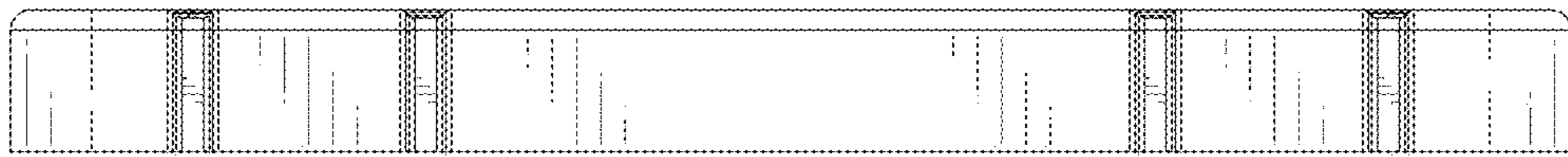


FIG. 3

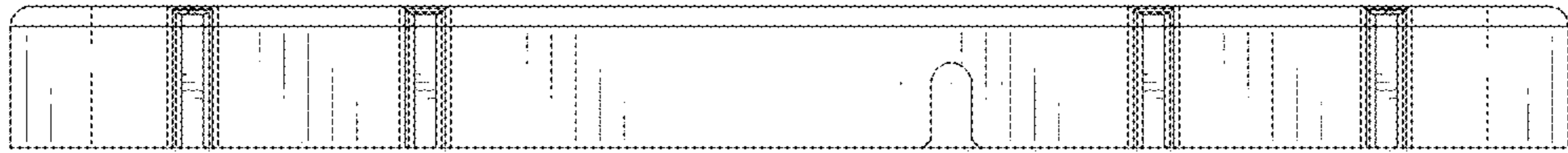


FIG. 4

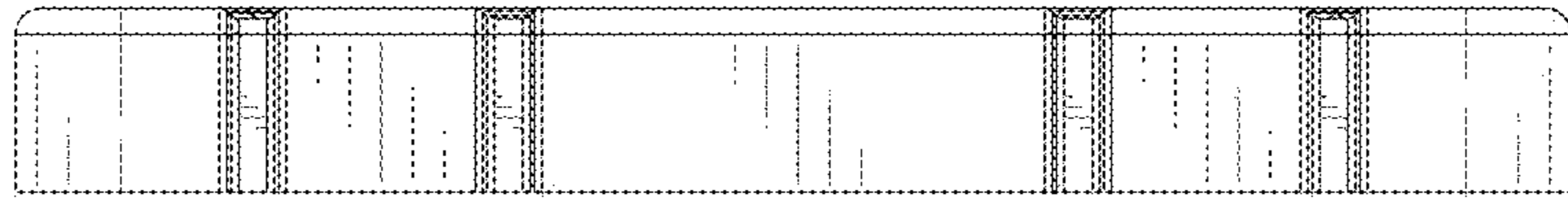


FIG. 5

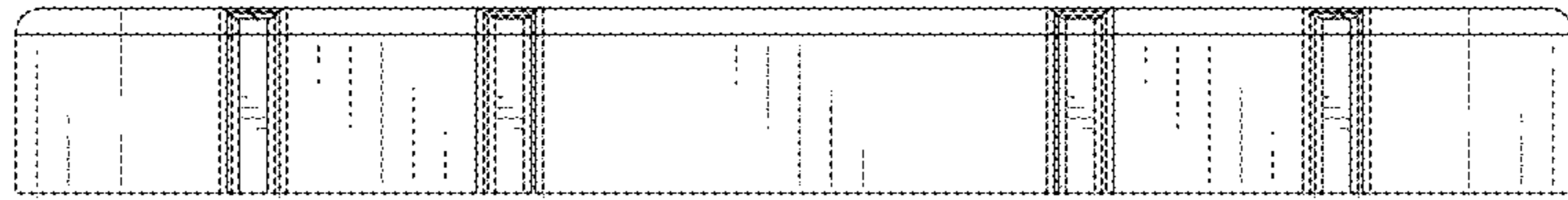


FIG. 6

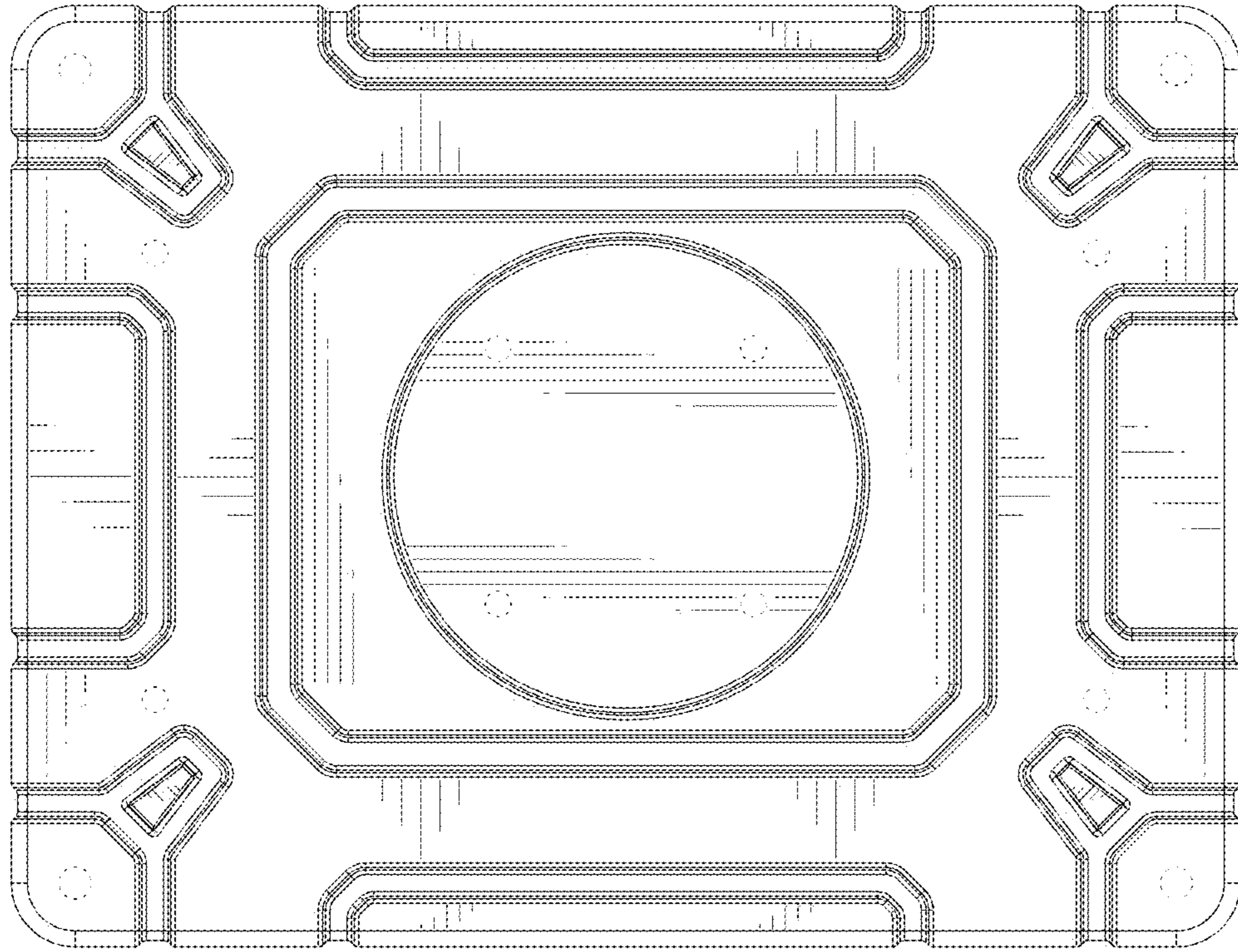


FIG. 7

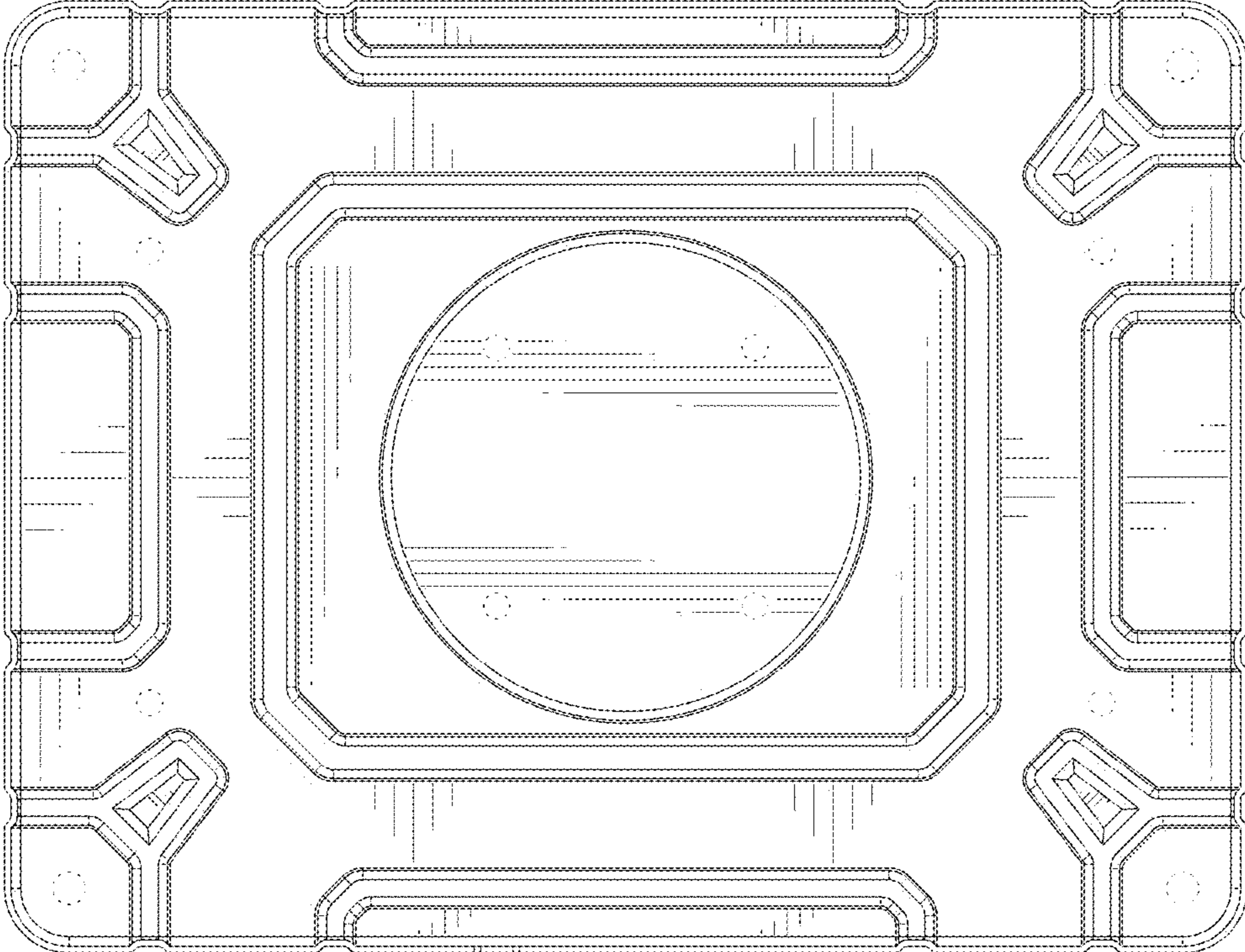


FIG. 8

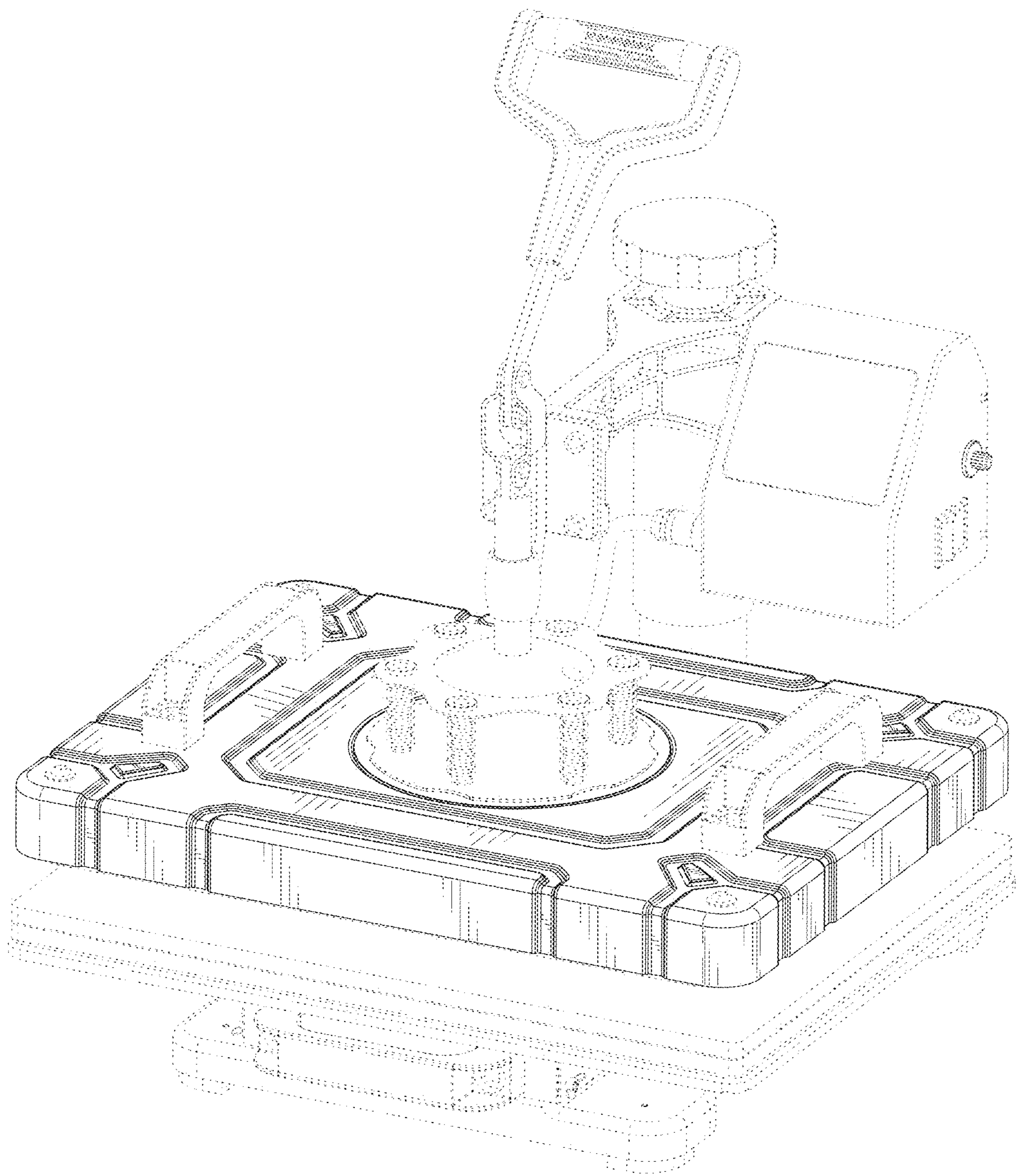


FIG. 9

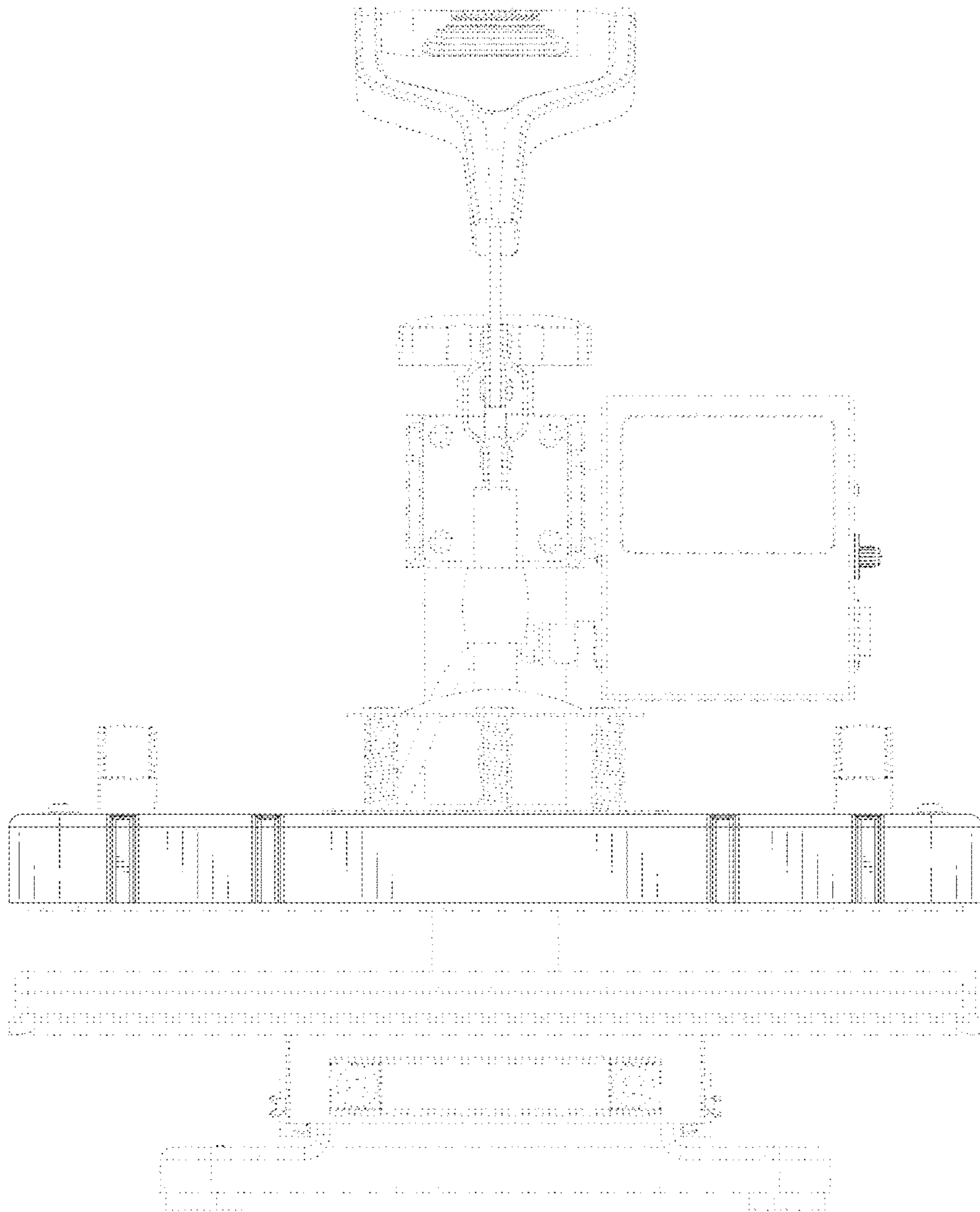


FIG. 10