



US0D1040872S

(12) **United States Design Patent** (10) **Patent No.:** **US D1,040,872 S**
Ye (45) **Date of Patent:** **** Sep. 3, 2024**

(54) **ICE CUBE MAKER**
(71) Applicant: **Zhengsheng Ye**, Heyuan (CN)
(72) Inventor: **Zhengsheng Ye**, Heyuan (CN)
(**) Term: **15 Years**

(21) Appl. No.: **29/944,955**
(22) Filed: **May 30, 2024**
(51) **LOC (14) Cl.** **07-10**
(52) **U.S. Cl.**
USPC **D15/90**; D15/136
(58) **Field of Classification Search**
USPC D7/300, 368, 387, 603, 605-609, 619.1,
D7/669, 672, 675, 676, 709, 710;
D15/79, 80, 90, 135, 136; D9/757, 759
CPC F25C 1/08; F25C 1/24; F25C 1/25; F25C
1/243; F25C 1/246; B65D 81/38; B65D
81/3813; B65D 81/3816; B65D 81/3818;
B65D 81/382; B65D 81/3823; B65D
81/3825; B65D 81/3827; B65D 81/383;
B65D 81/3832; B65D 81/3834; B65D
81/3848; B65D 81/3851; B65D 81/3853;
B65D 81/3855; B65D 81/3858; B65D
81/386; B65D 81/3862; B65D 81/3874;
F25D 2331/804; F25D 2331/801; A45C
11/20

See application file for complete search history.

(56) **References Cited**
U.S. PATENT DOCUMENTS

D196,777 S * 11/1963 Haynes D30/132
D269,935 S * 8/1983 Powers D7/553.6
D346,552 S * 5/1994 Krupa D9/757
D591,866 S * 5/2009 Malkin D24/227
D800,184 S * 10/2017 Suess D15/79
D824,716 S * 8/2018 Elgamil D7/354
D881,467 S * 4/2020 Gonzalez D28/38
D882,648 S * 4/2020 Peng D15/90
D902,434 S * 11/2020 Livingston D24/227

D982,045 S * 3/2023 Lu D11/152
D992,607 S * 7/2023 Tan D15/90
D996,478 S * 8/2023 Liu D15/90
D998,418 S 9/2023 Su
D1,001,587 S * 10/2023 Sendowski D7/553.4
D1,029,052 S * 5/2024 Qiu D15/90
(Continued)

OTHER PUBLICATIONS

Alwenid, Ice Cube Tray Mold for Stanley 40oz, (first available Apr. 19, 2024), Amazon.com, URL:<<https://www.amazon.com/Accessories-Alwenid-Silicone-Cocktails-Dishwasher/dp/B0D254S74S>> (Year: 2024).*

(Continued)

Primary Examiner — Calvin E Vansant
Assistant Examiner — Mark T. Philipps
(74) *Attorney, Agent, or Firm* — Justin Lampel

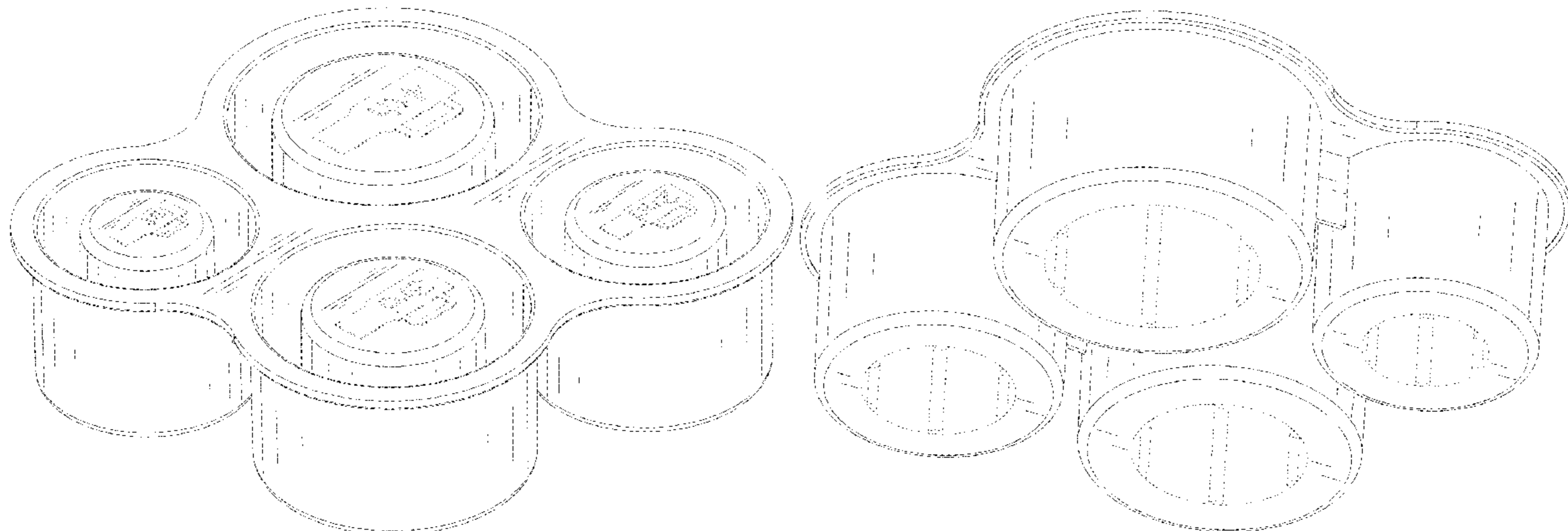
(57) **CLAIM**

The ornamental design for a ice cube maker, as shown and described.

DESCRIPTION

FIG. 1 is a perspective view of a ice cube maker showing the claimed design;
FIG. 2 is another perspective view thereof;
FIG. 3 is a front elevational view thereof;
FIG. 4 is a rear elevational view thereof;
FIG. 5 is a left side view thereof;
FIG. 6 is a right side view thereof;
FIG. 7 is a top plan view thereof;
FIG. 8 is a bottom plan view thereof; and,
FIG. 9 is an embodiment in which the ice cube maker is that it shows a state that can be used with the lid and can be opened thereof.
The broken lines depict portions of the ice cube maker that form no part of the claimed design.

1 Claim, 9 Drawing Sheets



(56)

References Cited

U.S. PATENT DOCUMENTS

D1,032,670 S * 6/2024 Jiang D15/90
2023/0358367 A1 * 11/2023 Hellmann F17C 13/10

OTHER PUBLICATIONS

CCILAND, Ice Cube Tray for Tumbler Cup, (first available Apr. 21, 2024), Amazon.com, URL:<<https://www.amazon.com/CCILAND-Tumbler-Silicone-Cylinder-Tumblers/dp/B0D2B8R82T>> (Year: 2024).*

Tizuxa, Ice Cube Tray for Tumbler Cup, (first available Apr. 21, 2024), Amazon.com, URL:<<https://www.amazon.com/dp/B0D1R9RFDH>> (Year: 2024).*

* cited by examiner

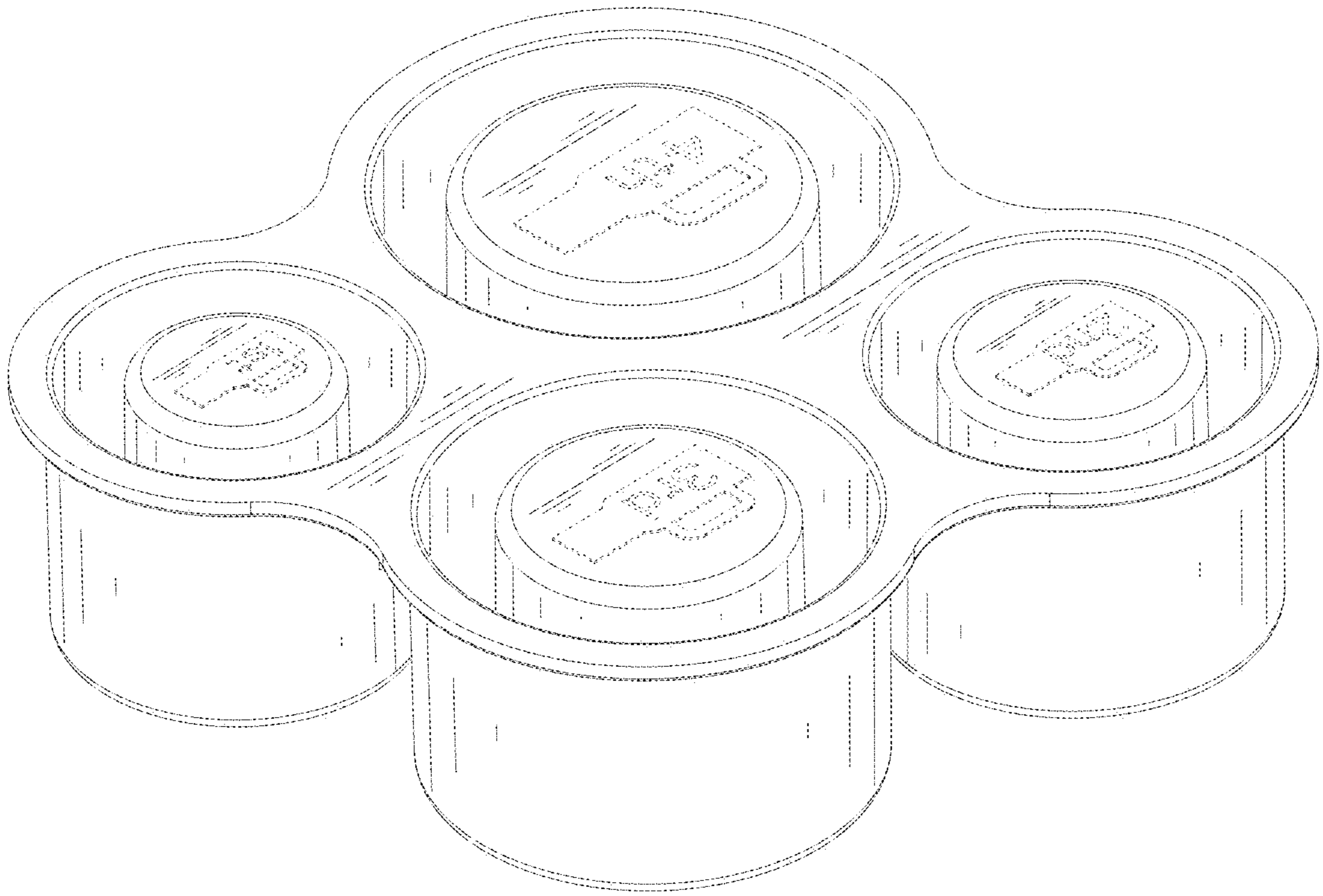


FIG. 1

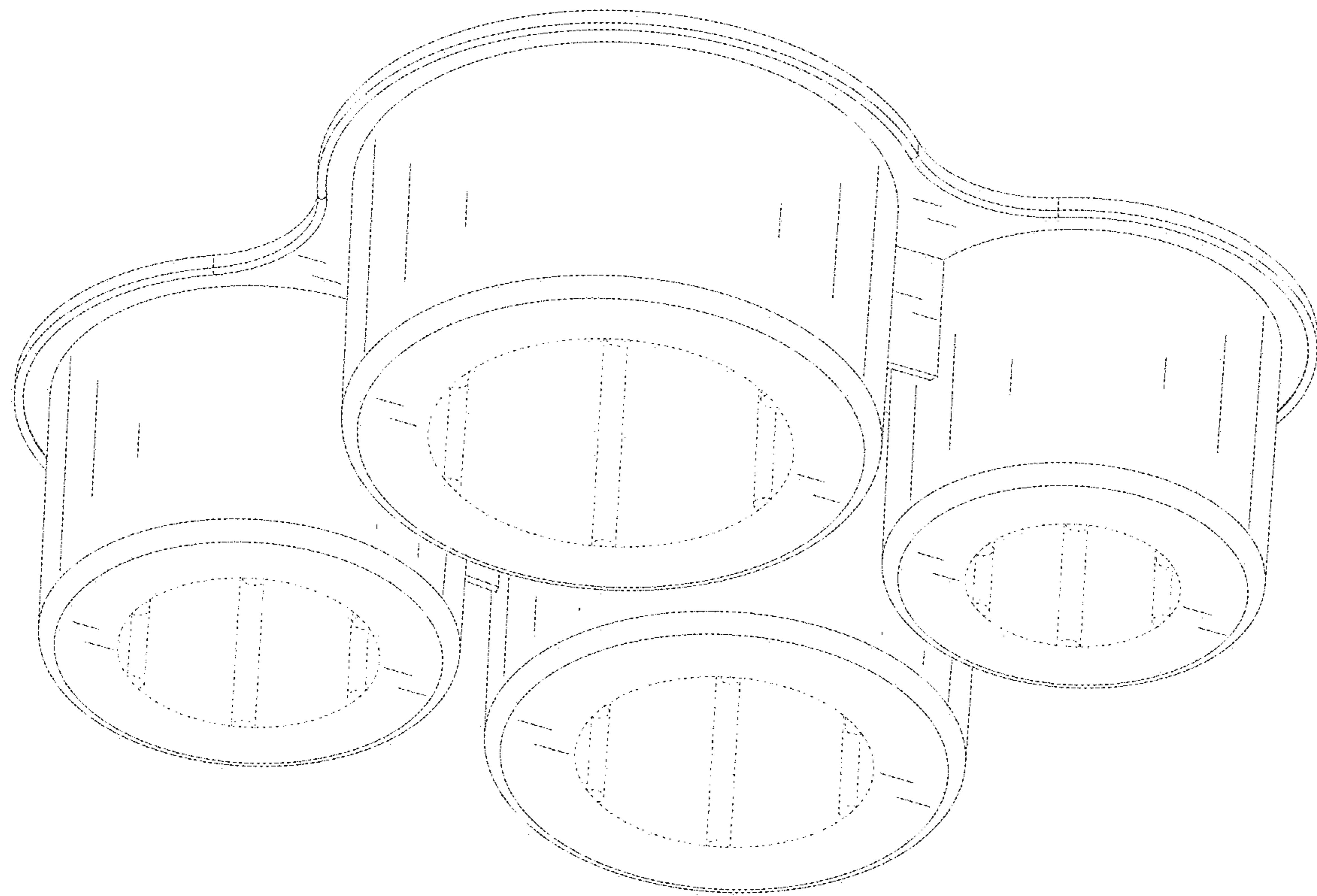


FIG.2

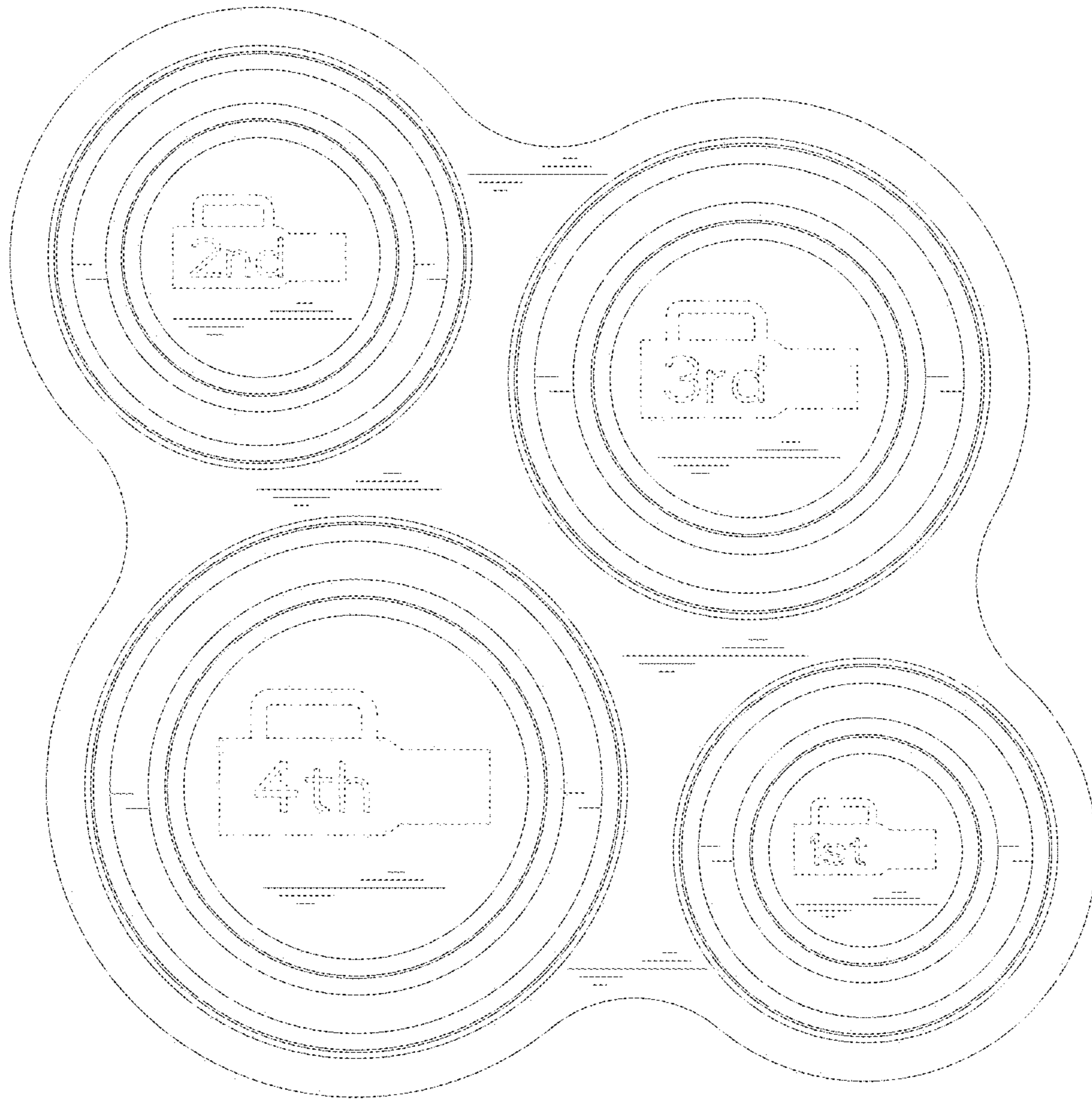


FIG.3

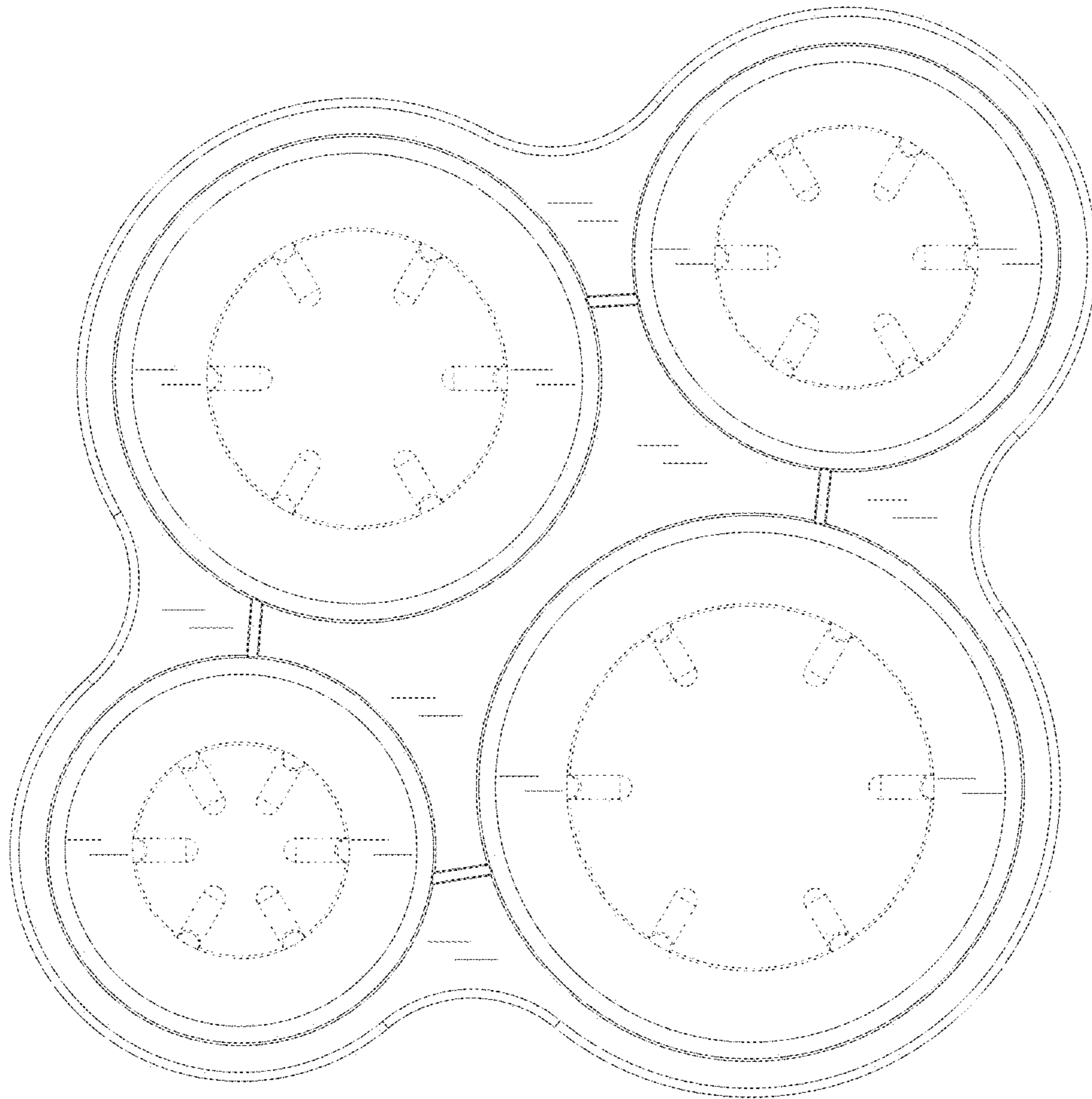


FIG.4

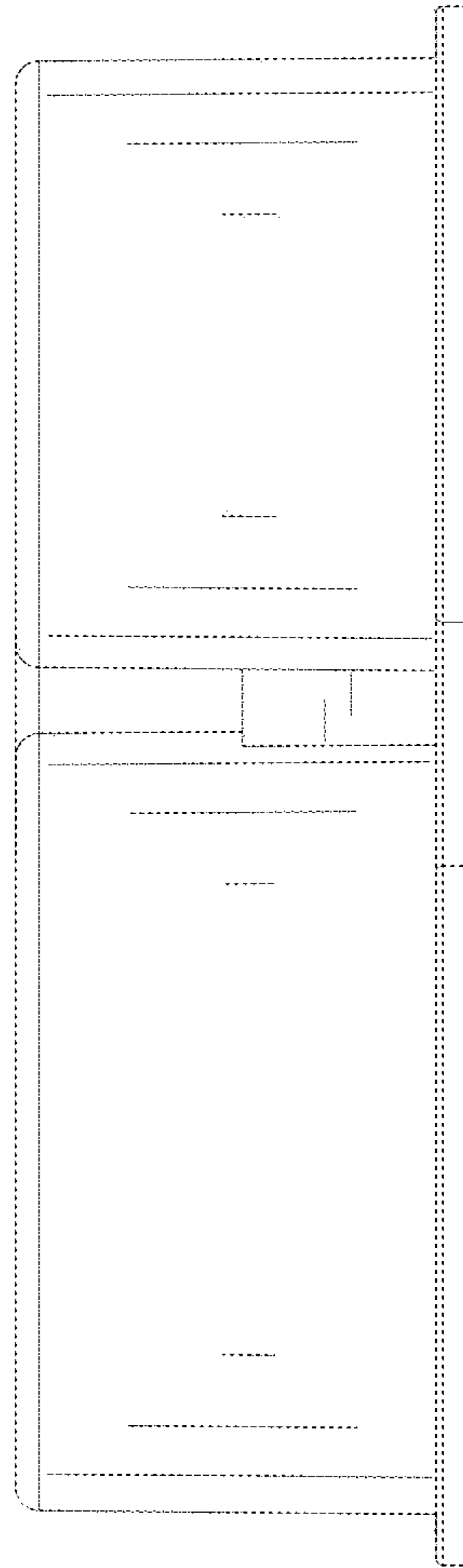


FIG. 5

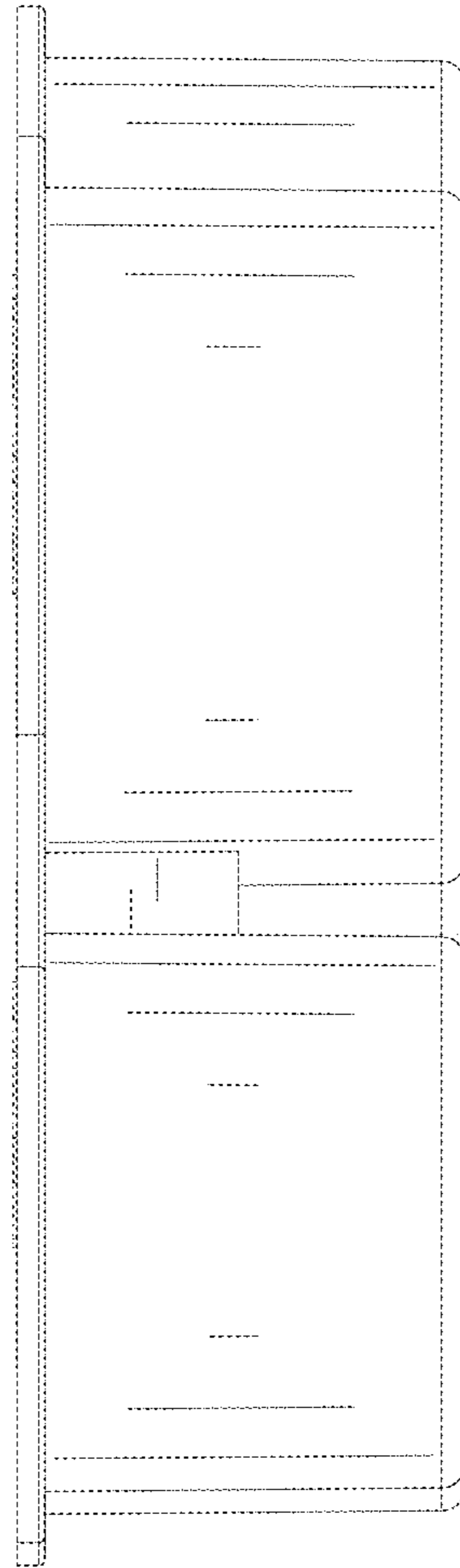


FIG.6

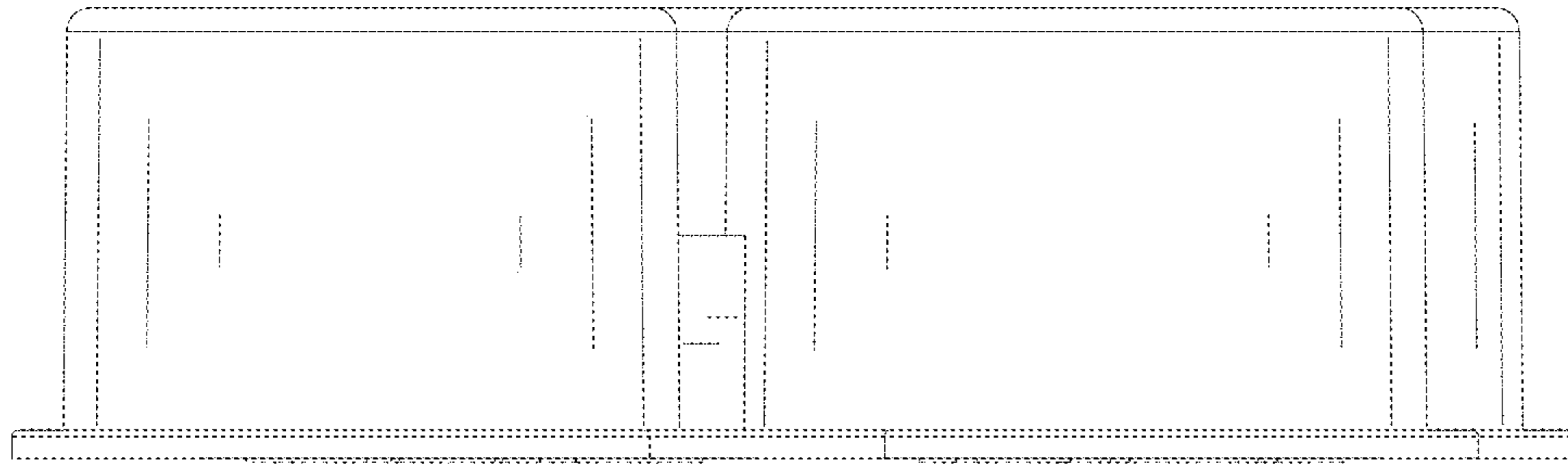


FIG. 7

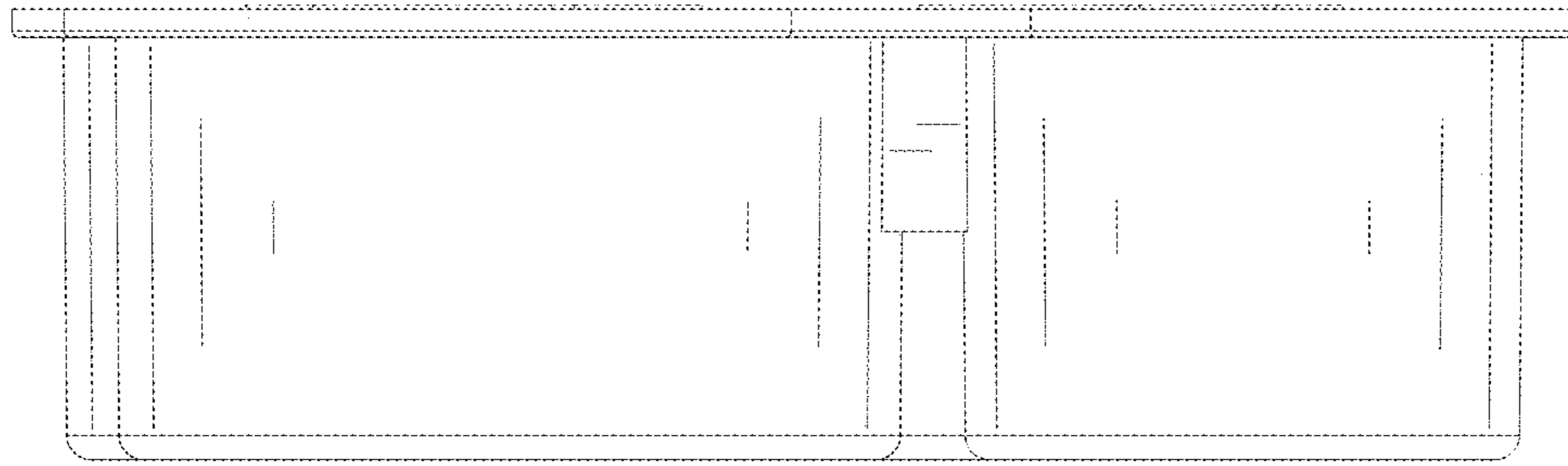


FIG. 8

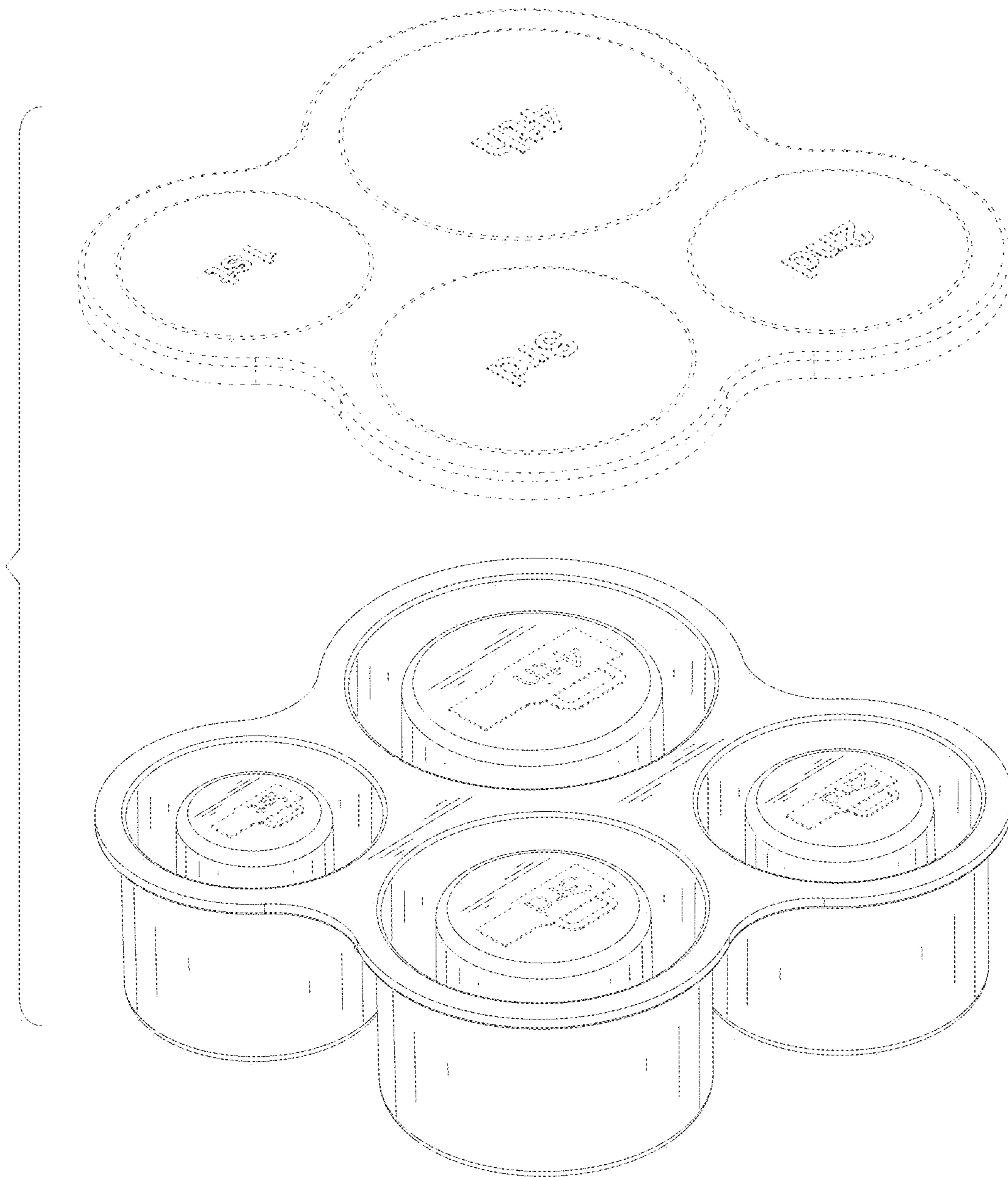


FIG. 9