



US0D1040760S

(12) **United States Design Patent**
Wu et al.

(10) **Patent No.: US D1,040,760 S**

(45) **Date of Patent: ** Sep. 3, 2024**

(54) **VIBRATION MOTOR**

(71) Applicant: **Shenzhen Fast To Buy Commerce CO., LTD.**, Shenzhen (CN)

(72) Inventors: **Lin Wu**, Shenzhen (CN); **Jianrong Wu**, Shenzhen (CN)

(73) Assignee: **Shenzhen Fast To Buy Commerce CO., LTD.**

(**) Term: **15 Years**

(21) Appl. No.: **29/888,695**

(22) Filed: **Apr. 4, 2023**

(51) **LOC (14) Cl.** **13-01**

(52) **U.S. Cl.**
USPC **D13/114**

(58) **Field of Classification Search**
USPC D13/112, 113, 114, 122, 184, 199;
D15/3, 5, 148, 149, 199
CPC .. H02K 5/04; H02K 5/10; H02K 5/22; H02K
5/148; H02K 29/14; H02K 9/227; H02K
3/522; H02K 7/061; H02P 6/06; F28F
1/20; Y10T 29/49009
See application file for complete search history.

(56) **References Cited**

U.S. PATENT DOCUMENTS

D269,014 S * 5/1983 Tumidajewicz D15/149
D464,621 S * 10/2002 Segawa D13/112

D466,132 S * 11/2002 Ricci D15/1
D603,795 S * 11/2009 Kono D13/122
7,679,240 B2 * 3/2010 Kono H02K 5/00
310/91
D619,534 S * 7/2010 Umehara D13/112
D703,238 S * 4/2014 Ueno D15/5
2019/0247888 A1 * 8/2019 Houston H02K 33/00

* cited by examiner

Primary Examiner — Derrick E Holland

(74) *Attorney, Agent, or Firm* — Jose Cherson Weissbrot

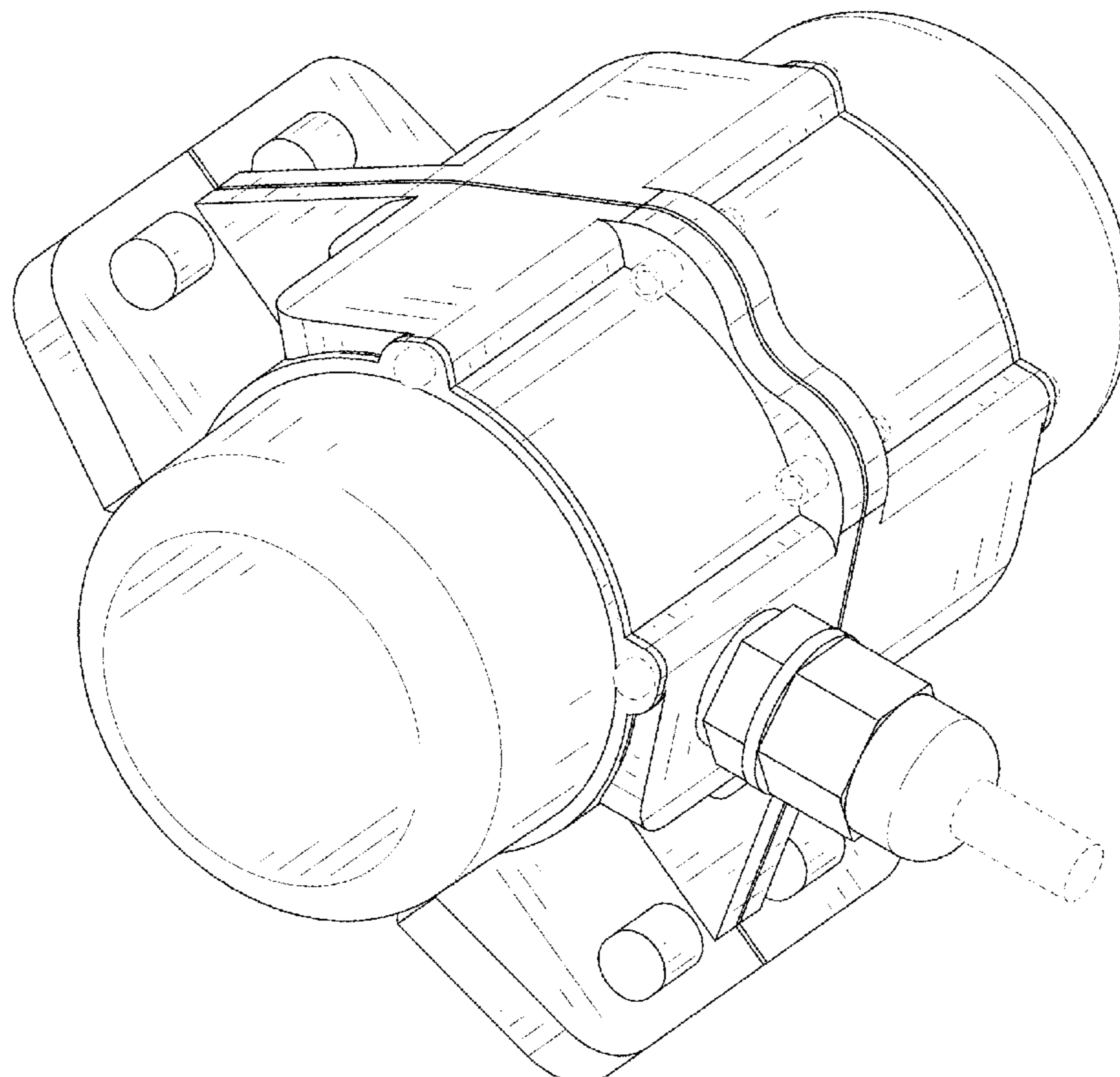
(57) **CLAIM**

The ornamental design for a vibration motor, as shown and described.

DESCRIPTION

FIG. 1 is a first perspective view of a vibration motor showing our new design;
FIG. 2 is a second perspective view thereof;
FIG. 3 is a front view thereof;
FIG. 4 is a back view thereof;
FIG. 5 is a left side view thereof;
FIG. 6 is a right side view thereof;
FIG. 7 is a top view thereof; and,
FIG. 8 is a bottom view thereof.
The broken lines shown in the drawings depict portions of the vibration motor that form no part of the claimed design.

1 Claim, 8 Drawing Sheets



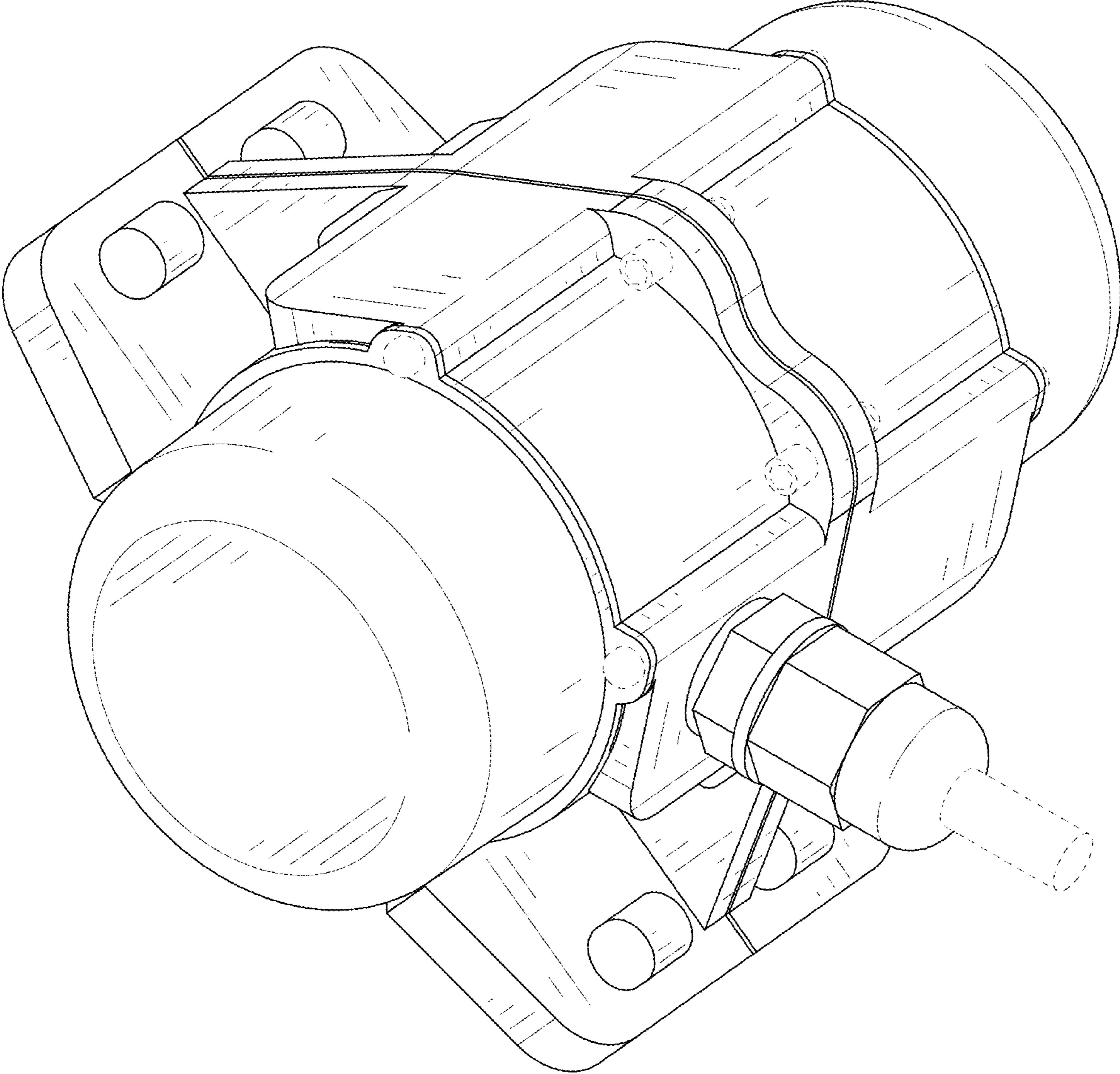


FIG. 1

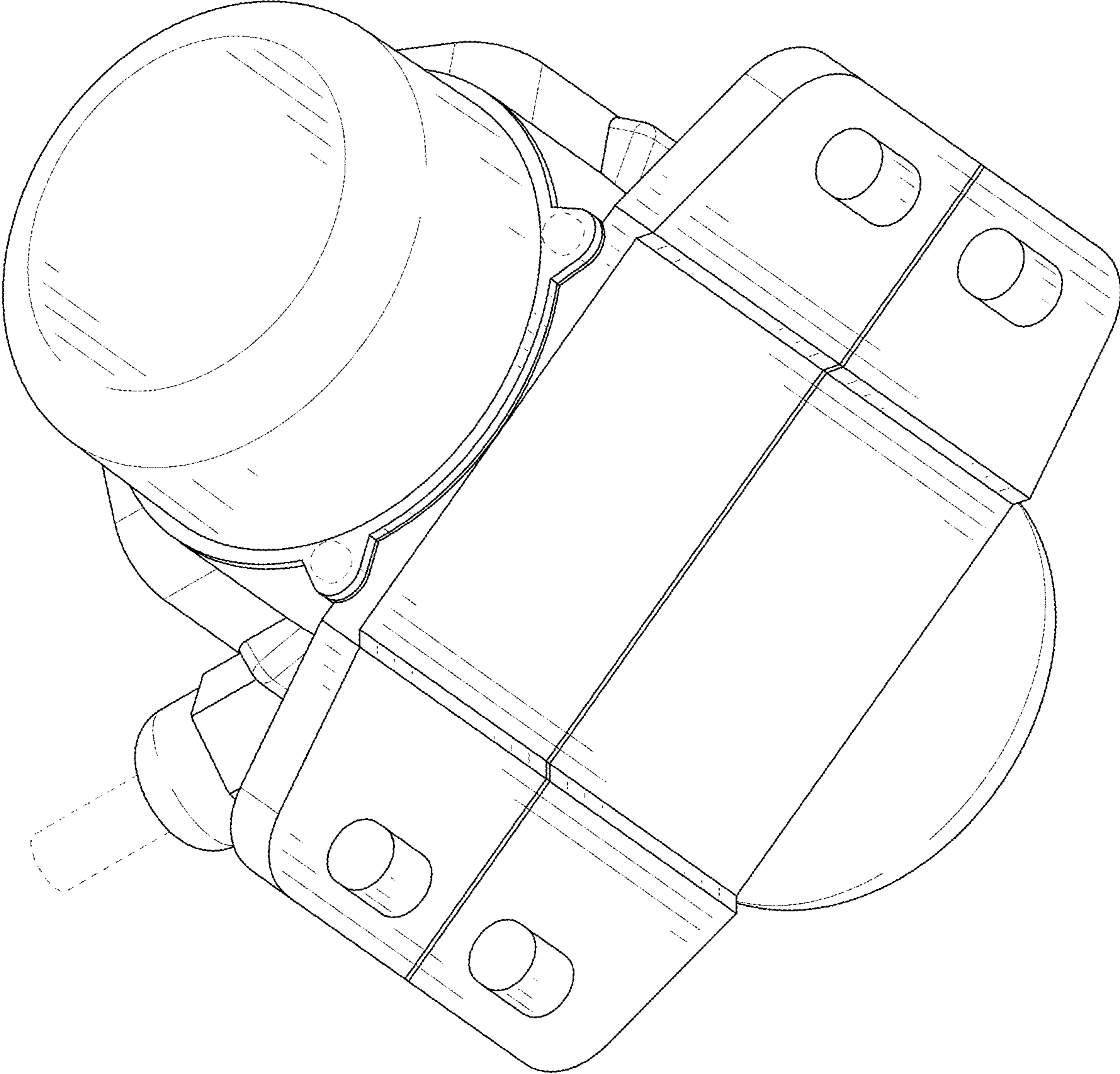


FIG. 2

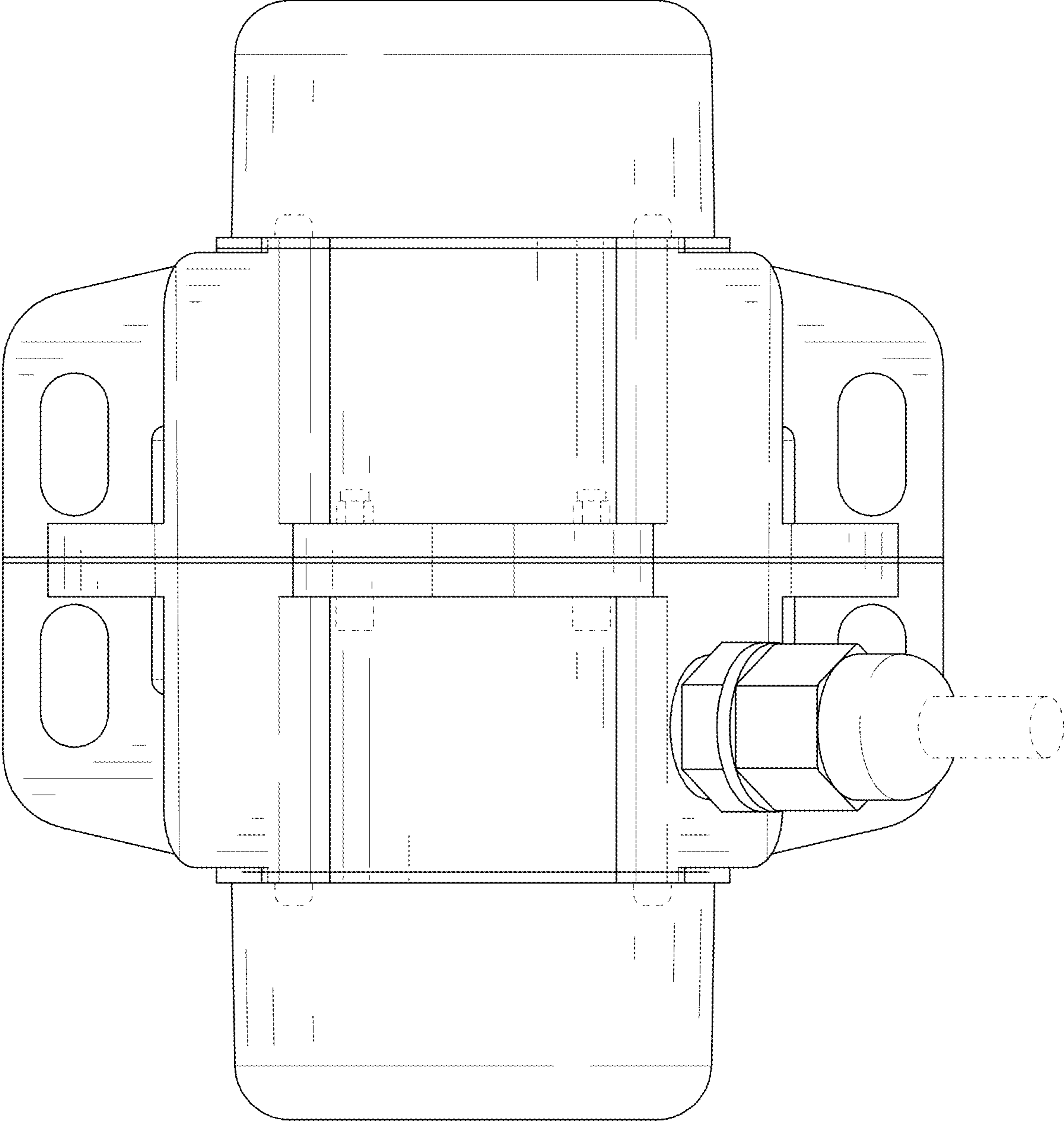


FIG. 3

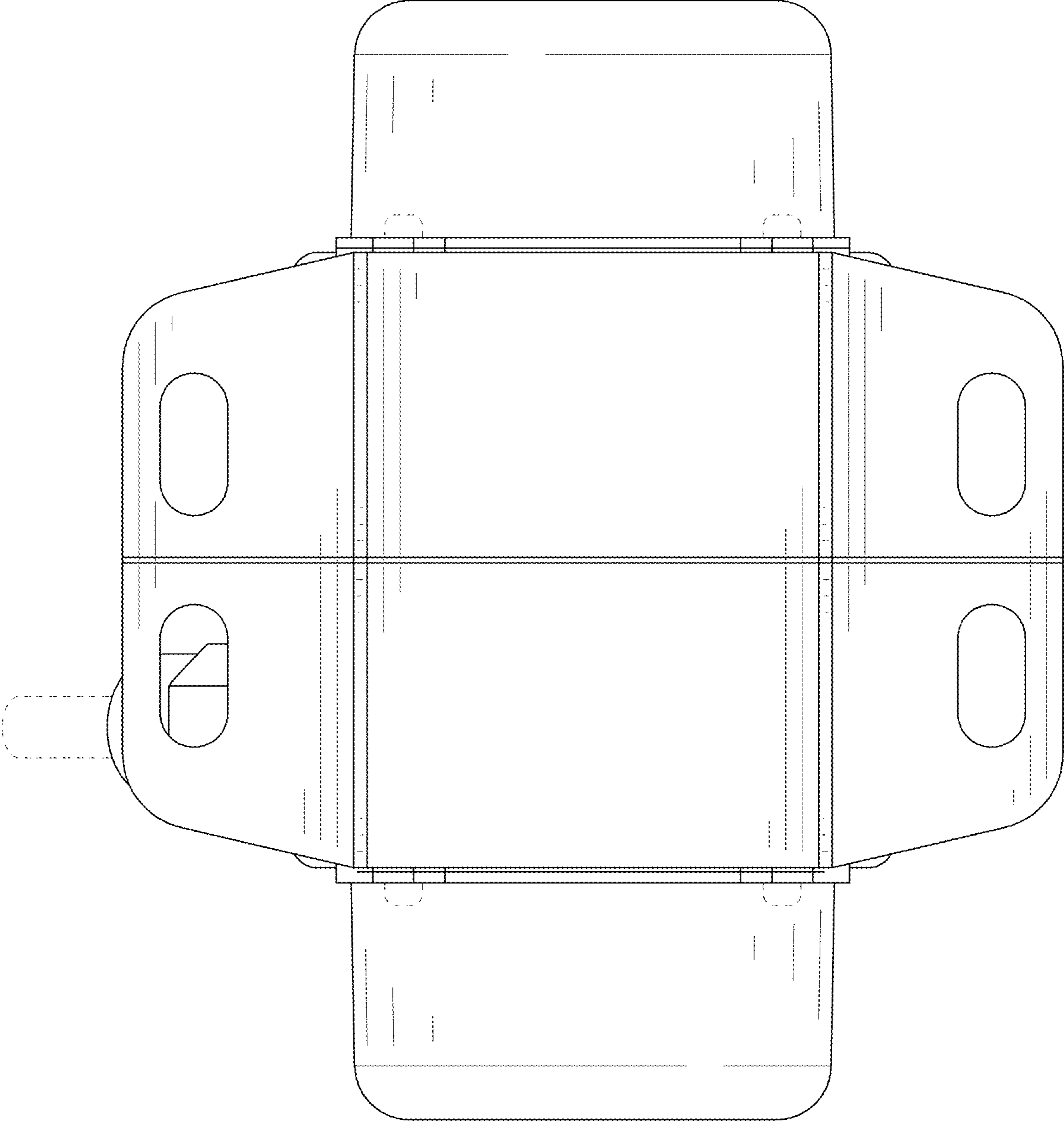


FIG. 4

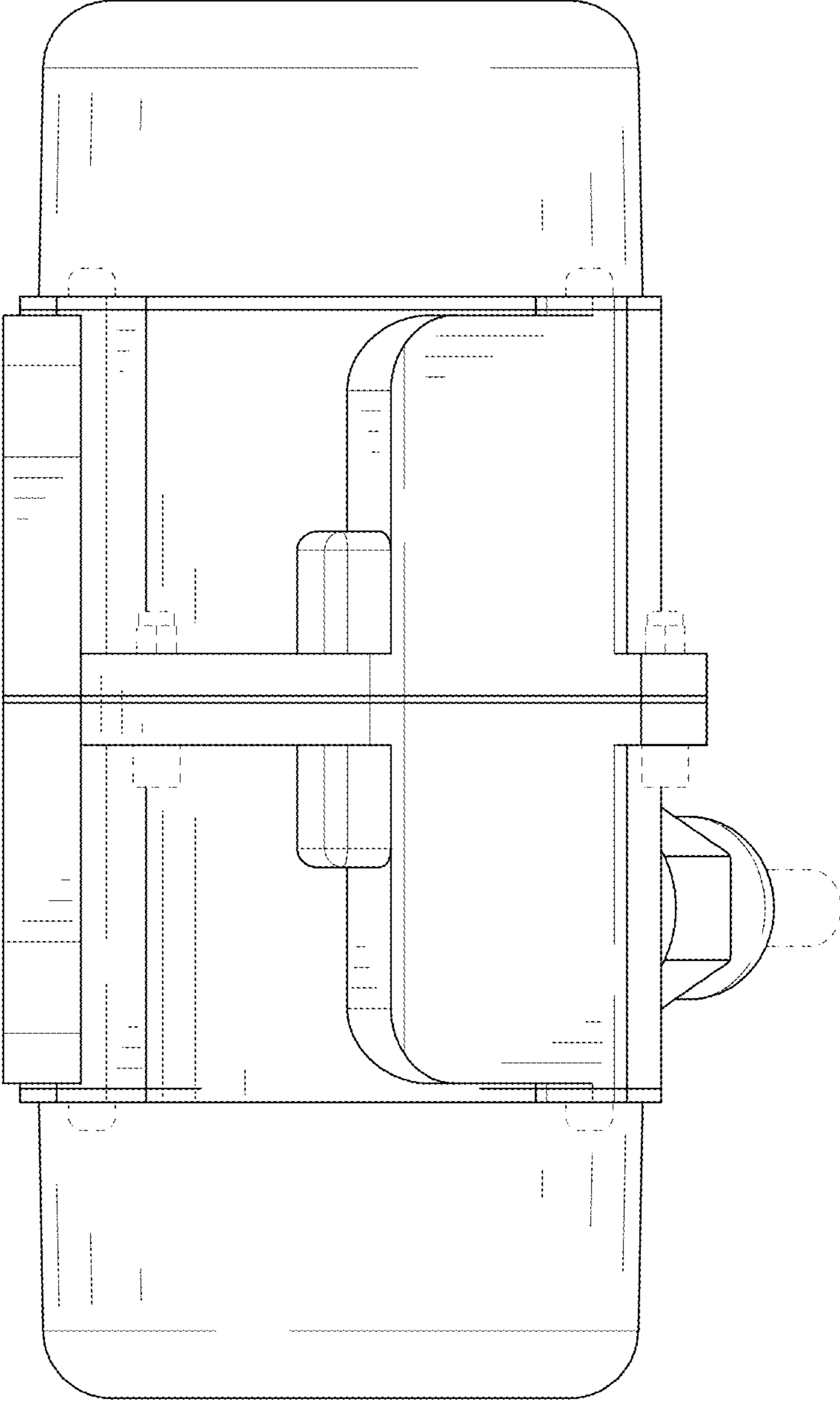


FIG. 5

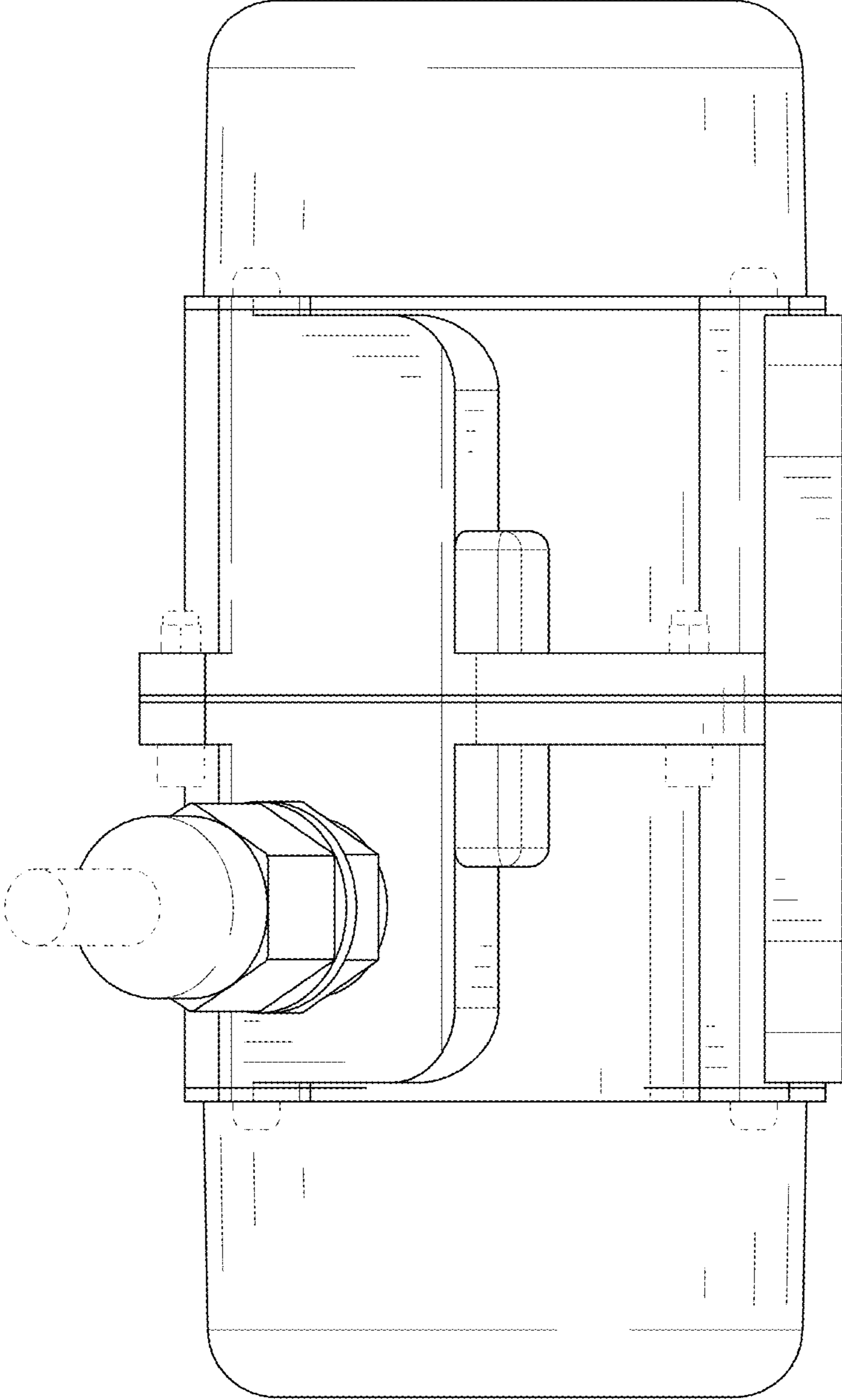


FIG. 6

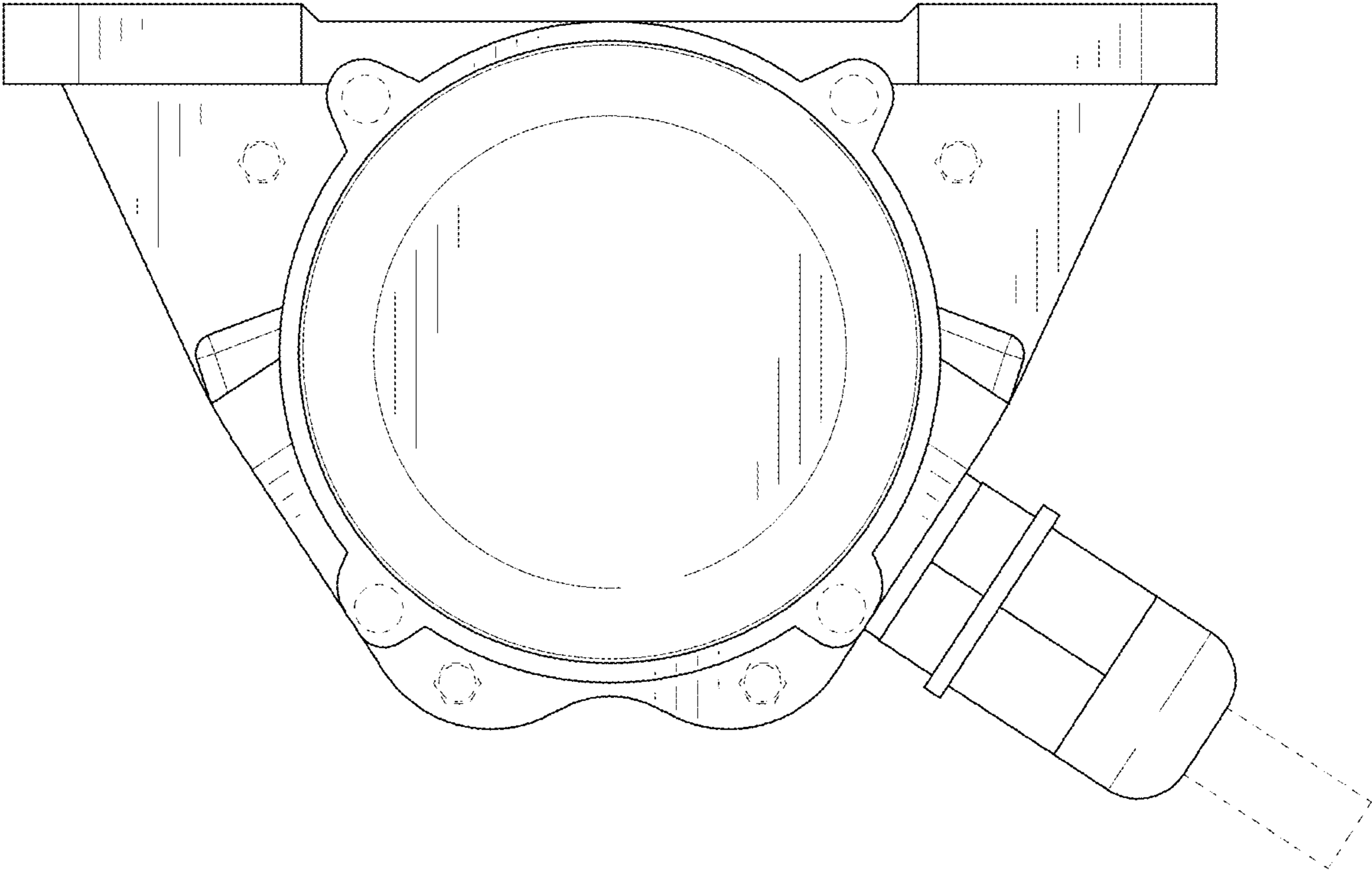


FIG. 7

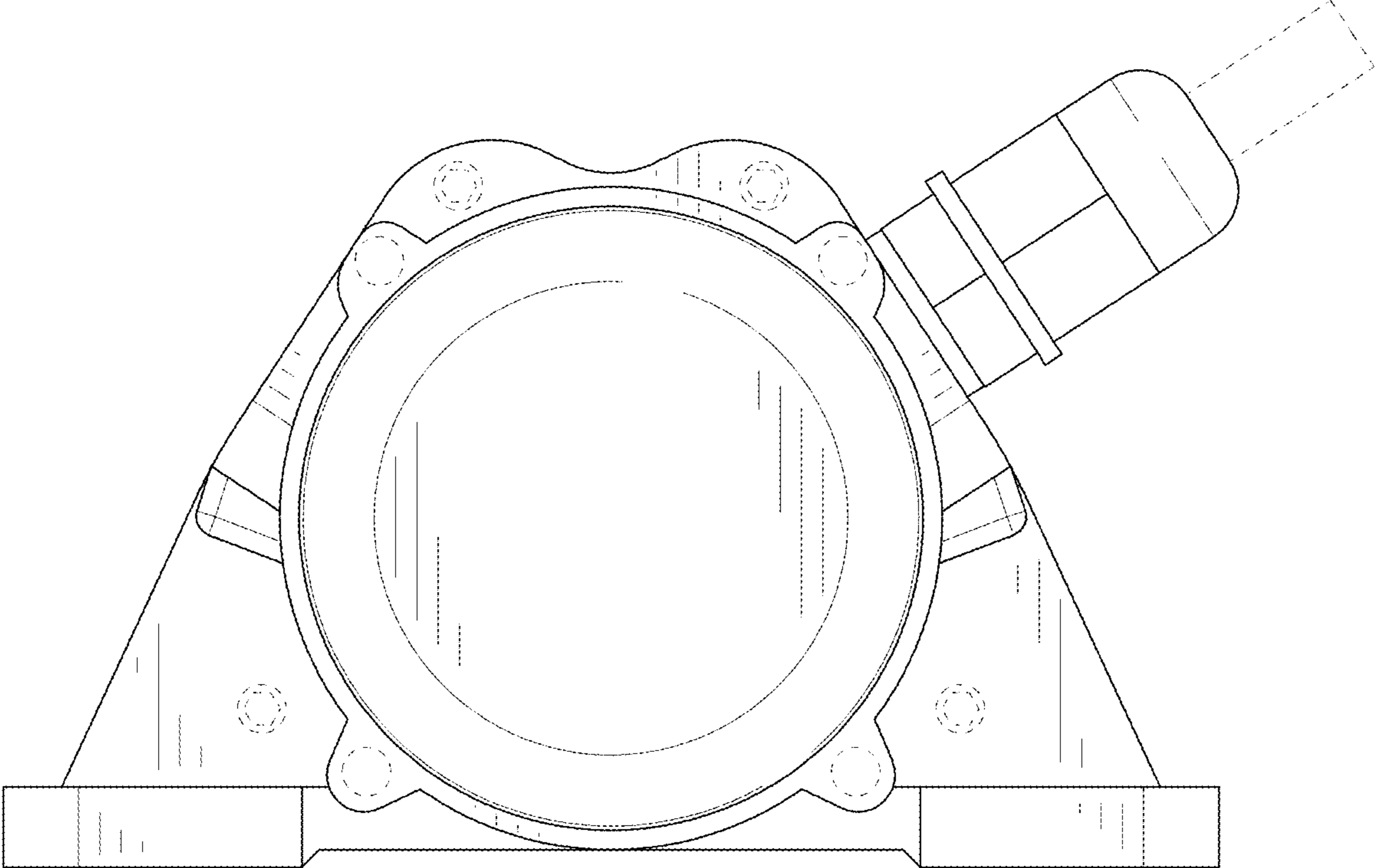


FIG. 8