



US0D1040735S

(12) **United States Design Patent**  
**Garza et al.**

(10) **Patent No.: US D1,040,735 S**

(45) **Date of Patent: \*\* \*Sep. 3, 2024**

(54) **RAIL FOR SOLAR MODULES**

(71) Applicants: **David G. Garza**, Plano, TX (US);  
**Horacio Duhart**, Plano, TX (US)

(72) Inventors: **David G. Garza**, Plano, TX (US);  
**Horacio Duhart**, Plano, TX (US)

(\*) Notice: This patent is subject to a terminal disclaimer.

(\*\*) Term: **15 Years**

(21) Appl. No.: **29/827,678**

(22) Filed: **Feb. 22, 2022**

(51) **LOC (14) Cl.** ..... **13-02**

(52) **U.S. Cl.**  
USPC ..... **D13/102**

(58) **Field of Classification Search**  
USPC .... D13/102, 118, 184, 199; D8/72, 74, 349,  
D8/354, 355; D25/60  
CPC ..... F24J 2/38; F24J 2/40; F24J 2/54; F24J  
2/405; F24J 2/4638; F24J 2002/385;  
H01L 31/042; H01L 31/043; H01L  
31/052; H01L 31/0525; Y02E 10/47;  
Y02E 10/50; H02S 20/23; F16B 2/065  
See application file for complete search history.

(56) **References Cited**

**U.S. PATENT DOCUMENTS**

D495,114 S \* 8/2004 Washington ..... D8/381  
D547,262 S \* 7/2007 Ullman ..... D13/102

D554,486 S \* 11/2007 Emblin ..... D8/382  
D732,698 S \* 6/2015 Meng ..... D25/61  
9,638,223 B2 \* 5/2017 Redel ..... F24S 25/37  
9,660,569 B2 \* 5/2017 Zuritis ..... H02S 30/10  
D853,954 S \* 7/2019 McPheeters ..... D13/102  
D909,180 S \* 2/2021 Kovacs ..... D8/349  
2011/0302857 A1 \* 12/2011 McClellan ..... F24S 40/44  
52/173.3

\* cited by examiner

*Primary Examiner* — Derrick E Holland  
(74) *Attorney, Agent, or Firm* — Thrasher Associates,  
LLC

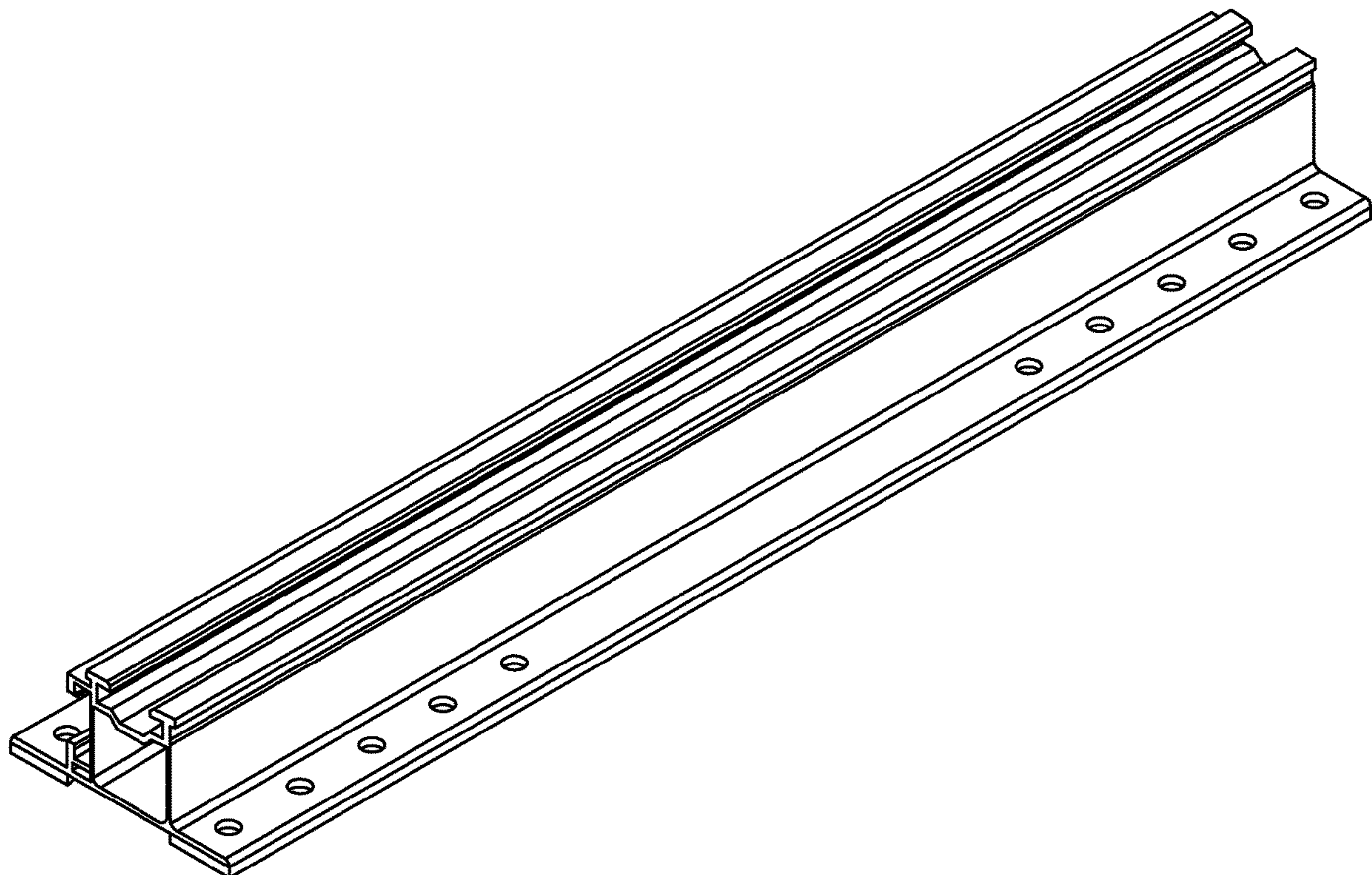
(57) **CLAIM**

The ornamental design for a rail for solar modules, as shown and described.

**DESCRIPTION**

FIG. 1 is a perspective view of a rail for solar modules;  
FIG. 2 is an exploded view thereof;  
FIG. 3 is a front view thereof;  
FIG. 4 is a rear view thereof;  
FIG. 5 is a top view thereof;  
FIG. 6 is a bottom view thereof;  
FIG. 7 is a left-side view thereof; and,  
FIG. 8 is a right-side view thereof.

**1 Claim, 8 Drawing Sheets**



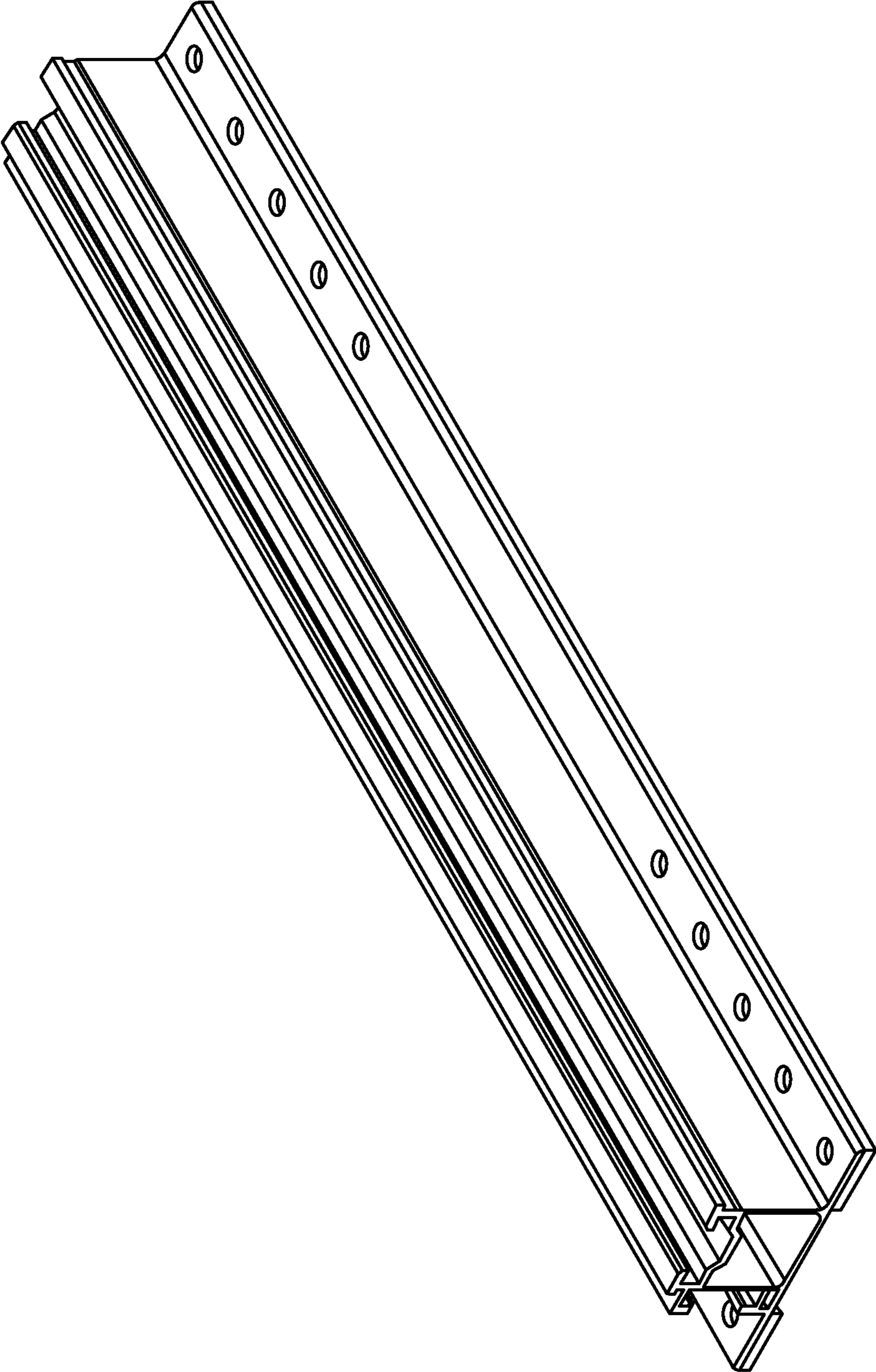


FIGURE 1

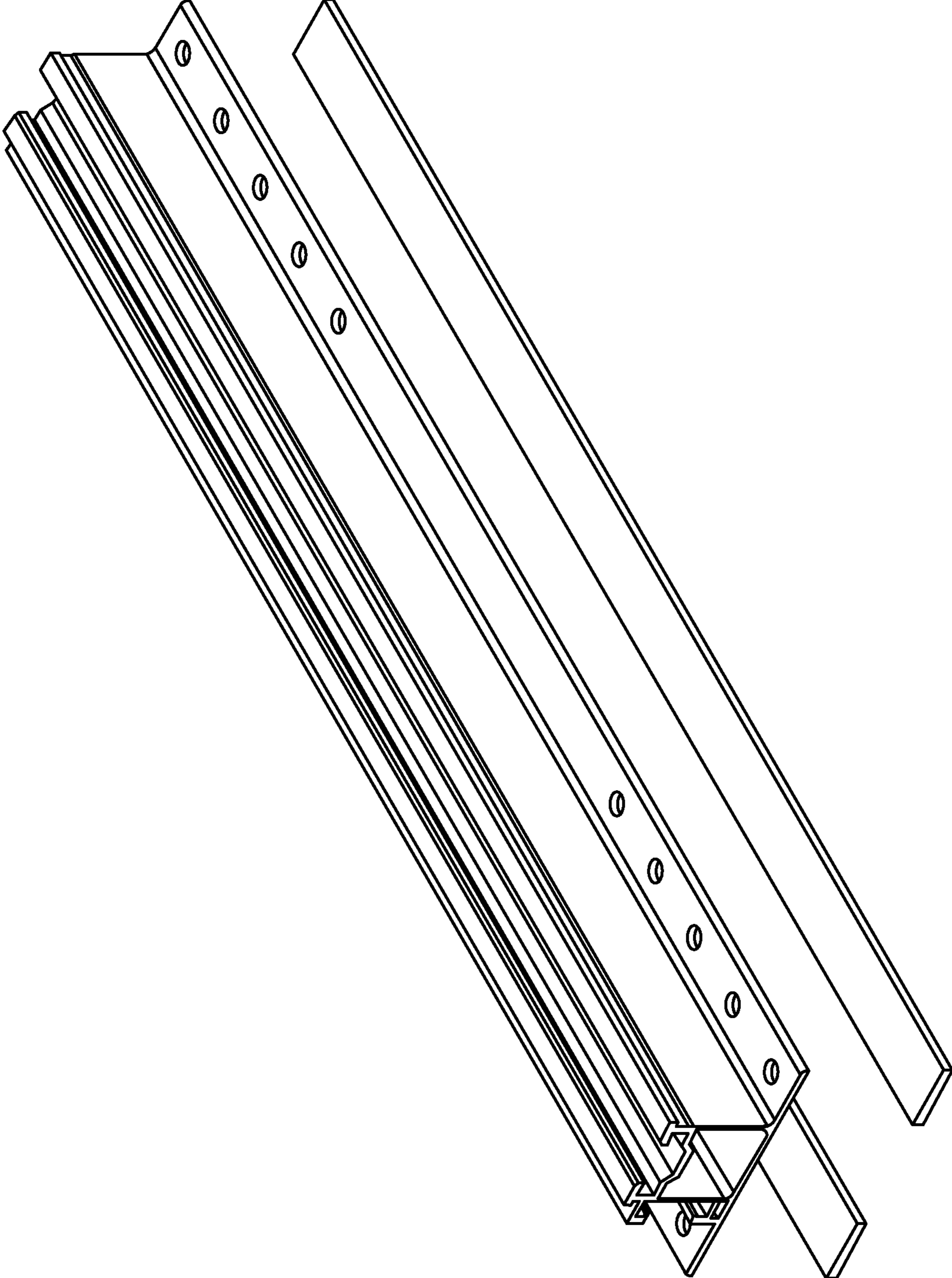


FIGURE 2

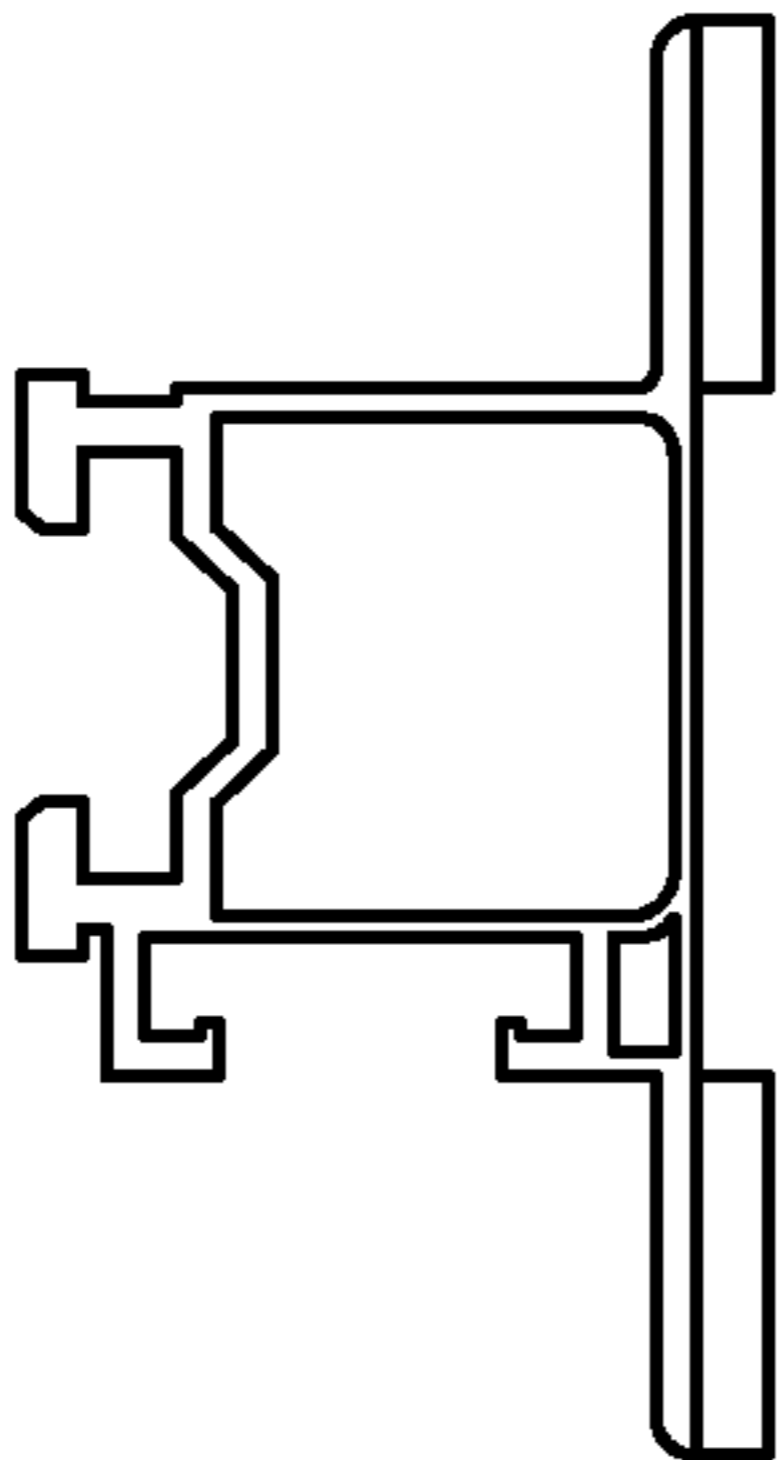


FIGURE 3

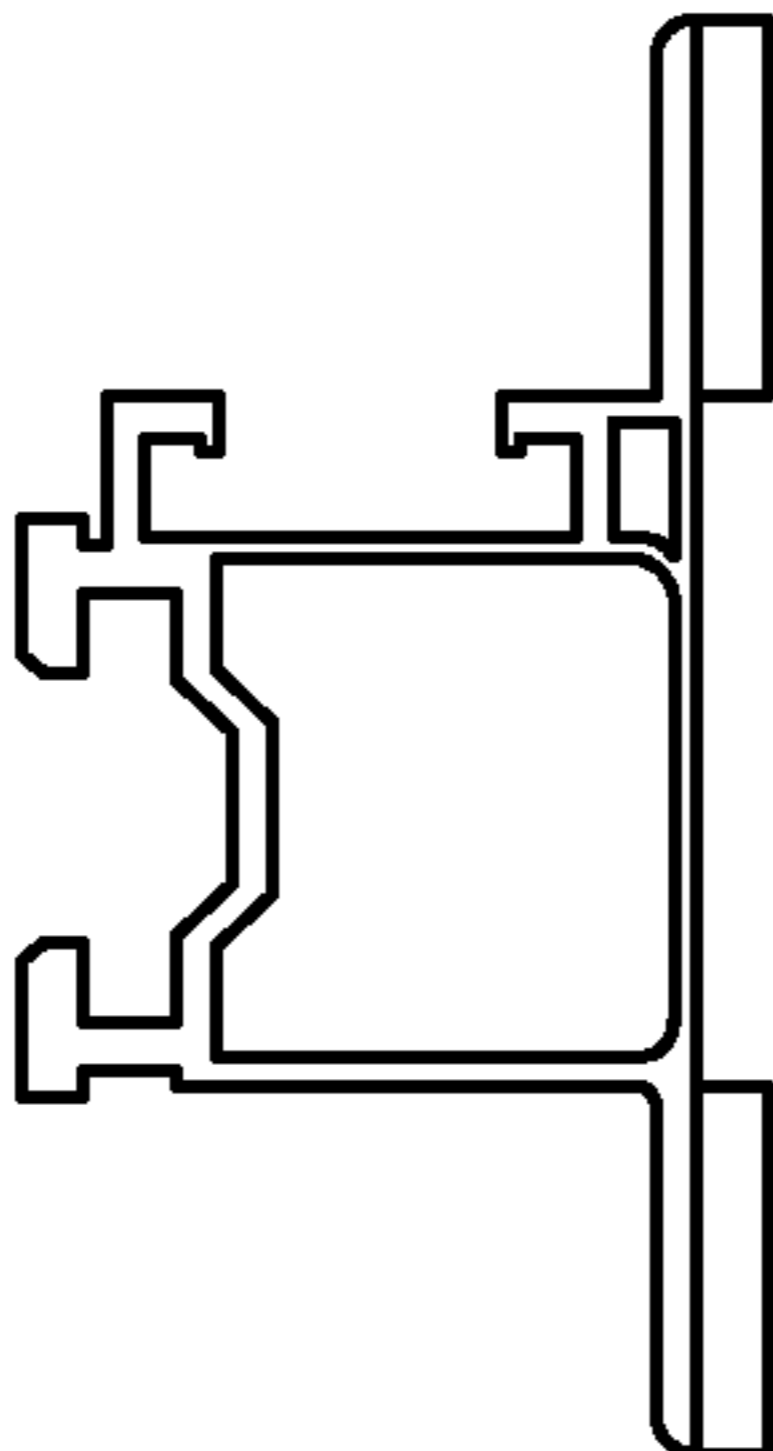


FIGURE 4

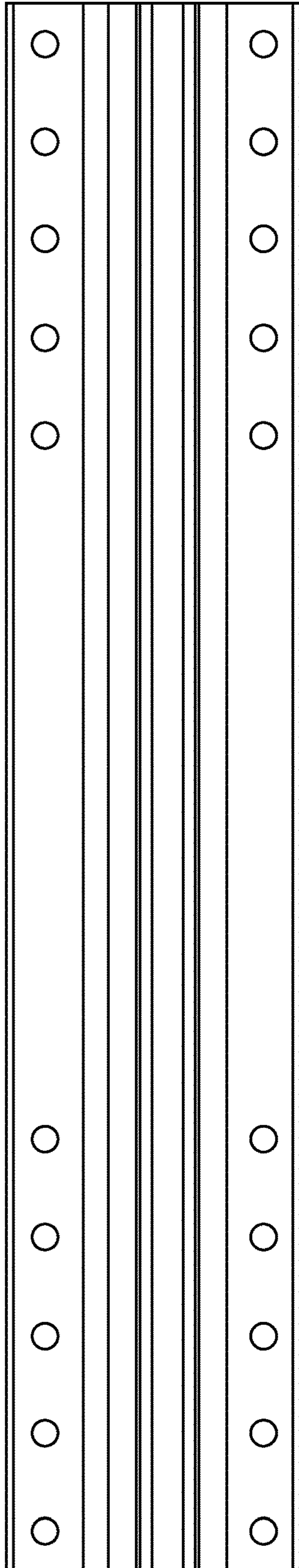
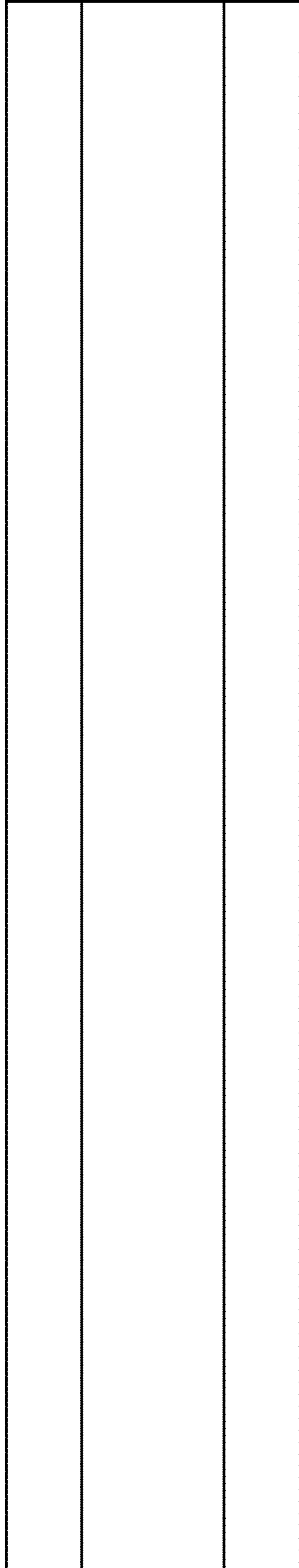


FIGURE 5



**FIGURE 6**

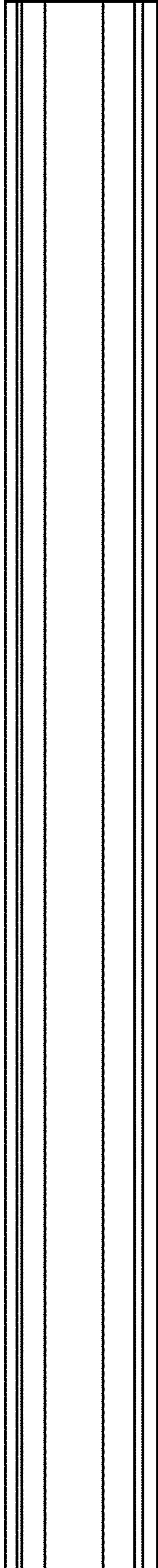


FIGURE 7



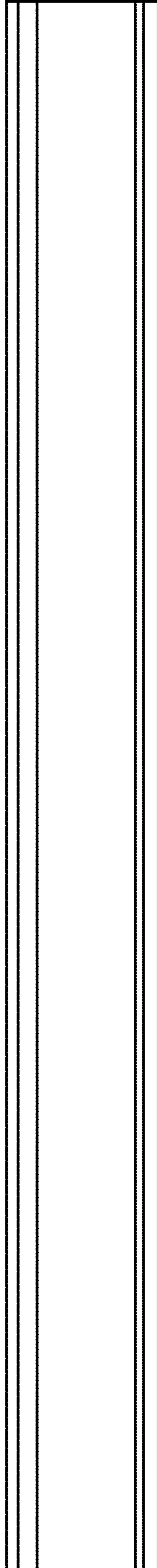


FIGURE 8