



US0D1040729S

(12) **United States Design Patent** (10) **Patent No.:** **US D1,040,729 S**
Voss et al. (45) **Date of Patent:** **** Sep. 3, 2024**

(54) **SEALING ELEMENT FOR A VEHICLE CANOPY**

11,167,629 B2 11/2021 Choi et al.
2021/0101459 A1 4/2021 Mihal et al.
2023/0108473 A1* 4/2023 Voss B60J 7/1607
49/475.1

(71) Applicant: **Rock Solid Industries International (Pty) Ltd**, Pietermaritzburgh (ZA)

(Continued)

(72) Inventors: **Michael Voss**, Aledo, TX (US);
Japheth Dulloo, Pietermaritzburgh (ZA); **Jozua Hermanus Joubert**, Fort Worth, TX (US)

FOREIGN PATENT DOCUMENTS

WO 2012/118352 A2 9/2012

(73) Assignee: **Rock Solid Industries International (Pty) Ltd**, Pietermaritzburgh (ZA)

OTHER PUBLICATIONS

“13.5 Foot 1100 Series Cab Door Weatherstrip Seal for Peterbilt 359, 379 Replaces 20-10985-644, R60-6001-650” amazon.com, post Published Dec. 15, 2020. Retrieved Nov. 24, 2023. Available online at URL:https://www.amazon.com/TSP-Weatherstrip-Peterbilt-20-10985-644-R60-6001-650/dp/B08QR7VY4V/ref=(Year: 2020).*

(Continued)

(**) Term: **15 Years**

Primary Examiner — Christian P. McLean
Assistant Examiner — Jessica Lynn Devilbiss
(74) *Attorney, Agent, or Firm* — K&L Gates LLP; Nolan R. Hubbard

(21) Appl. No.: **29/855,345**

(22) Filed: **Sep. 30, 2022**

(51) **LOC (14) Cl.** **12-16**

(52) **U.S. Cl.**
USPC **D12/401**

(58) **Field of Classification Search**
USPC D12/401, 96, 98, 99, 414.1, 415, 403, D12/404, 409, 410, 1-4, 16.1, 319-345, D12/400, 159, 160, 196, 203; D21/424, D21/433, 599
CPC E04B 1/68; E04B 1/94
See application file for complete search history.

(57) **CLAIM**

The ornamental design for a sealing element for a vehicle canopy, as shown and described.

DESCRIPTION

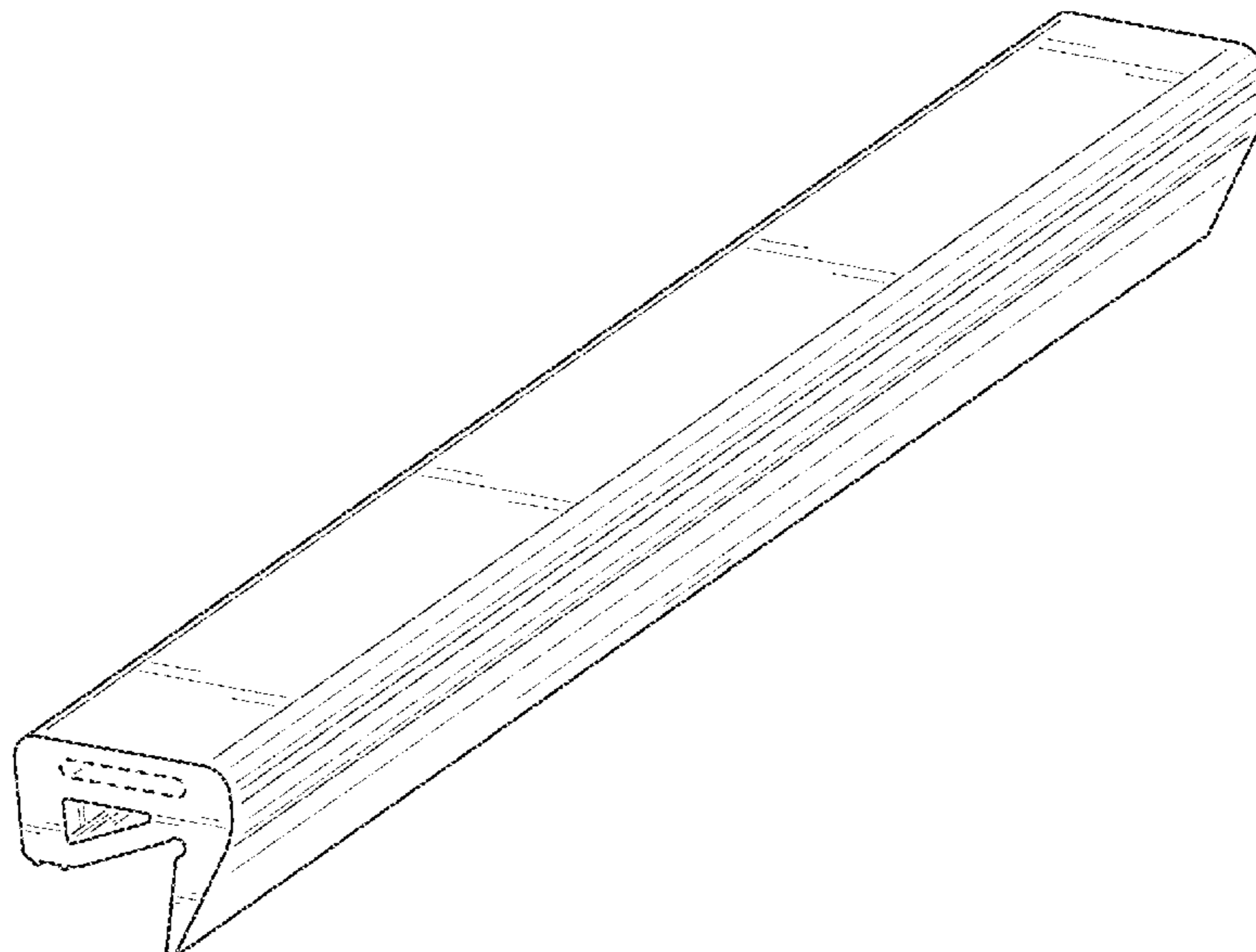
FIG. 1 illustrates a top perspective view of a sealing element for a vehicle canopy according to the present disclosure; FIG. 2 illustrates a bottom perspective view thereof; FIG. 3 illustrates a left side view thereof; FIG. 4 illustrates a right side view thereof; FIG. 5 illustrates a rear side view thereof; FIG. 6 illustrates a front side view thereof; FIG. 7 illustrates a top side view thereof; and, FIG. 8 illustrates a bottom side view thereof. In the drawings, any broken lines illustrate portions of the sealing element for a vehicle canopy that form no part of the claimed design.

(56) **References Cited**

U.S. PATENT DOCUMENTS

6,231,117 B1 5/2001 Nagahashi
7,854,434 B2* 12/2010 Heiman F16J 15/121
277/651
7,975,870 B2* 7/2011 Laule B60K 15/077
220/582
9,615,476 B2* 4/2017 Rayner G06F 1/1628
10,189,340 B2 1/2019 Schmeichel et al.

1 Claim, 5 Drawing Sheets



(56)

References Cited

U.S. PATENT DOCUMENTS

2023/0358034 A1 * 11/2023 Nogueira Divino E04B 1/947

OTHER PUBLICATIONS

“: ESI Front Rail Seal XL 5½' EPDM Rubber for Truck Caps—Fills a Height Gap from .488" to 1"” amazon.com, post Published May 12, 2017. Retrieved Nov. 24, 2023. Available online at URL:https://www.amazon.com/ESI-Front-Rail-Seal-Rubber/dp/B07147Y43J/ref=sr_1_19?crid=BEQQ2BMNNZRM&keywords=SEALIN (Year: 2017).*

* cited by examiner

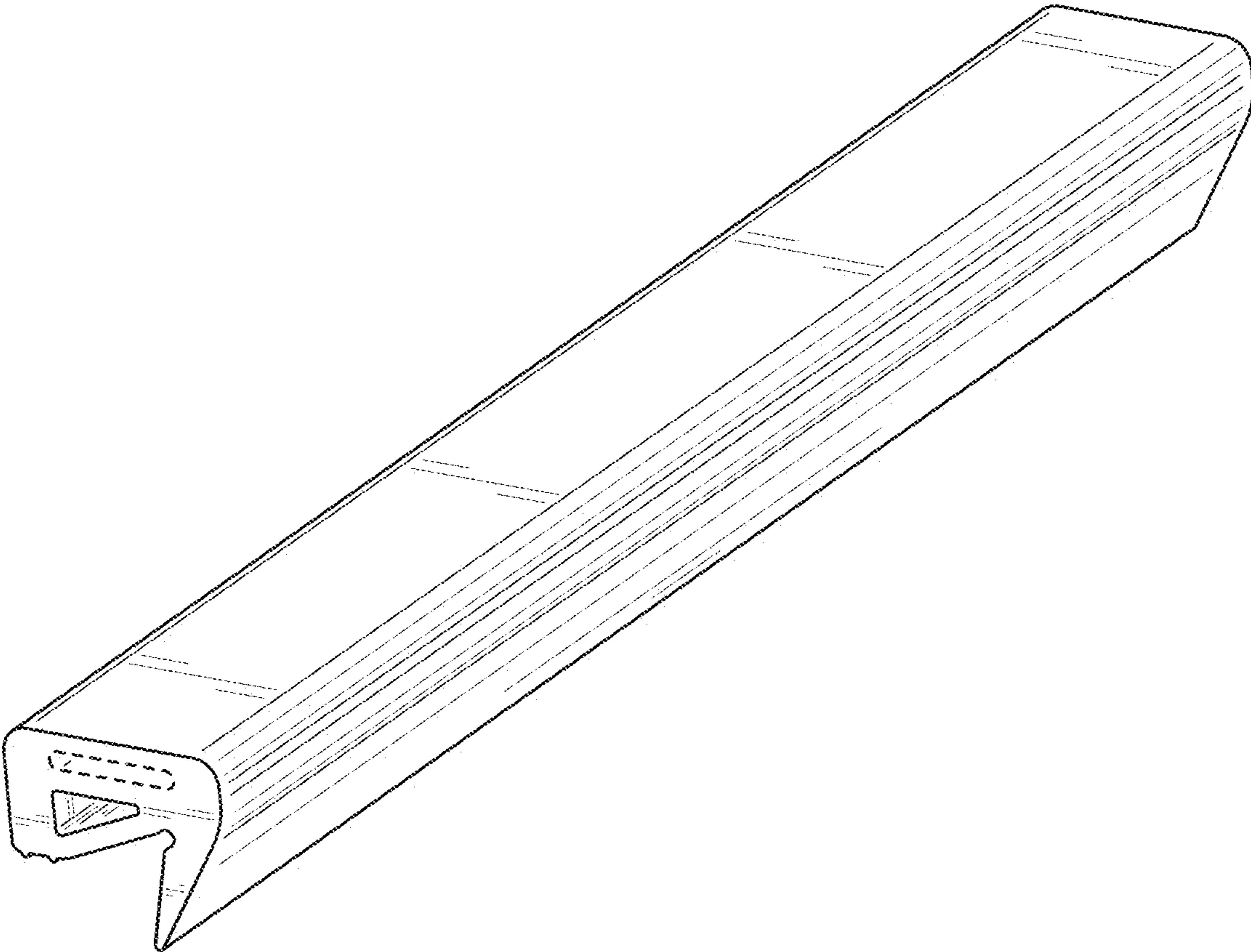


FIG. 1

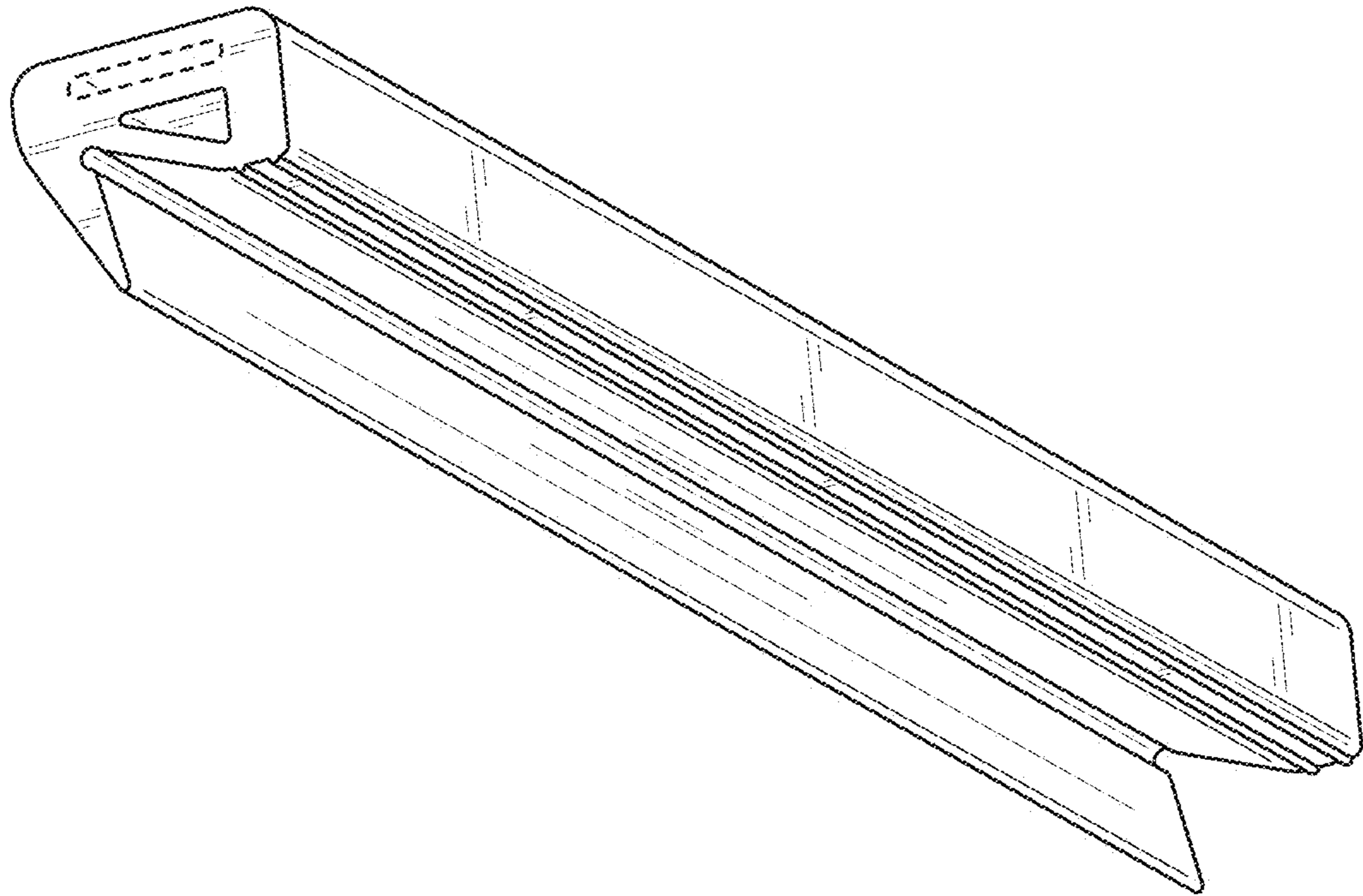


FIG. 2

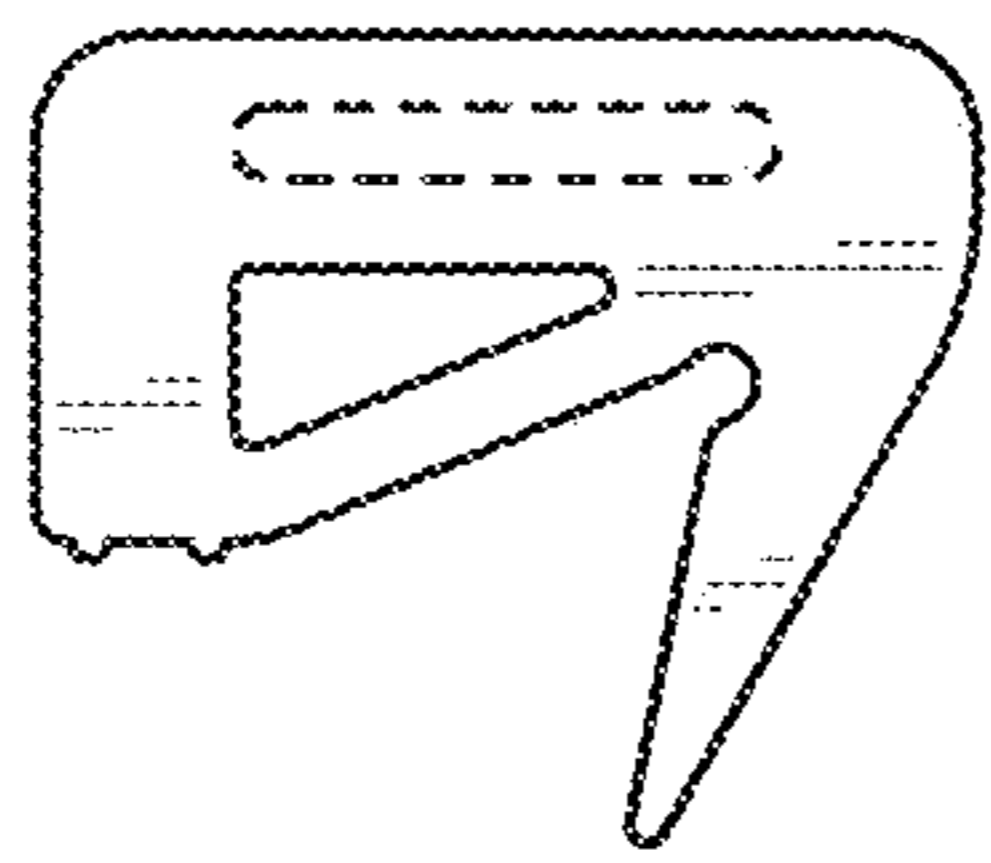


FIG. 3

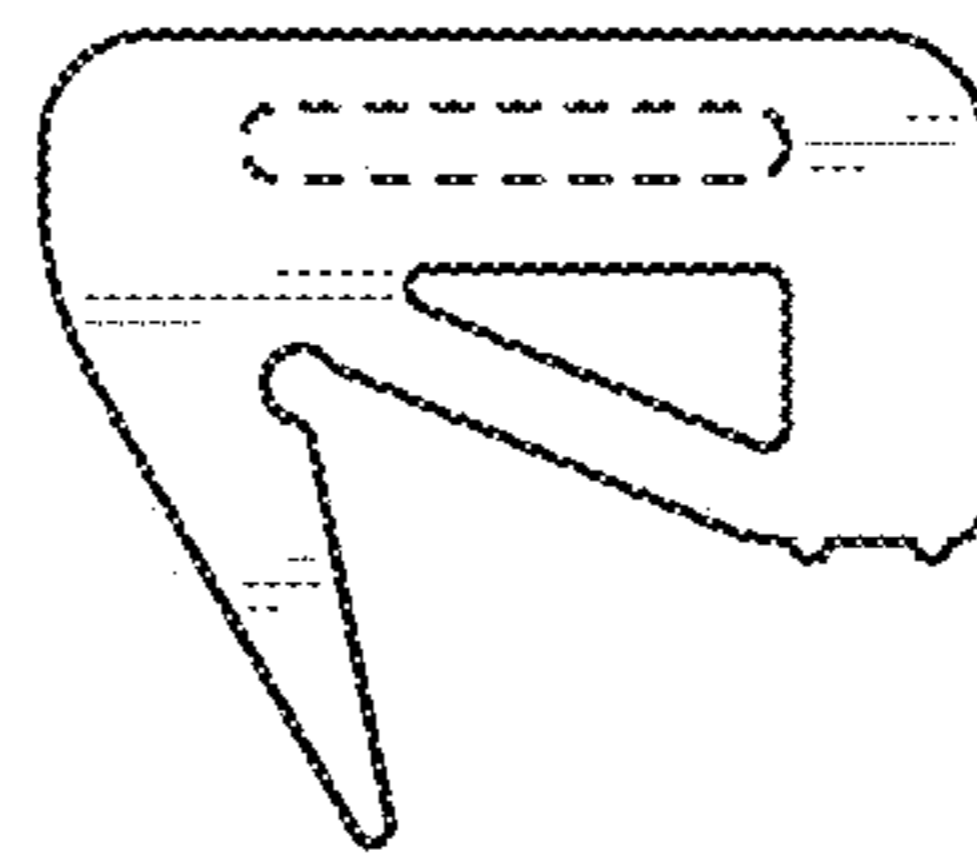


FIG. 4

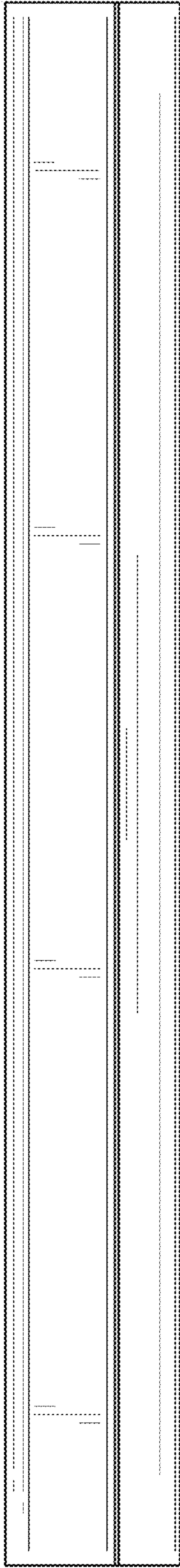


FIG. 5

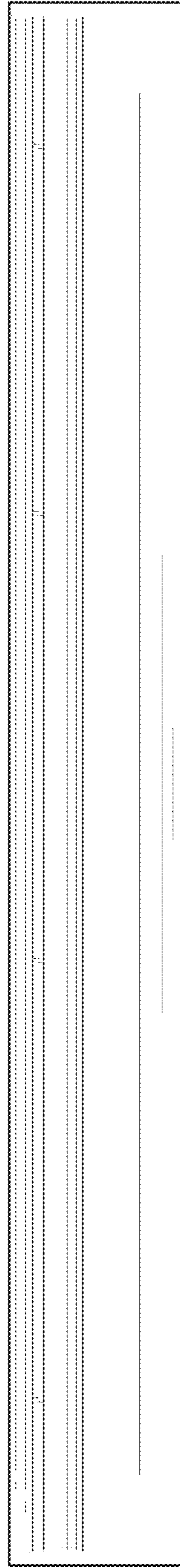


FIG. 6

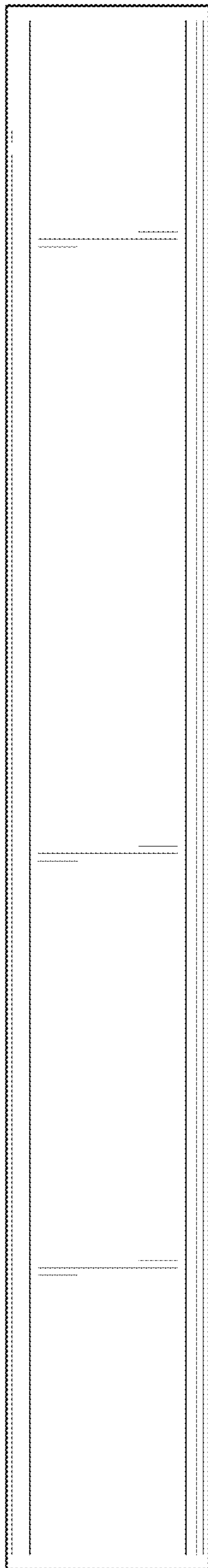


FIG. 7

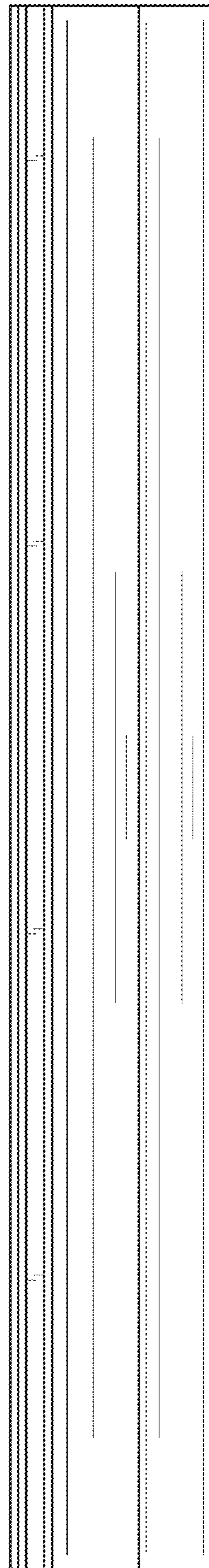


FIG. 8