



US0D1040728S

(12) **United States Design Patent** (10) **Patent No.:** **US D1,040,728 S**
Melone et al. (45) **Date of Patent:** **** *Sep. 3, 2024**

(54) **HELICOPTER**

FOREIGN PATENT DOCUMENTS

(71) Applicant: **LEONARDO S.P.A.**, Rome (IT)

EP 2409917 A1 1/2012
EP 2878536 A1 6/2015

(72) Inventors: **Stefano Melone**, Samarate (IT);
Gabriele Campanardi, Samarate (IT);
Luca Medici, Samarate (IT);
Alessandro Scandroglio, Samarate (IT);
Riccardo Bianco Mengotti, Samarate (IT)

(Continued)

OTHER PUBLICATIONS

(73) Assignee: **LEONARDO S.P.A.**, Rome (IT)

First helicopter service contract for U.S. offshore wind by Kirk Moore. dated Apr. 5, 2022. found online [Aug. 10, 2022] <https://www.workboat.com/wind/first-helicopter-service-contract-for-u-s-offshore-wind>.*

(Continued)

(*) Notice: This patent is subject to a terminal disclaimer.

Primary Examiner — Marissa J Cash

(74) *Attorney, Agent, or Firm* — Leason Ellis LLP

(**) Term: **15 Years**

(21) Appl. No.: **35/512,937**

(57) **CLAIM**

(22) Filed: **May 18, 2021**

The ornamental design for a helicopter, as shown and described.

(80) **Hague Agreement Data**

Int. Filing Date: **May 18, 2021**

Int. Reg. No.: **DM/214711**

Int. Reg. Date: **May 18, 2021**

Int. Reg. Pub. Date: **Nov. 19, 2021**

DESCRIPTION

(51) **LOC (14) Cl.** **12-07**

(52) **U.S. Cl.**
USPC **D12/326**

(58) **Field of Classification Search**
USPC D12/1-4, 16.1, 319, 321, 323, 324-336,
D12/338-342, 344; D21/436, 439, 440,
D21/443, 447

- 1. Helicopter
- 2. Helicopter
- 1.1 : Perspective
- 1.2 : Front
- 1.3 : Side view
- 1.4 : Rear view
- 1.5 : Side view
- 1.6 : Top
- 1.7 : Bottom
- 2.1 : Perspective
- 2.2 : Front
- 2.3 : Side view
- 2.4 : Rear view
- 2.5 : Side view
- 2.6 : Top
- 2.7 : Bottom

(Continued)

(56) **References Cited**

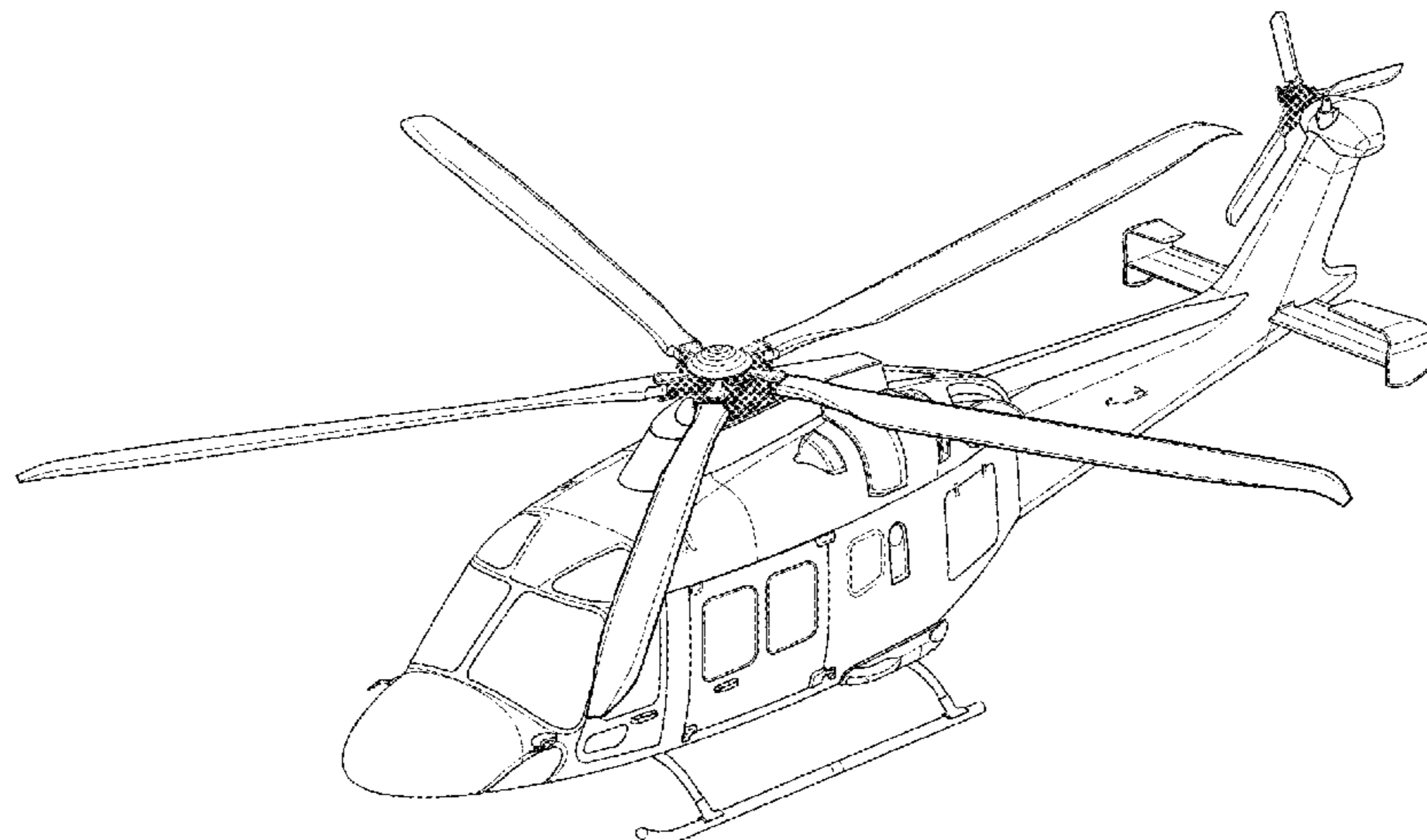
U.S. PATENT DOCUMENTS

2,353,856 A 7/1944 Shannon
3,047,254 A * 7/1962 Spearman B64C 27/82
244/17.19

The translucent gray overlay is provided to represent portions of the helicopter that are disclaimed. The underlying

(Continued)

(Continued)



mechanical parts and the translucent gray overlay itself form no part of the claimed design.

1 Claim, 14 Drawing Sheets

(58) Field of Classification Search

CPC B64B 1/60; B64B 1/22; B64B 1/20; B64B 1/34; B64B 1/10; B64C 27/04; B64C 2027/82; B64C 23/06

See application file for complete search history.

(56)

References Cited

U.S. PATENT DOCUMENTS

D196,016 S * 8/1963 Ballauer et al. D12/327
 D201,934 S * 8/1965 Graham D21/442
 D206,734 S * 1/1967 Kesling D12/327
 3,583,659 A 6/1971 Lermusiaux
 D239,710 S * 4/1976 Garrison D12/327
 D271,390 S * 11/1983 Schramm D12/327
 D278,227 S * 4/1985 Johnston, Jr. D12/327
 D290,596 S * 6/1987 Schramm D12/327
 D332,078 S * 12/1992 Shallene D12/327
 5,217,183 A * 6/1993 Liautaud B64C 25/52
 244/108
 5,240,204 A * 8/1993 Kunz B64C 27/10
 416/129
 5,240,205 A * 8/1993 Allongue B64C 27/82
 244/17.19
 5,242,130 A * 9/1993 Mouille B64C 27/001
 244/17.27
 5,251,847 A * 10/1993 Guimbal B64C 27/82
 244/17.19
 D357,894 S * 5/1995 Arnold D12/327
 D363,054 S * 10/1995 Taylor D12/326
 D375,077 S * 10/1996 Taylor D12/327
 D425,853 S * 5/2000 Caporaletti D12/327

D580,845 S * 11/2008 Van de Rostyne D12/326
 D592,583 S * 5/2009 Brody D12/326
 D665,720 S * 8/2012 Stille D12/326
 D687,364 S * 8/2013 Mitchell D12/326
 D692,797 S * 11/2013 Ohnishi D12/326
 D695,205 S * 12/2013 Guzman D21/442
 D699,153 S * 2/2014 Birkner D21/442
 8,657,226 B1 2/2014 McGinnis
 D708,273 S * 7/2014 Kouyoumjian D21/442
 8,985,500 B2 3/2015 Borie et al.
 D928,071 S * 8/2021 Löwenstein D12/327
 2012/0211608 A1 * 8/2012 Pancotti B64C 29/0033
 244/7 C
 2019/0210708 A1 * 7/2019 Gorgoglione B64C 1/32
 2019/0375498 A1 * 12/2019 Sinusas B64C 5/12
 2020/0346737 A1 * 11/2020 Sinusas B64C 5/02
 2021/0053674 A1 * 2/2021 Carr B29C 70/52
 2022/0056917 A1 * 2/2022 Patricelli B64C 27/04
 2022/0169398 A1 * 6/2022 Ouellet B64D 27/24

FOREIGN PATENT DOCUMENTS

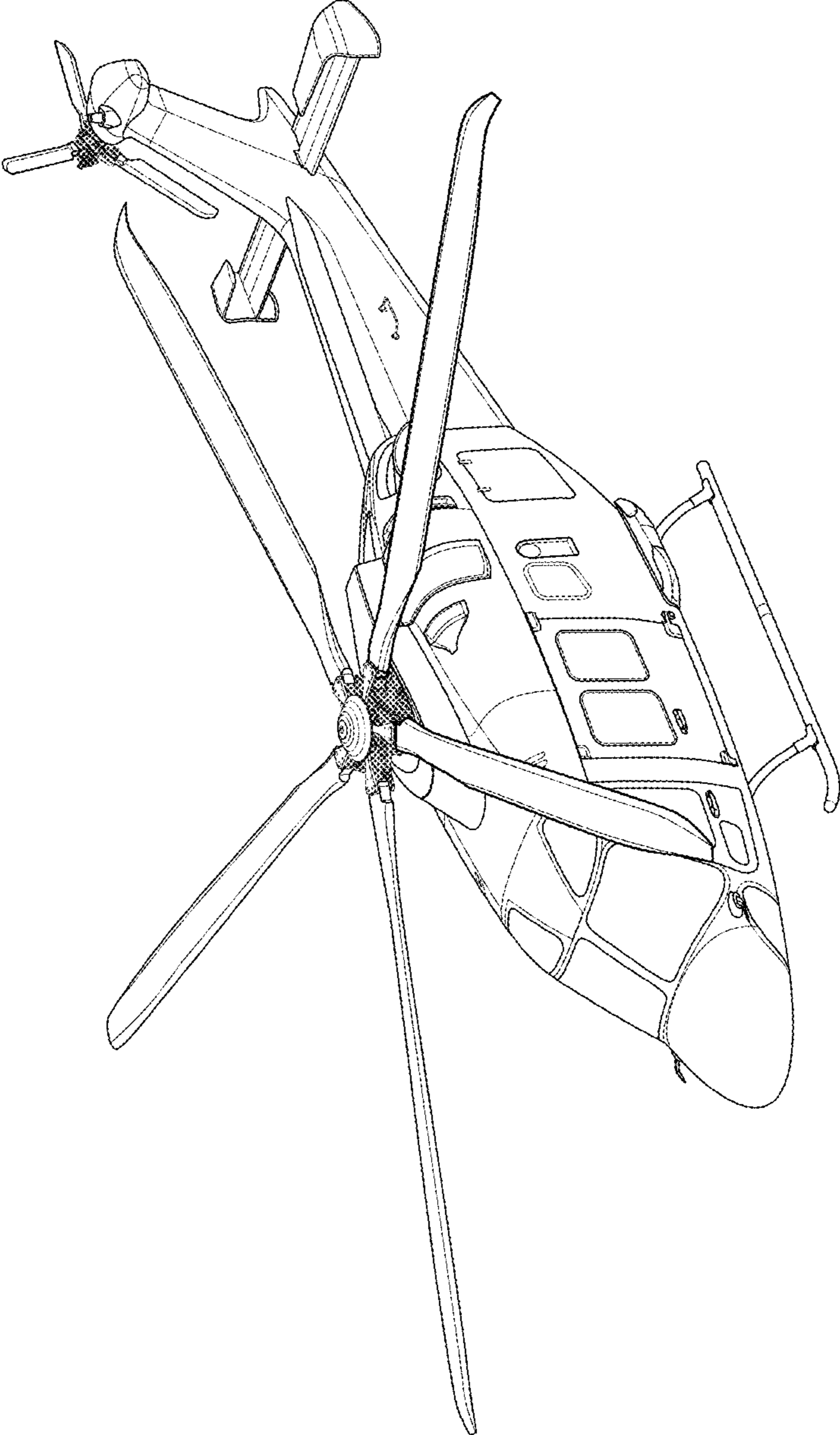
GB 606420 A 8/1948
 NL 16887 C 9/1927

OTHER PUBLICATIONS

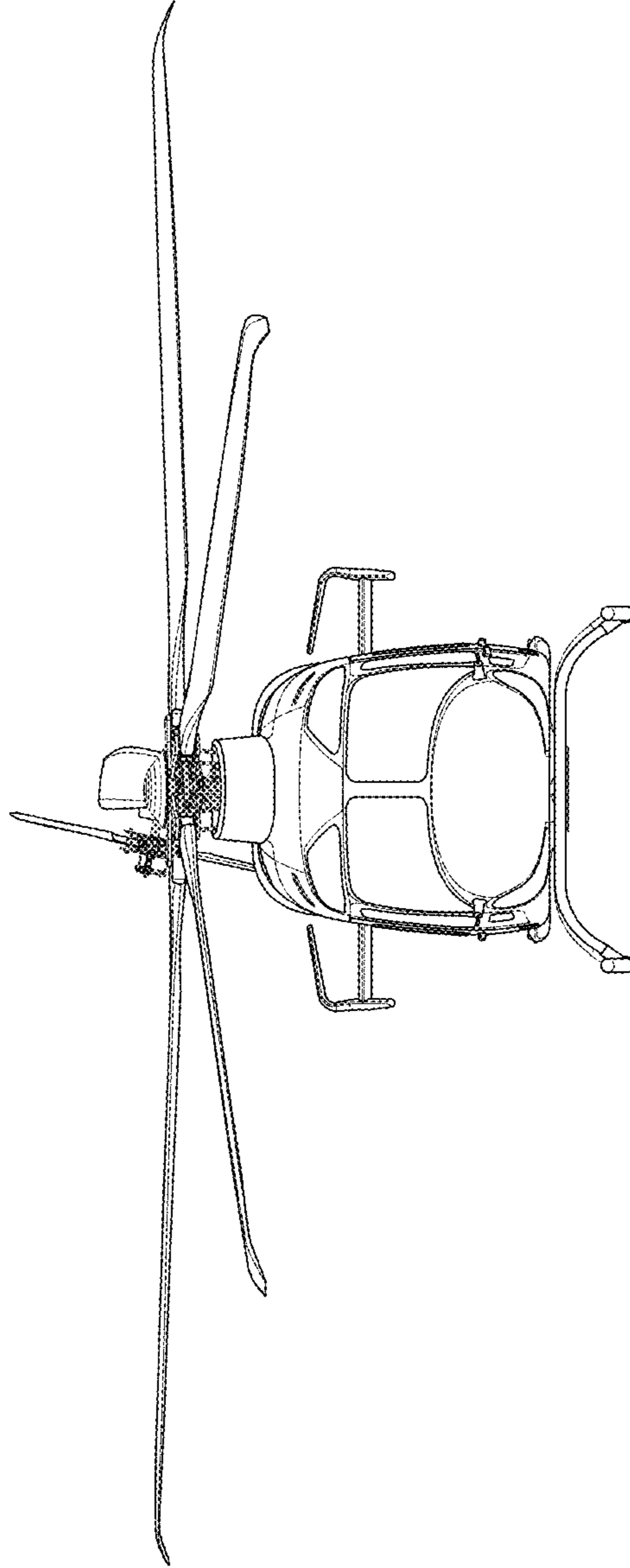
European Search Report in EP Application No. 20164164, mailed Aug. 20, 2020 (2 pages).
 European Search Report in EP Application No. 13400035, mailed Apr. 7, 2014 (3 pages).
 European Search Report in EP Application No. 19219521, mailed May 28, 2020 (2 pages).
 Moore, Kirk, "First helicopter service contract for U.S. offshore wind", Apr. 5, 2022, Workboat; from Internet <https://www.workboat.com/wind/first-helicopter-service-contract-for-u-s-offshore-wind#:~:text=Offshore%20wind%20developers%20%C3%98rsted%20and,the%20U.S.%20offshore%20wind%20industry>.

* cited by examiner

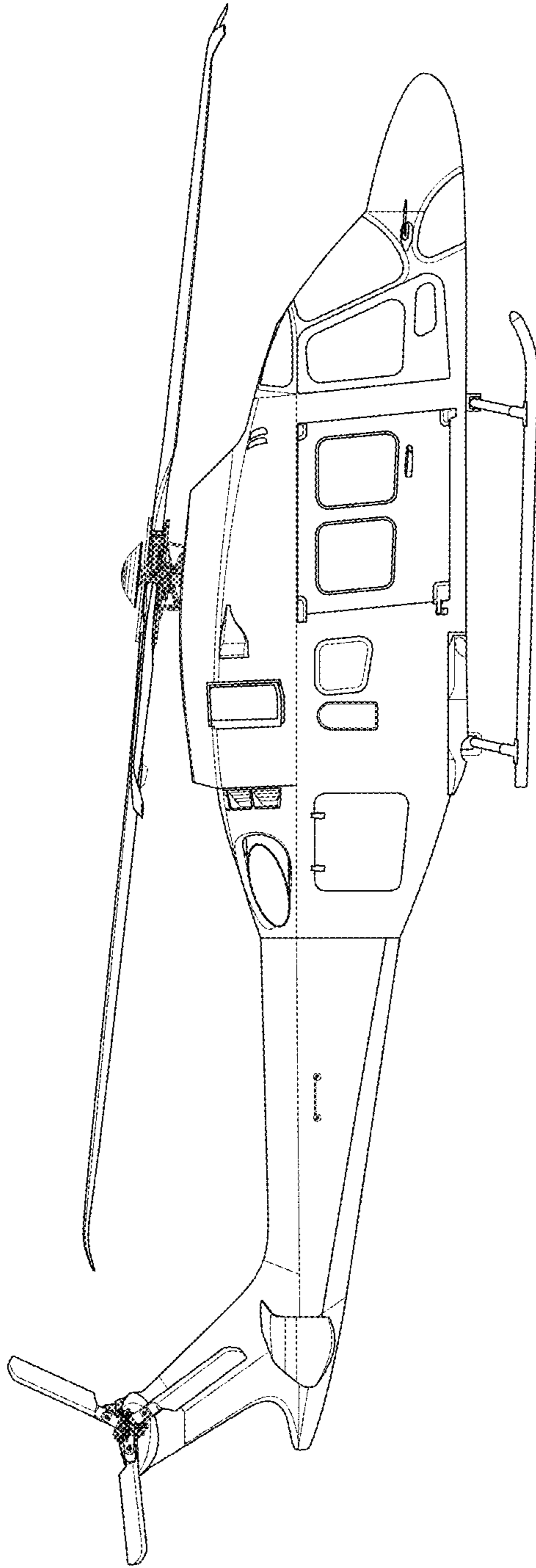
1.1



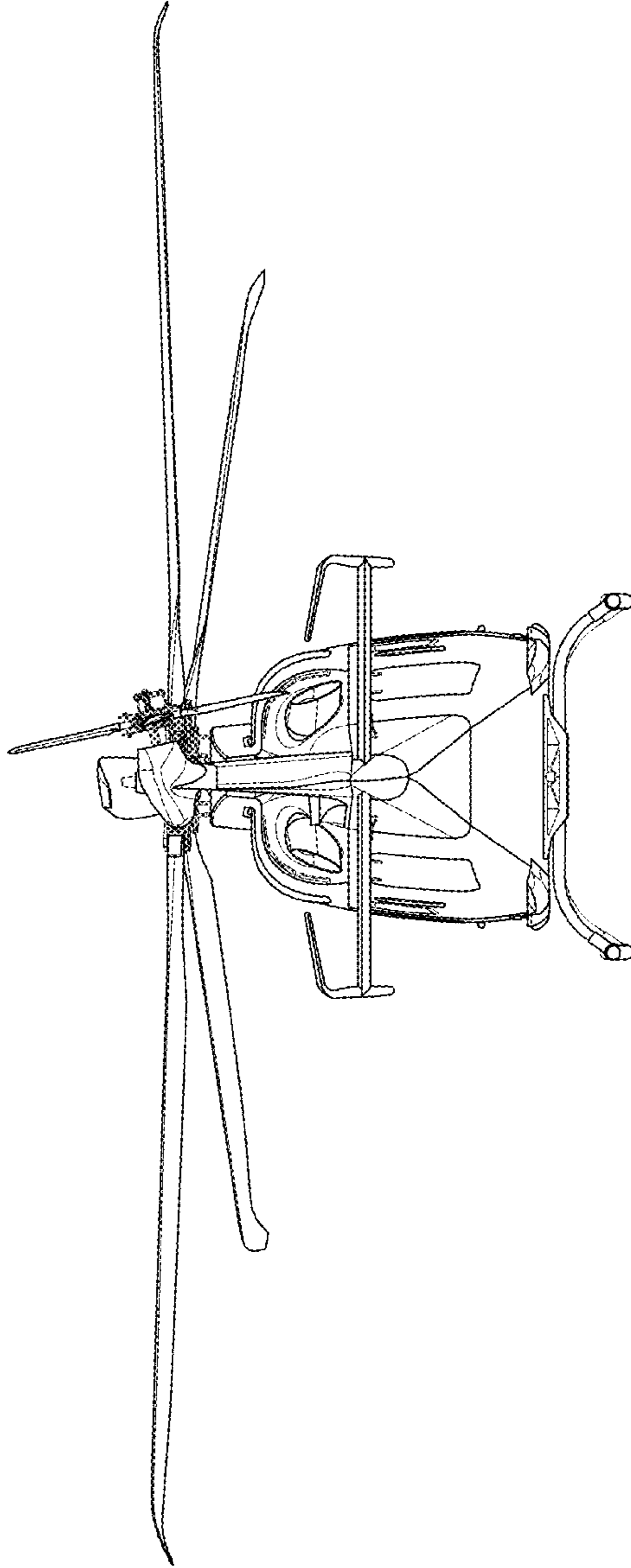
1.2



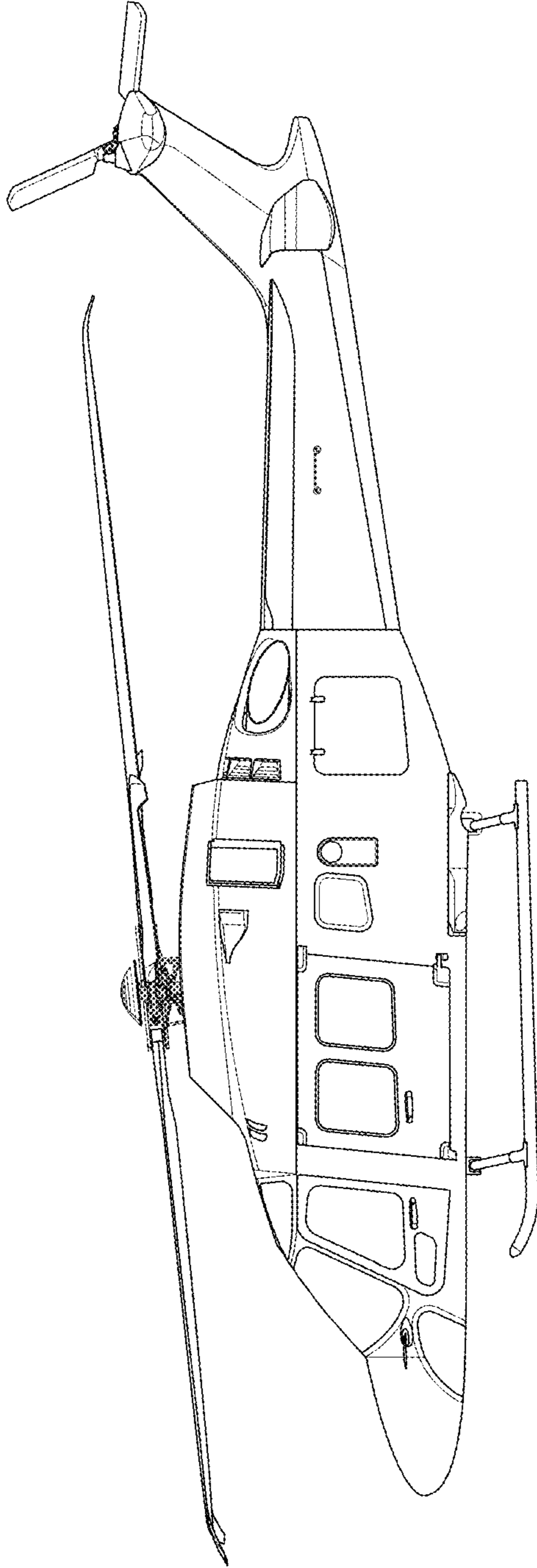
1.3



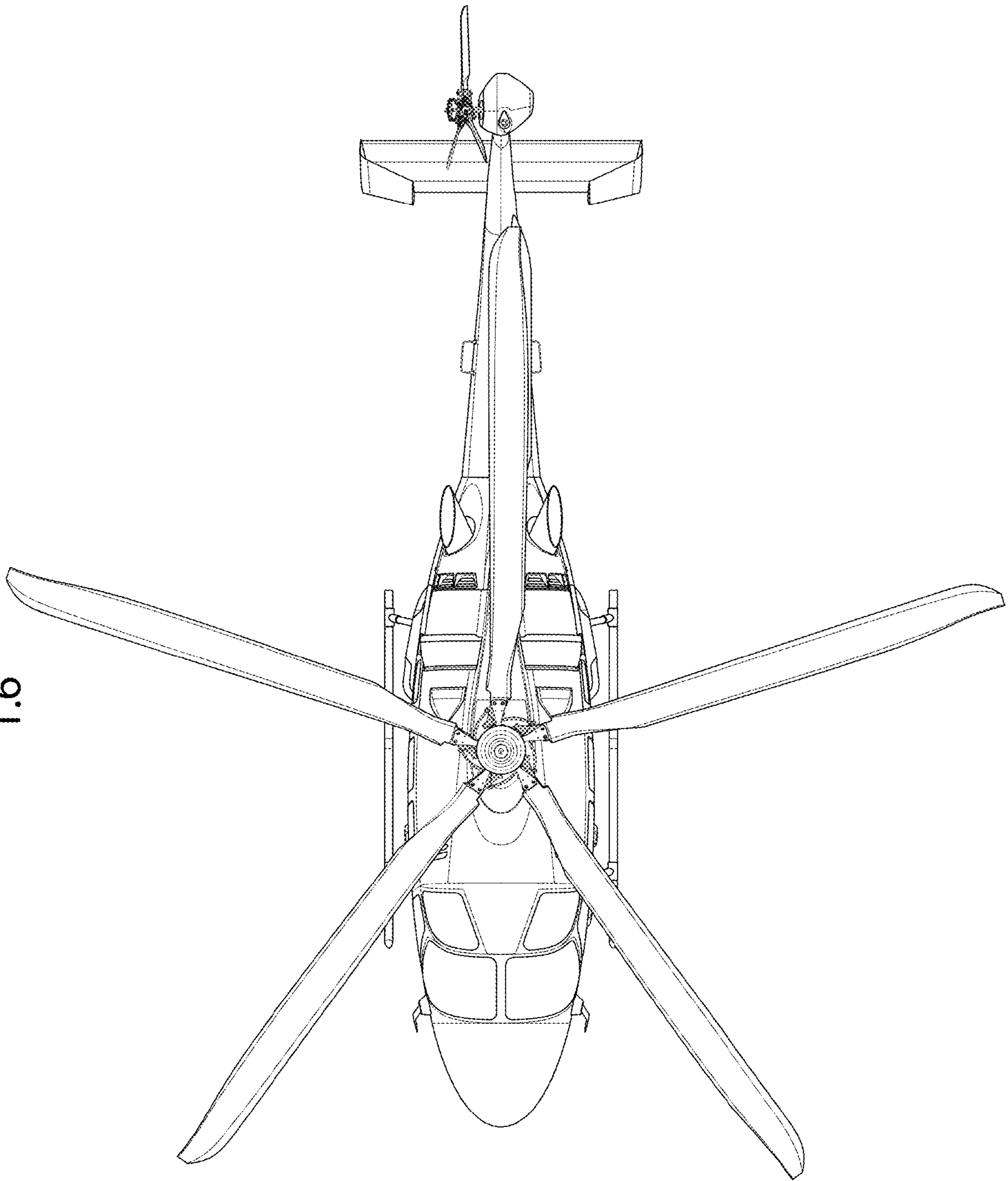
1.4

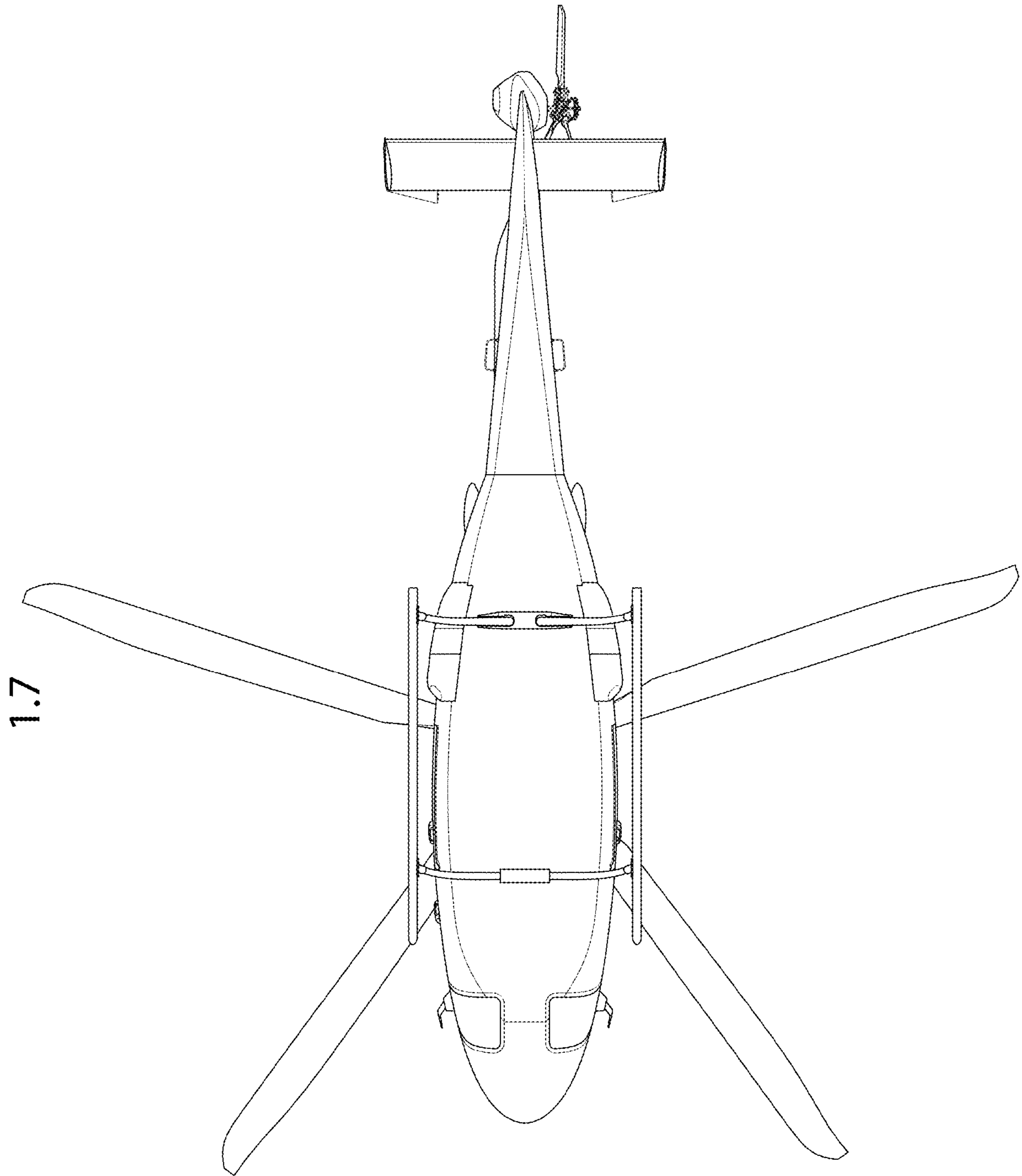


1.5

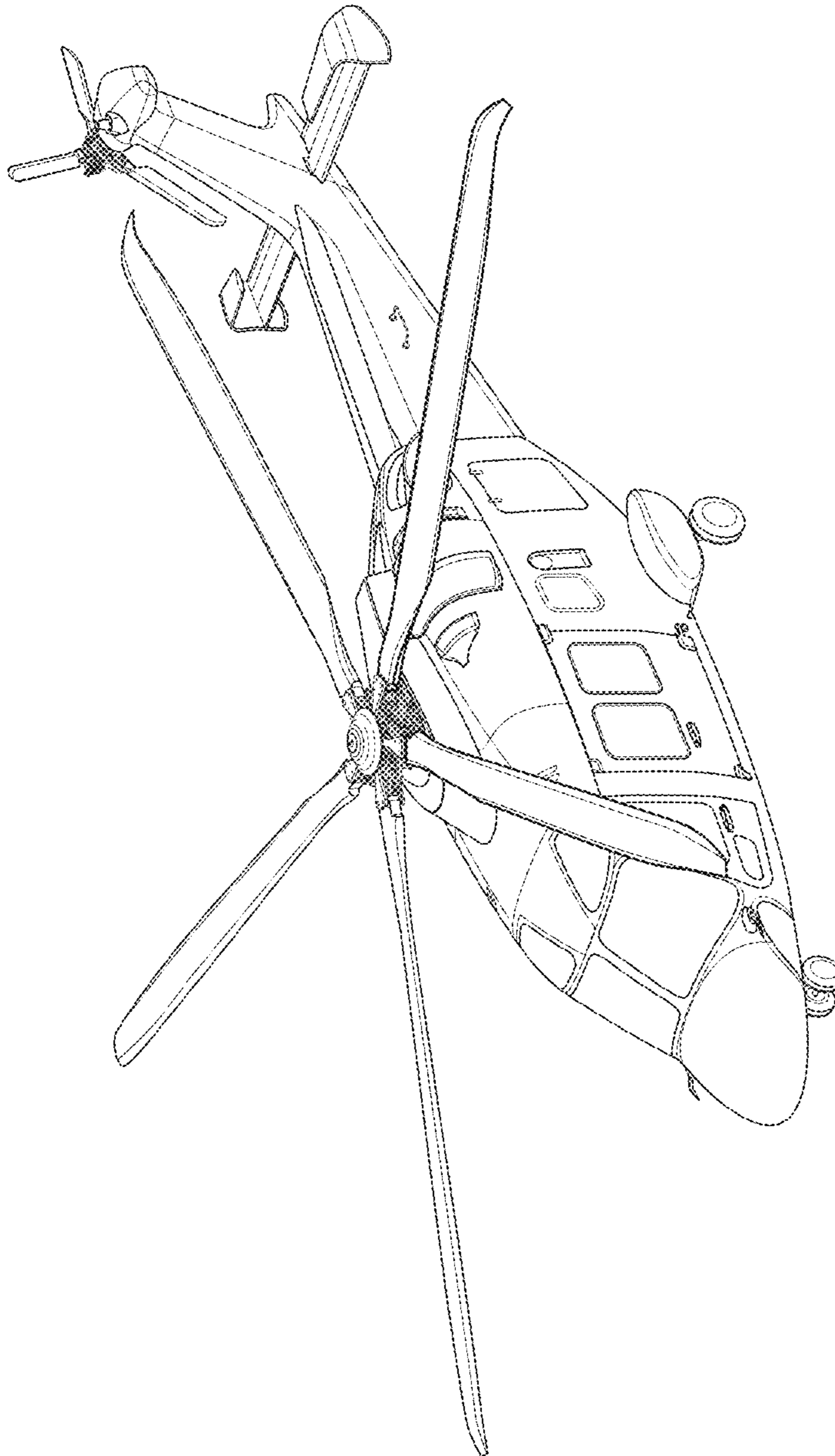


1.6

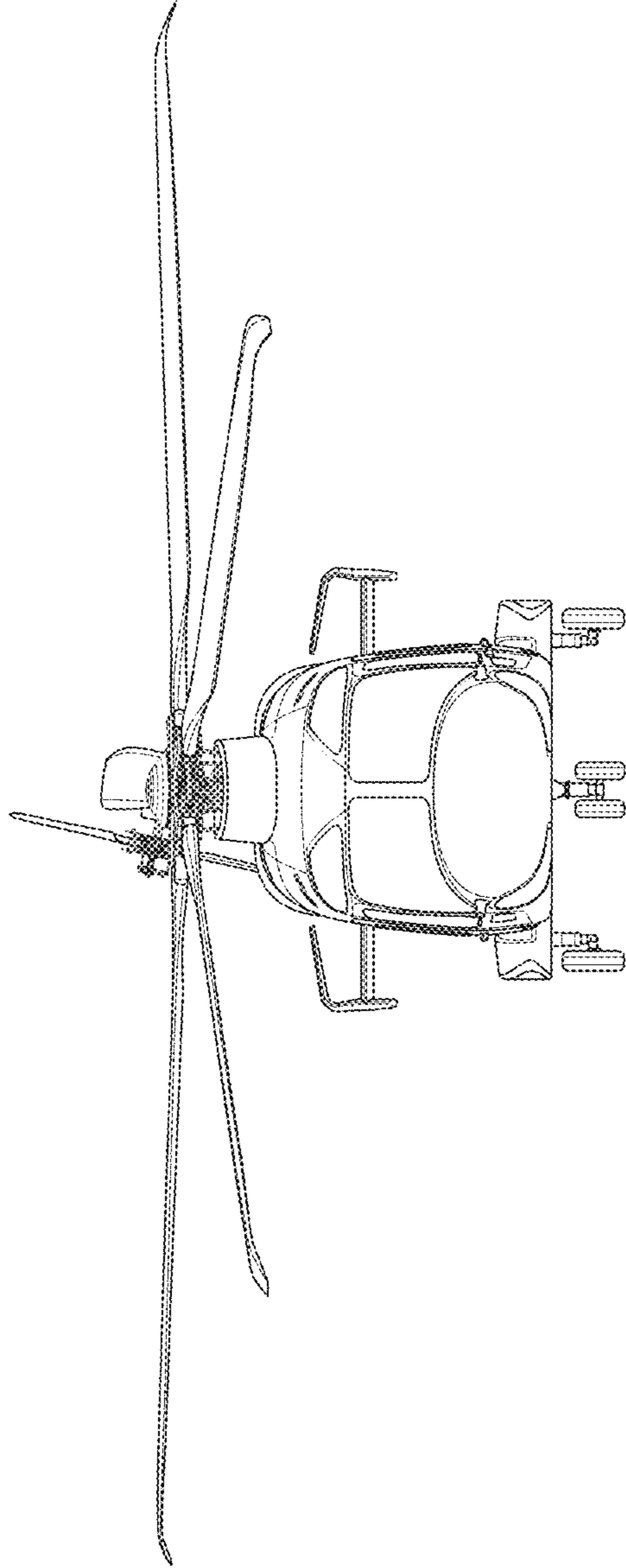




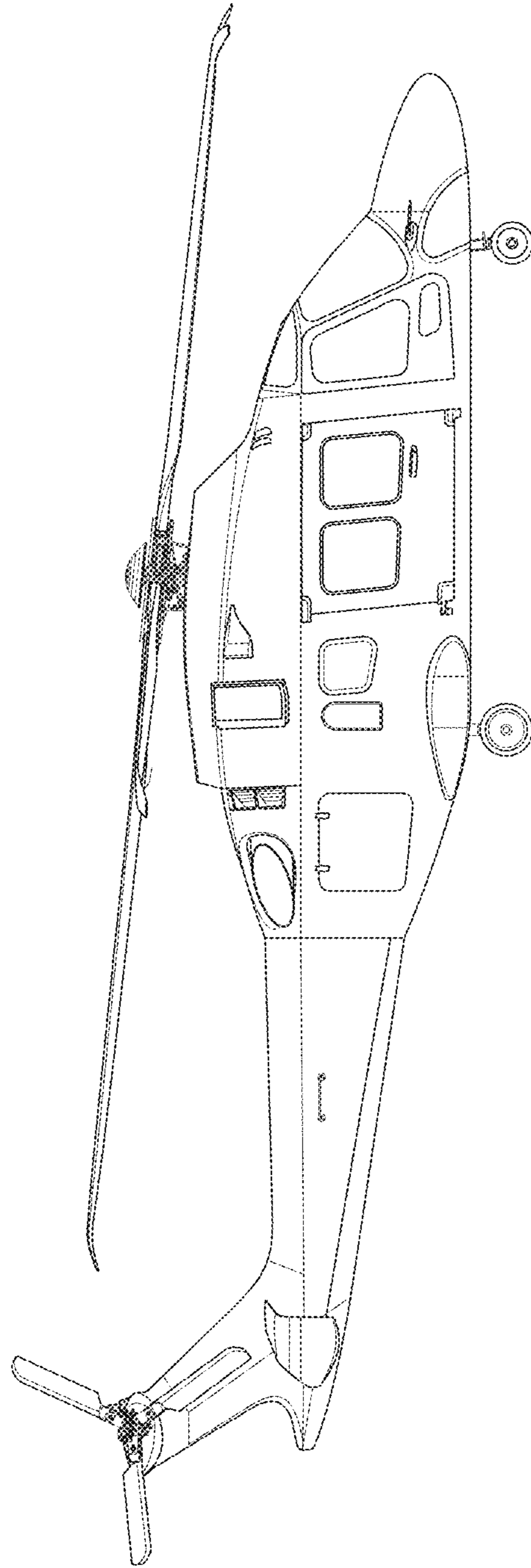
2.1



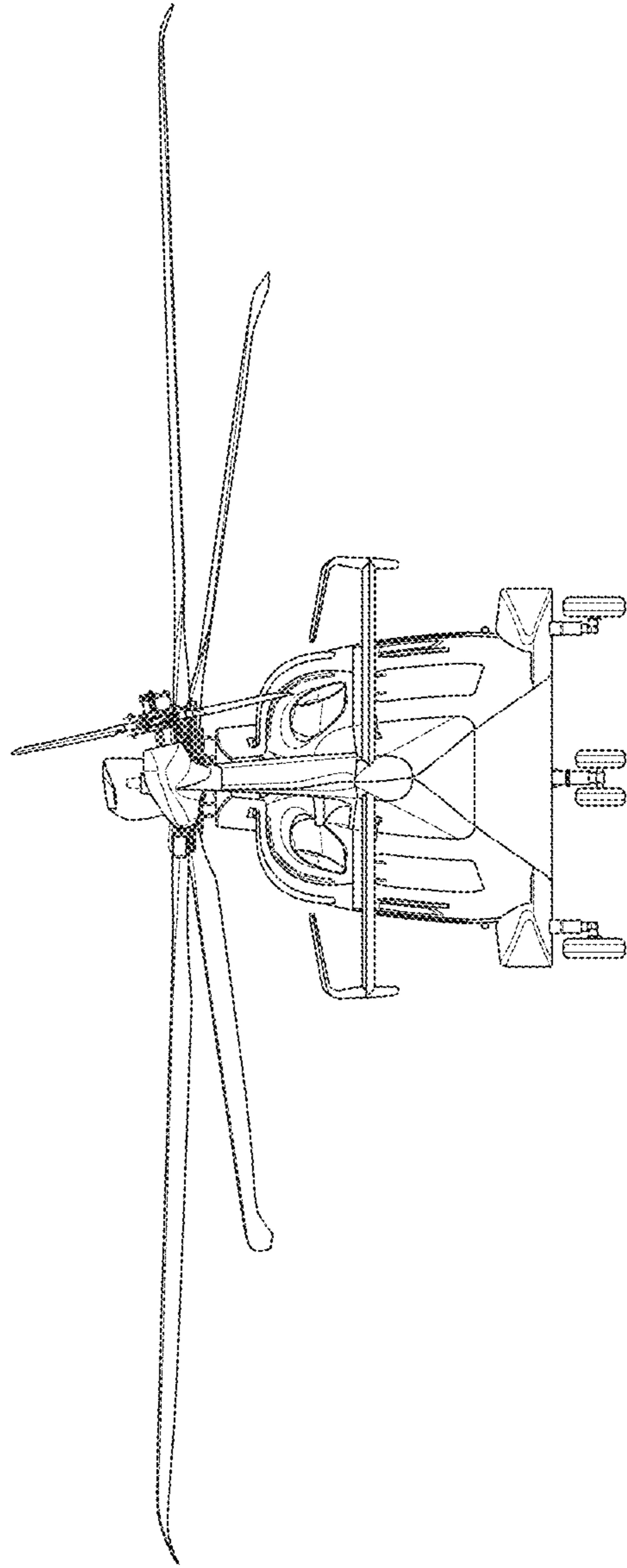
2.2



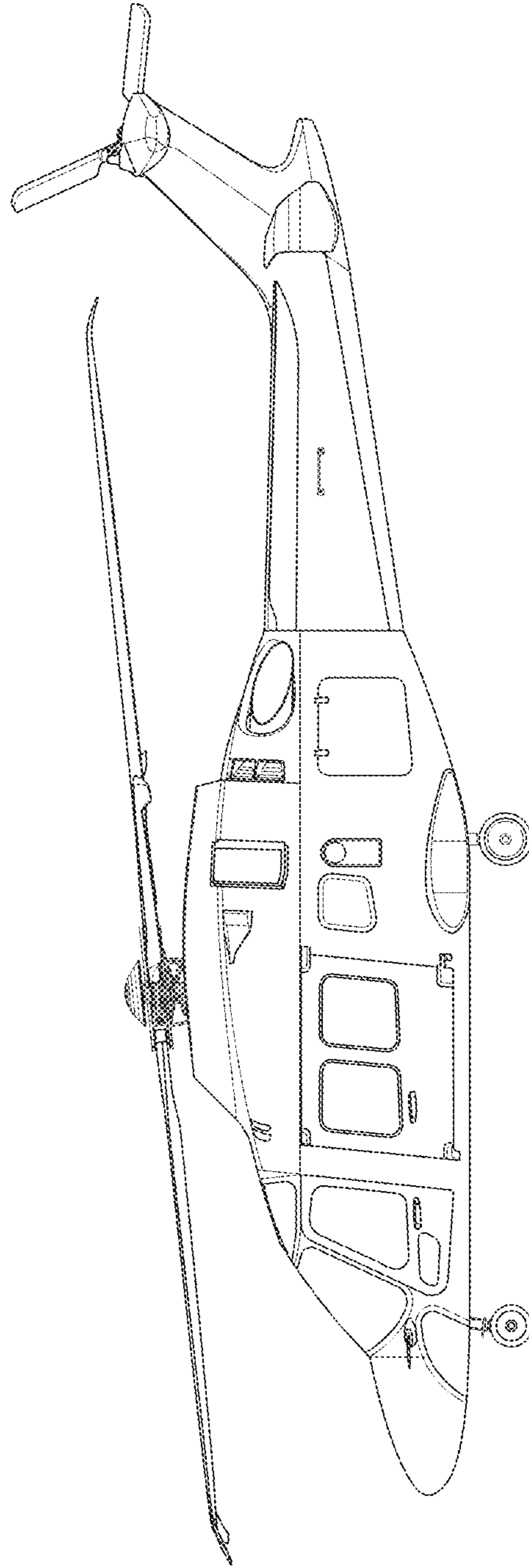
2.3

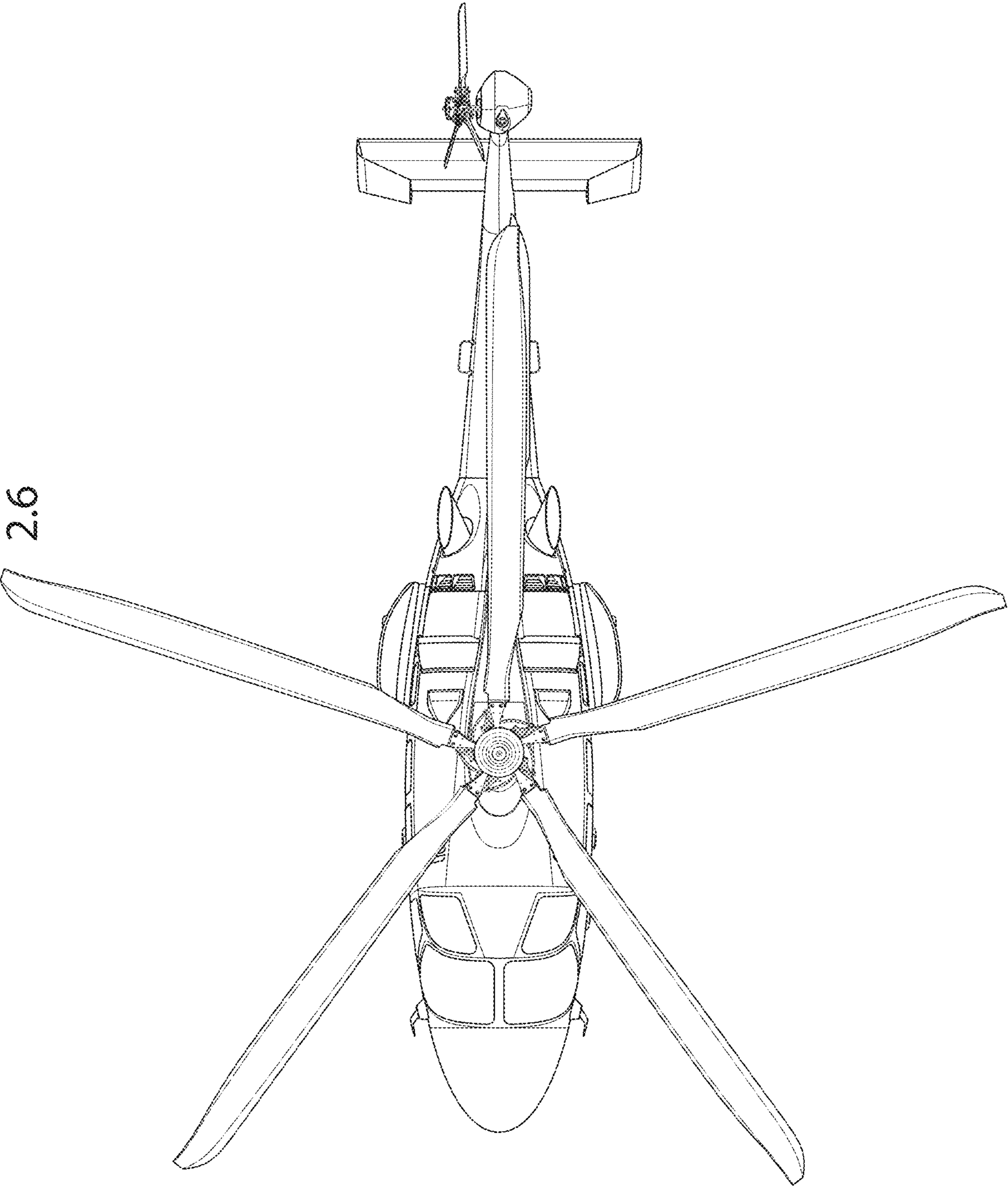


2.4



2.5





2.6

2.7

