



US0D1040699S

(12) **United States Design Patent** (10) **Patent No.:** **US D1,040,699 S**  
**Collins et al.** (45) **Date of Patent:** **\*\* Sep. 3, 2024**

(54) **MODEL VEHICLE TRAILER ASSEMBLY**

(71) Applicant: **TRAXXAS, L.P.**, McKinney, TX (US)

(72) Inventors: **Trent Collins**, McKinney, TX (US);  
**Otto Karl Allmendinger**, Rowlett, TX (US); **Kent Poteet**, Lucas, TX (US);  
**Adam Cole Ewing**, McKinney, TX (US); **Skylar Hagler**, Anna, TX (US)

(73) Assignee: **TRAXXAS, L.P.**, McKinney, TX (US)

(\*\*) Term: **15 Years**

(21) Appl. No.: **29/852,575**

(22) Filed: **Sep. 8, 2022**

(51) **LOC (14) Cl.** ..... **12-10**

(52) **U.S. Cl.**  
USPC ..... **D12/101**

(58) **Field of Classification Search**  
USPC ..... D12/101, 103, 105, 106, 162, 102, 104,  
D12/413, 414.1, 19, 129, 100, 111, 112;  
D21/599, 561, 552, 548, 425, 435;  
D8/330, 331, 323; D13/139.5, 133, 149,  
D13/154; D34/21-26, 12, 16-19  
CPC ..... B62D 35/02; B62D 35/00  
See application file for complete search history.

(56) **References Cited**

**U.S. PATENT DOCUMENTS**

D249,138 S *	8/1978	Butler	.....	D12/105
D325,549 S *	4/1992	Jarvis	.....	D12/105
D373,748 S *	9/1996	Fuller	.....	D12/105
D515,464 S *	2/2006	DeShong	.....	D12/101
D760,122 S *	6/2016	Guidry	.....	D12/101
D779,380 S *	2/2017	van den Berg	.....	D12/101
D864,032 S *	10/2019	Bernard	.....	D12/101
D936,520 S *	11/2021	Wydner	.....	D12/101
D1,008,101 S *	12/2023	Langenfeld	.....	D12/101
2012/0196505 A1 *	8/2012	Schneider	.....	A63H 17/06 446/428

**OTHER PUBLICATIONS**

“Meus Racing CNC Aluminum Utility Trailer stows Car with Hitch for TRX-4M TRX4M 1/8 RC Crawler Car” amazon.com, post Published: Unavailable. Retrieved Feb. 16, 2024. Available online at URL:https://www.amazon.com/MEUS-RACING-Aluminum-Utility-Titanium/dp/B0C49CWHWY/ref=sr\_1\_18\_sspa?dib=eyJ2I (Year: 2024).\*

(Continued)

*Primary Examiner* — Christian P. McLean

*Assistant Examiner* — Jessica Lynn Devilbiss

(74) *Attorney, Agent, or Firm* — Daryl R. Wright; Greg Carr

(57) **CLAIM**

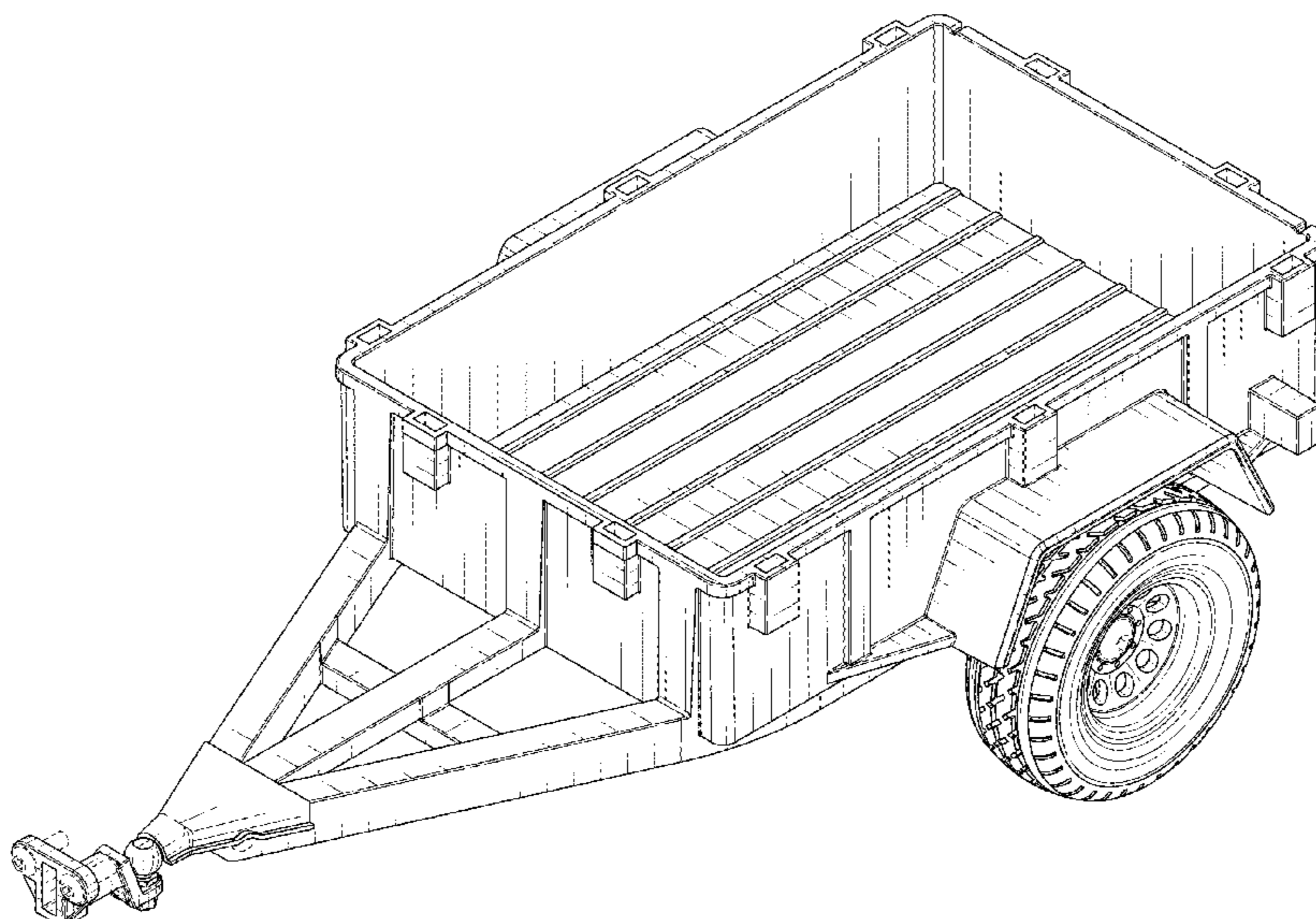
We claim the ornamental design for a model vehicle trailer assembly, as shown and described.

**DESCRIPTION**

FIG. 1 is an upper, left, front perspective view of a model vehicle trailer assembly showing our new design; FIG. 2 is a front elevation view thereof; FIG. 3 is a rear elevation view thereof; FIG. 4 is a right side elevation view thereof; FIG. 5 is a left side elevation view thereof; FIG. 6 is an upper plan view thereof; FIG. 7 is a lower plan view thereof; FIG. 8 is an upper, right, rear perspective view thereof; FIG. 9 is a lower, right, rear perspective view thereof; and, FIG. 10 is a lower, left, front perspective view of the model vehicle trailer assembly.

In the drawings, the broken lines illustrate portions of the model vehicle trailer assembly that form no part of the claimed design.

**1 Claim, 9 Drawing Sheets**



(56)

**References Cited**

OTHER PUBLICATIONS

“Yitamotor 500 Pound Steel Dump Cart Tow Behind Lawn Dump Cart for Lawn Tractor Black” amazon.com, post Published Oct. 23, 2023. Retrieved Feb. 16, 2024. Available online at URL:[https://www.amazon.com/YITAMOTOR-Pound-Steel-Behind-Tractor/dp/B0CLLF68W3/ref=sr\\_1\\_20\\_sspa?crid=1067ORCM3G6OV&dib](https://www.amazon.com/YITAMOTOR-Pound-Steel-Behind-Tractor/dp/B0CLLF68W3/ref=sr_1_20_sspa?crid=1067ORCM3G6OV&dib) (Year: 2023).\*

\* cited by examiner

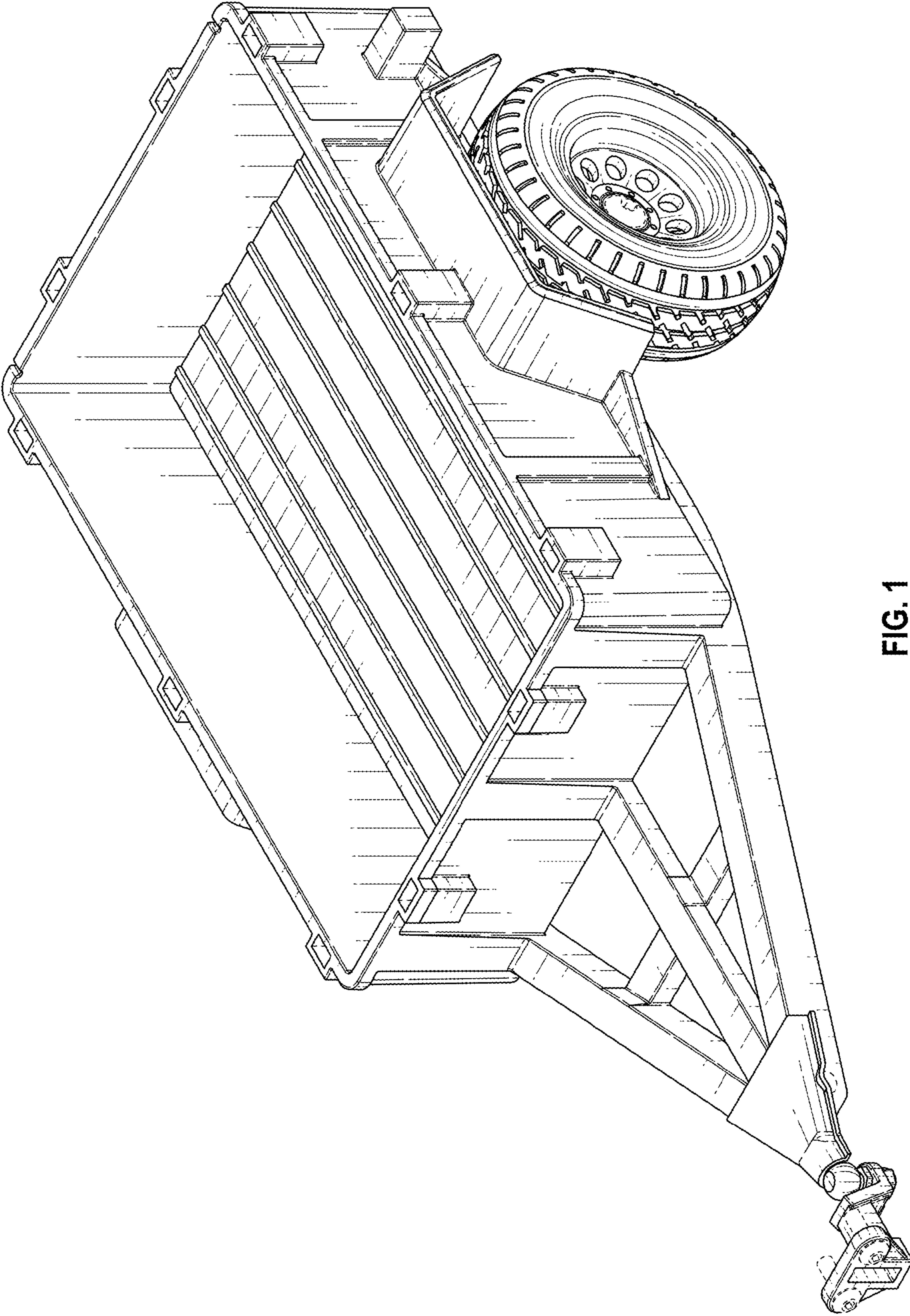


FIG. 1

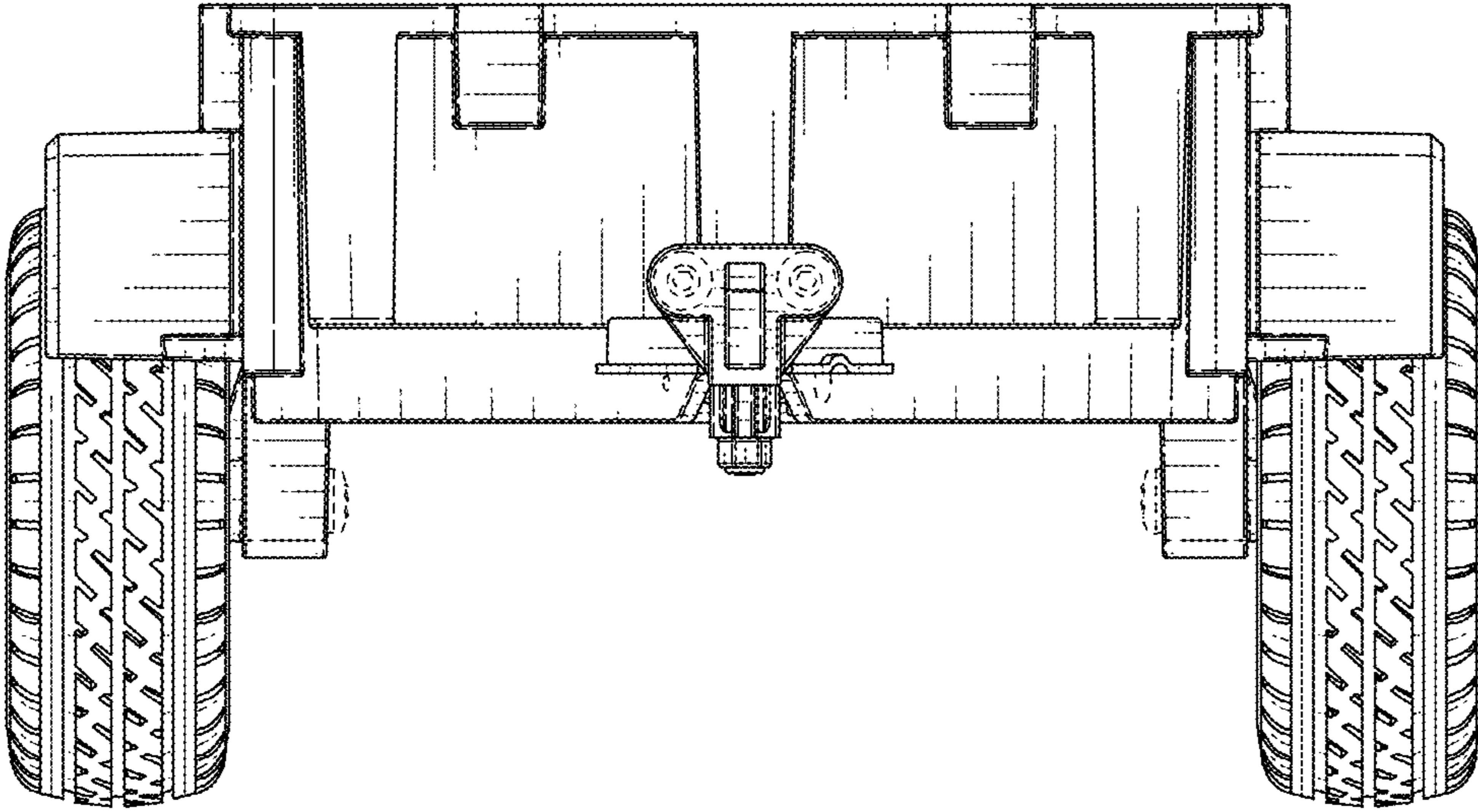


FIG. 2

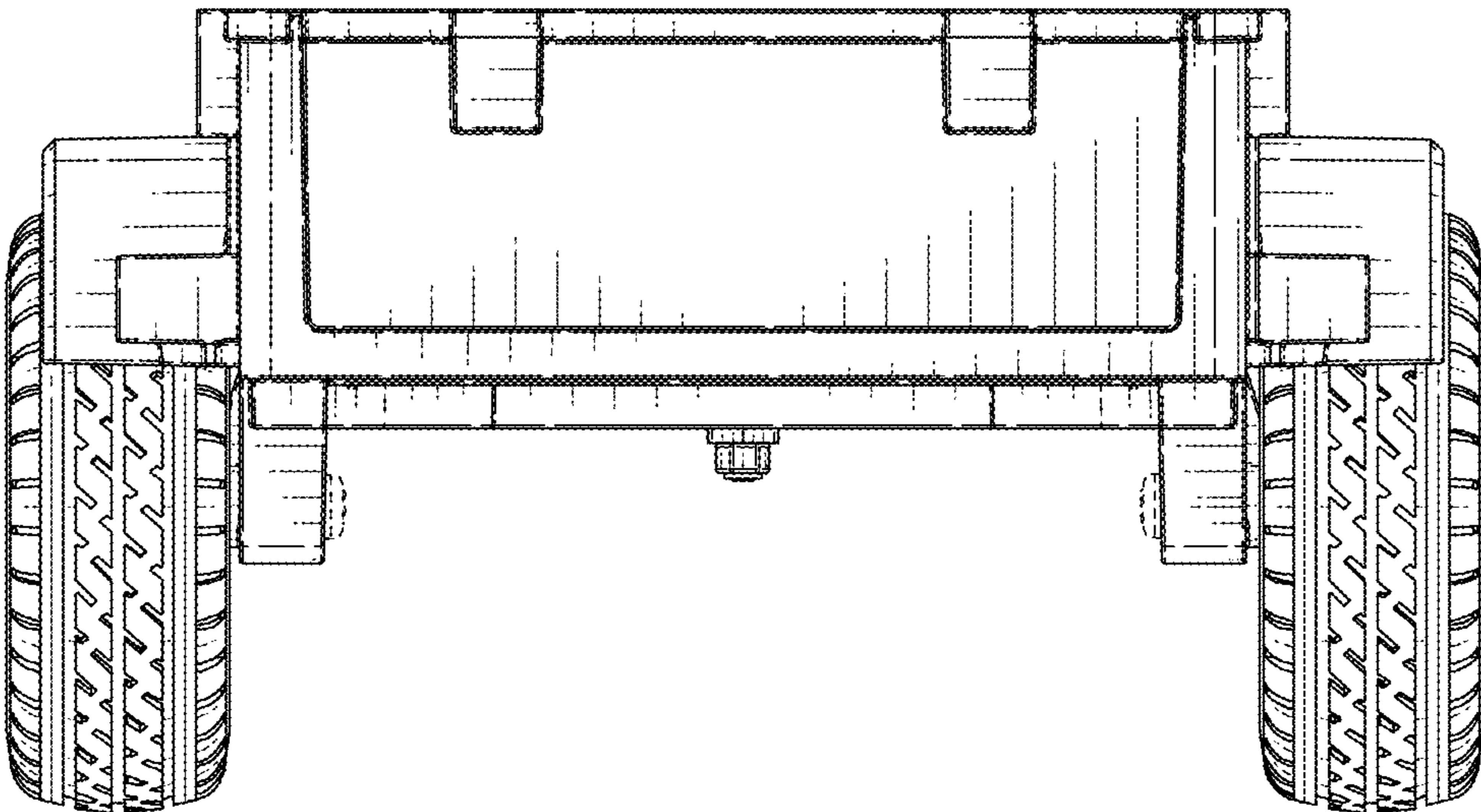


FIG. 3

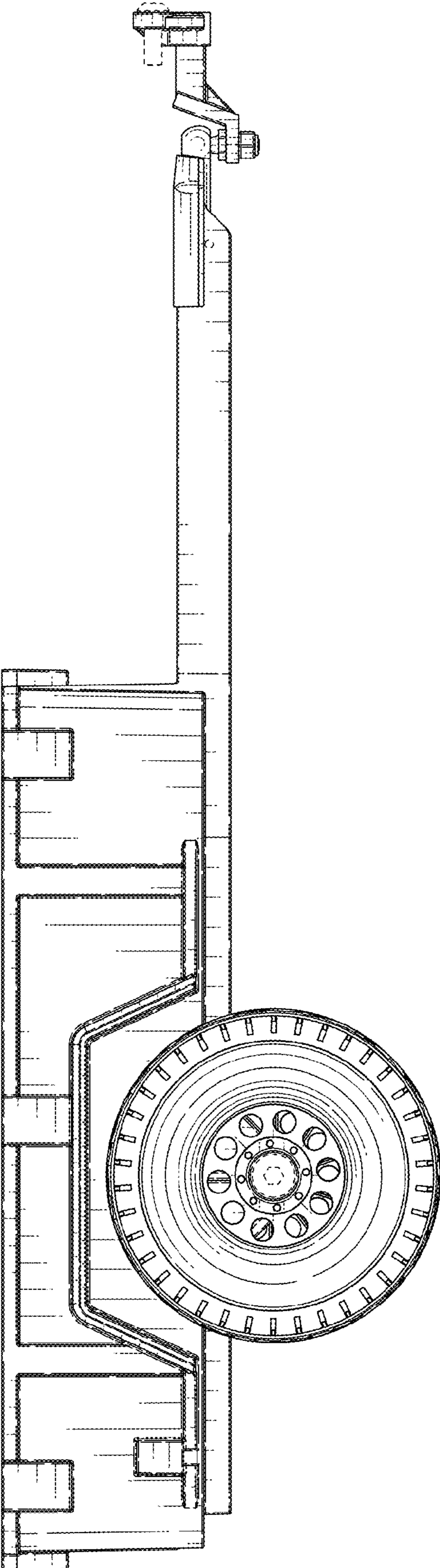


FIG. 4

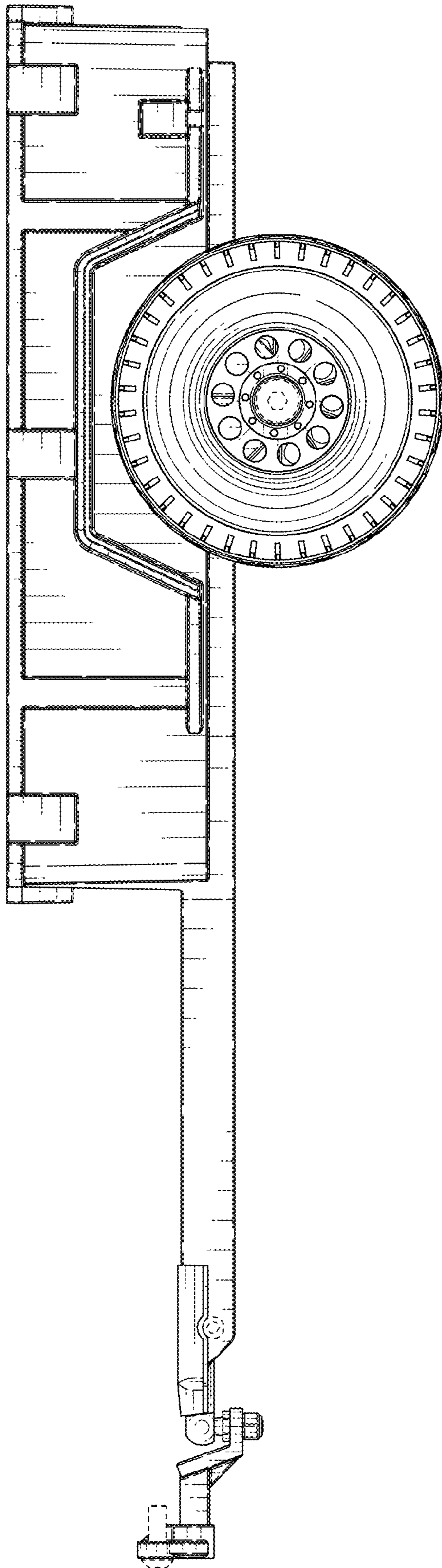


FIG. 5

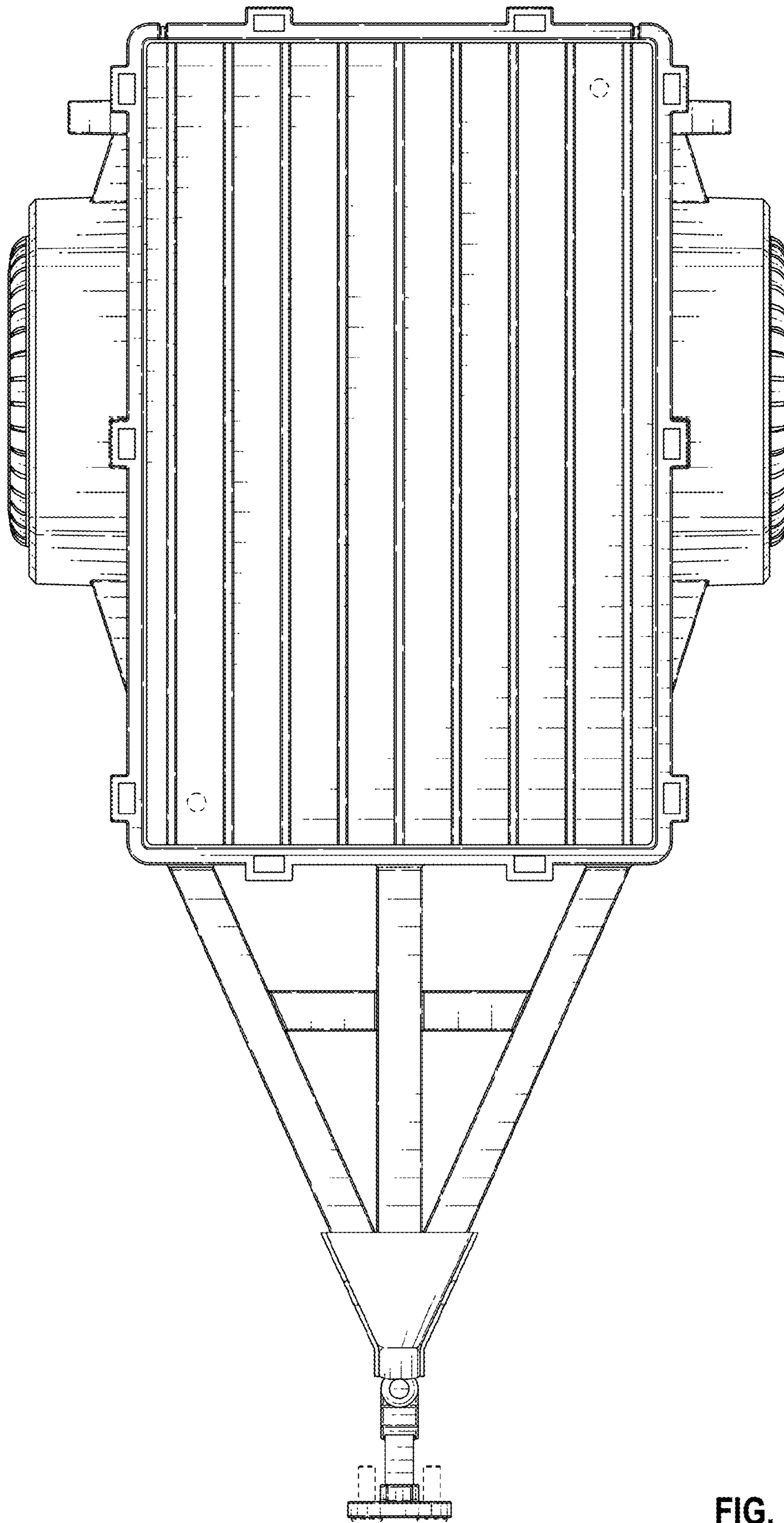


FIG. 6

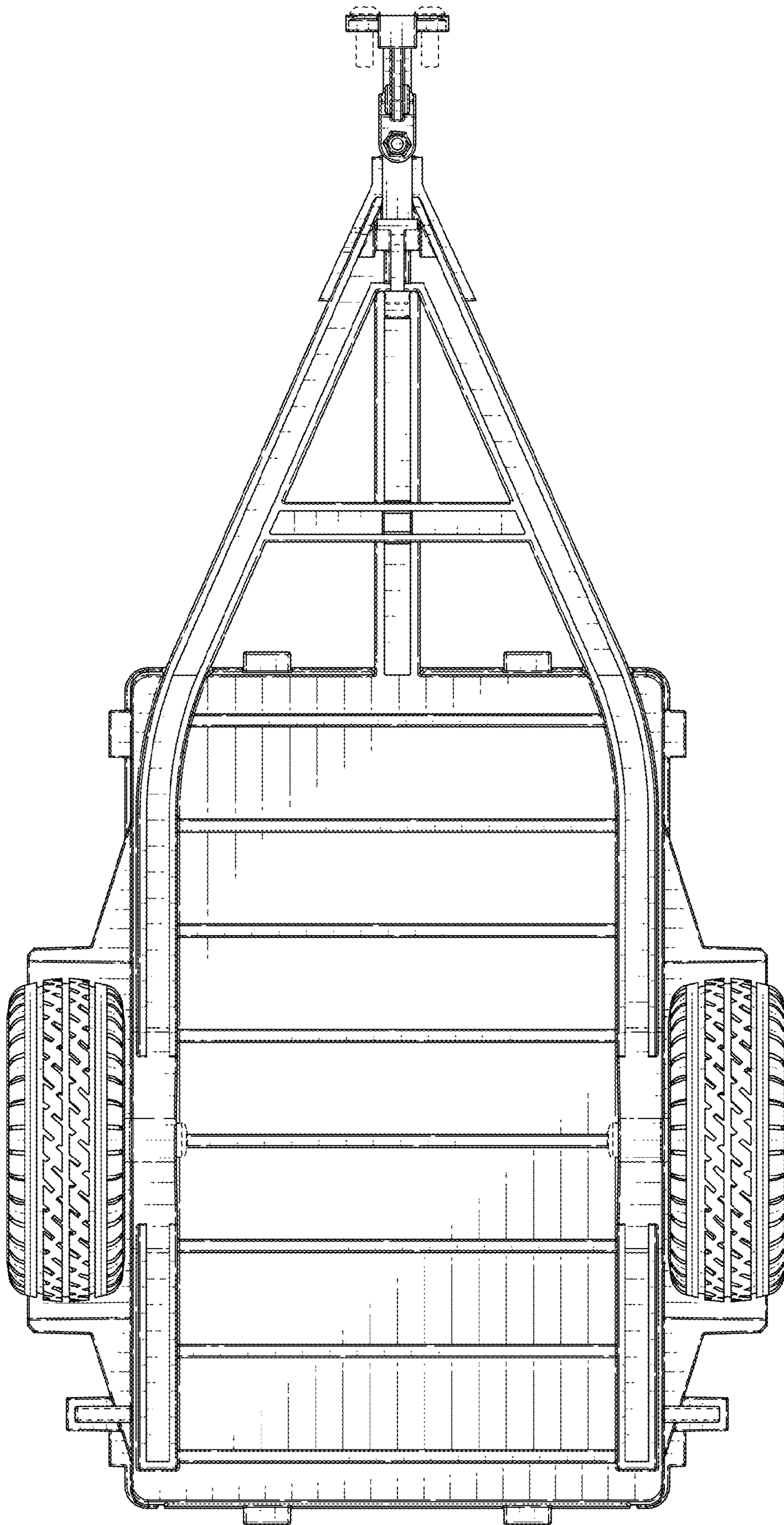


FIG. 7



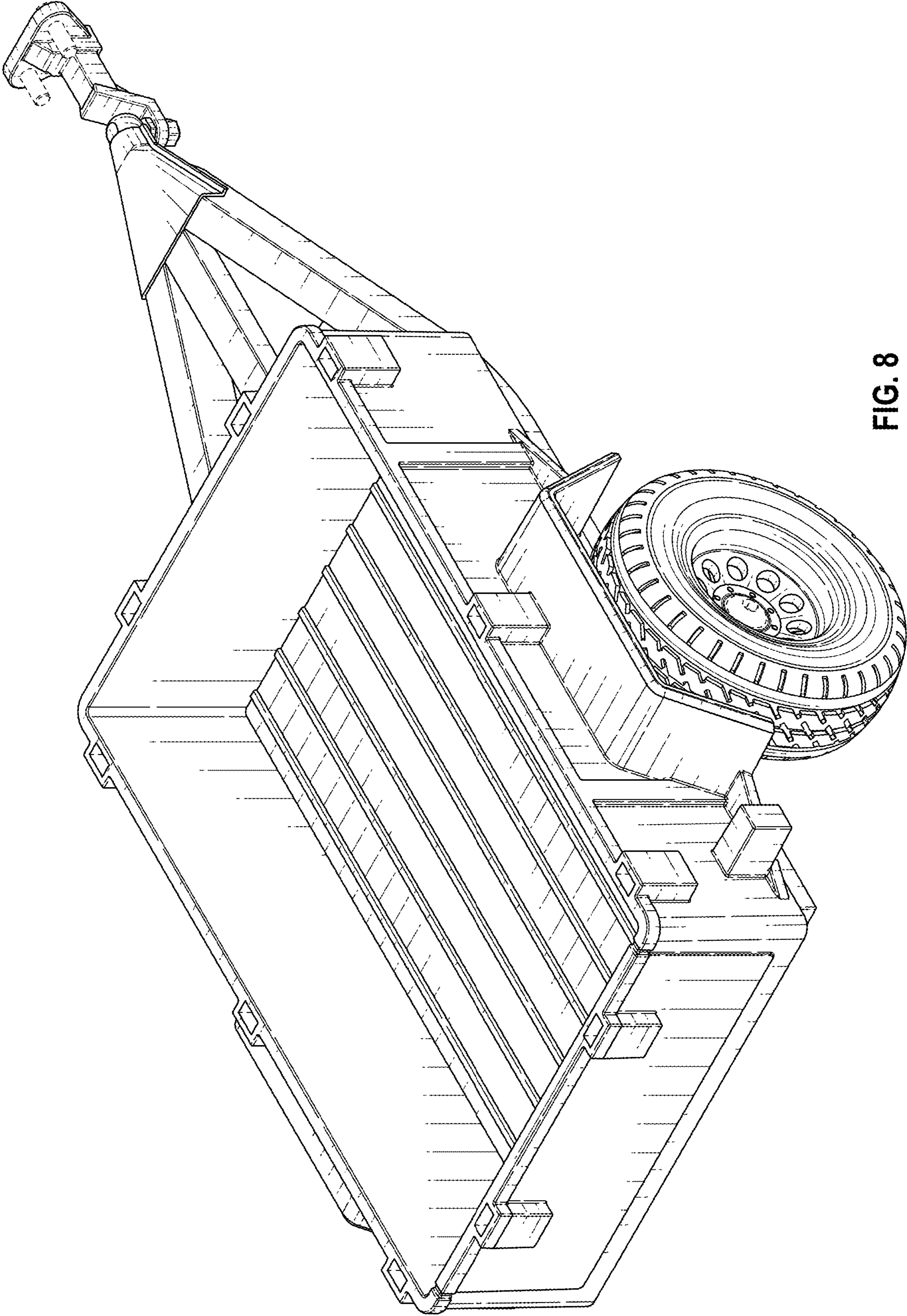


FIG. 8

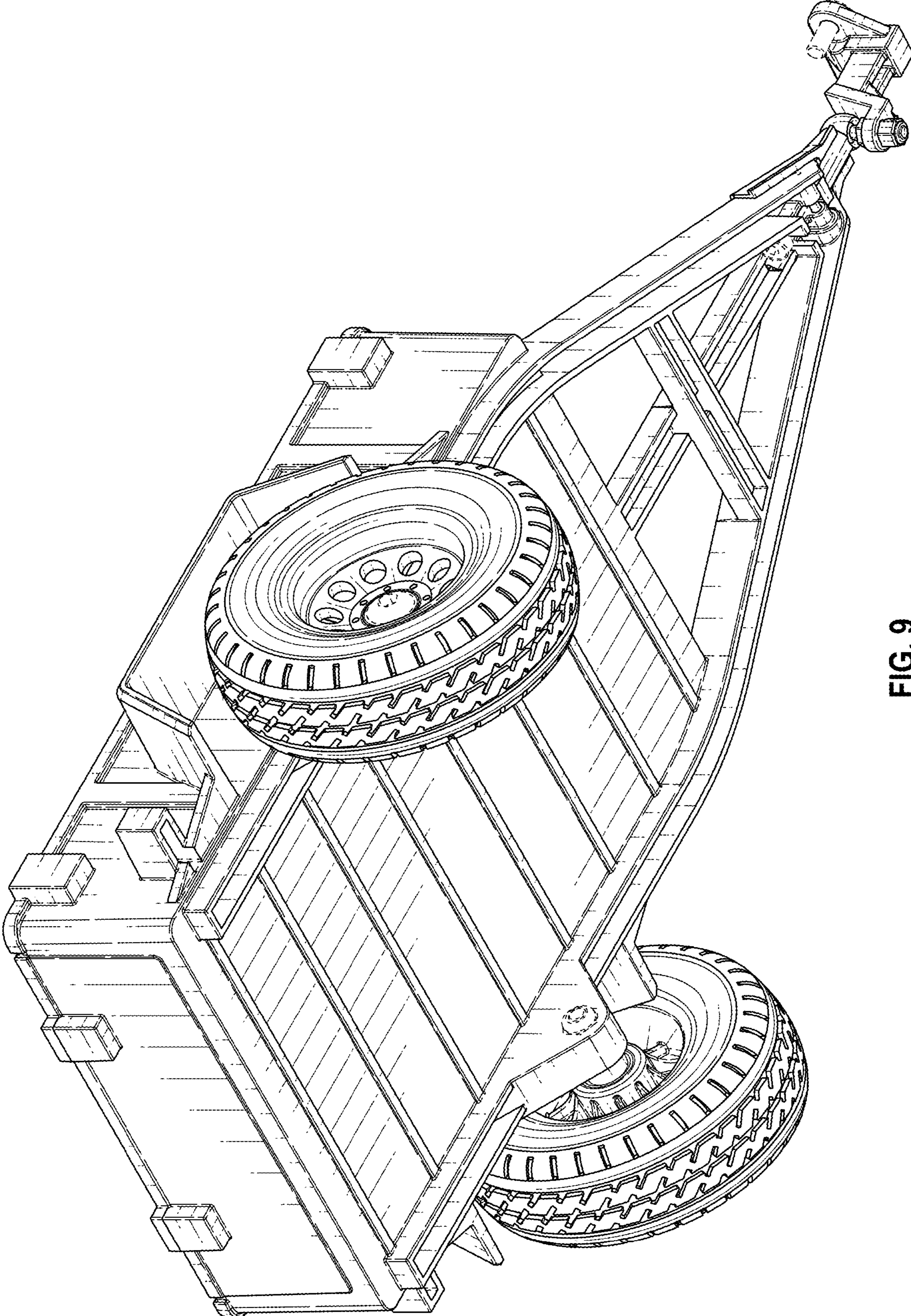


FIG. 9

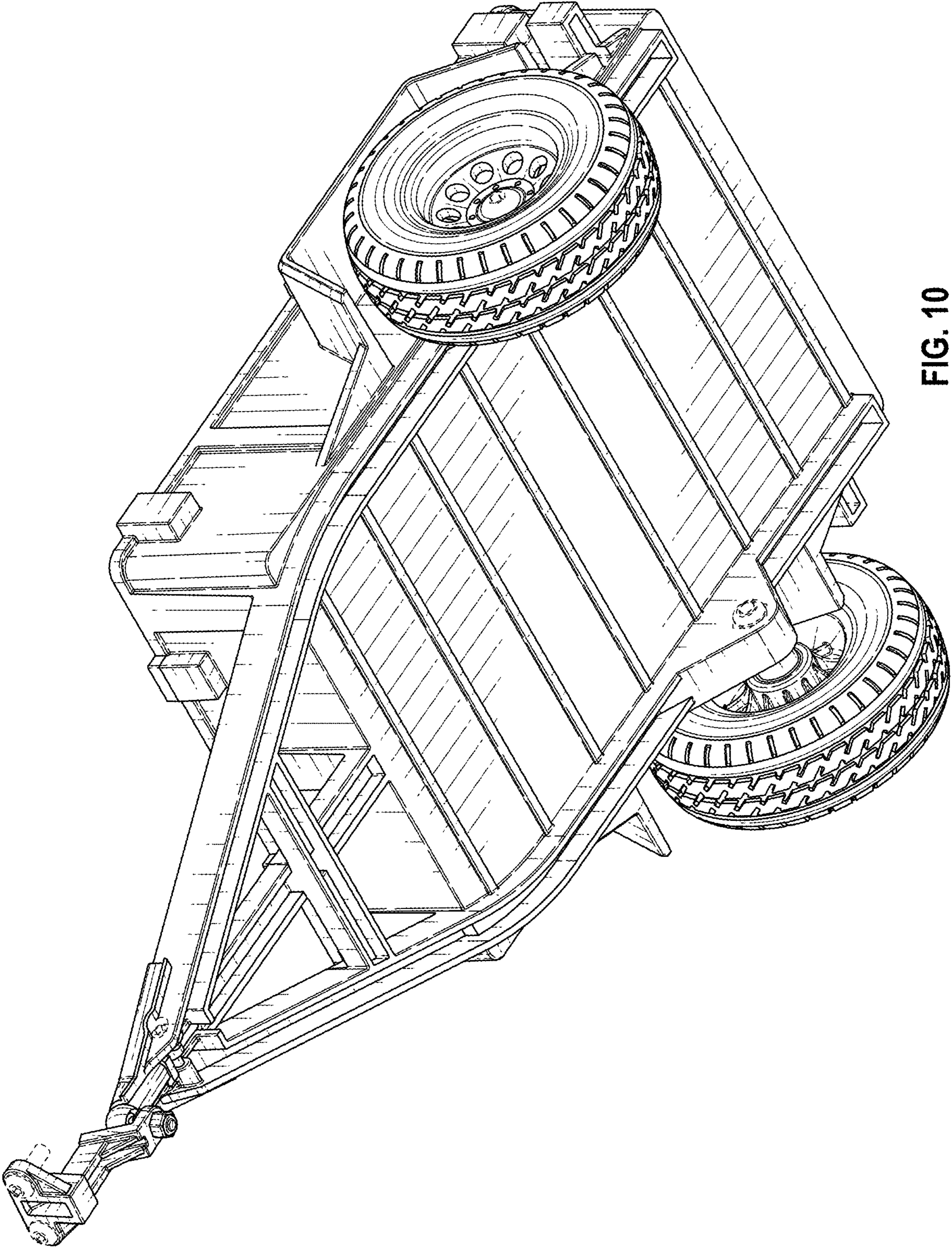


FIG. 10