



US0D1040638S

(12) **United States Design Patent** (10) **Patent No.:** **US D1,040,638 S**
Cong (45) **Date of Patent:** **** Sep. 3, 2024**

(54) **LOCKING BOLT**
(71) Applicant: **Hurav LLC**, Dallas, TX (US)
(72) Inventor: **Lap Truong Cong**, Ho Chi Minh (VN)
(73) Assignee: **Hurav LLC**, Dallas, TX (US)
(**) Term: **15 Years**
(21) Appl. No.: **29/884,219**
(22) Filed: **Feb. 8, 2023**
(51) **LOC (14) Cl.** **08-08**
(52) **U.S. Cl.**
USPC **D8/382**
(58) **Field of Classification Search**
USPC D8/330-332, 341-346, 349, 354, 363,
D8/366, 370, 371, 373, 374, 376, 380,
D8/382, 499
CPC E04B 2002/7483; E04B 2/7425; E04B
2001/389
See application file for complete search history.

5,560,418 A * 10/1996 Kissinger A47G 5/00
160/351
D386,140 S * 11/1997 Pingel D12/217
D397,985 S * 9/1998 Pingel D12/217
6,065,724 A * 5/2000 Arslan A47B 96/06
248/248
8,091,839 B2 * 1/2012 Whipple F16L 3/1211
248/67.7
2016/0305113 A1 * 10/2016 Hatzinikolas E04F 13/0801
* cited by examiner

Primary Examiner — David G Muller
Assistant Examiner — Christina Gabrielle Cosden
(74) *Attorney, Agent, or Firm* — Steven A. Nielsen;
www.NielsenPatents.com

(57) **CLAIM**

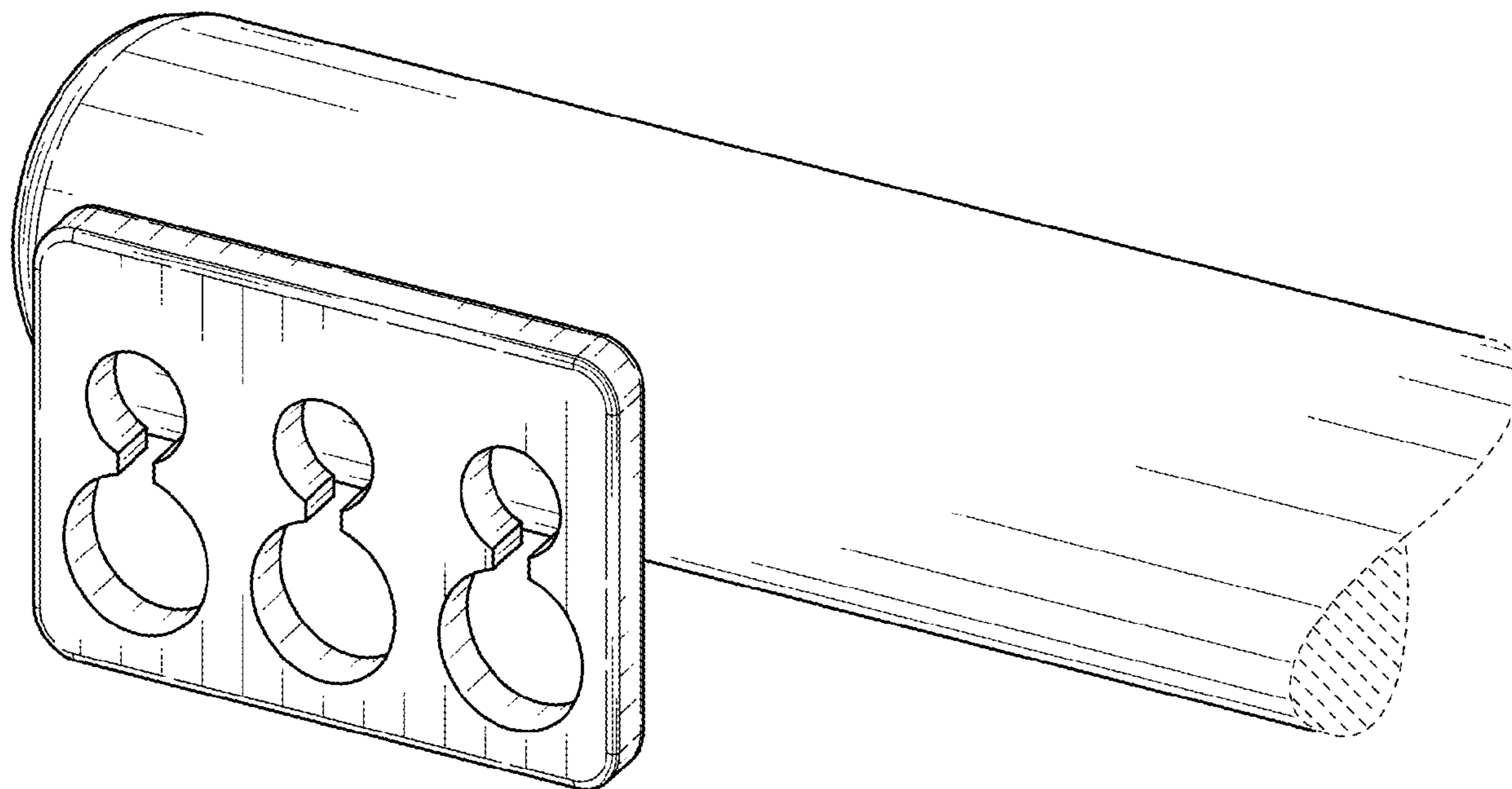
The ornamental design for a locking bolt, as shown and described.

DESCRIPTION

FIG. 1 is a back and top perspective view showing the ornamental design of the claimed locking bolt; FIG. 2 is a front and bottom perspective view thereof; FIG. 3 is a left side view thereof; FIG. 4 is a right side view thereof; FIG. 5 is a front thereof; FIG. 6 is a back view thereof; FIG. 7 is a top view thereof; and, FIG. 8 is a bottom view thereof. The dashed lines depict a symbolic break in the length of the locking bolt and form no part of the claimed design.

1 Claim, 5 Drawing Sheets

(56) **References Cited**
U.S. PATENT DOCUMENTS
3,317,167 A * 5/1967 Becker F16L 3/13
248/301
3,483,434 A * 12/1969 Koertge H02G 3/0418
361/825
3,940,212 A * 2/1976 Gutner F16B 12/14
206/231
4,398,647 A * 8/1983 Ackerman H01R 25/165
439/573
4,632,222 A * 12/1986 Chen E04G 7/26
248/220.22



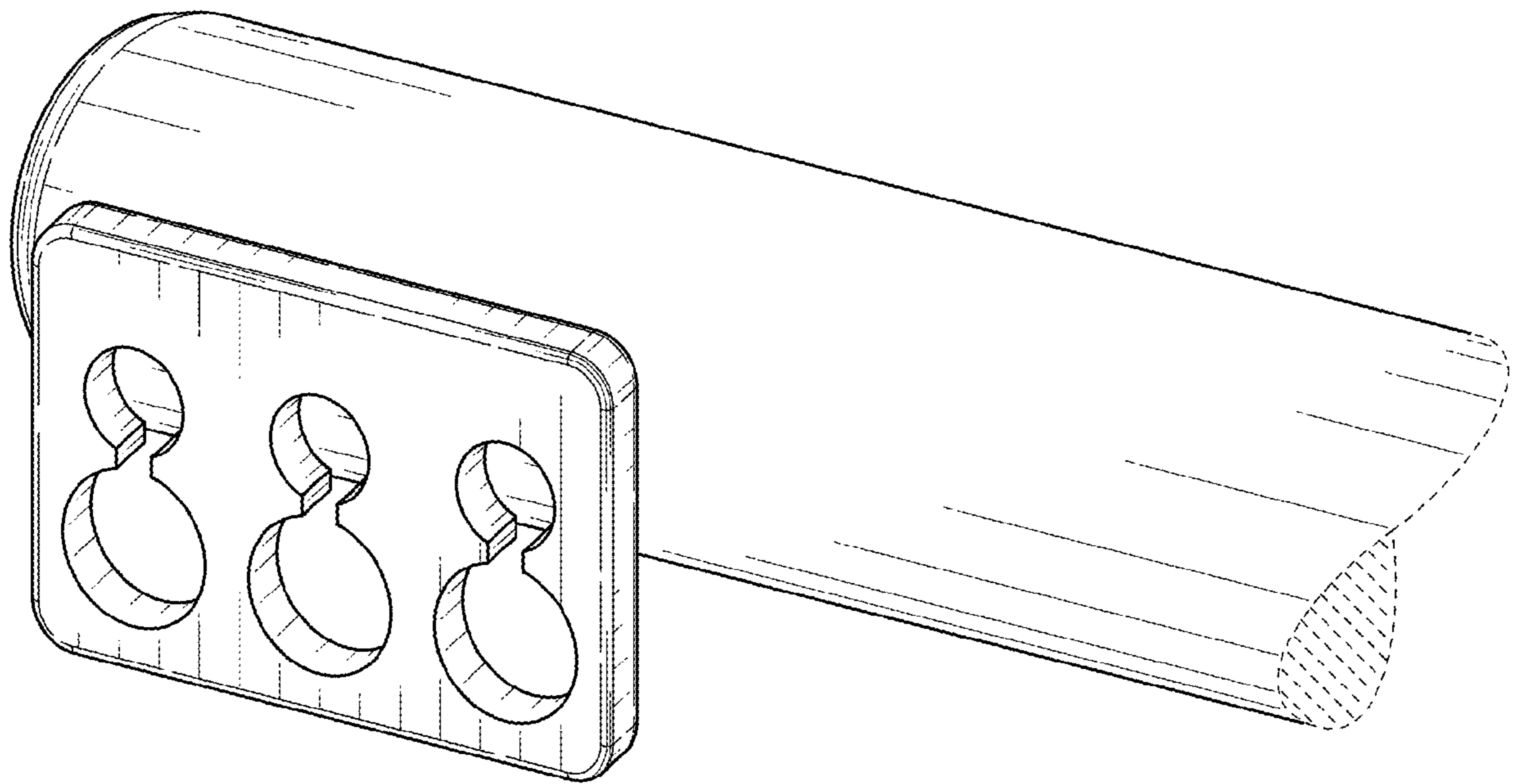


FIG. 1

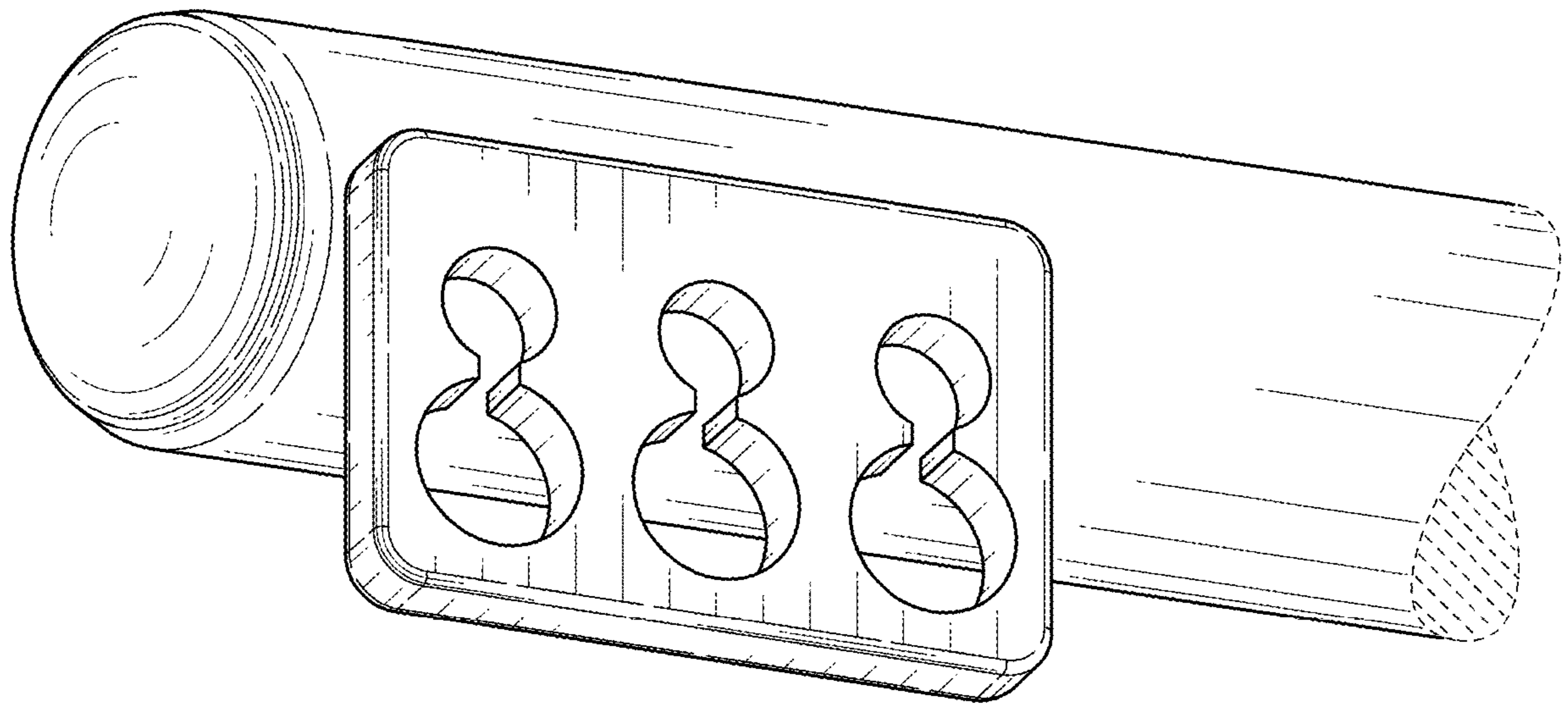


FIG. 2

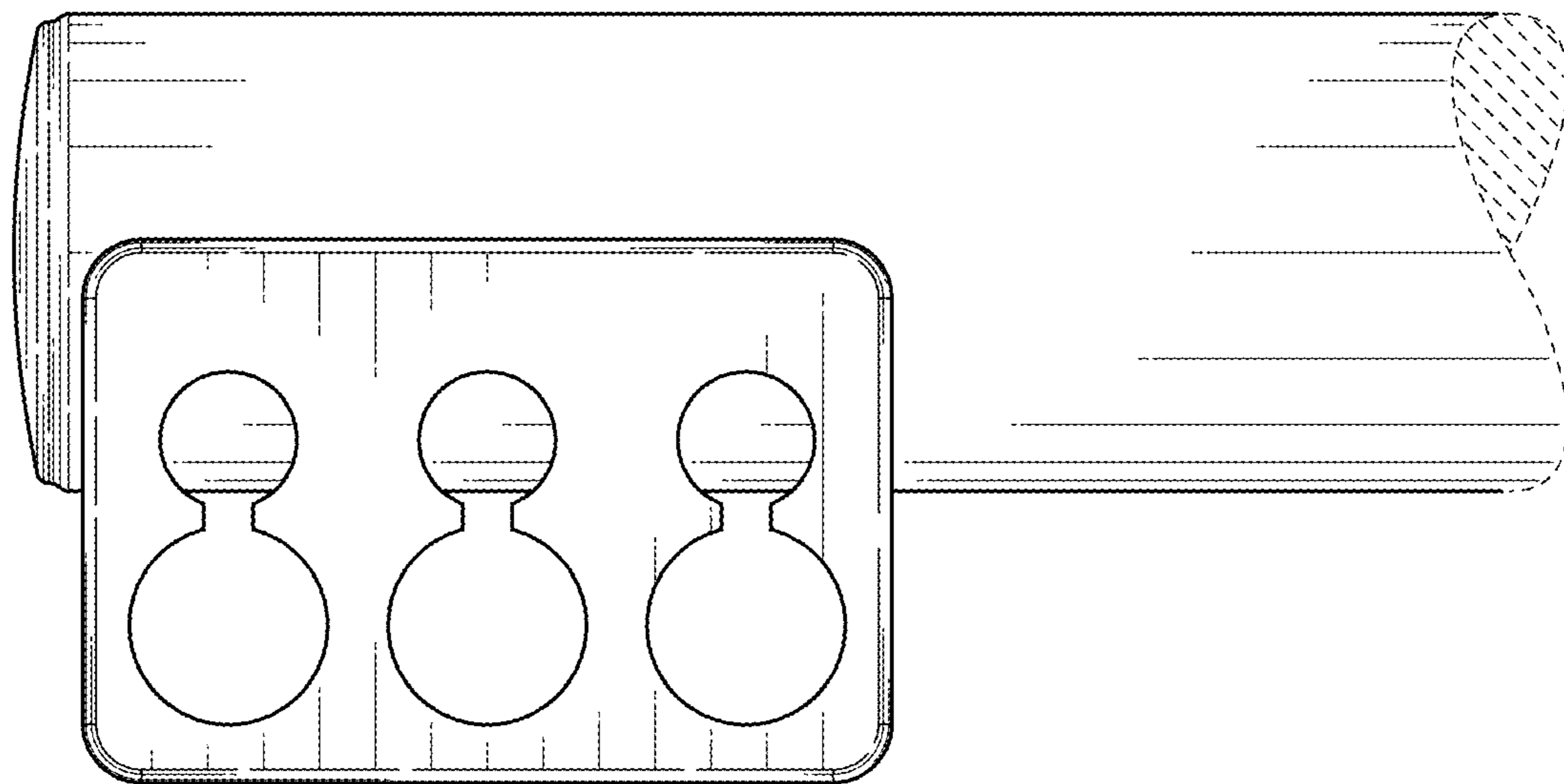


FIG. 3

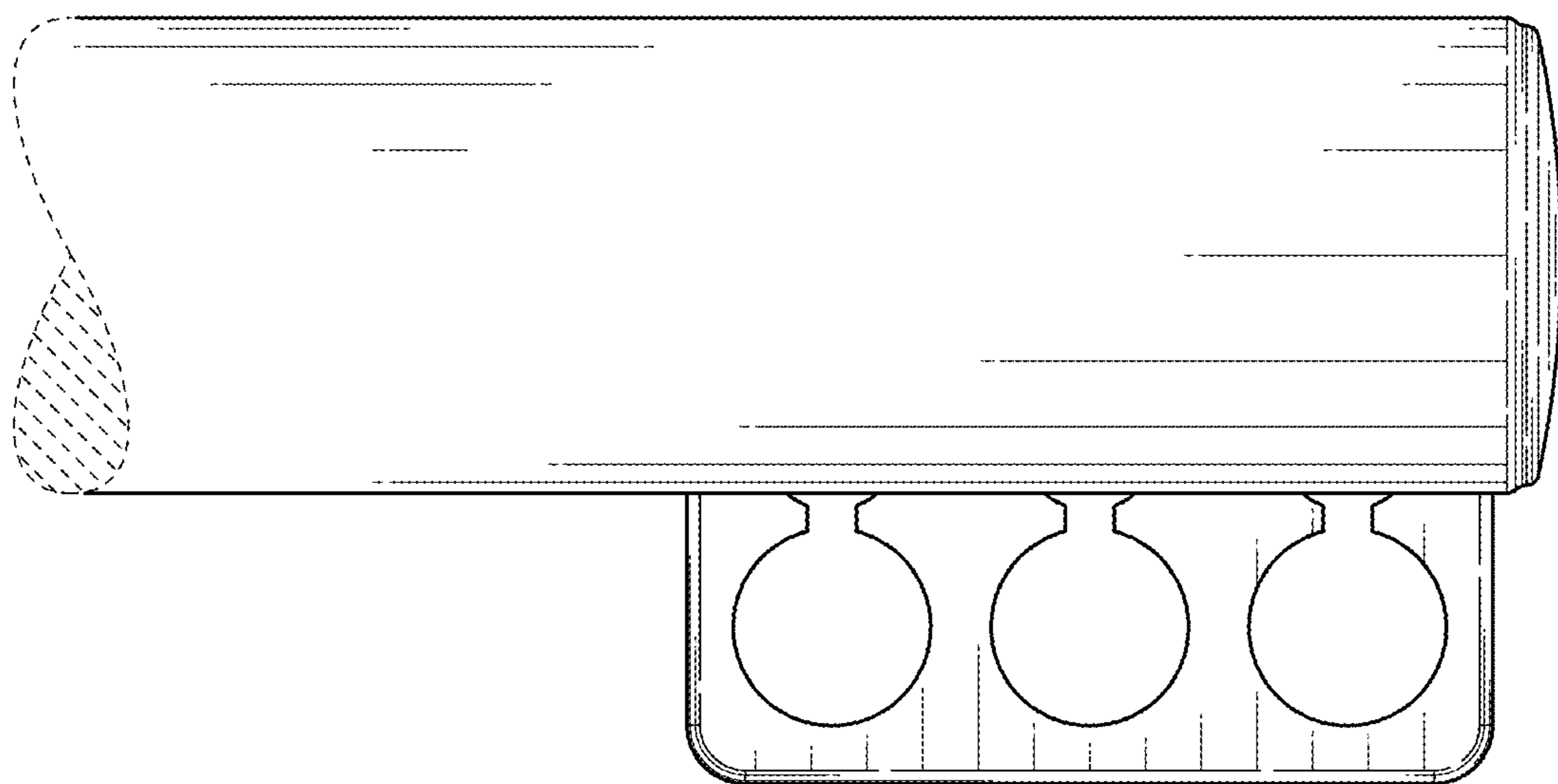


FIG. 4

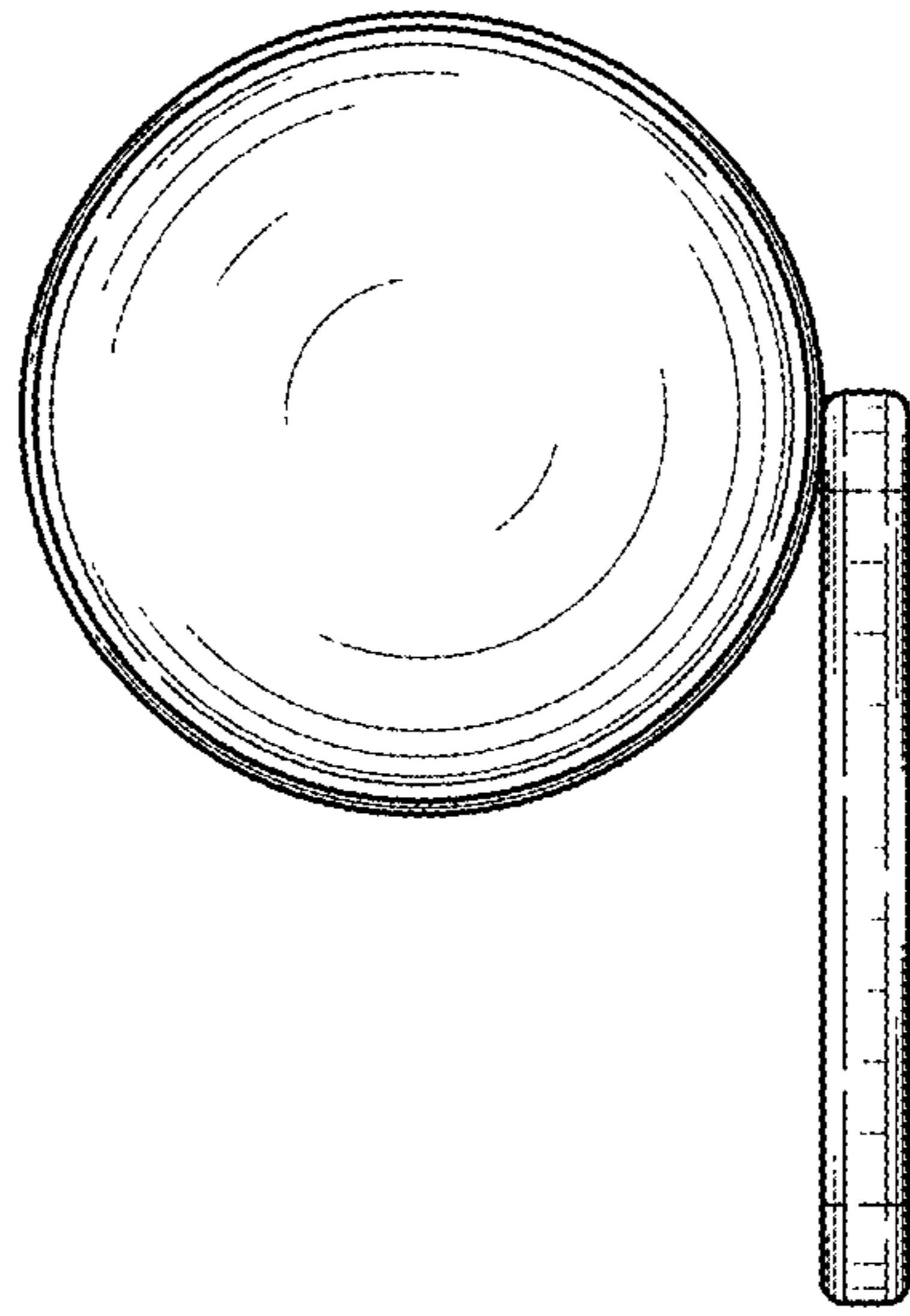


FIG. 5

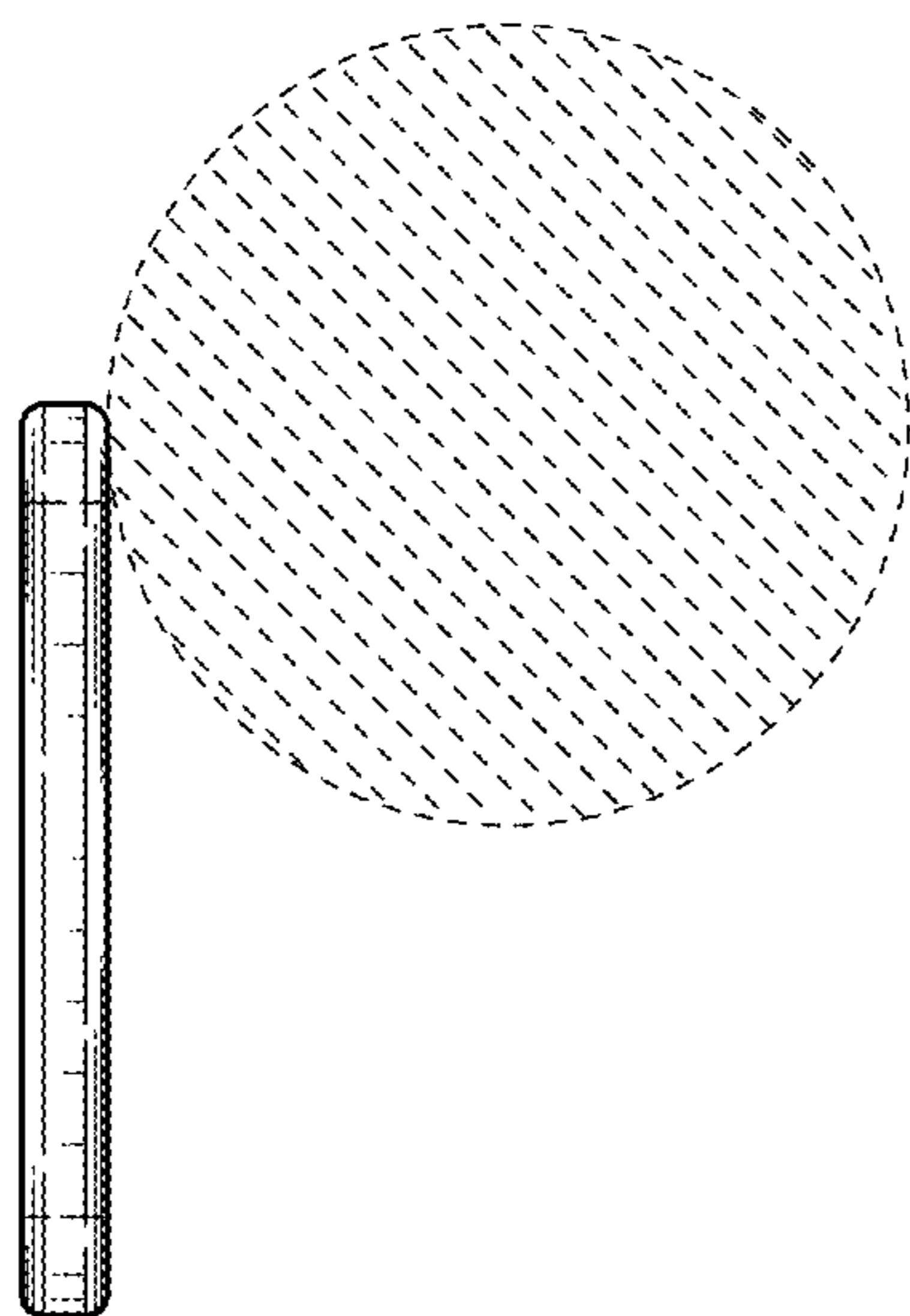


FIG. 6

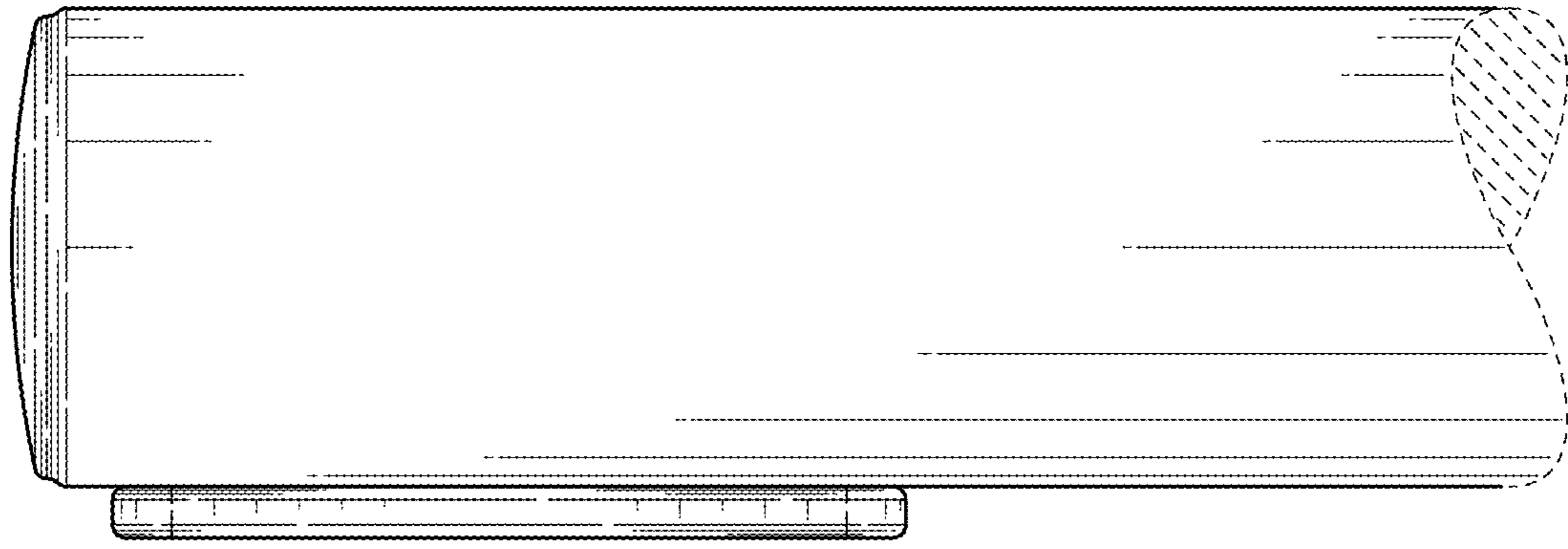


FIG. 7

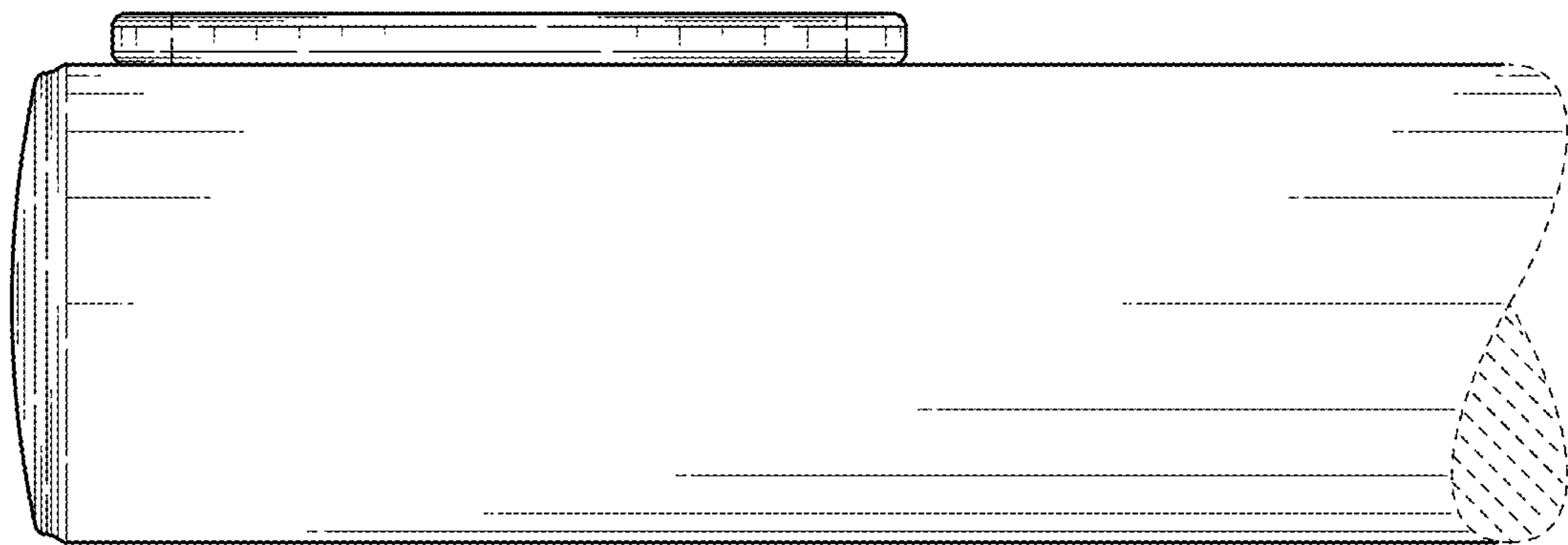


FIG. 8