



US0D1040526S

(12) **United States Design Patent** (10) **Patent No.:** **US D1,040,526 S**  
**Yuan** (45) **Date of Patent:** **\*\* Sep. 3, 2024**

(54) **BOTTLE BRUSH**  
(71) Applicant: **Jun Yuan**, Hubei (CN)  
(72) Inventor: **Jun Yuan**, Hubei (CN)  
(\*\*) Term: **15 Years**  
(21) Appl. No.: **29/940,079**  
(22) Filed: **Apr. 30, 2024**  
(51) **LOC (14) Cl.** ..... **04-99**  
(52) **U.S. Cl.**  
USPC ..... **D4/125**  
(58) **Field of Classification Search**  
USPC ..... D4/125, 124, 128, 114, 133, 199, 106,  
D4/132, 131; D32/42; D28/63  
CPC ..... A46B 9/02; A46B 5/0095; B67B 3/18  
See application file for complete search history.

7,017,222 B2 \* 3/2006 Dunn ..... A46B 5/0095  
D4/106  
D594,233 S \* 6/2009 Cook ..... D4/114  
D694,018 S \* 11/2013 Williams ..... D4/128  
D784,024 S \* 4/2017 Jun ..... D4/128  
D784,025 S \* 4/2017 Jun ..... D4/128  
D825,932 S \* 8/2018 Jun ..... D4/128  
D927,196 S \* 8/2021 Rodriguez ..... D4/133  
D928,513 S \* 8/2021 Bursley ..... D4/124  
D934,570 S \* 11/2021 Bram ..... D4/132  
D990,894 S \* 7/2023 Yang ..... D4/133

\* cited by examiner

*Primary Examiner* — Rhea Shields

(57) **CLAIM**

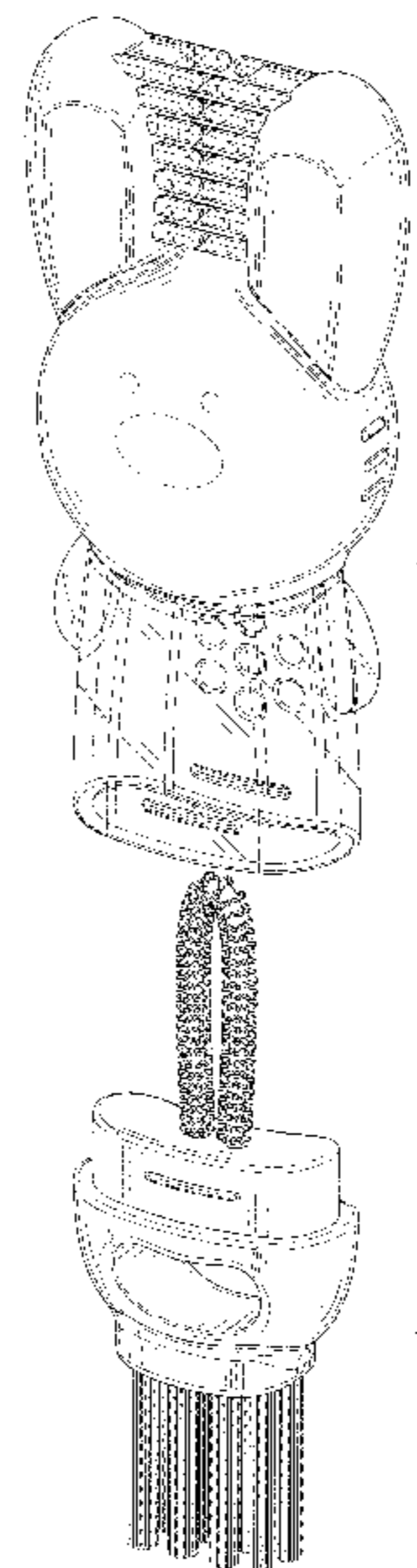
The ornamental design for a bottle brush, as shown and described.

**DESCRIPTION**

FIG. 1 is a front, top perspective view of a bottle brush, showing my new design;  
FIG. 2 is a rear, bottom perspective view thereof;  
FIG. 3 is a front elevation view thereof;  
FIG. 4 is a rear elevation view thereof;  
FIG. 5 is a left side elevation view thereof;  
FIG. 6 is a right side elevation view thereof;  
FIG. 7 is a top plan view thereof;  
FIG. 8 is a bottom plan view thereof;  
FIG. 9 is an enlarged view of detail “9” identified in FIG. 2;  
FIG. 10 is an exploded view of the bottle brush;  
FIG. 11 is a rear, bottom perspective view thereof;  
FIG. 12 is another exploded view of the bottle brush; and,  
FIG. 13 is a rear, bottom perspective view thereof.  
The dashed broken lines in the figures illustrate portions of the bottle brush that form no part of the claimed design. The dash dot dash broken lines in FIGS. 2 and 9 are for the purpose of illustrating the enlarged view indicators and form no part of the claimed design.

(56) **References Cited**  
U.S. PATENT DOCUMENTS  
D30,728 S \* 5/1899 Hoke ..... D4/132  
D147,537 S \* 9/1947 Daniels ..... D4/125  
2,669,740 A \* 2/1954 Main ..... B67B 3/18  
222/521  
2,671,914 A \* 3/1954 Rucker ..... A46B 13/04  
74/32  
4,826,340 A \* 5/1989 Rothweiler ..... A46B 7/04  
401/207  
D336,160 S \* 6/1993 Shumway ..... D28/63  
D356,443 S \* 3/1995 Willis ..... D32/42  
5,621,941 A \* 4/1997 Liu ..... A46B 9/02  
15/160  
D404,574 S \* 1/1999 Hansen ..... D4/125  
6,047,432 A \* 4/2000 Sode ..... A46B 9/02  
D4/131  
D438,013 S \* 2/2001 Hay ..... D4/114  
D461,315 S \* 8/2002 Stephan ..... D4/125  
D477,917 S \* 8/2003 Giacolo ..... D4/114  
D489,536 S \* 5/2004 Dunn ..... D4/131  
D489,903 S \* 5/2004 Dunn ..... D4/128

**1 Claim, 13 Drawing Sheets**



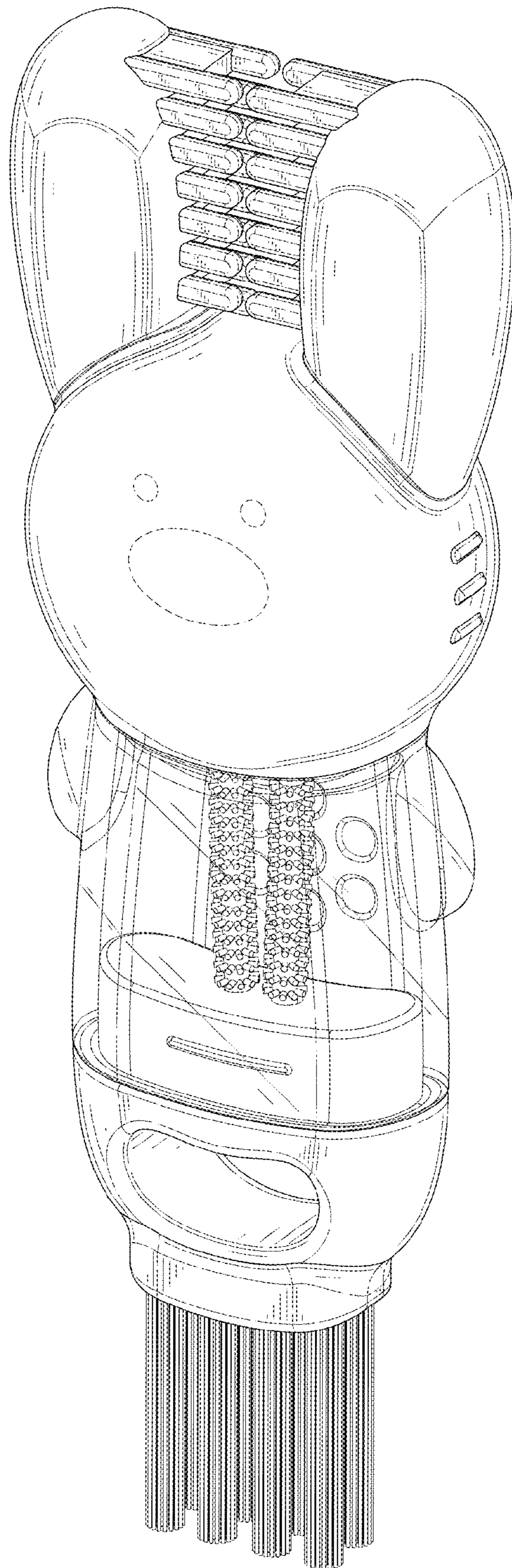


FIG. 1



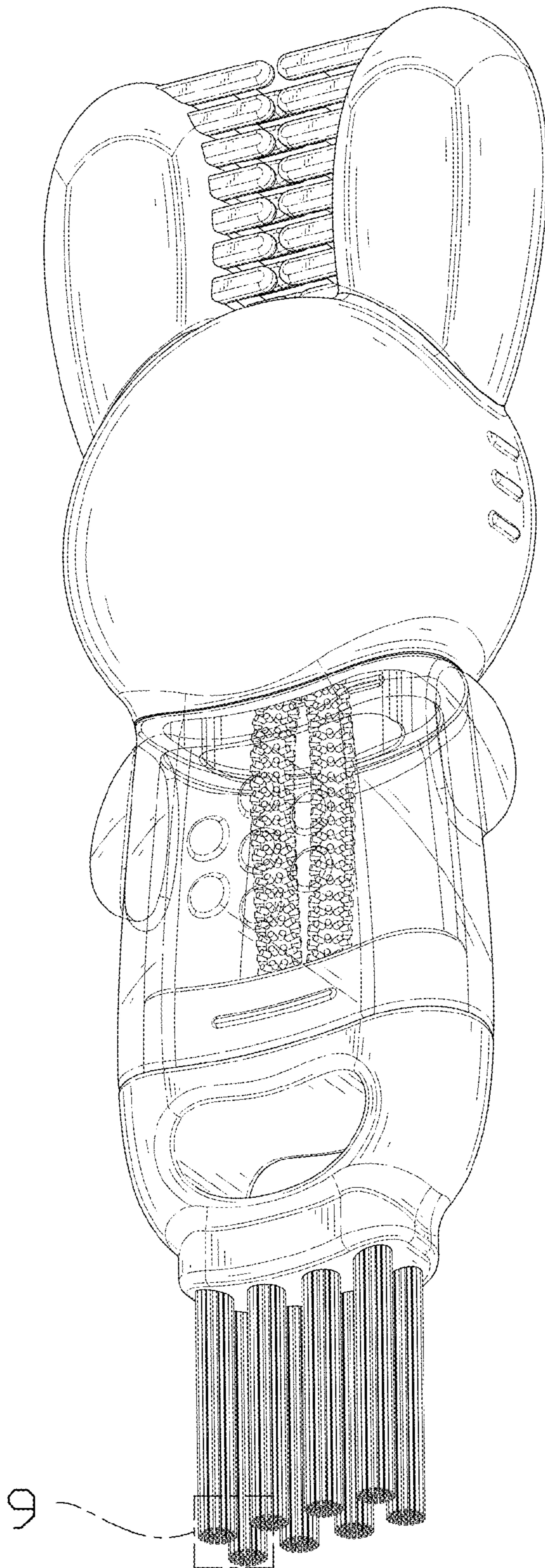


FIG. 2

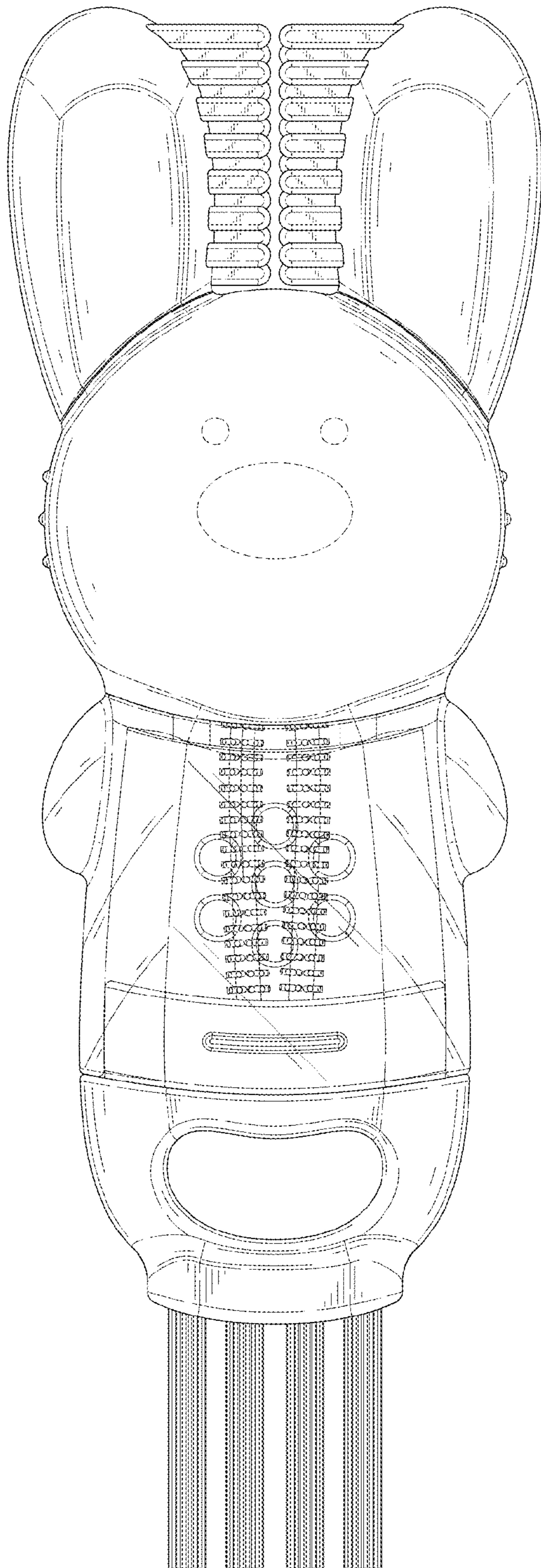


FIG. 3

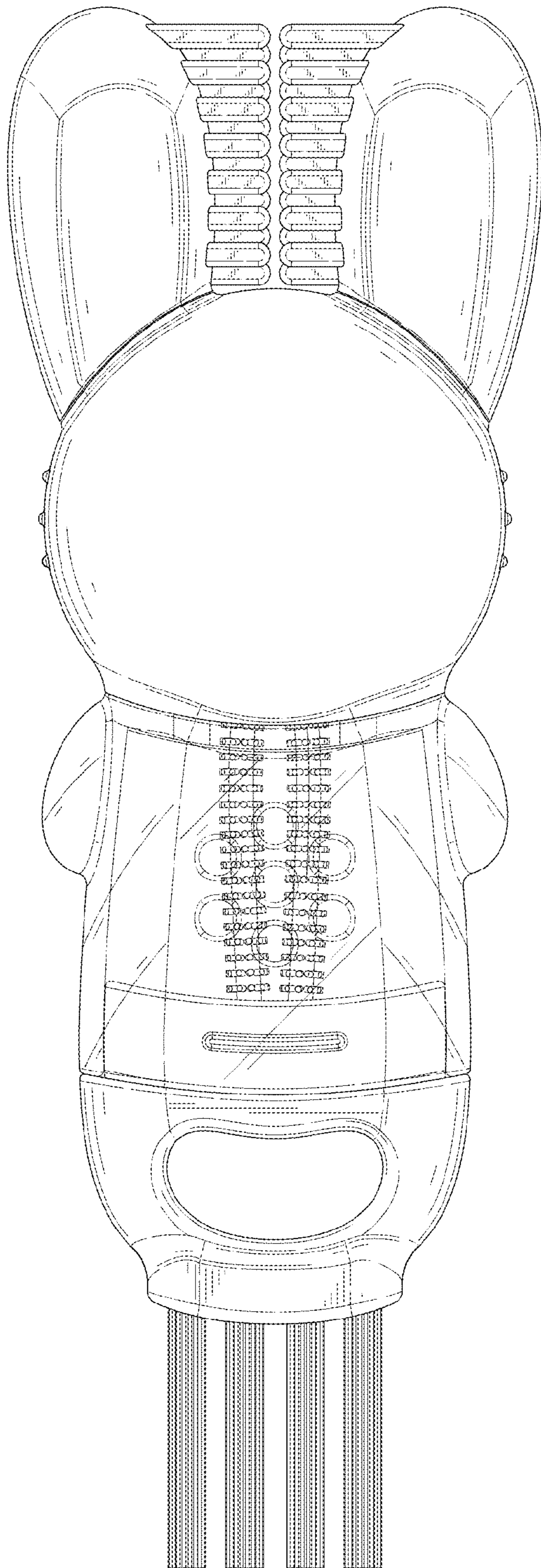


FIG. 4



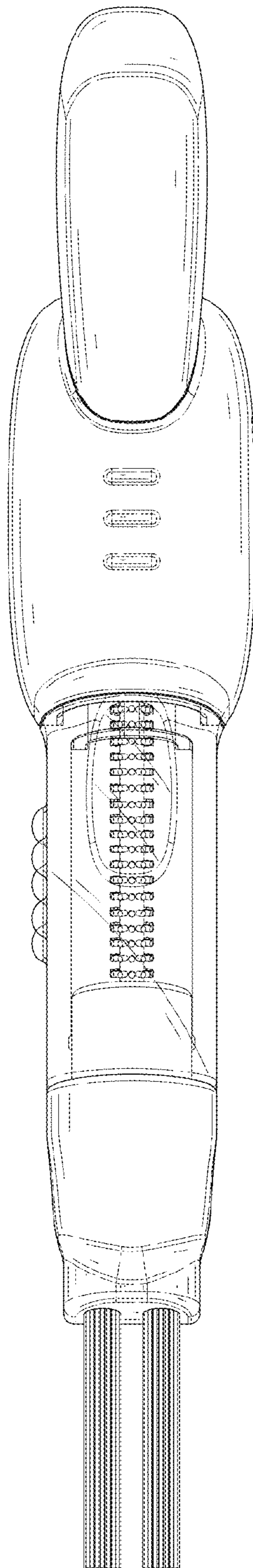


FIG. 5

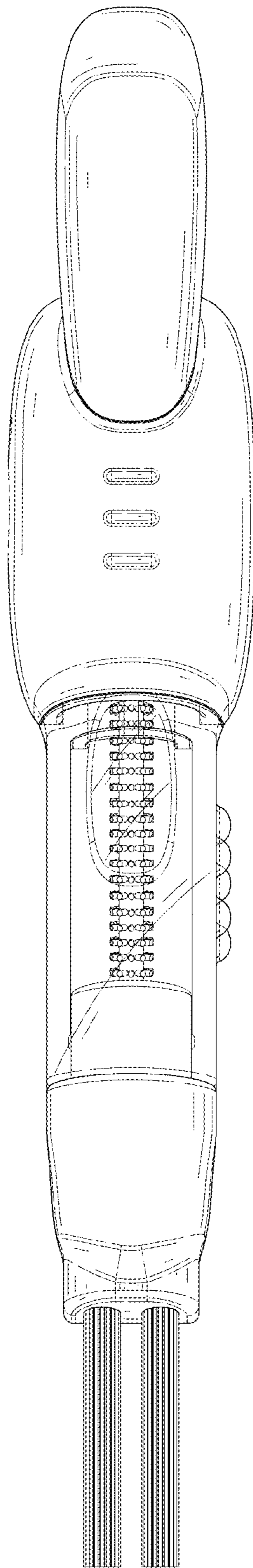


FIG. 6

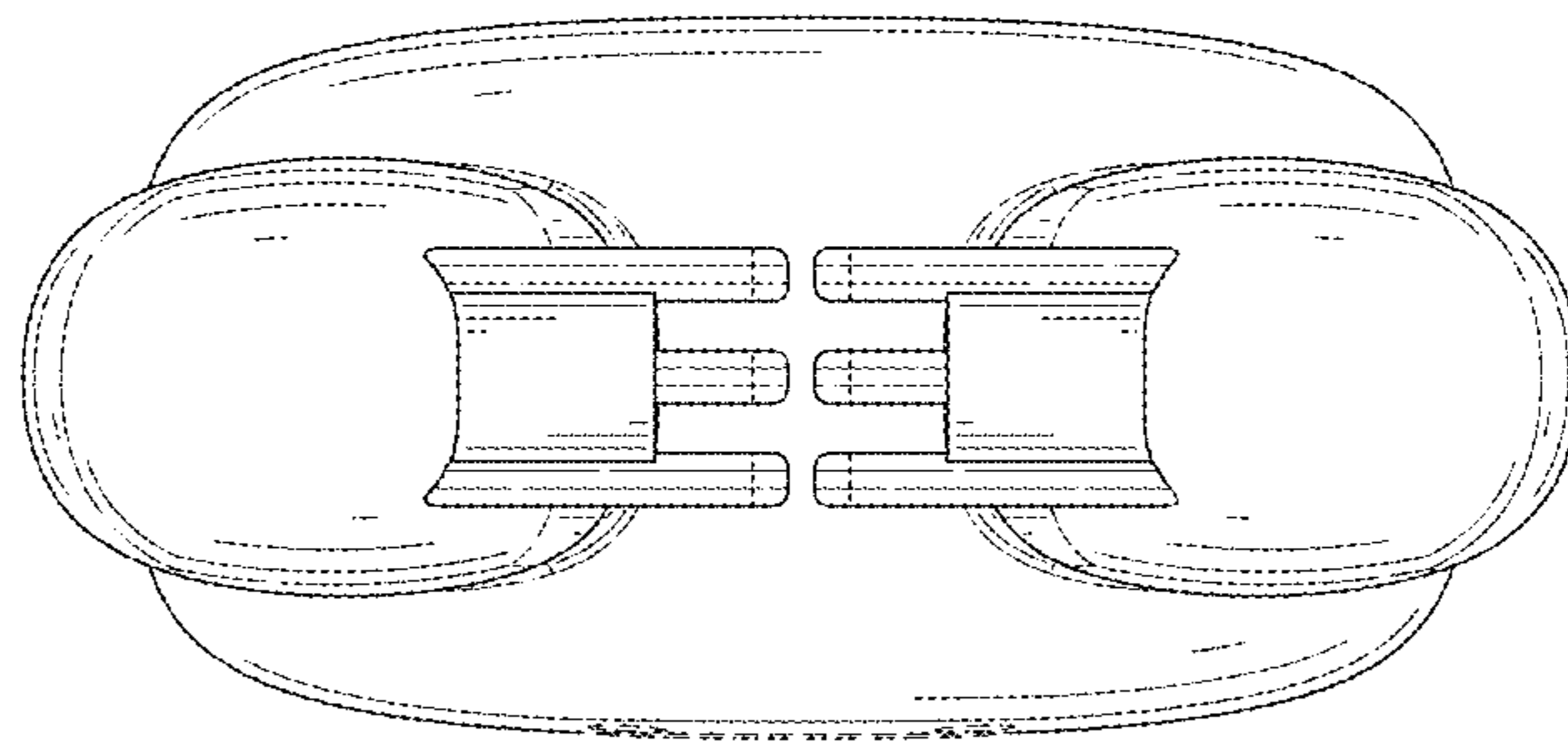


FIG. 7



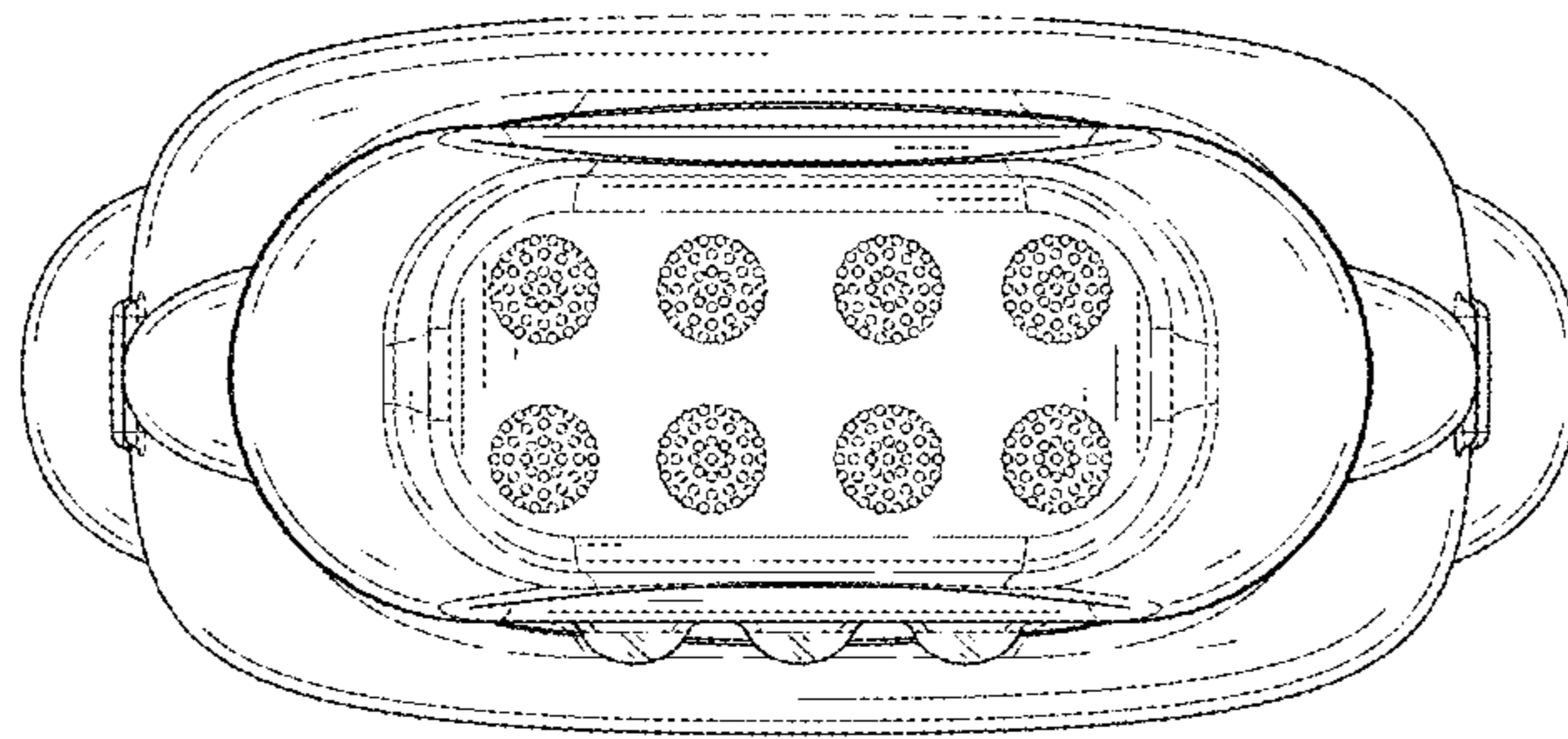


FIG. 8

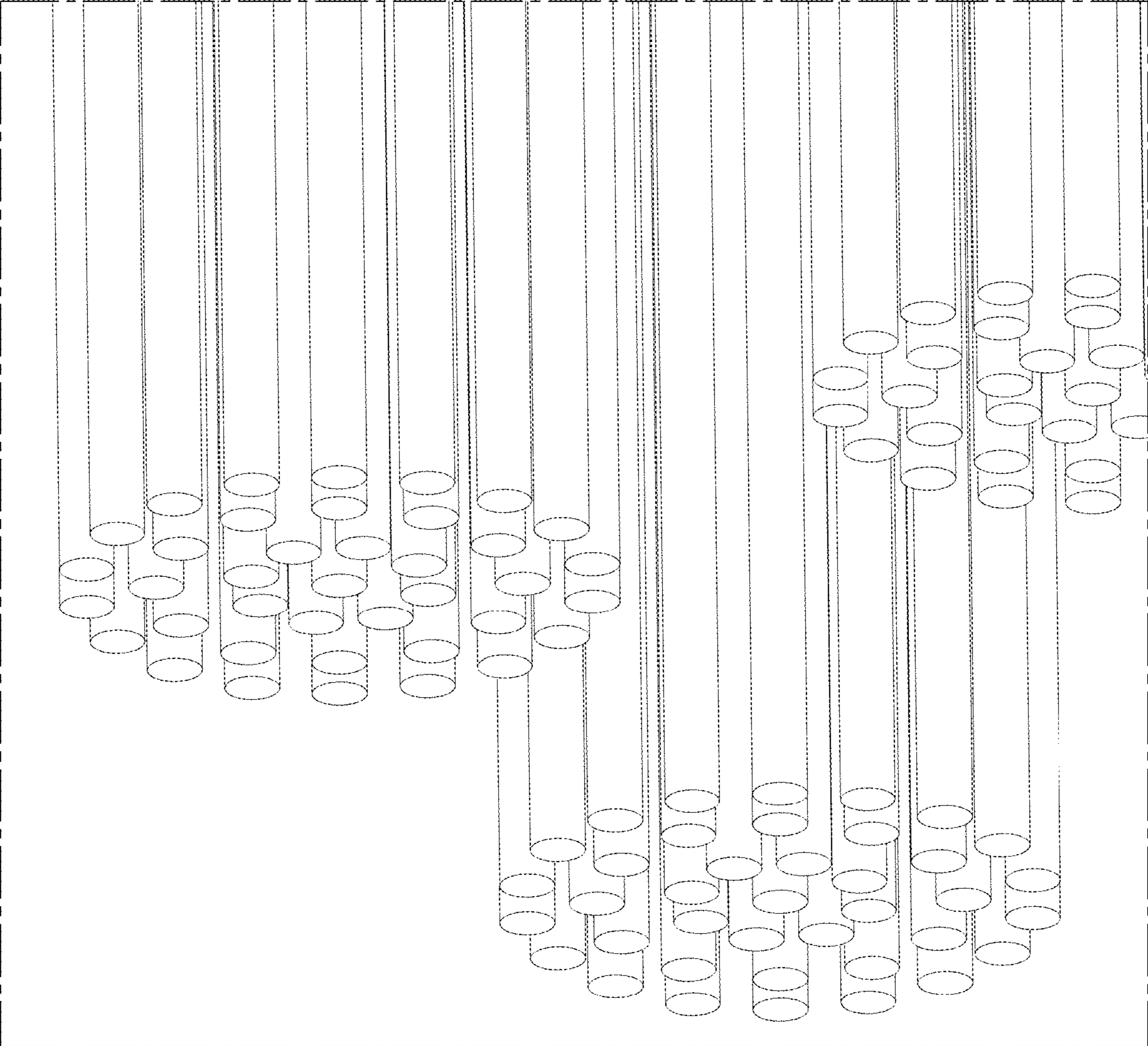


FIG. 9

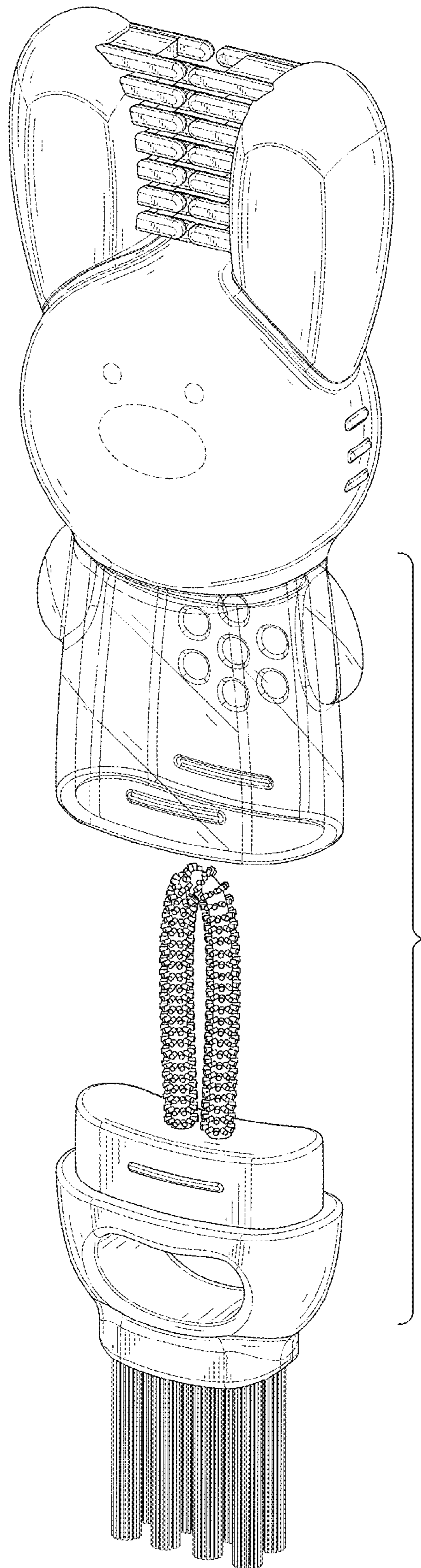


FIG. 10

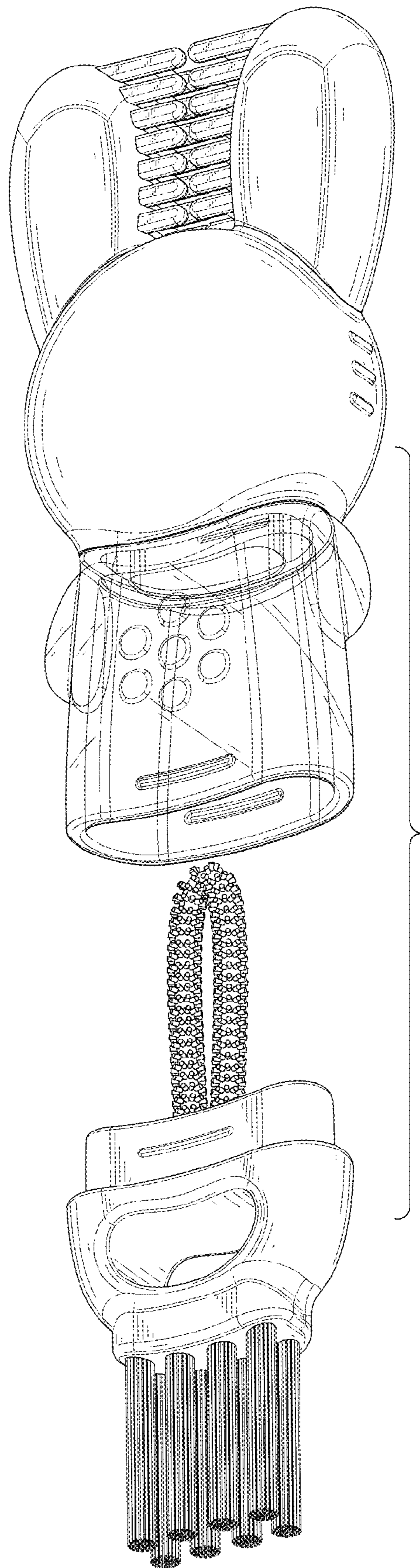


FIG. 11



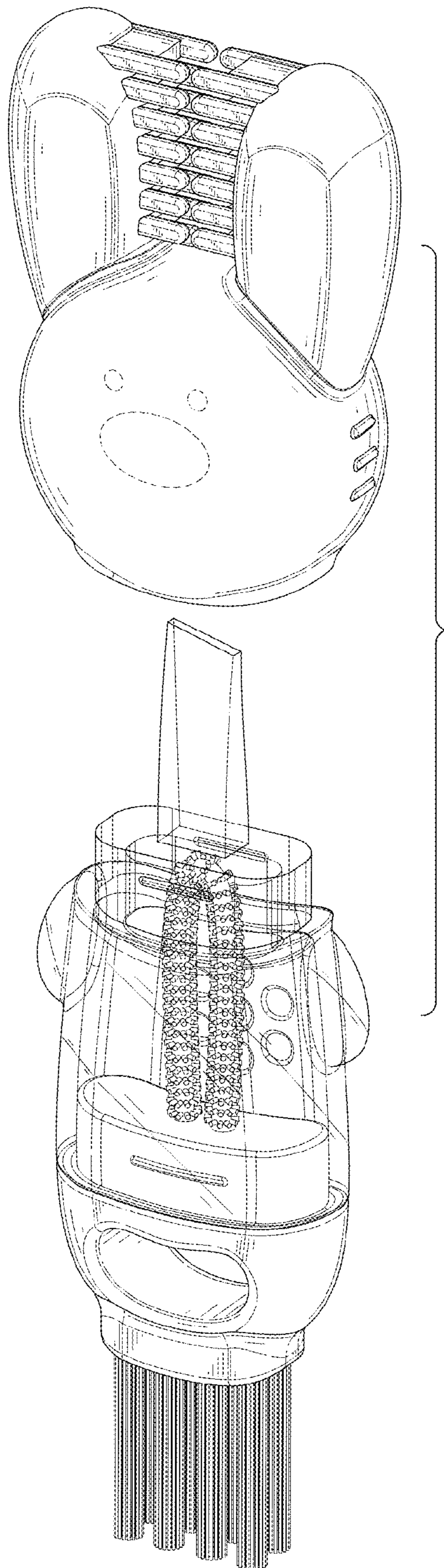


FIG. 12

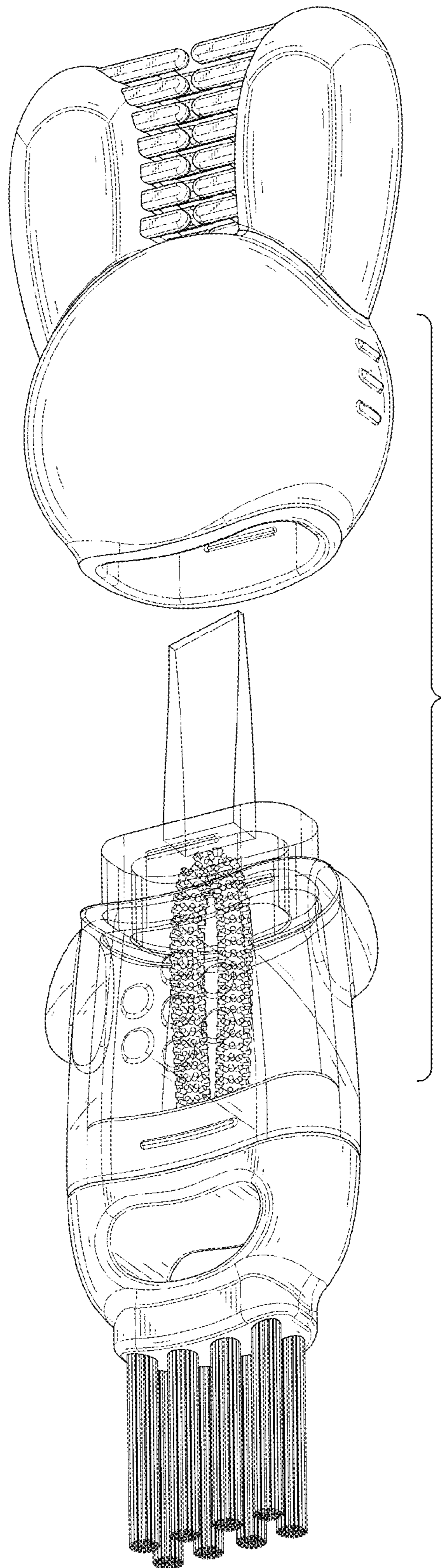


FIG. 13