



US0D1040407S

(12) **United States Design Patent** (10) **Patent No.:** **US D1,040,407 S**
Zhang (45) **Date of Patent:** **** Aug. 27, 2024**

- (54) **LAMP**
- (71) Applicant: **Yao Zhang**, Xiaogan (CN)
- (72) Inventor: **Yao Zhang**, Xiaogan (CN)
- (**) Term: **15 Years**
- (21) Appl. No.: **29/831,729**
- (22) Filed: **Mar. 22, 2022**
- (51) **LOC (14) Cl.** **26-05**
- (52) **U.S. Cl.**
USPC **D26/72**
- (58) **Field of Classification Search**
USPC D26/24, 25, 37, 39, 42, 46, 55, 60, 61,
D26/64, 72, 74, 75, 76, 77, 79, 80, 81,
D26/82, 83, 84, 85, 88, 89, 90, 120, 127
CPC F21V 21/10; F21V 21/14; F21V 19/008;
F21V 23/0442; F21V 23/0471; F21V
23/0485; F21Y 2103/00; F21Y 2103/10;
F21Y 2105/16; F21W 2131/109; F21W
2131/301; A01G 7/045; A01G 9/249;
F21S 4/00; F21S 4/28; F21S 8/00; F21S
8/02; F21S 8/024; F21S 8/026; F21S
8/03; F21S 8/031; F21S 8/033; F21S
8/04; F21S 8/06; F21S 8/061
See application file for complete search history.

- D957,020 S * 7/2022 Yang D26/60
- D977,696 S * 2/2023 Feng D26/72
- D979,120 S * 2/2023 Zhang D26/76
- D984,713 S * 4/2023 Liu D26/72

OTHER PUBLICATIONS

BLS LED Closet Light, first available Sep. 5, 2019, amazon.com, [online], [site visited Aug. 4, 2023], Available from internet URL: https://www.amazon.com/Operated-BLS-T401-Wireless-Rechargeable/dp/B07Y2YLS29/ref=sr_1_292_sspa?crd=1QDUWGX3KAD1E&keywords=cab%E2%80%A6&th=1 (Year: 2019).*

Lofter-pro Motion Sensor Light, first available May 9, 2022, amazon.com, [online], [site visited Aug. 4, 2023], Available from internet URL: https://www.amazon.com/3200mAh-Battery-Rechargeable-Wardrobe-Lighting/dp/B09Y1PCPV5/ref=sr_1_56?crd=1UENN5DRH7QY2&keywords=sen%E2%80%A6&th=1 (Year: 2022).*

* cited by examiner

Primary Examiner — Angela J Lee
Assistant Examiner — Audris Park
 (74) *Attorney, Agent, or Firm* — True Shepherd LLC;
 Andrew C. Cheng

(57) **CLAIM**

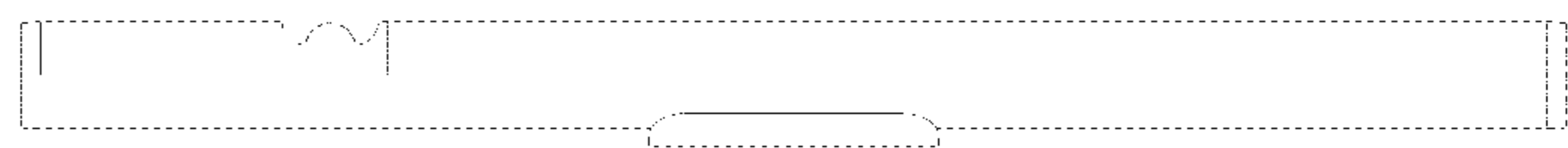
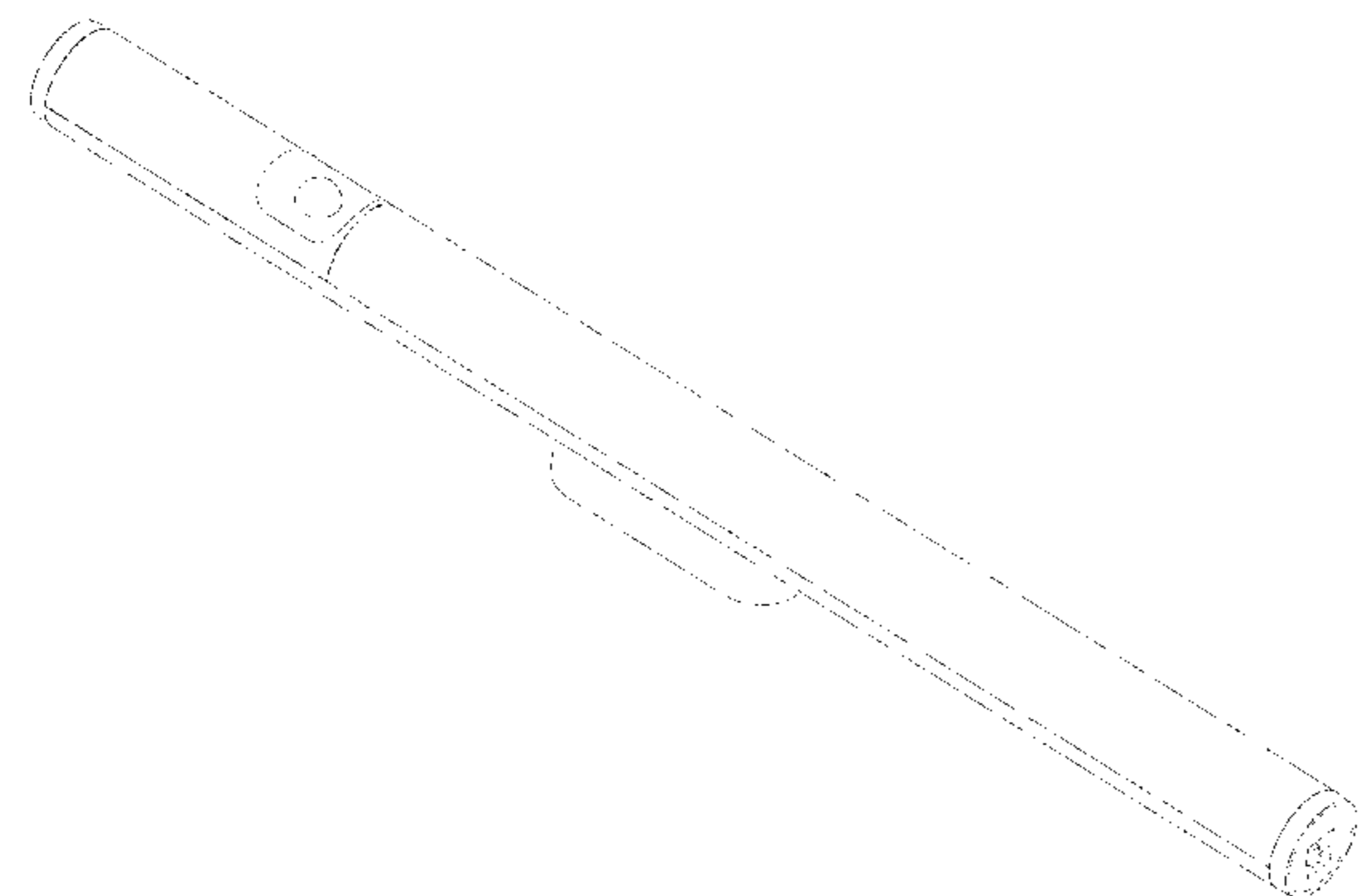
The ornamental design for a lamp, as shown and described.

DESCRIPTION

FIG. 1 is a perspective view of a lamp showing my new design;
 FIG. 2 is a front view thereof;
 FIG. 3 is a rear view thereof;
 FIG. 4 is a left side view thereof;
 FIG. 5 is a right side view thereof;
 FIG. 6 is a top plan view thereof; and,
 FIG. 7 is a bottom plan view thereof.
 The broken lines in the drawings illustrate portions of the lamp that form no part of the claimed design.

1 Claim, 7 Drawing Sheets

- (56) **References Cited**
- U.S. PATENT DOCUMENTS
- D425,234 S * 5/2000 Marier D26/78
 - D550,885 S * 9/2007 Crosby D26/78
 - D613,897 S * 4/2010 Thun D26/88
 - D732,718 S * 6/2015 Amrine, Jr. D26/3
 - D733,942 S * 7/2015 Chen D26/3
 - D778,481 S * 2/2017 Galloppa D26/68
 - D819,868 S * 6/2018 Qiao D26/87
 - D851,805 S * 6/2019 Chen D26/76
 - D907,276 S * 1/2021 Jiang D26/87
 - D930,217 S * 9/2021 Johnson D26/85
 - D936,263 S * 11/2021 Yang D26/60
 - D949,453 S * 4/2022 Zhang D26/72



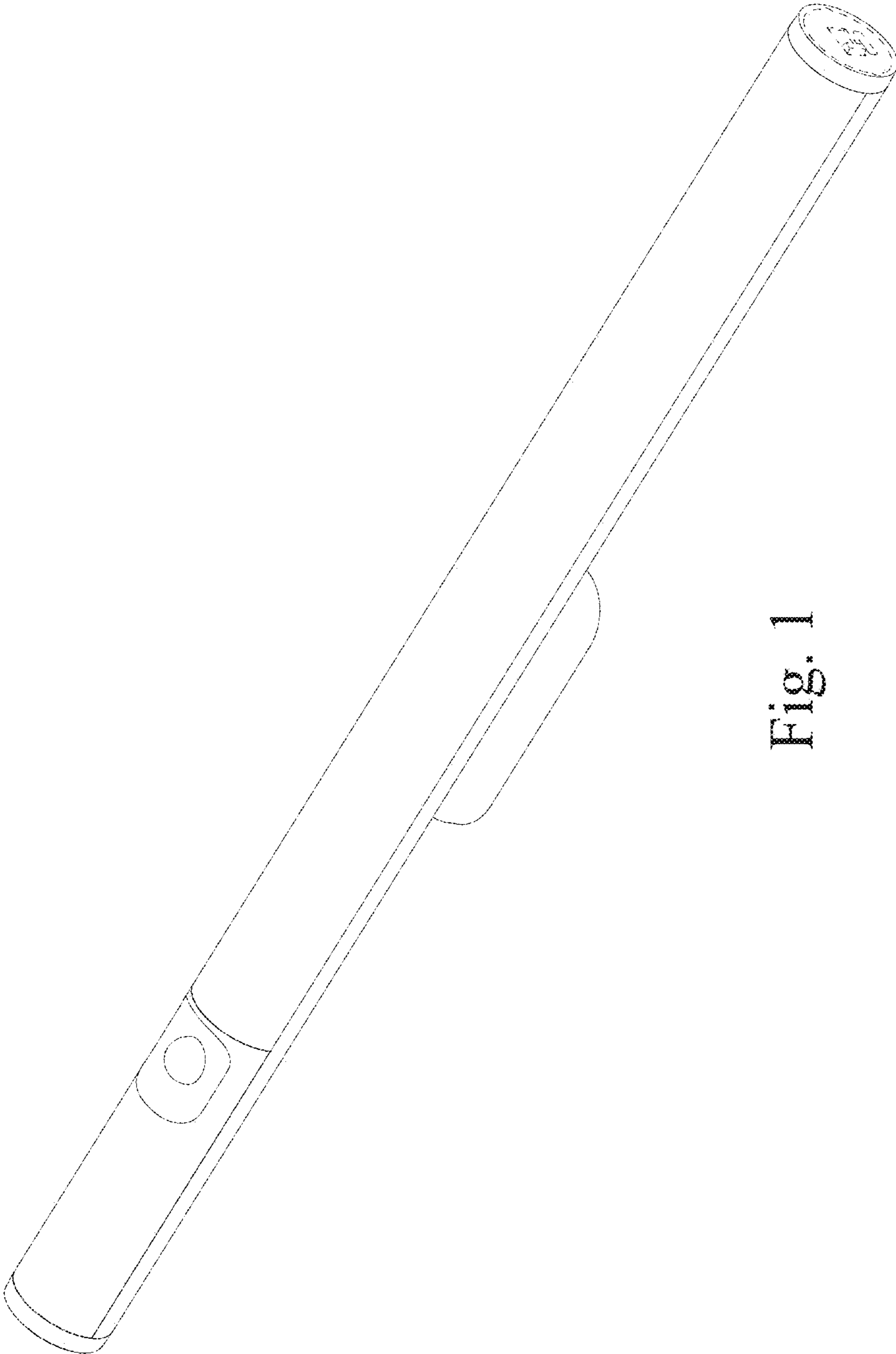


Fig. 1

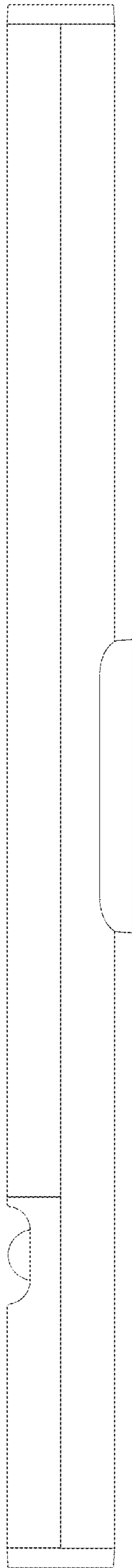


Fig. 2

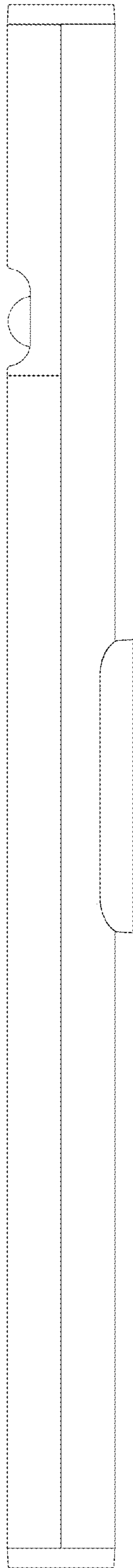


Fig. 3

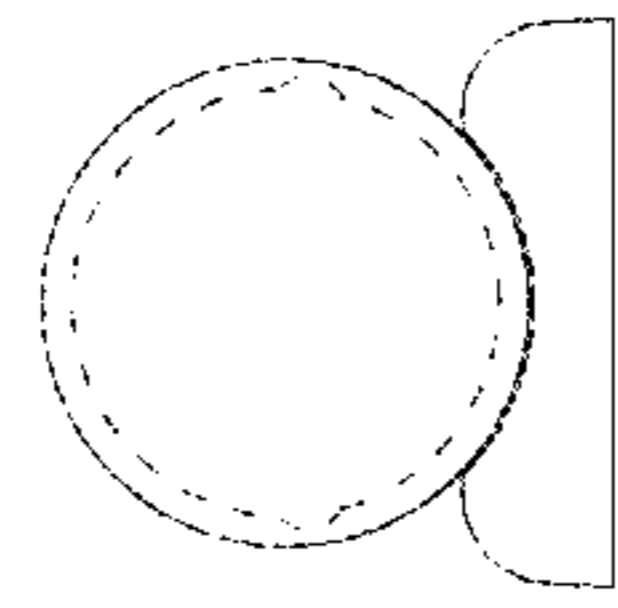


Fig. 4

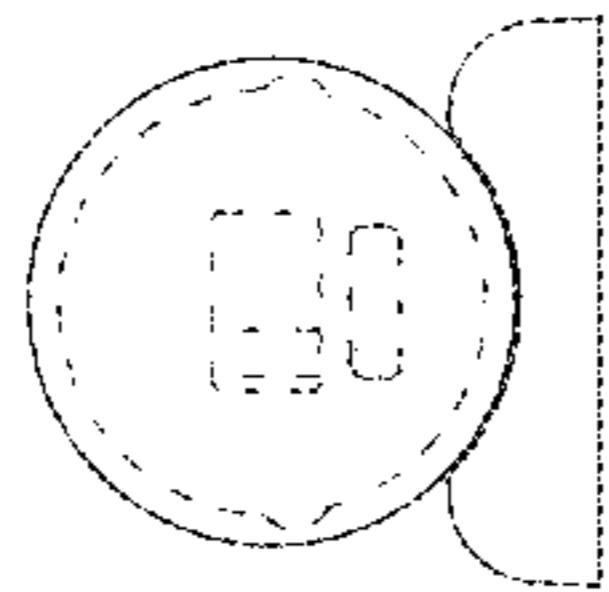


Fig. 5

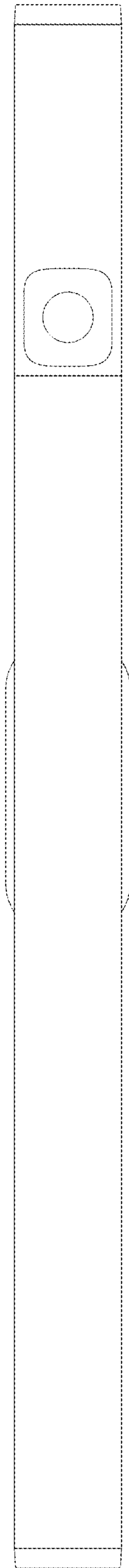


Fig. 6

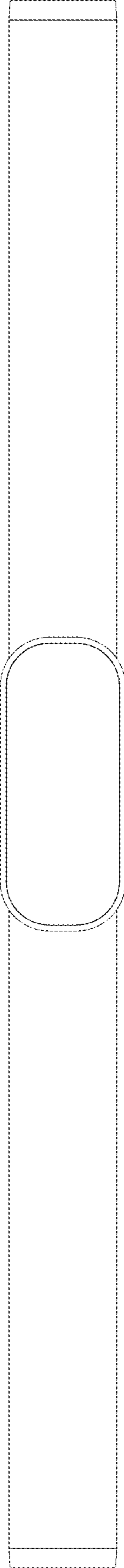


Fig. 7