



US0D1040353S

(12) **United States Design Patent** (10) **Patent No.:** **US D1,040,353 S**
Phillips-Tanchuico et al. (45) **Date of Patent:** **** Aug. 27, 2024**

(54) **KIOSK**
(71) Applicant: **Everyplace Labs, Inc.**, Chicago, IL (US)
(72) Inventors: **Nicholas Daniel Phillips-Tanchuico**, Clearwater, FL (US); **Sergio Marquina**, Austin, TX (US); **Prasanth Bijjam**, Schaumburg, IL (US); **Michael Tu**, Plano, TX (US)
(73) Assignee: **Everyplace Labs, Inc.**, Chicago, IL (US)

D328,793 S * 8/1992 Holbl D24/216
D358,895 S * 5/1995 Holbl D24/216
D381,749 S * 7/1997 Lawrence D24/186
D399,152 S * 10/1998 Manos D10/75
D403,259 S * 12/1998 Tsubota D10/78
D406,887 S * 3/1999 Lanza D24/107
D418,596 S * 1/2000 Doms D24/231

(Continued)

FOREIGN PATENT DOCUMENTS

WO 2018237265 A1 12/2018
WO 2020139577 A1 7/2020
WO 2021243087 A1 12/2021

OTHER PUBLICATIONS

A4 Printing Kiosk for Hospital Diagnostic Report Output. [site visited Apr. 4, 2024]. Available from Internet. URL: <https://sunson.en.made-in-china.com/product/gwYGmTQKOVRF/China-A4-Printing-Kiosk-for-Hospital-Diagnostic-Report-Output.html> (Year: 2024).*

(Continued)

Primary Examiner — T Chase Nelson
Assistant Examiner — Kelly L Gross
(74) *Attorney, Agent, or Firm* — McDonnell Boehnen Hulbert & Berghoff LLP

(57) **CLAIM**

The ornamental design for a kiosk, as shown and described.

DESCRIPTION

FIG. 1 is an embodiment of a kiosk in a perspective view; FIG. 2 is a front view thereof; FIG. 3 is a back view thereof; FIG. 4 is a left side thereof; FIG. 5 is a right side view thereof; FIG. 6 is a top view thereof; and, FIG. 7 is a bottom view thereof.

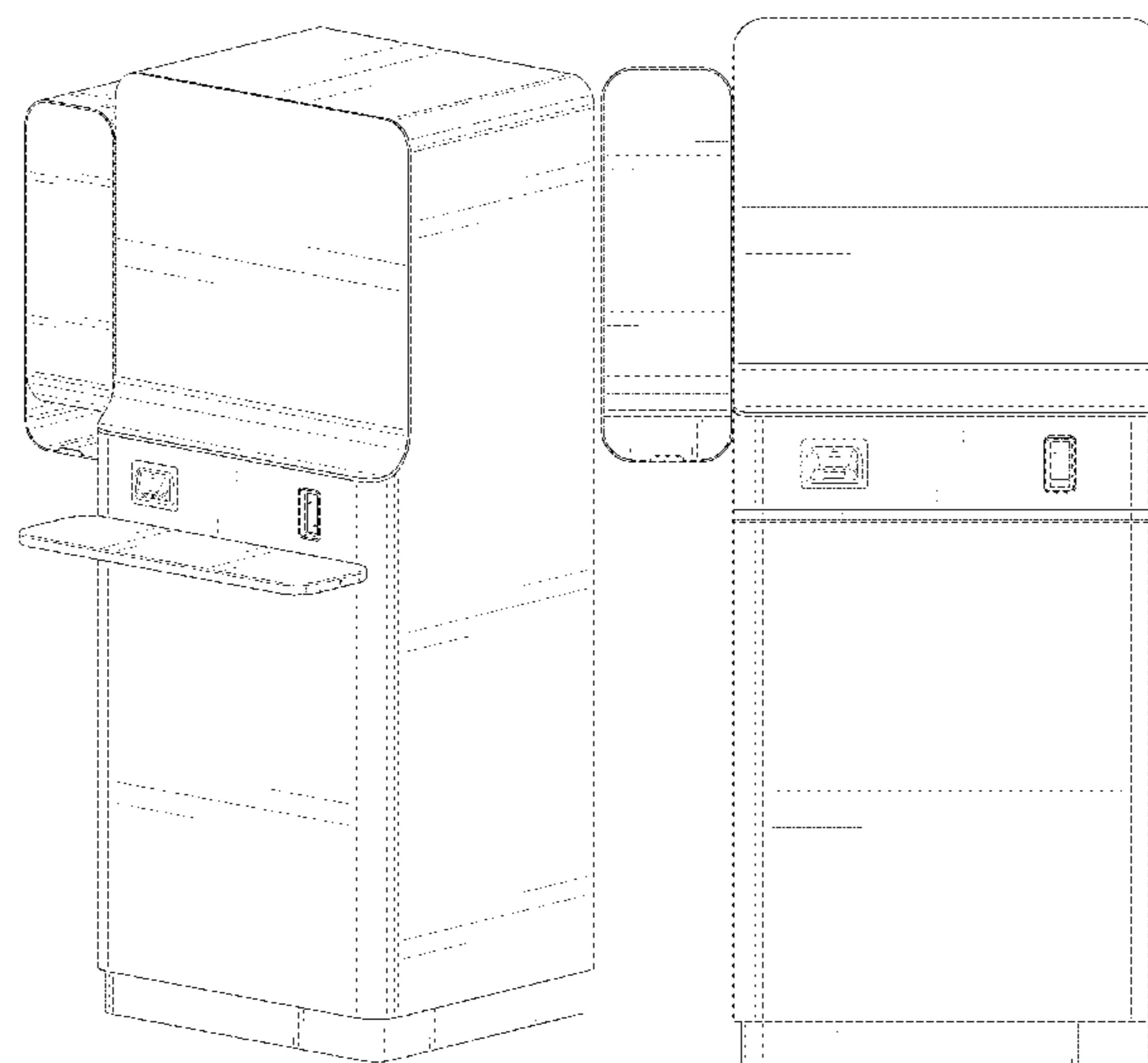
1 Claim, 7 Drawing Sheets

(**) Term: **15 Years**
(21) Appl. No.: **29/792,469**
(22) Filed: **Mar. 31, 2022**
(51) **LOC (14) Cl.** **24-01**
(52) **U.S. Cl.**
USPC **D24/186; D24/185; D24/216**
(58) **Field of Classification Search**
USPC D24/216, 217, 107, 185, 186, 219, 231, D24/232, 233, 234; D10/81; D15/199; D23/200, 213, 225, 233, 499; D32/6
CPC G01N 2035/00306; G01N 2035/00326; G01N 2035/00336; G01N 2030/027; G01N 21/76; B05C 11/1005; B05C 11/1002; B05C 11/1039; B05C 15/00
See application file for complete search history.

(56) **References Cited**

U.S. PATENT DOCUMENTS

D141,087 S * 5/1945 Bellstaedt D32/6
D182,698 S * 4/1958 Wells D13/184
D228,755 S * 10/1973 Amar et al. D24/234
D264,124 S * 4/1982 Brendgord D24/217
D270,181 S * 8/1983 Haas D15/199
D275,032 S * 8/1984 Maher, Jr. D24/234
D314,824 S * 2/1991 Moon D24/219
D319,309 S * 8/1991 Taylor D24/217



(56)

References Cited

U.S. PATENT DOCUMENTS

D457,644	S	*	5/2002	Waluszko	D24/231
D515,707	S	*	2/2006	Shinohara	D24/216
D525,092	S	*	7/2006	Ariaz	D23/200
D599,688	S	*	9/2009	Ito	D10/81
D630,535	S	*	1/2011	Hoshino	D10/81
D637,929	S	*	5/2011	Kimura	D10/81
D657,067	S	*	4/2012	Shibata	D24/216
D657,068	S	*	4/2012	Shibata	D24/216
D670,400	S	*	11/2012	O'Sullivan	D24/169
D670,401	S	*	11/2012	Tsuda	D24/216
D671,227	S	*	11/2012	Parker	D24/216
D672,471	S	*	12/2012	Franco	D24/232
D678,093	S	*	3/2013	Tachi	D10/81
D698,038	S	*	1/2014	Davis	D24/234
D700,710	S	*	3/2014	Meziere	D24/216
D704,348	S	*	5/2014	Shibata	D24/216
D705,943	S	*	5/2014	Chang	D24/216
D717,438	S	*	11/2014	Lin	D24/224
D719,672	S	*	12/2014	Dickinson	D24/217
D740,434	S	*	10/2015	Isozaki	D24/216
D773,071	S	*	11/2016	Hakoda	D10/97
9,498,790	B2	*	11/2016	Parling	A43B 7/12
D796,358	S	*	9/2017	Abbott	D24/186
D799,567	S	*	10/2017	Cesar	D15/122
D800,000	S	*	10/2017	Barton	D24/216
D802,156	S	*	11/2017	Barton	D24/216
D824,124	S	*	7/2018	Lee	D32/6
D827,226	S	*	8/2018	Chung	D32/6
D829,336	S	*	9/2018	Wohlstadter	D24/216
D836,271	S	*	12/2018	Chung	D32/6
D841,187	S	*	2/2019	Kurz-Ottenwaelder	D24/232
D844,471	S	*	4/2019	Stone	D24/216
D847,366	S	*	4/2019	Hoelbl	D24/216
D848,019	S	*	5/2019	Barton	D24/216
D850,956	S	*	6/2019	Barton	D24/216
D855,823	S	*	8/2019	Williamson	D24/216
D859,192	S	*	9/2019	Barton	D24/216
D869,309	S	*	12/2019	Barton	D24/216
D876,259	S	*	2/2020	Barton	D24/216
D878,625	S	*	3/2020	Sakai	D24/232
D879,994	S	*	3/2020	Leimkuehler	D24/216
D880,719	S	*	4/2020	Barton	D24/216
D883,115	S	*	5/2020	Barton	D24/216
D887,295	S	*	6/2020	Carney	D10/81
D887,296	S	*	6/2020	Stone	D24/216
D905,248	S	*	12/2020	Williamson	D24/185
D908,238	S	*	1/2021	Cavada, Jr.	D24/217
D908,986	S	*	1/2021	Yoon	D32/6
D909,692	S	*	2/2021	Seo	D32/6
D911,546	S	*	2/2021	Vacic	D24/216
D915,009	S	*	3/2021	Yoon	D32/6
D915,010	S	*	3/2021	Yoon	D32/6
D916,402	S	*	4/2021	Yoon	D32/6
D917,803	S	*	4/2021	Yoon	D32/6
D918,418	S	*	5/2021	Apotheloz	D24/232
D918,498	S	*	5/2021	Park	D32/6
D920,145	S	*	5/2021	Livingston	D24/216
D930,181	S	*	9/2021	Milliff	D24/217
D937,433	S	*	11/2021	Sugie	D24/158
D937,507	S	*	11/2021	Lee	D32/6
D937,966	S	*	12/2021	Rastelli	D23/200
D944,105	S	*	2/2022	Barton	D24/216
D946,431	S	*	3/2022	Blake	D24/232
D954,574	S	*	6/2022	Blake	D24/232
D955,245	S	*	6/2022	Barton	D24/216
D956,261	S	*	6/2022	Segawa	D24/232
D957,766	S	*	7/2022	Ayers	D32/6
D960,398	S	*	8/2022	Bae	D25/138
D974,434	S	*	1/2023	Cho	D15/199
D978,369	S	*	2/2023	Chang	D24/216
D978,370	S	*	2/2023	Gut	D24/216
D979,787	S	*	2/2023	Gruen	D24/216
D980,096	S	*	3/2023	Jiang	D10/81
D992,750	S	*	7/2023	Blair	D24/216
D994,000	S	*	8/2023	Yang	D15/199
D994,001	S	*	8/2023	Wang	D15/199
D1,002,975	S	*	10/2023	Bai	D32/6
D1,004,866	S	*	11/2023	Lee	D32/6
D1,011,941	S	*	1/2024	Blake	D24/216
2016/0297021	A1	*	10/2016	Senga	B41F 15/405
2018/0372717	A1		12/2018	Tu et al.		
2020/0061605	A1	*	2/2020	Edmiston	B01L 3/5082
2020/0187863	A1		6/2020	Tu et al.		
2021/0155978	A1	*	5/2021	Tidd	G01N 35/0098
2021/0285977	A1		9/2021	Tu et al.		
2022/0178796	A1	*	6/2022	Murakami	G01N 35/10
2022/0371285	A1	*	11/2022	Estelle	B05C 11/1002

OTHER PUBLICATIONS

“Rosalind Franklin’s Helix 51 incubator attracts handful of new businesses; ‘This keeps everything growing here, from the startups to the big guys’”; Steve Sadin; Lake County News—Sun; Published Feb. 24, 2022.

Website at URL: <https://www.everyplacelabs.com>; retrieved on Feb. 22, 2022.

* cited by examiner

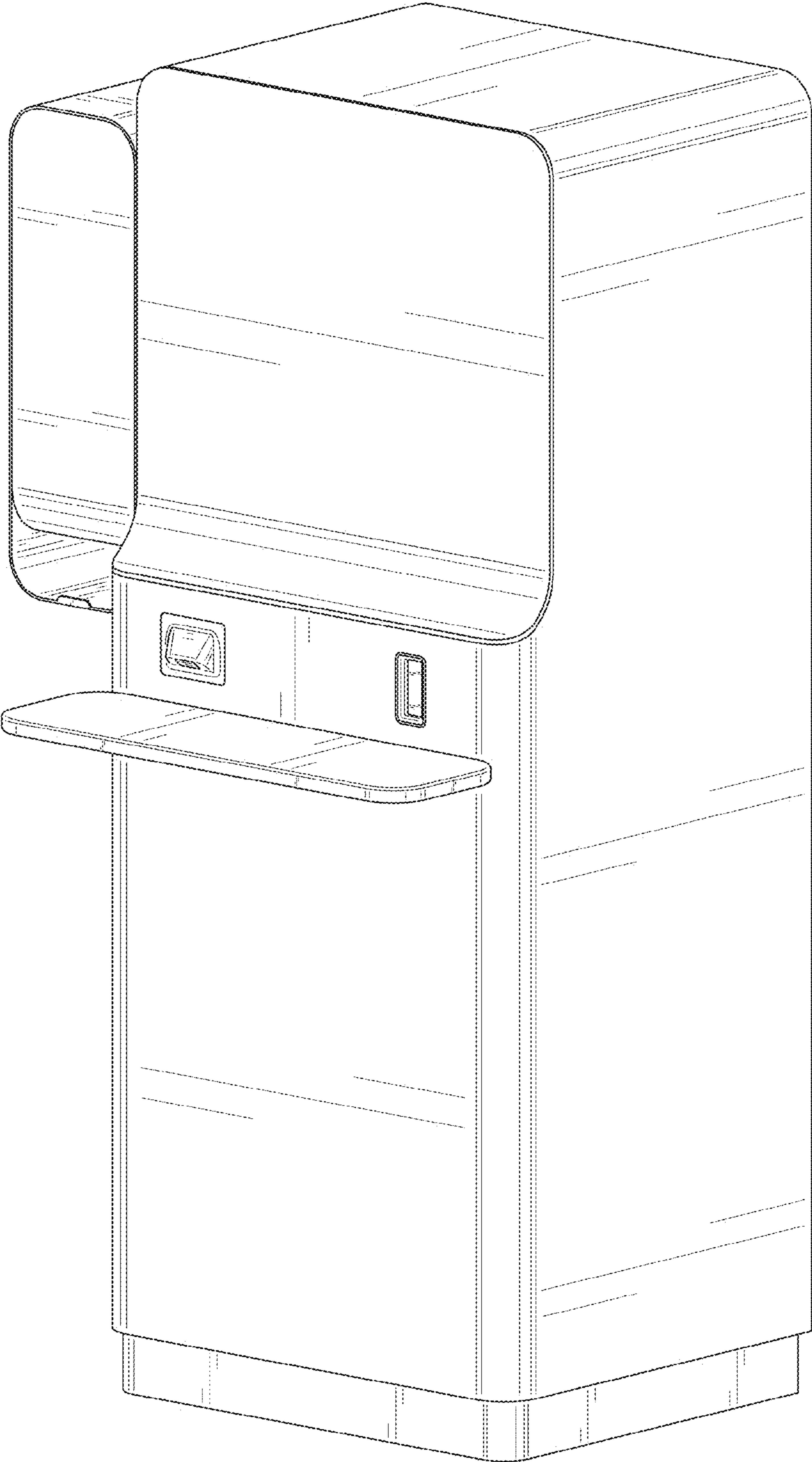


FIG. 1

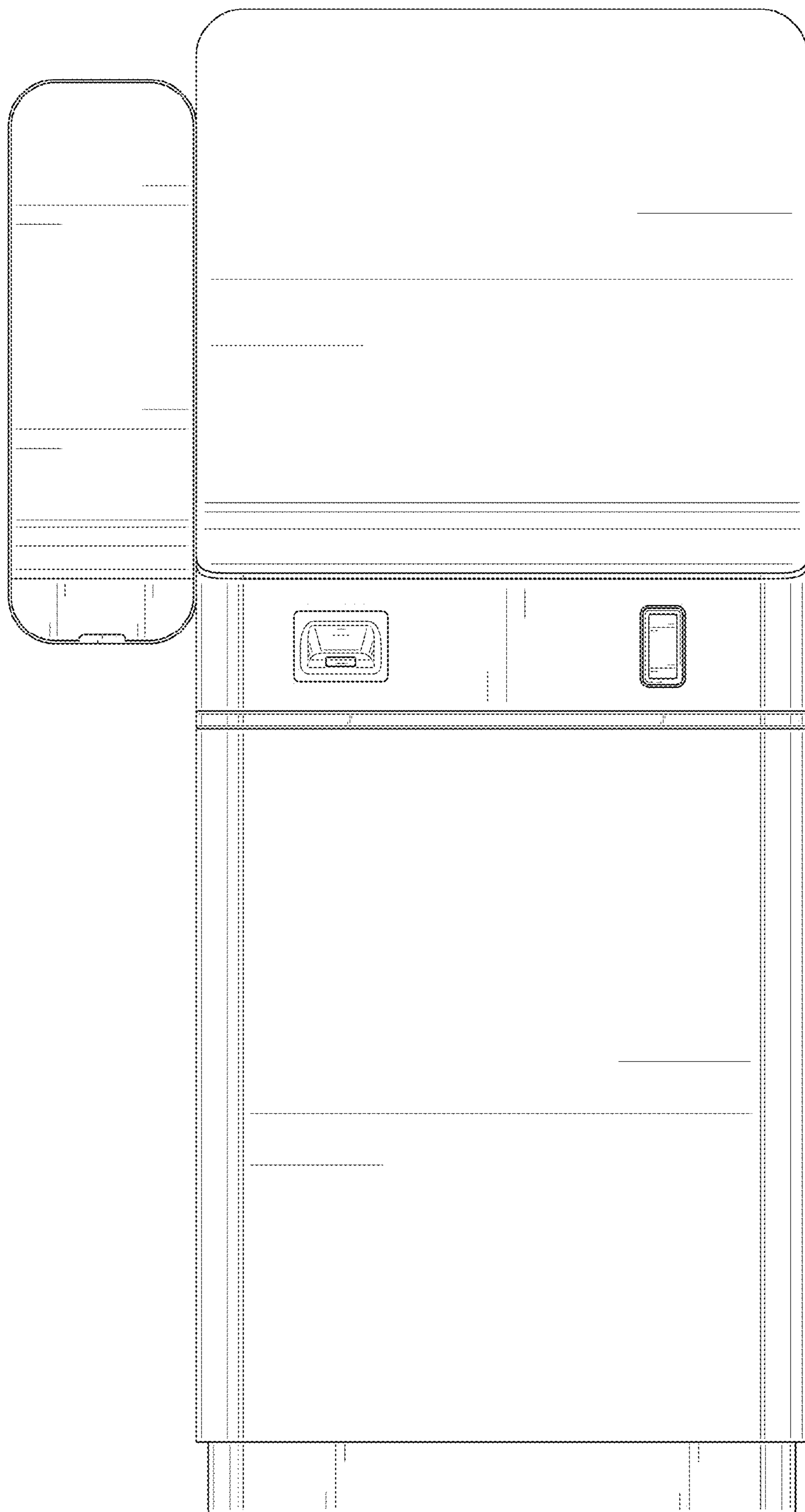


FIG. 2

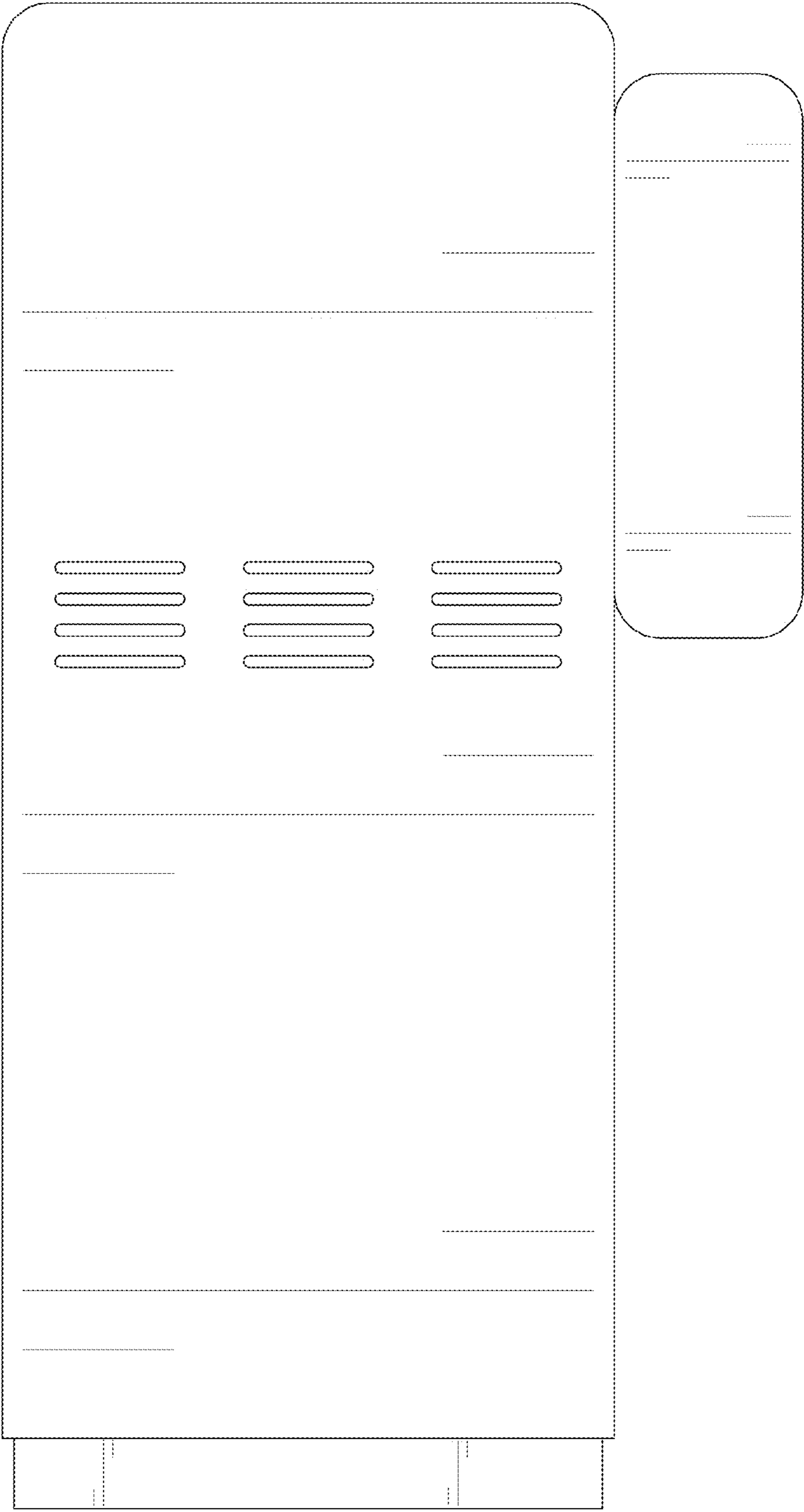


FIG. 3

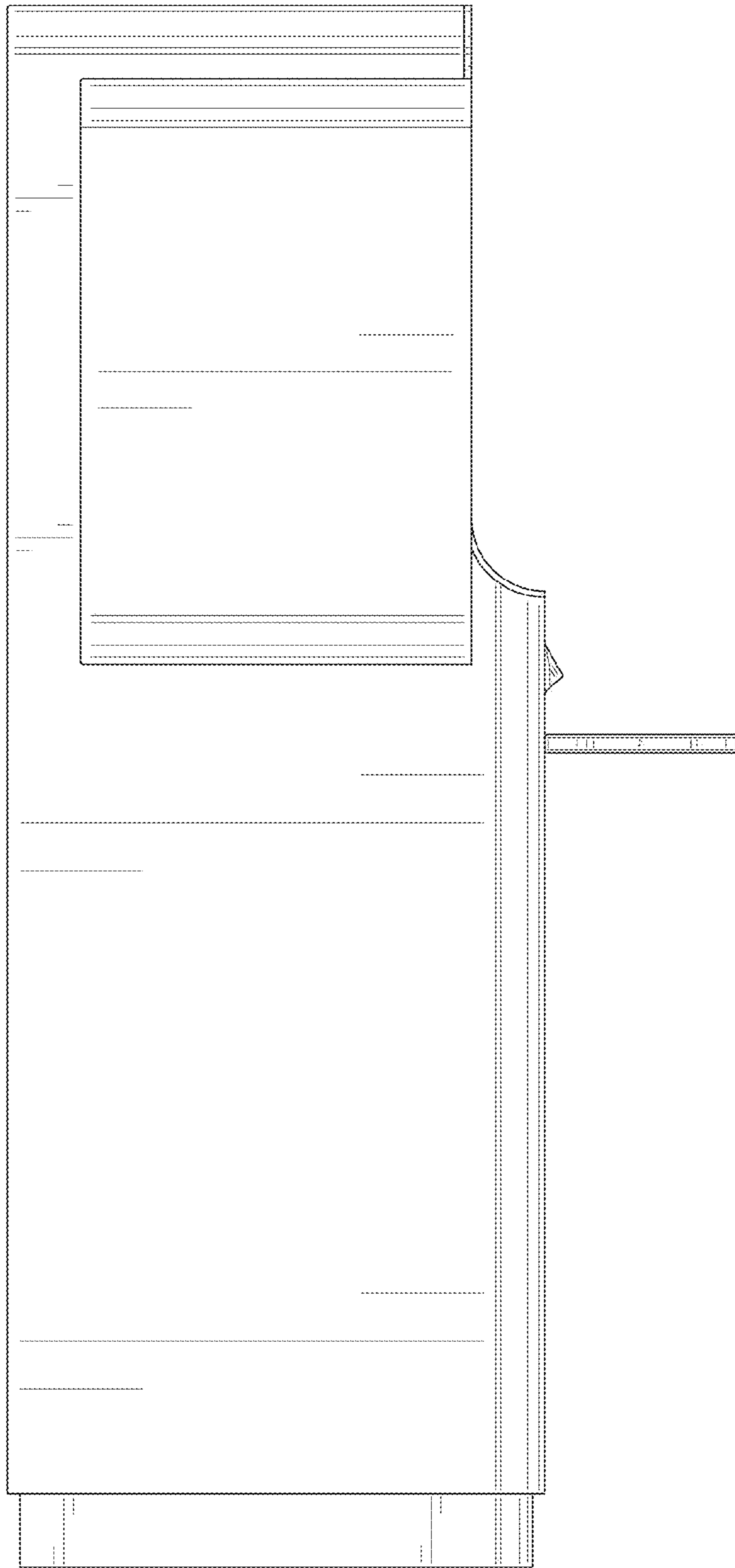


FIG. 4

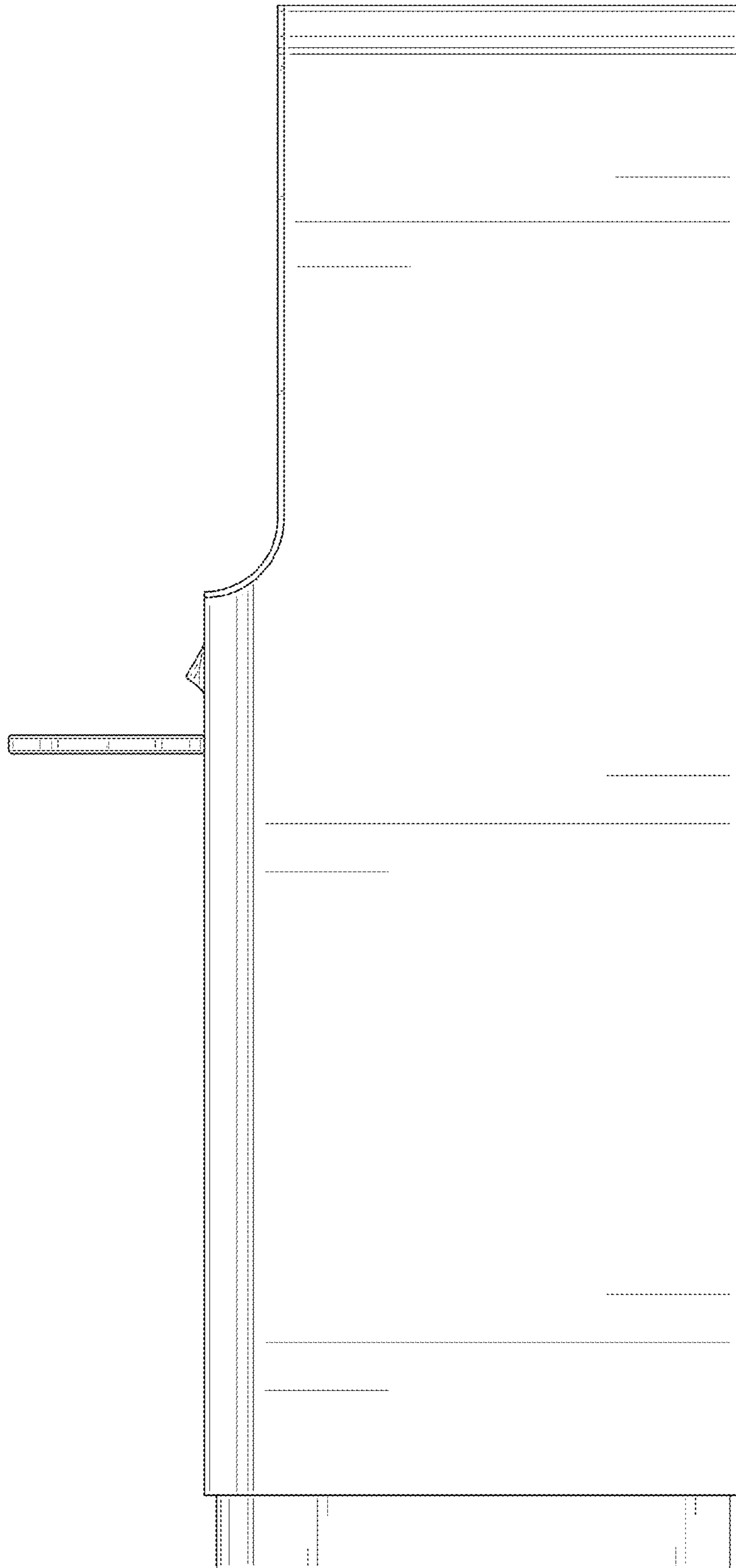


FIG. 5

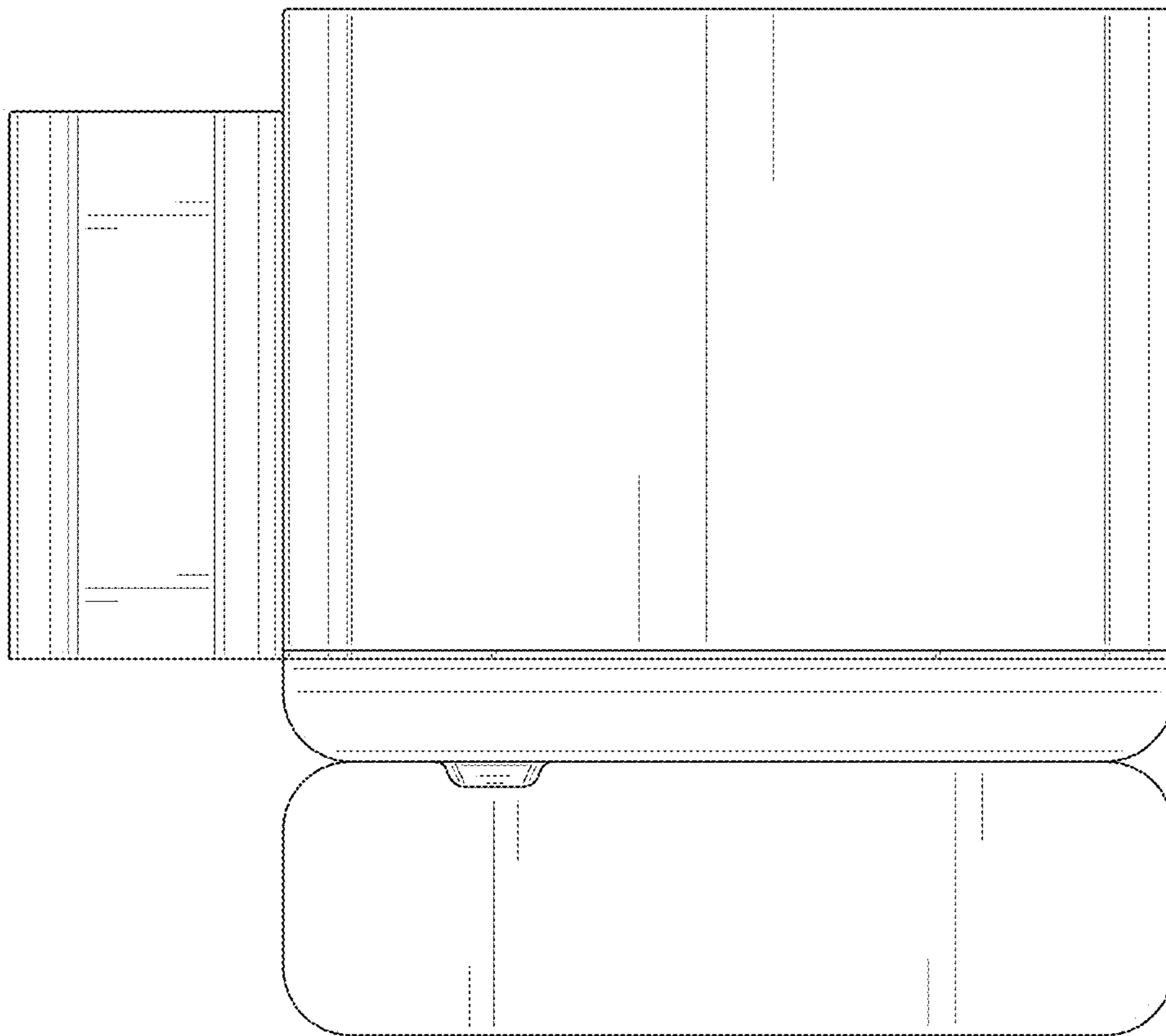


FIG. 6

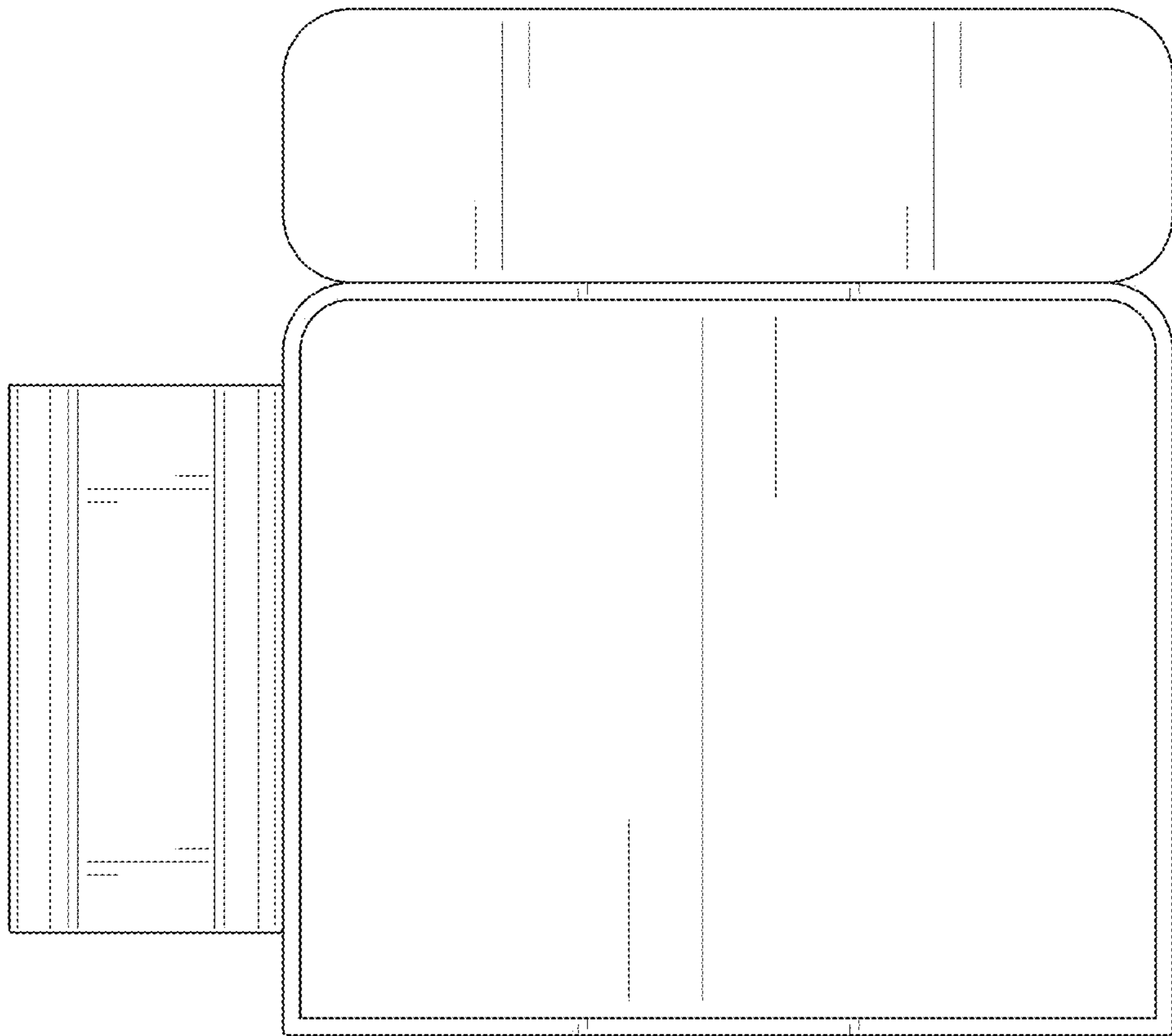


FIG. 7