



US0D1040327S

(12) **United States Design Patent**
Chen

(10) **Patent No.:** **US D1,040,327 S**

(45) **Date of Patent:** **** Aug. 27, 2024**

(54) **CEILING FAN**

(71) Applicant: **Air Cool Industrial Co., Ltd.,**
Taichung (TW)

(72) Inventor: **Ken-Tuan Chen,** Taichung (TW)

(73) Assignee: **AIR COOL INDUSTRIAL CO.,**
LTD., Taichung (TW)

(**) Term: **15 Years**

(21) Appl. No.: **29/867,290**

(22) Filed: **Oct. 18, 2022**

(51) **LOC (14) Cl.** **23-04**

(52) **U.S. Cl.**
USPC **D23/377**

(58) **Field of Classification Search**
USPC D23/370, 377, 379, 385, 411, 413
CPC F04D 25/088; F21V 33/0096
See application file for complete search history.

(56) **References Cited**

U.S. PATENT DOCUMENTS

D304,229 S *	10/1989	Rezek	D23/377
D479,317 S *	9/2003	Gajewski	D23/377
D480,128 S *	9/2003	Gajewski	D23/377
D480,463 S *	10/2003	Gajewski	D23/377
D525,699 S *	7/2006	Davenport	D23/385
D630,312 S *	1/2011	Spaulding	D23/377
D807,491 S *	1/2018	Haggar	D23/385
D873,985 S *	1/2020	Wang	D23/377
D875,919 S *	2/2020	Haggar	D23/411

D895,098 S *	9/2020	Haggar	D23/377
D965,762 S *	10/2022	Lintner	D23/377
D979,115 S *	2/2023	Haggar	D26/88
D1,003,480 S *	10/2023	Cheng	D23/377

OTHER PUBLICATIONS

Tal Ceiling Fans. 48" Cleo Ceiling Fan Installation Guide, announced in YouTube on Jul. 19, 2023. [Online] [Retrieved on Apr. 3, 2024]. Retrieved from the Internet: <URL:https://www.youtube.com/watch?v=Wv3wEcvK_Ic&t=1s> (Year: 2023).*

* cited by examiner

Primary Examiner — Janice Hallmark

Assistant Examiner — Adedoyin Taiwo Odeyale

(74) *Attorney, Agent, or Firm* — Sinorica International

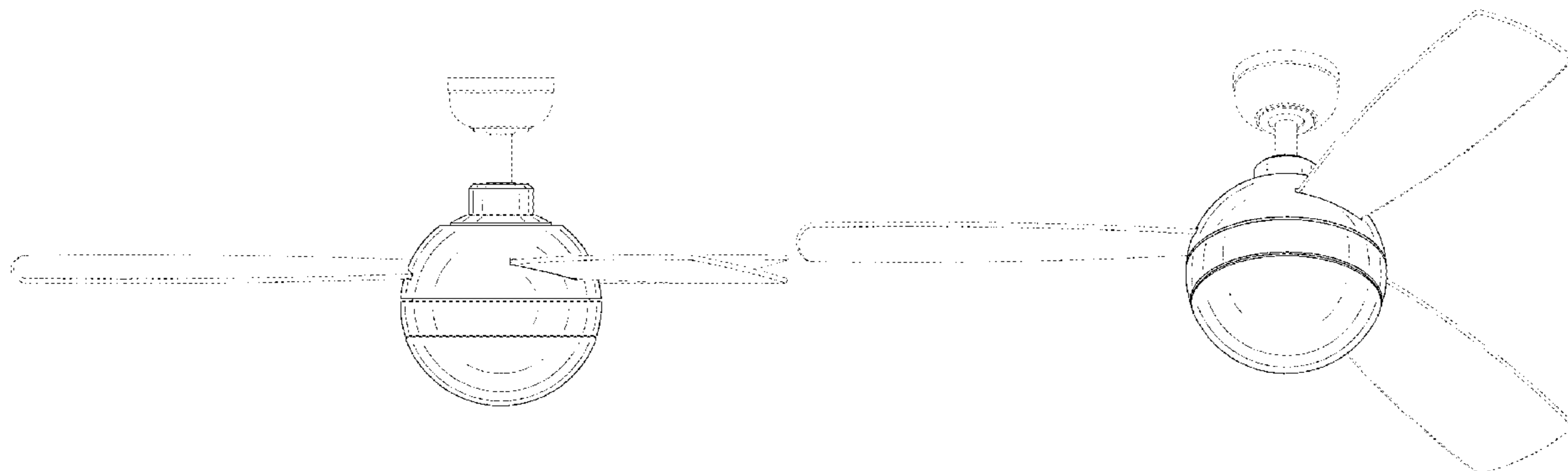
(57) **CLAIM**

The ornamental design for a ceiling fan, as shown and described.

DESCRIPTION

FIG. 1 is a front top perspective view of a ceiling fan showing my new design;
FIG. 2 is a front elevational view thereof;
FIG. 3 is a rear elevational view thereof.
FIG. 4 is a left side elevational view thereof;
FIG. 5 is a right side elevational view thereof;
FIG. 6 is a top plan view thereof;
FIG. 7 is a bottom plan view thereof; and,
FIG. 8 is a front bottom perspective view thereof.
The broken lines illustrate portions of the ceiling fan that form no part of the claimed design.

1 Claim, 8 Drawing Sheets



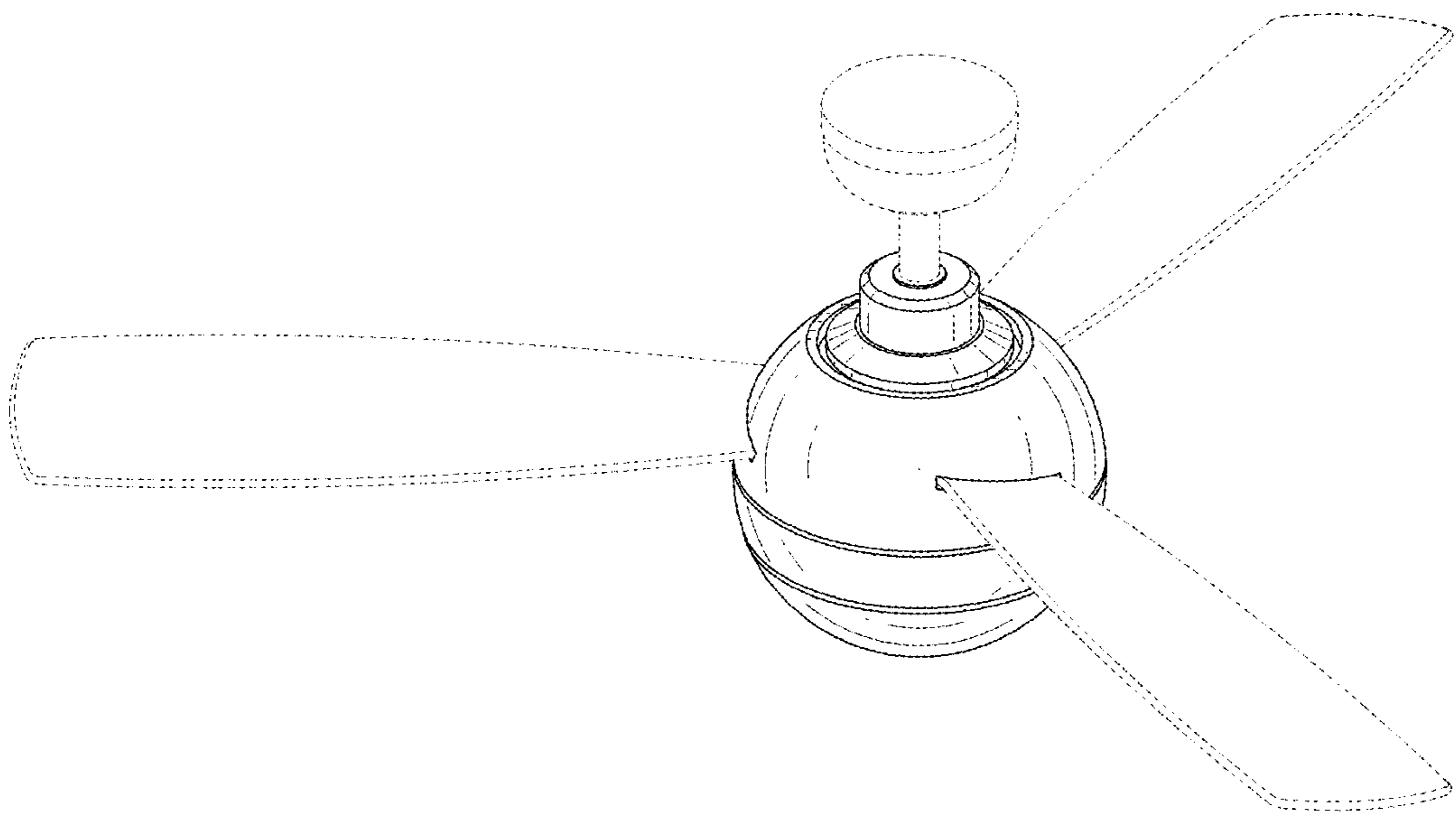


FIG. 1

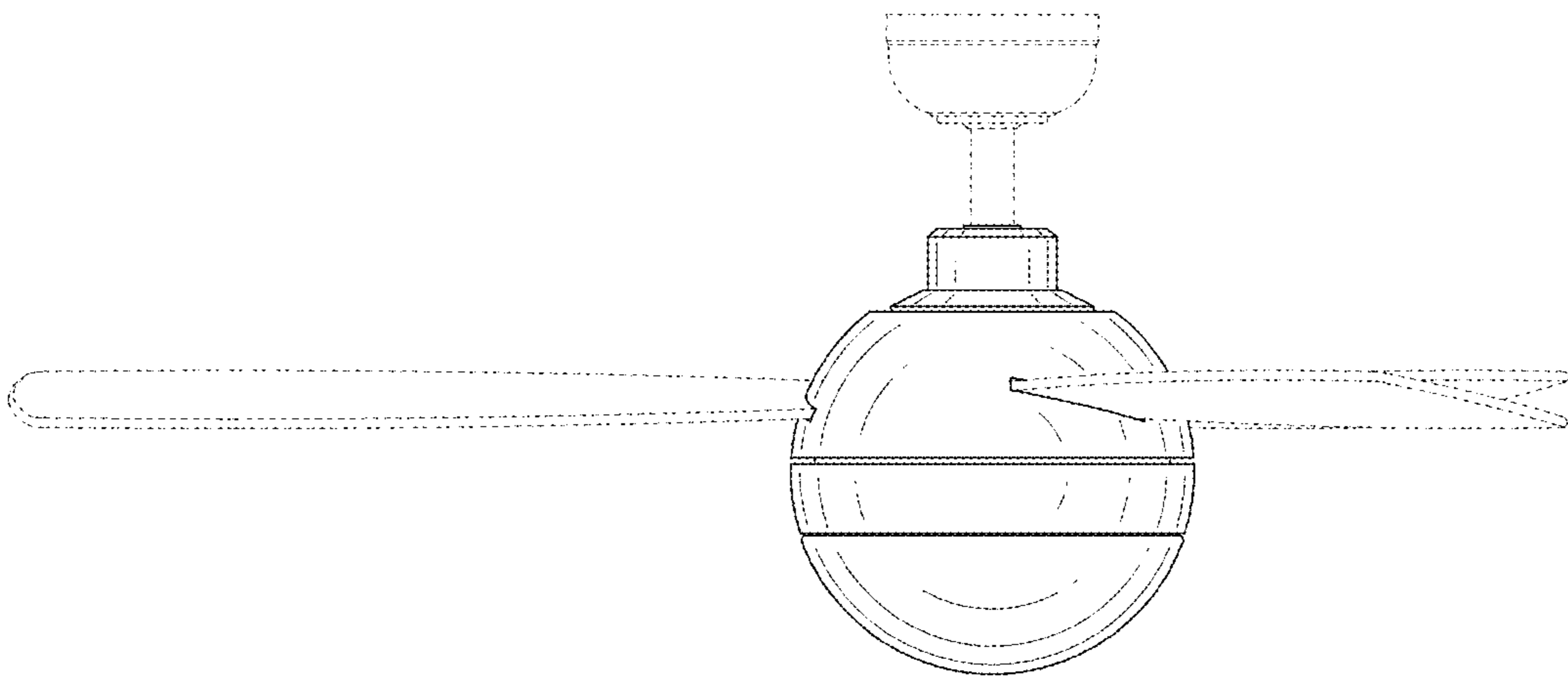


FIG. 2

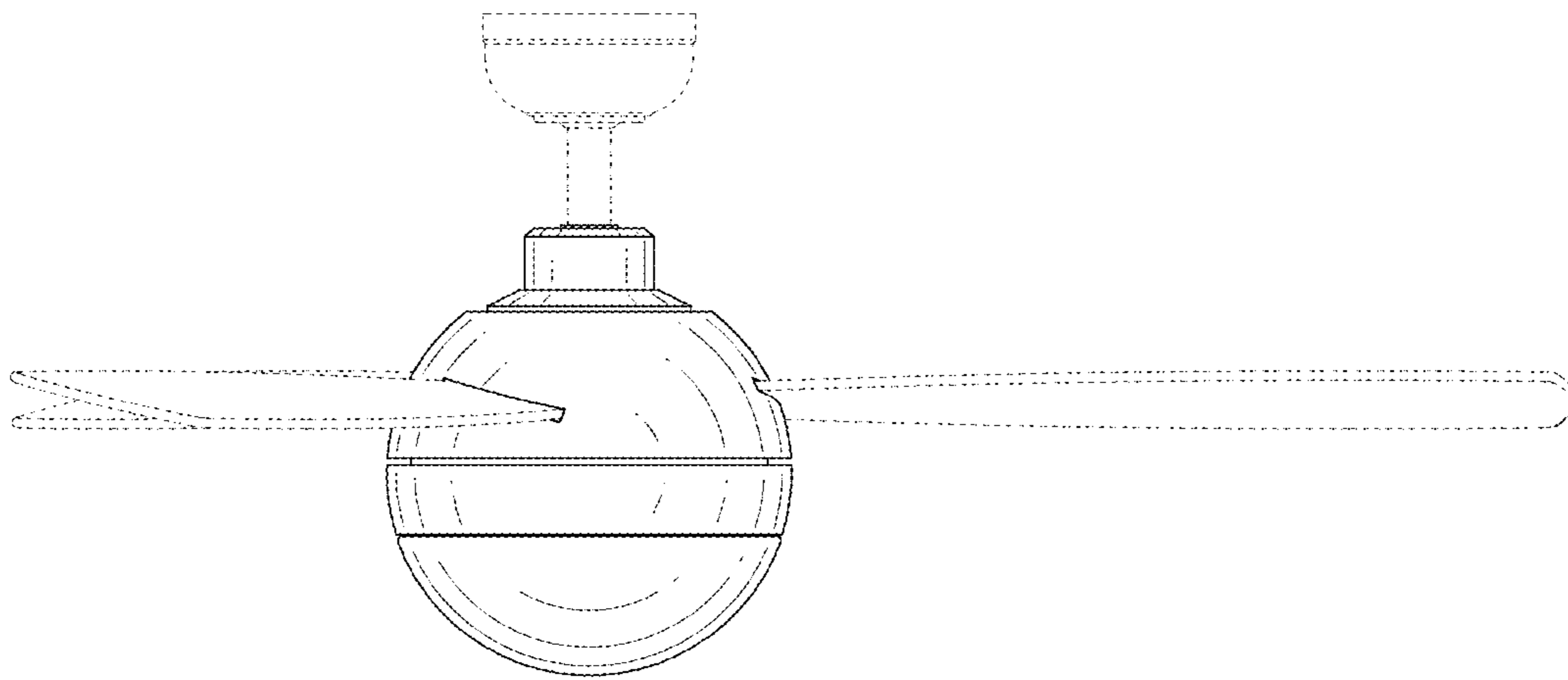


FIG. 3

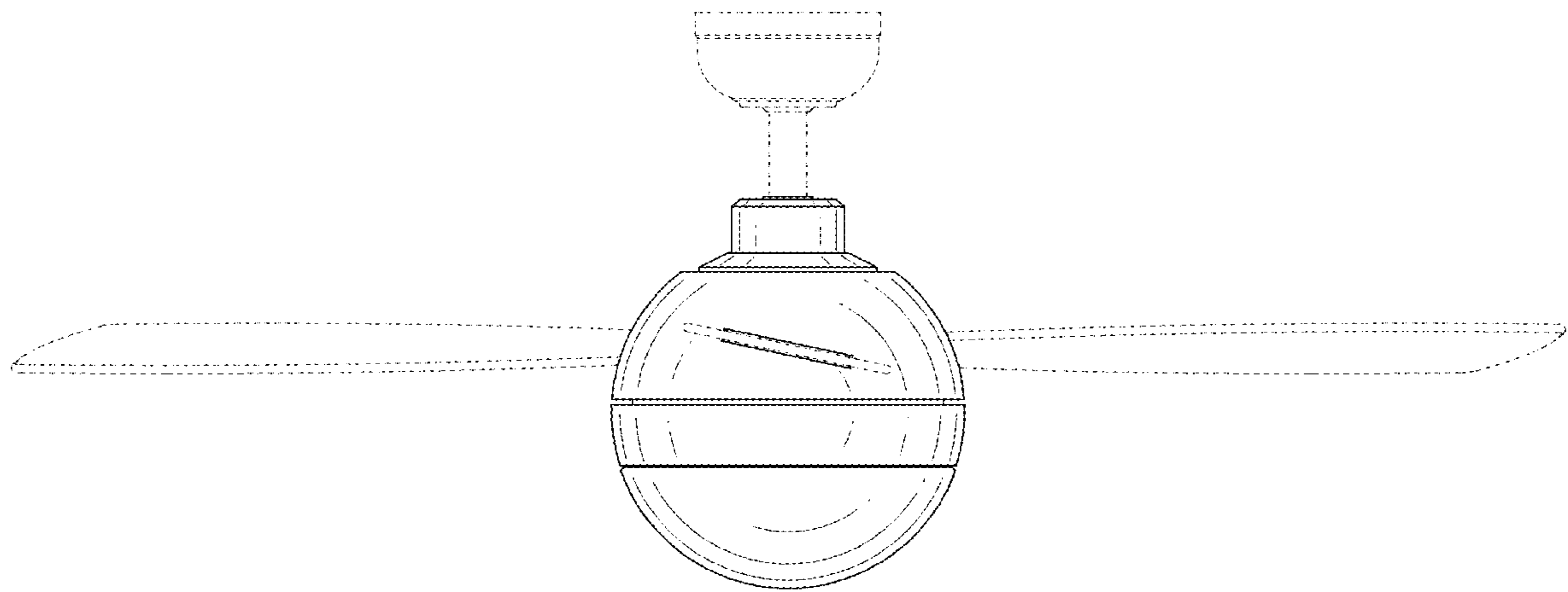


FIG. 4

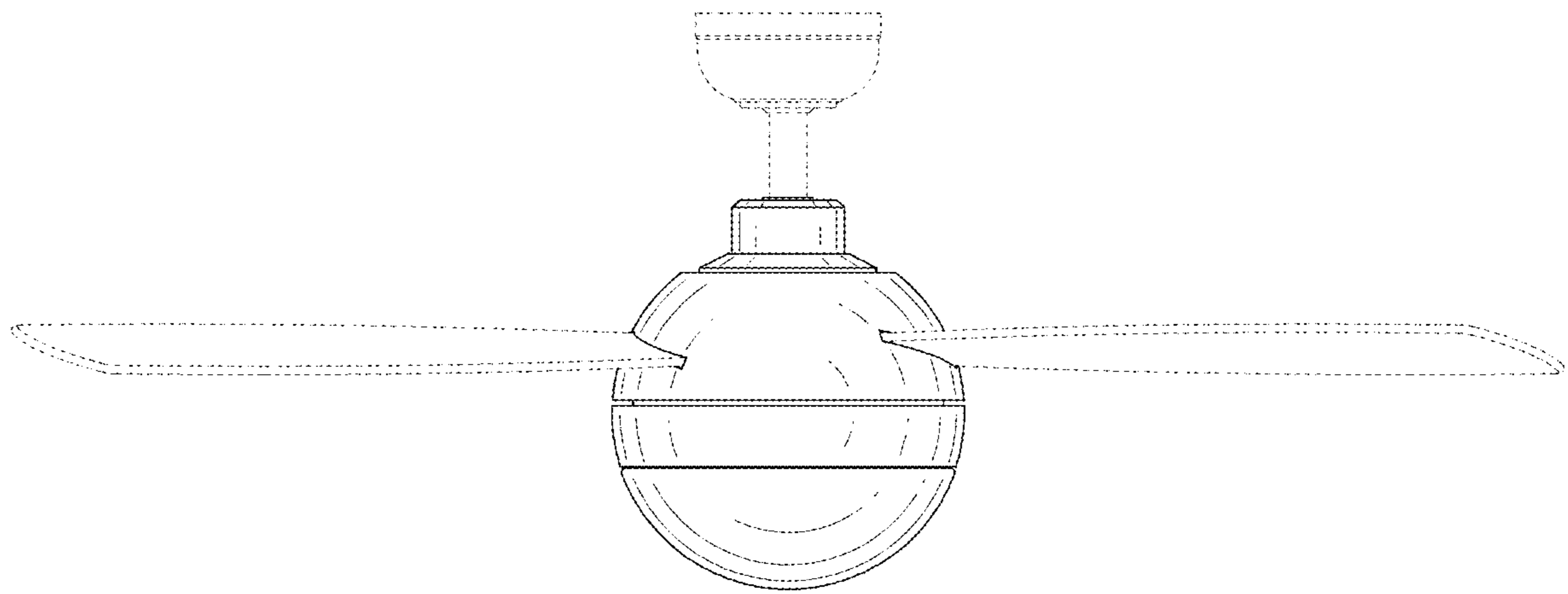


FIG. 5

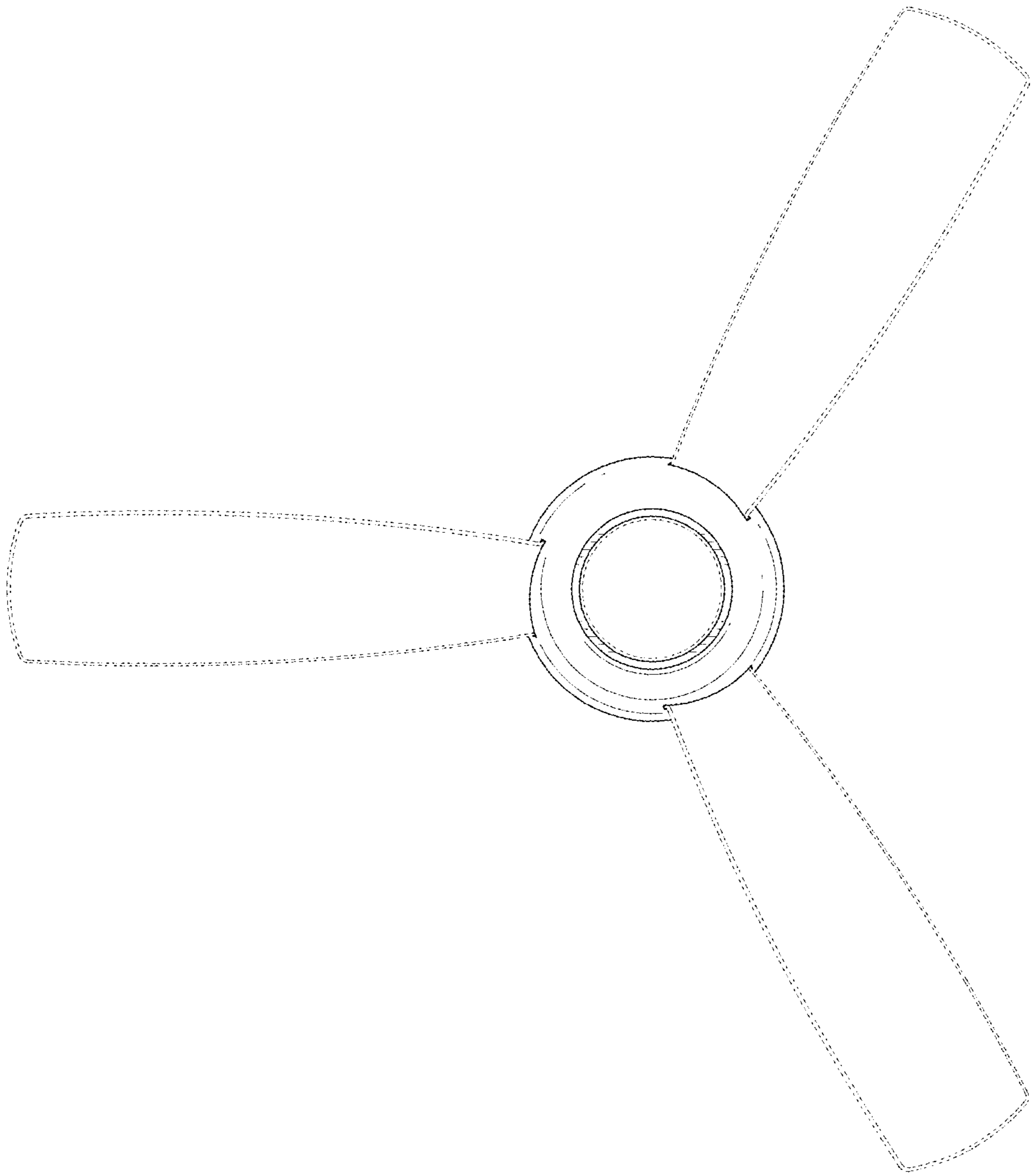


FIG. 6

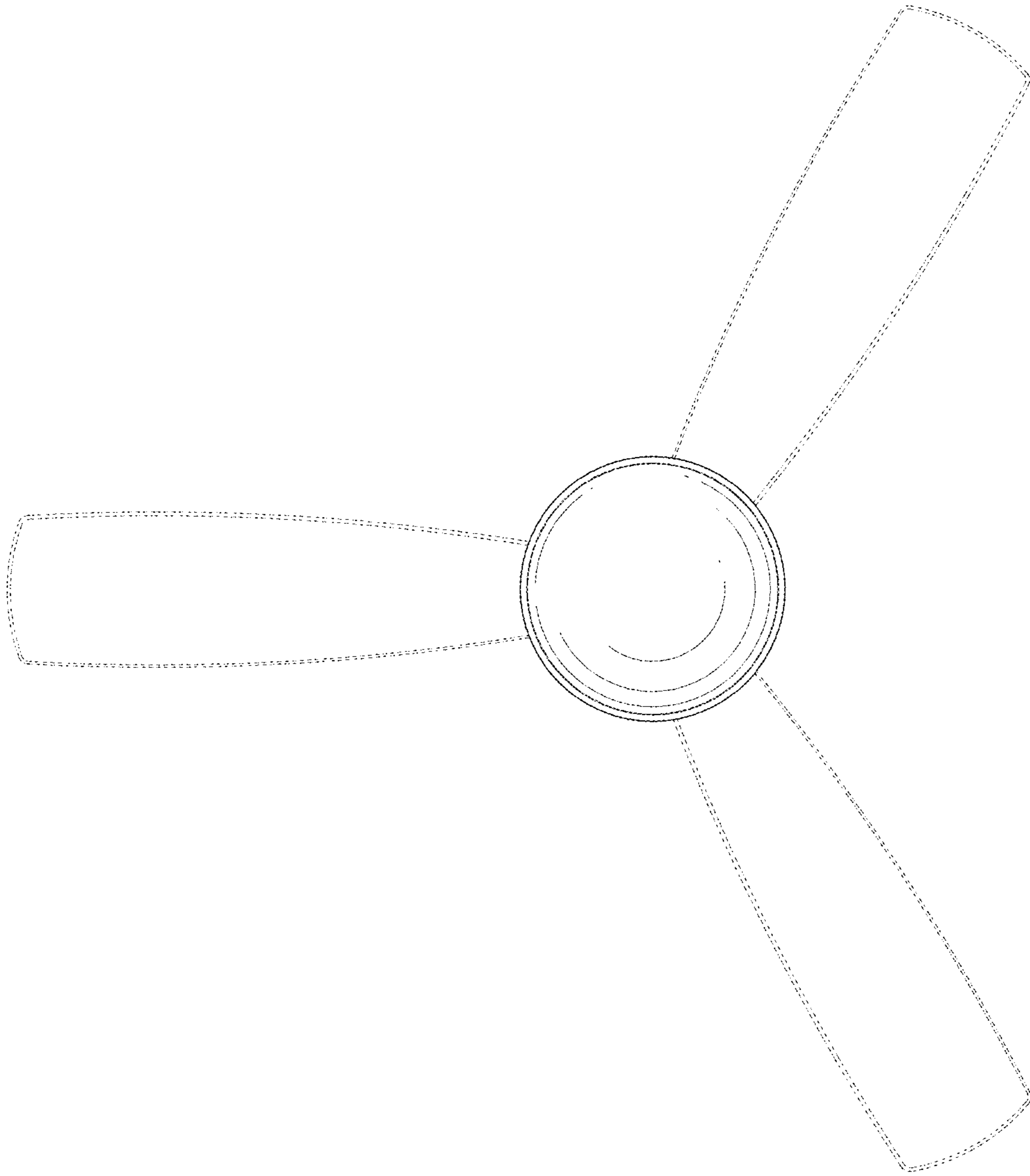


FIG. 7

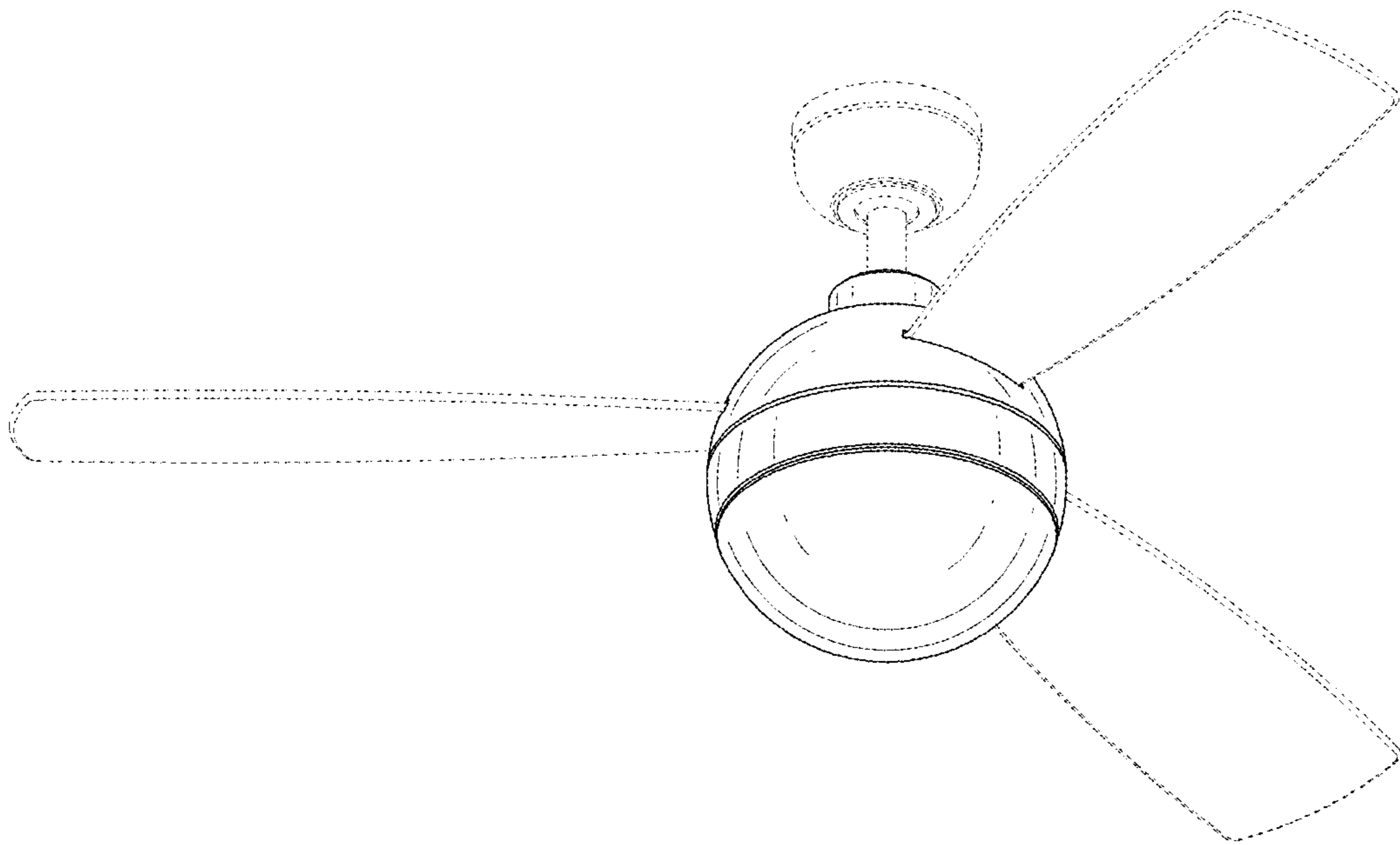


FIG. 8