



US0D1040322S

(12) **United States Design Patent** (10) **Patent No.:** **US D1,040,322 S**  
**Shao** (45) **Date of Patent:** **\*\* Aug. 27, 2024**

(54) **CEILING FAN WITH LIGHT**

FOREIGN PATENT DOCUMENTS

(71) Applicant: **Haojun Shao**, Jiangmen (CN)

CN 202230041438.X \* 4/2022

(72) Inventor: **Haojun Shao**, Jiangmen (CN)

\* cited by examiner

(\*\*) Term: **15 Years**

*Primary Examiner* — Janice Hallmark

*Assistant Examiner* — Adedoyin Taiwo Odeyale

(21) Appl. No.: **29/823,990**

(74) *Attorney, Agent, or Firm* — Jose Cherson Weissbrot

(22) Filed: **Jan. 21, 2022**

(57) **CLAIM**

The ornamental design for a ceiling fan with light, as shown and described.

(51) **LOC (14) Cl.** ..... **23-04**

(52) **U.S. Cl.**

**DESCRIPTION**

USPC ..... **D23/377**

(58) **Field of Classification Search**

USPC ..... D23/370, 377, 379, 385, 411, 413;  
D26/59, 72, 81

CPC ..... F04D 25/088; F04D 29/38; F04D 29/384;  
F04D 29/386; F21V 33/0096

See application file for complete search history.

FIG. 1 is a first perspective view of a ceiling fan with light showing my new design;

FIG. 2 is a second perspective view thereof;

FIG. 3 is a front view thereof;

FIG. 4 is a back view thereof;

FIG. 5 is a left side view thereof;

FIG. 6 is a right side view thereof;

FIG. 7 is a top view thereof;

FIG. 8 is a bottom view thereof;

FIG. 9 is an enlarged view of the selected portion 9 in FIG. 1; and,

FIG. 10 is an enlarged view of the selected portion 10 in FIG. 2.

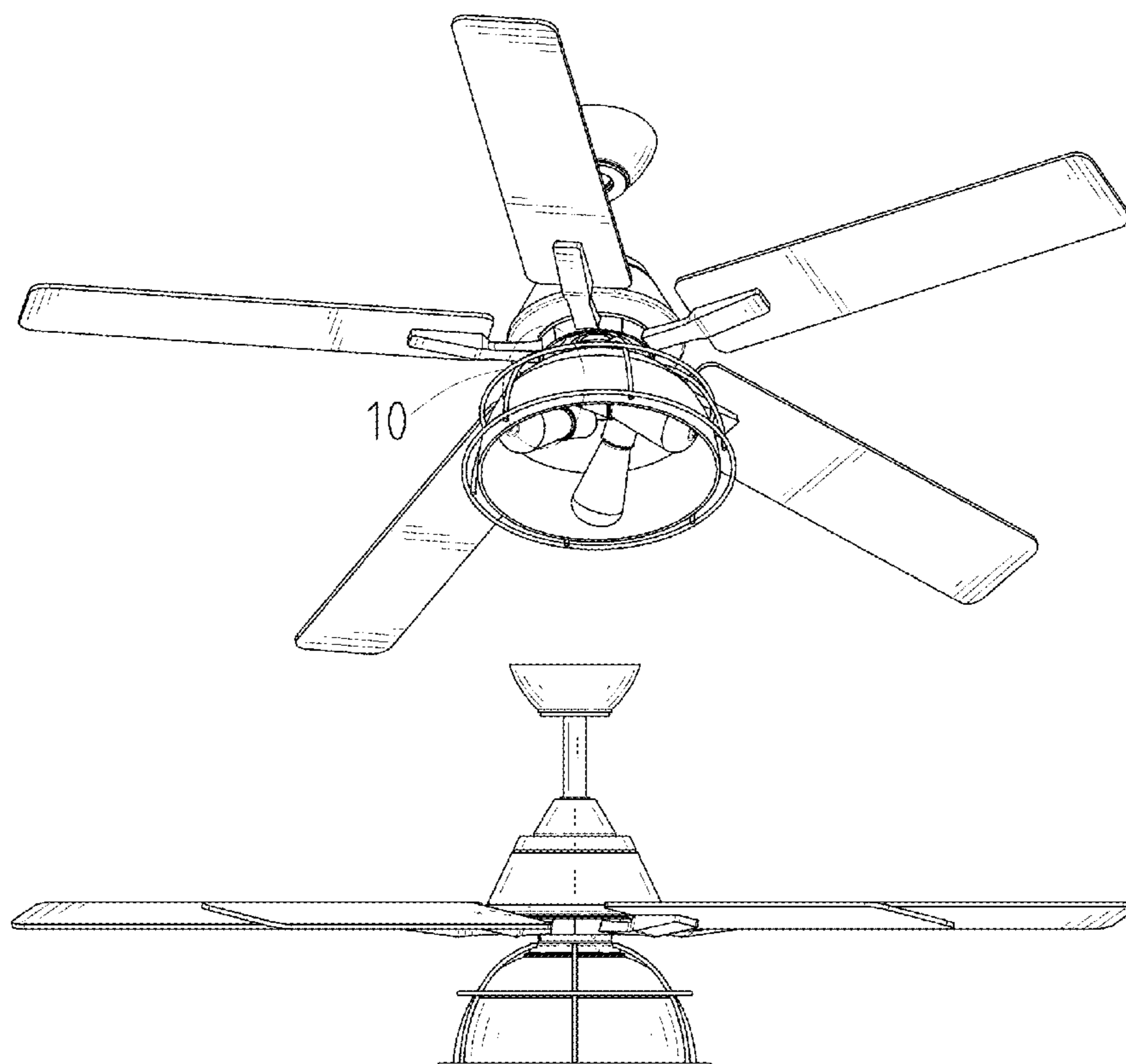
The broken lines shown in the drawings depict portions of the ceiling fan with light that form no part of the claimed design.

(56) **References Cited**

U.S. PATENT DOCUMENTS

|              |         |           |       |         |
|--------------|---------|-----------|-------|---------|
| D421,113 S * | 2/2000  | Zuege     | ..... | D23/377 |
| D428,982 S * | 8/2000  | Oldenburg | ..... | D23/385 |
| D476,406 S * | 6/2003  | Friedes   | ..... | D23/385 |
| D476,411 S * | 6/2003  | Friedes   | ..... | D23/411 |
| D890,972 S * | 7/2020  | Holmes    | ..... | D26/59  |
| D895,786 S * | 9/2020  | McRoberts | ..... | D23/411 |
| D950,036 S * | 4/2022  | Eiffert   | ..... | D23/377 |
| D972,111 S * | 12/2022 | Holmes    | ..... | D23/377 |

**1 Claim, 10 Drawing Sheets**



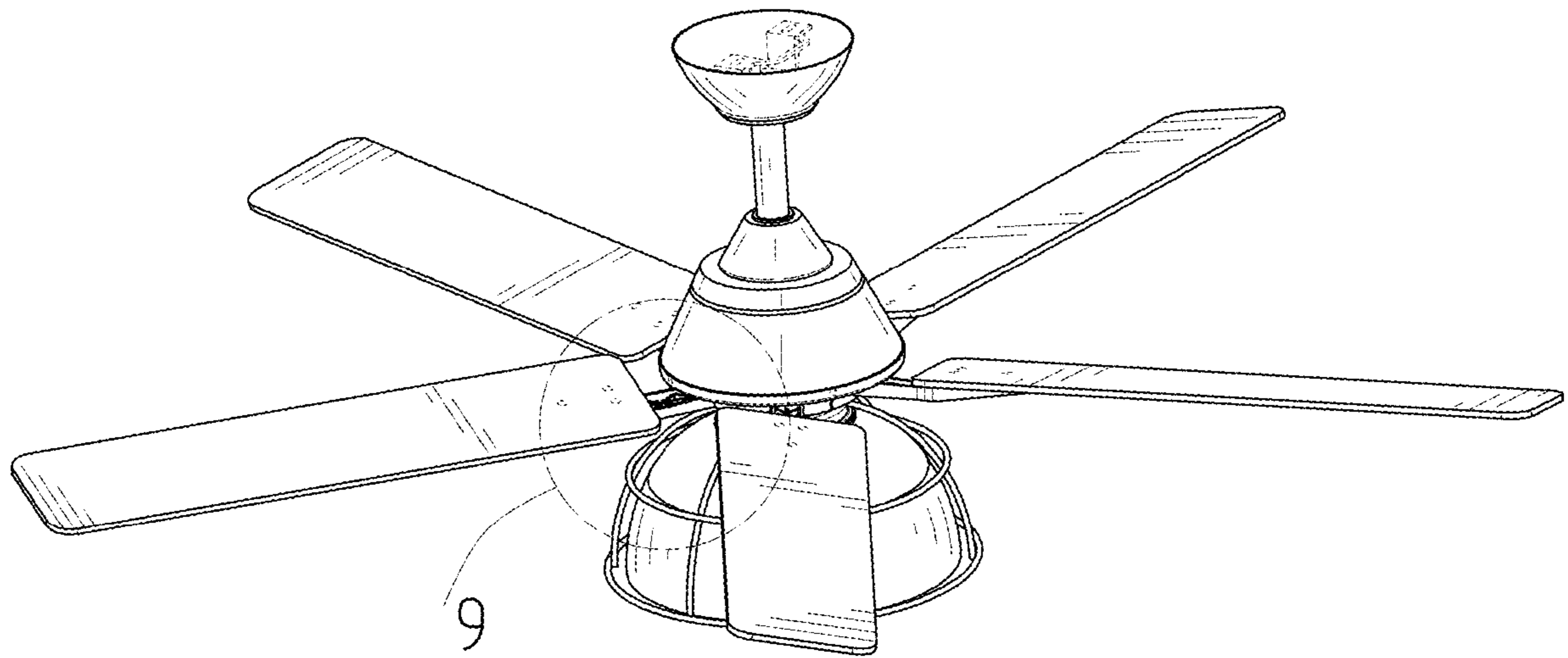


FIG. 1

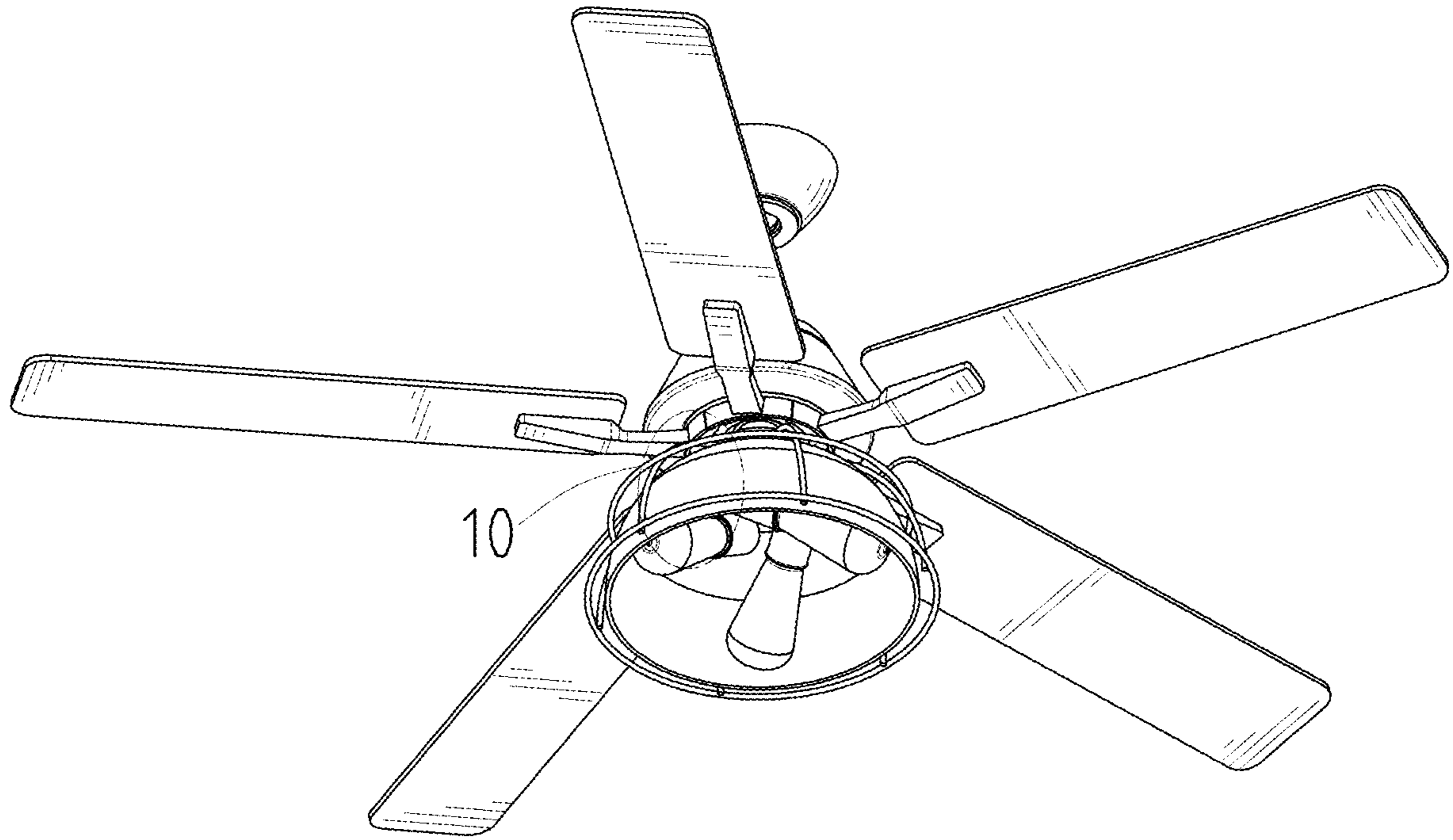


FIG. 2

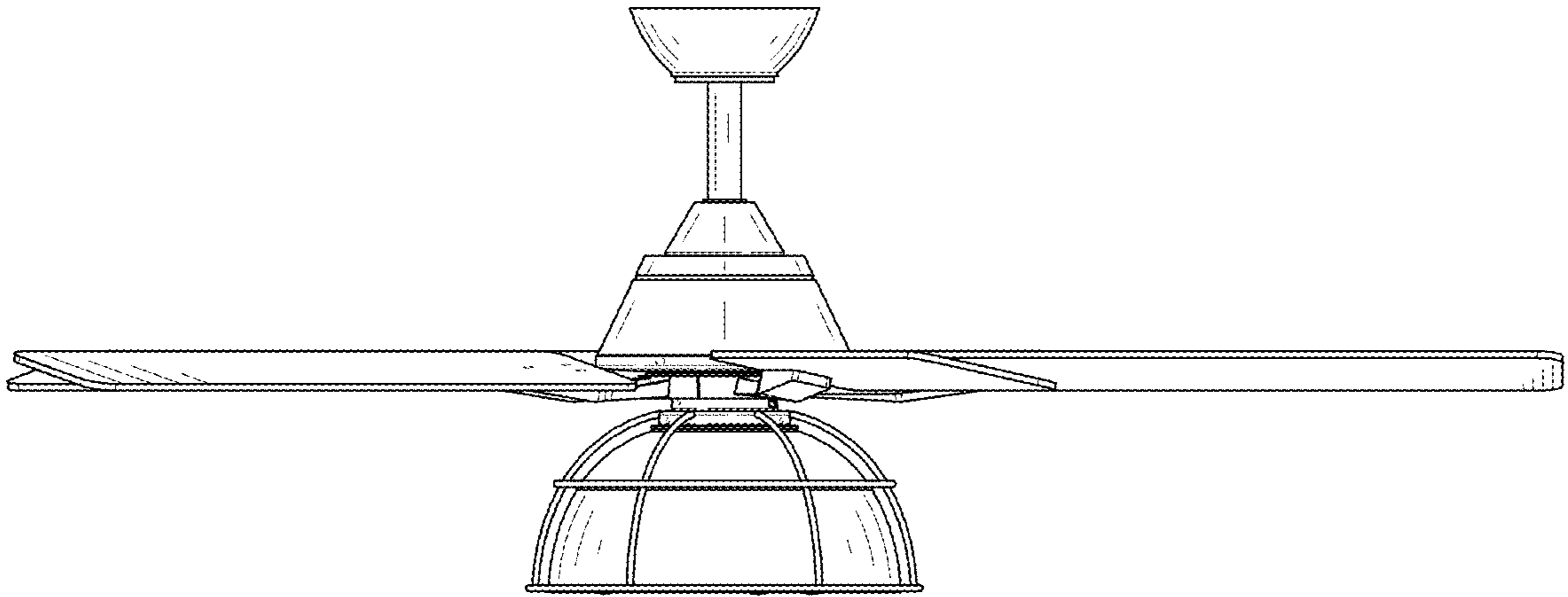


FIG. 3

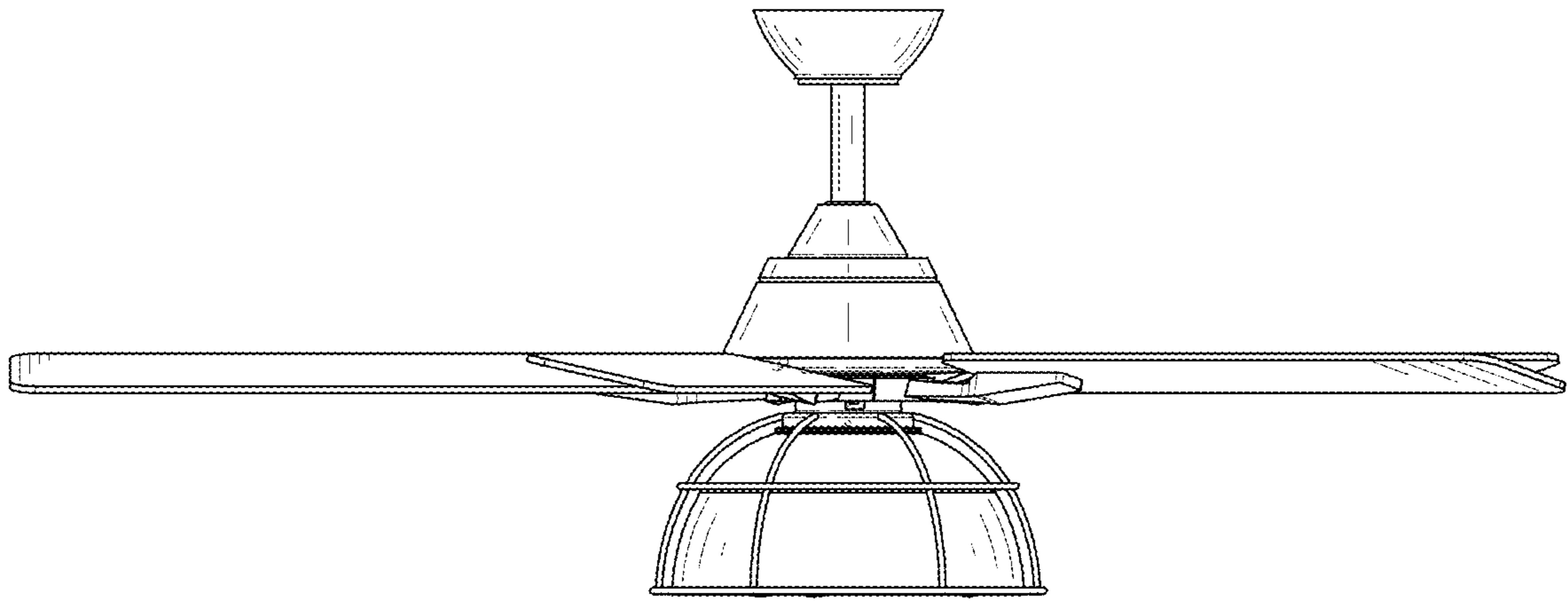


FIG. 4

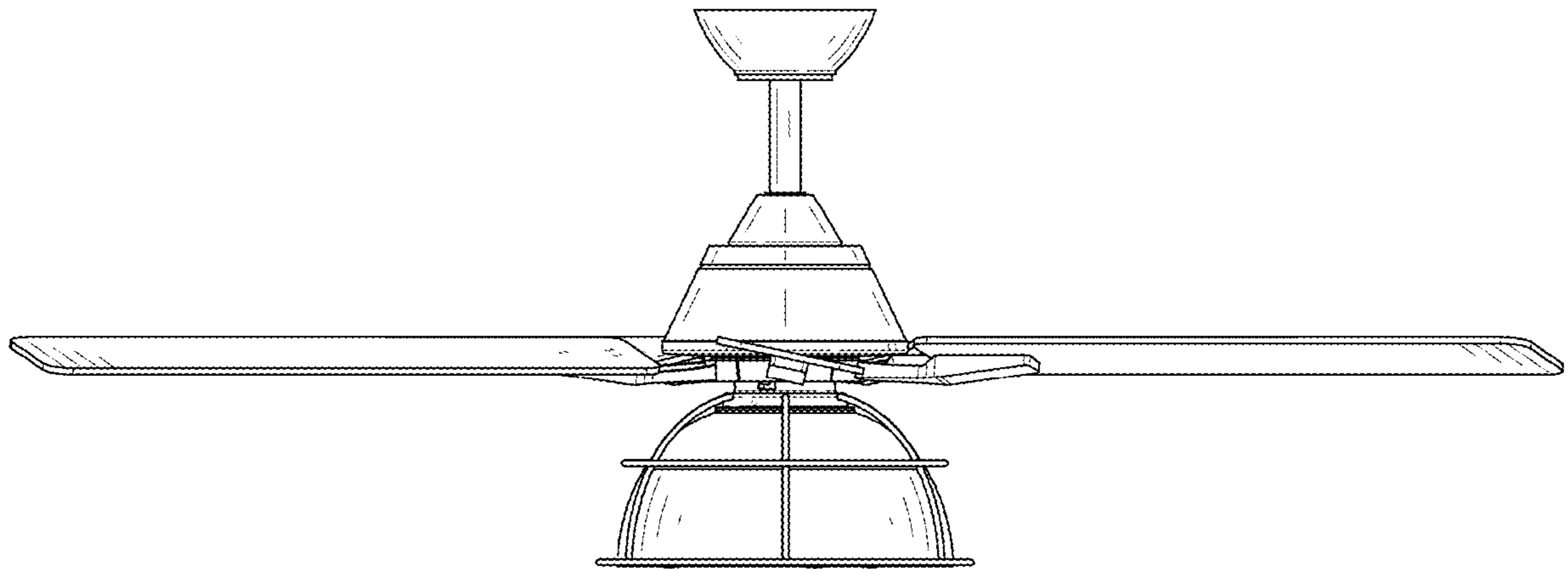


FIG. 5

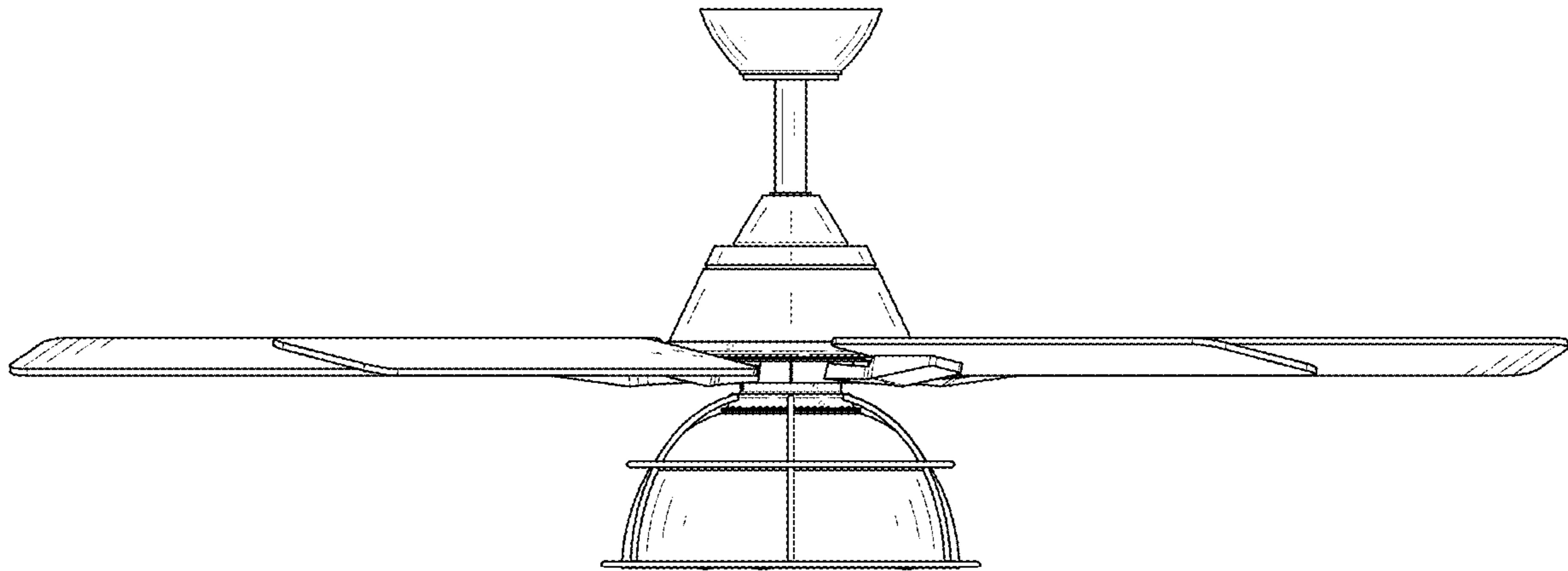


FIG. 6

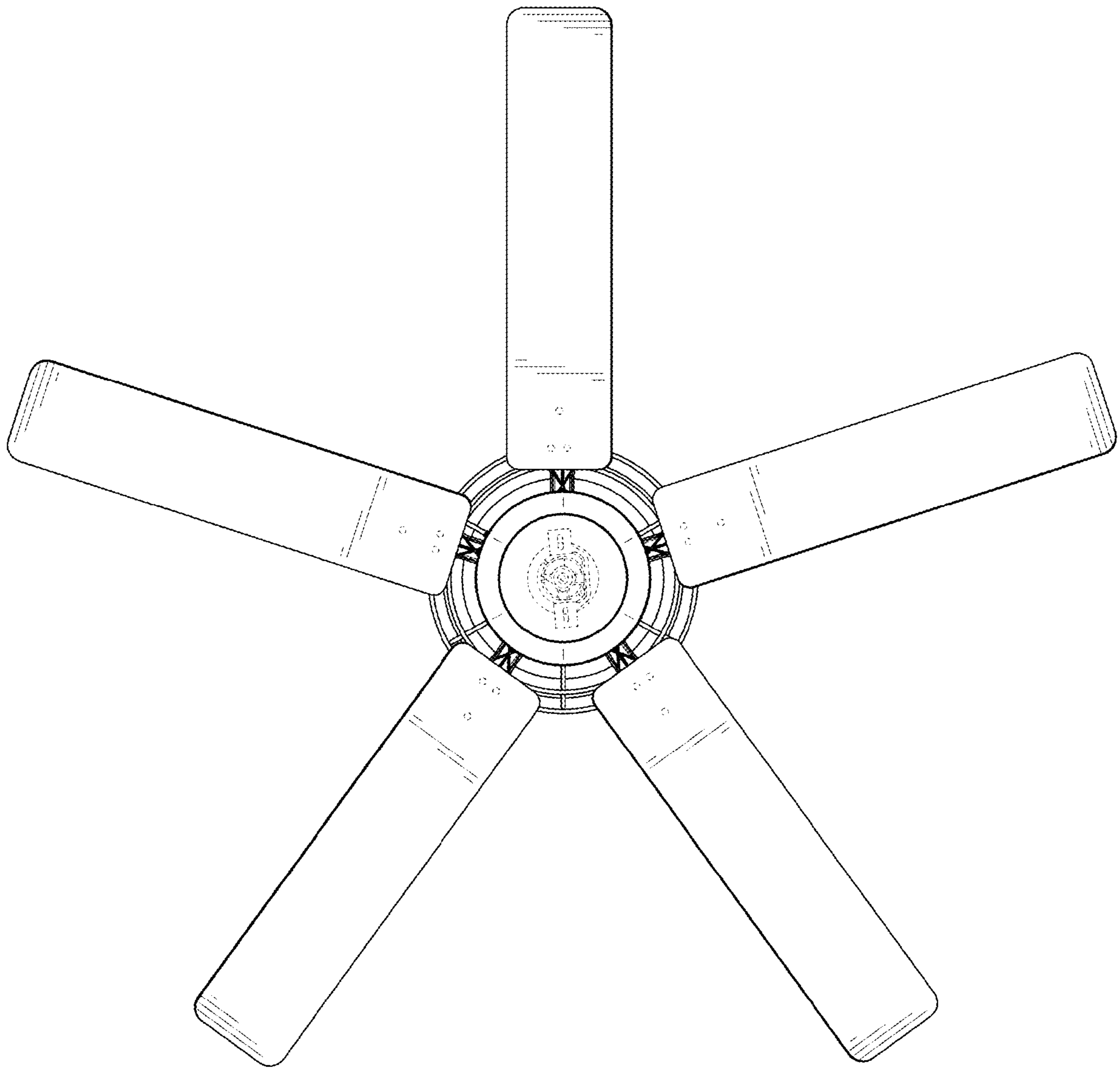


FIG. 7



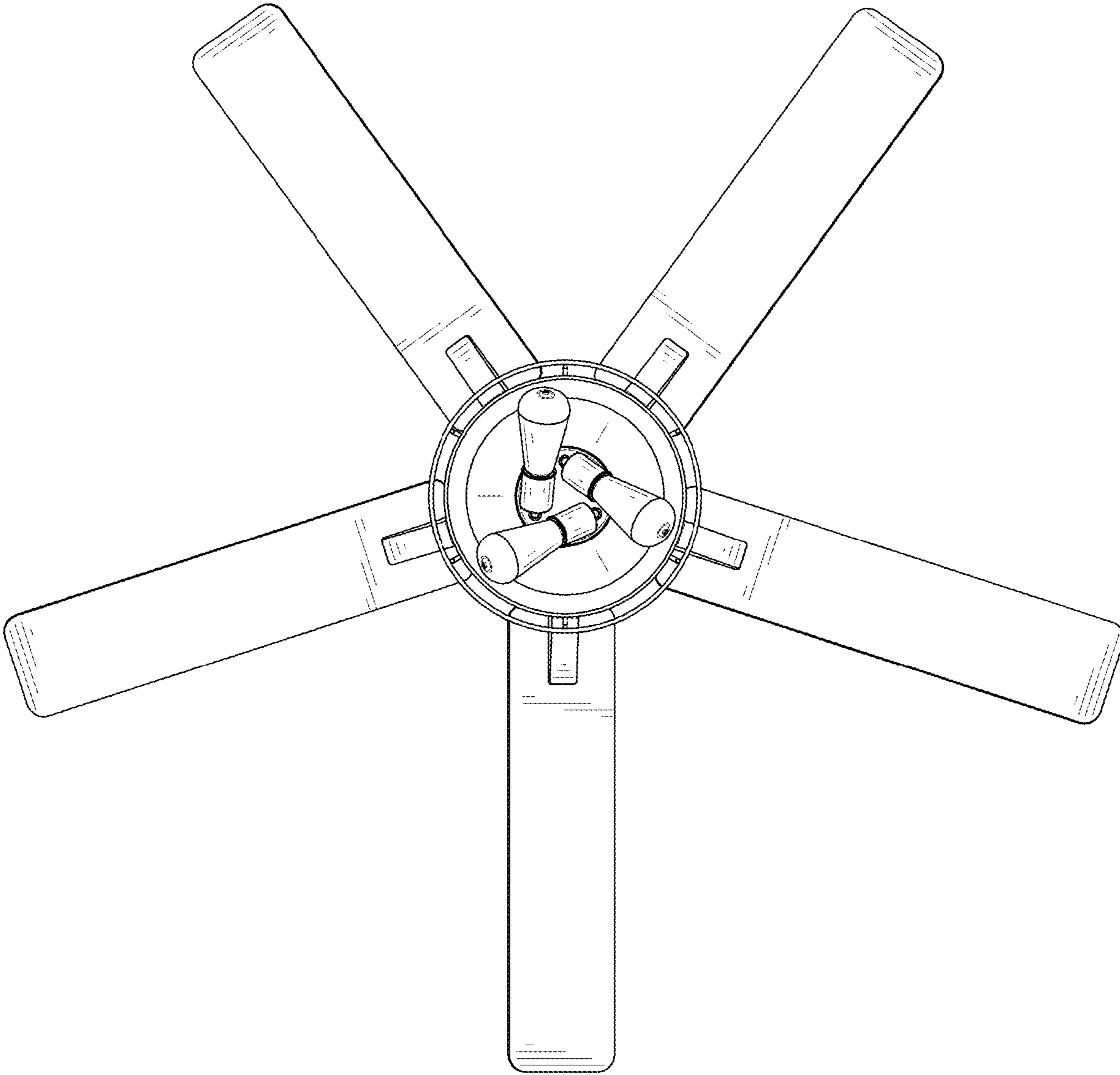


FIG. 8

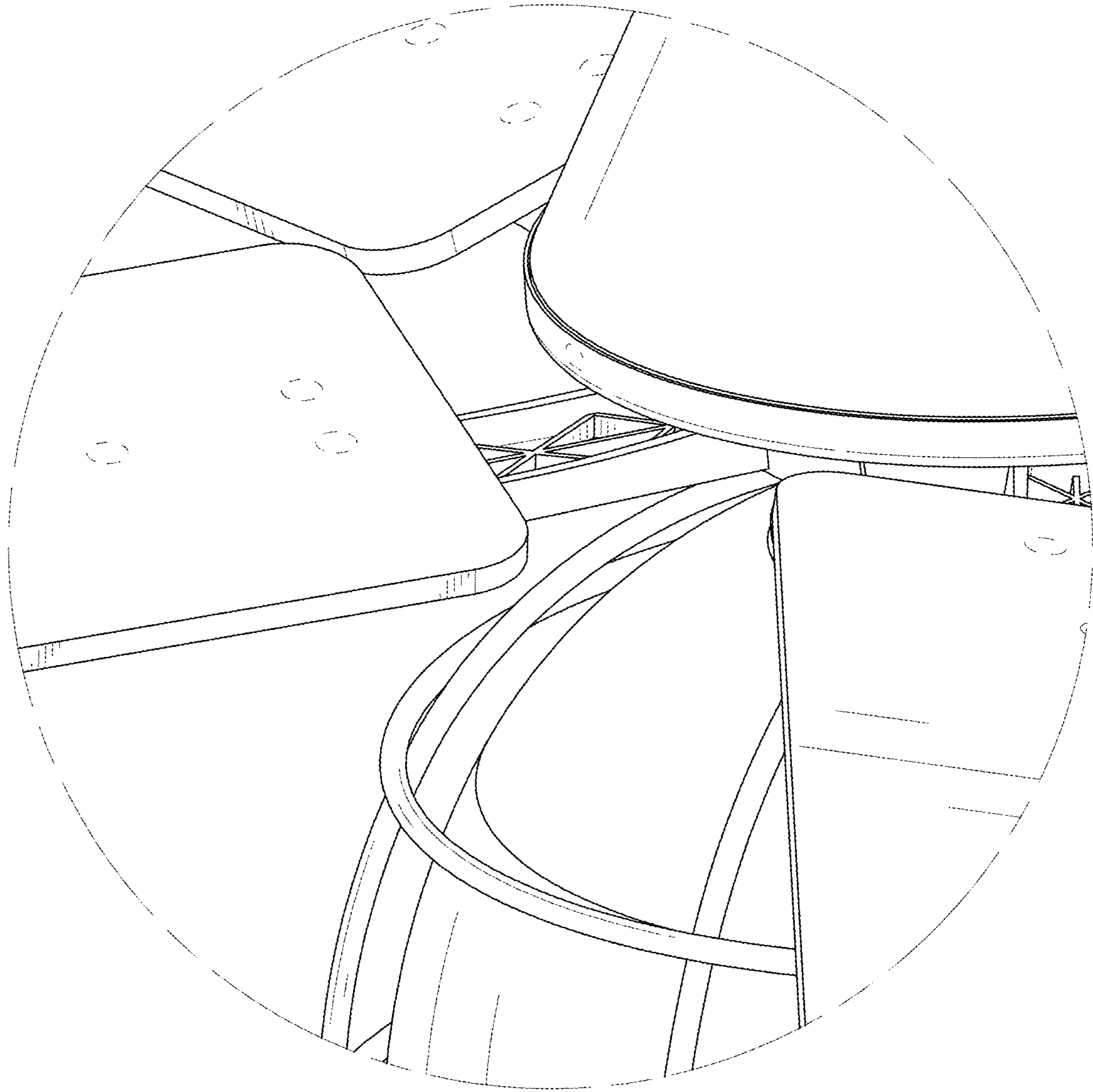


FIG. 9

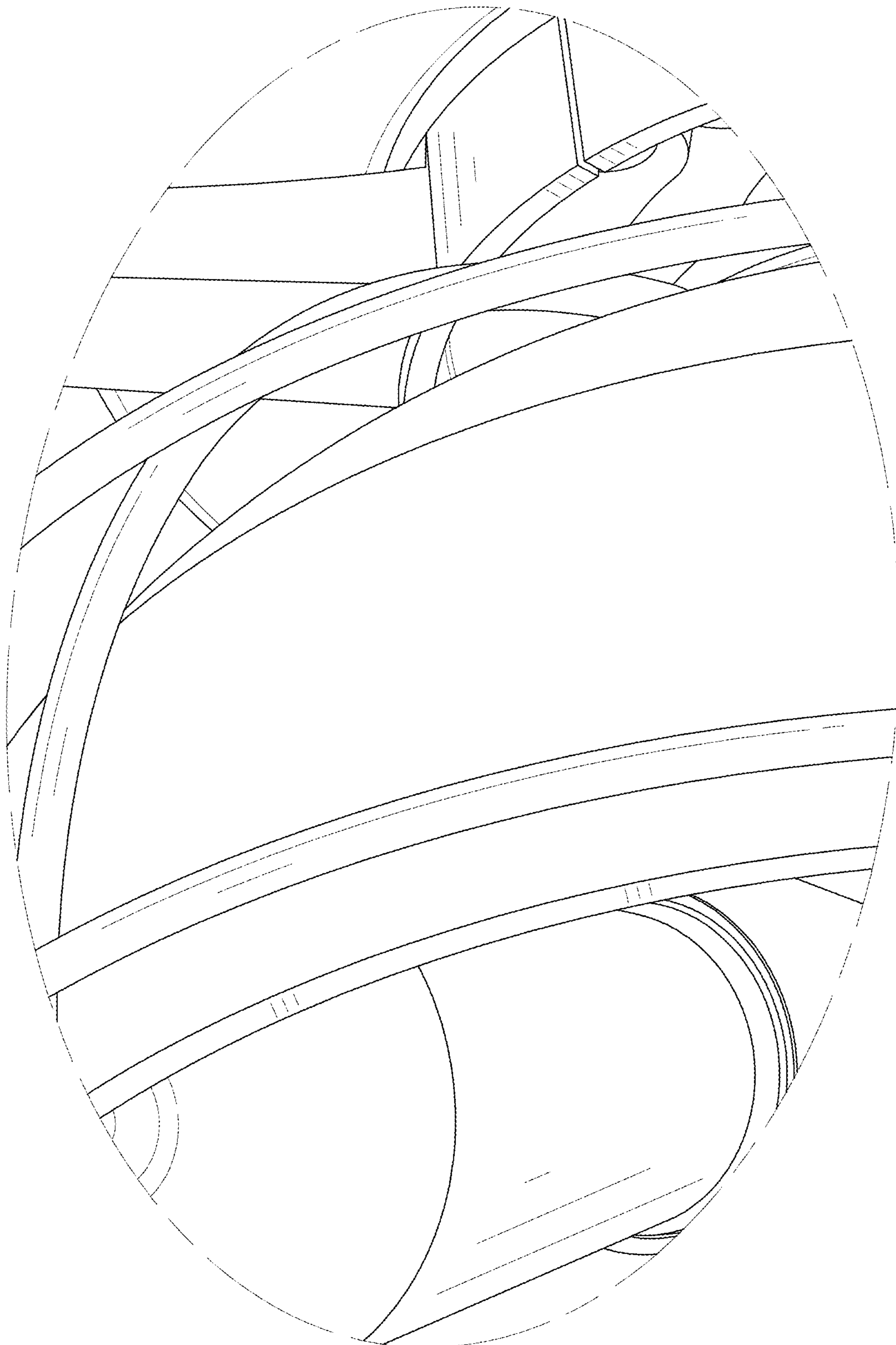


FIG. 10