



US0D1040299S

(12) **United States Design Patent** (10) **Patent No.:** **US D1,040,299 S**
Oesterle et al. (45) **Date of Patent:** **** Aug. 27, 2024**

(54) **FAUCET**

FOREIGN PATENT DOCUMENTS

(71) Applicant: **HANS GROHE SE**, Schiltach (DE)
(72) Inventors: **Matthias Oesterle**, Winterbach (DE);
Stefan Hasselwander, Esslingen (DE)

EC 000671029-0003 3/2007
EC 000671029-0004 3/2007
EC 002703371-0002 5/2015
EC 003064252-0007 4/2016
WO WO-2010083267 A1 * 7/2010 E03C 1/0404

(73) Assignee: **Hansgrohe SE**, Schiltach (DE)

OTHER PUBLICATIONS

(**) Term: **15 Years**

Delta Nicoli 1.2 GPM Widespread Bathroom Faucet with Push Pop-Up Drain Assembly Model:35849LF. <https://www.build.com/delta-35849lf/s1720414?uid=4066593&searchId=vW7ilbXi5T> (Year: 2020).*

(21) Appl. No.: **29/887,411**

(22) Filed: **Mar. 21, 2023**

* cited by examiner

(30) **Foreign Application Priority Data**

Sep. 23, 2022 (EM) 009183379-0007

Primary Examiner — Robert A Delehanty

(51) **LOC (14) Cl.** **23-01**

(74) *Attorney, Agent, or Firm* — Lora J. Graentzdoerffer

(52) **U.S. Cl.**

USPC **D23/239**

(58) **Field of Classification Search**

USPC D23/238, 241–242, 249, 252, 255, 257;
D8/307–308

CPC E03C 1/04; E03C 1/0404; E03C 1/0412;
E03C 1/042; Y10T 137/9464; F16K
19/006; F16K 11/207

See application file for complete search history.

(57) **CLAIM**

The ornamental design for a faucet, as shown and described.

DESCRIPTION

FIG. 1 is a perspective view of a faucet showing our design; FIG. 2 is a front elevational view; FIG. 3 is a rear elevational view; FIG. 4 is a side elevational view; FIG. 5 is a side elevational view; FIG. 6 is a top plan view; and FIG. 7 is a bottom plan view; and, FIG. 8 is an enlarged view of a portion of FIG. 2 to show detail.

The broken-line disclosures in the drawings represent portions of a faucet that form no part of the claimed design.

(56) **References Cited**

U.S. PATENT DOCUMENTS

D535,725 S * 1/2007 Chu D23/242
D624,991 S * 10/2010 Kulig D23/242
D747,443 S * 1/2016 Flowers D23/255
D912,781 S * 3/2021 He D23/242
D949,293 S * 4/2022 Lamis D23/255
D973,846 S * 12/2022 Pan D23/241
D984,590 S * 4/2023 Yang D23/241
D1,000,589 S * 10/2023 He D23/242
2021/0140155 A1 * 5/2021 Rowe E03C 1/0404

1 Claim, 8 Drawing Sheets

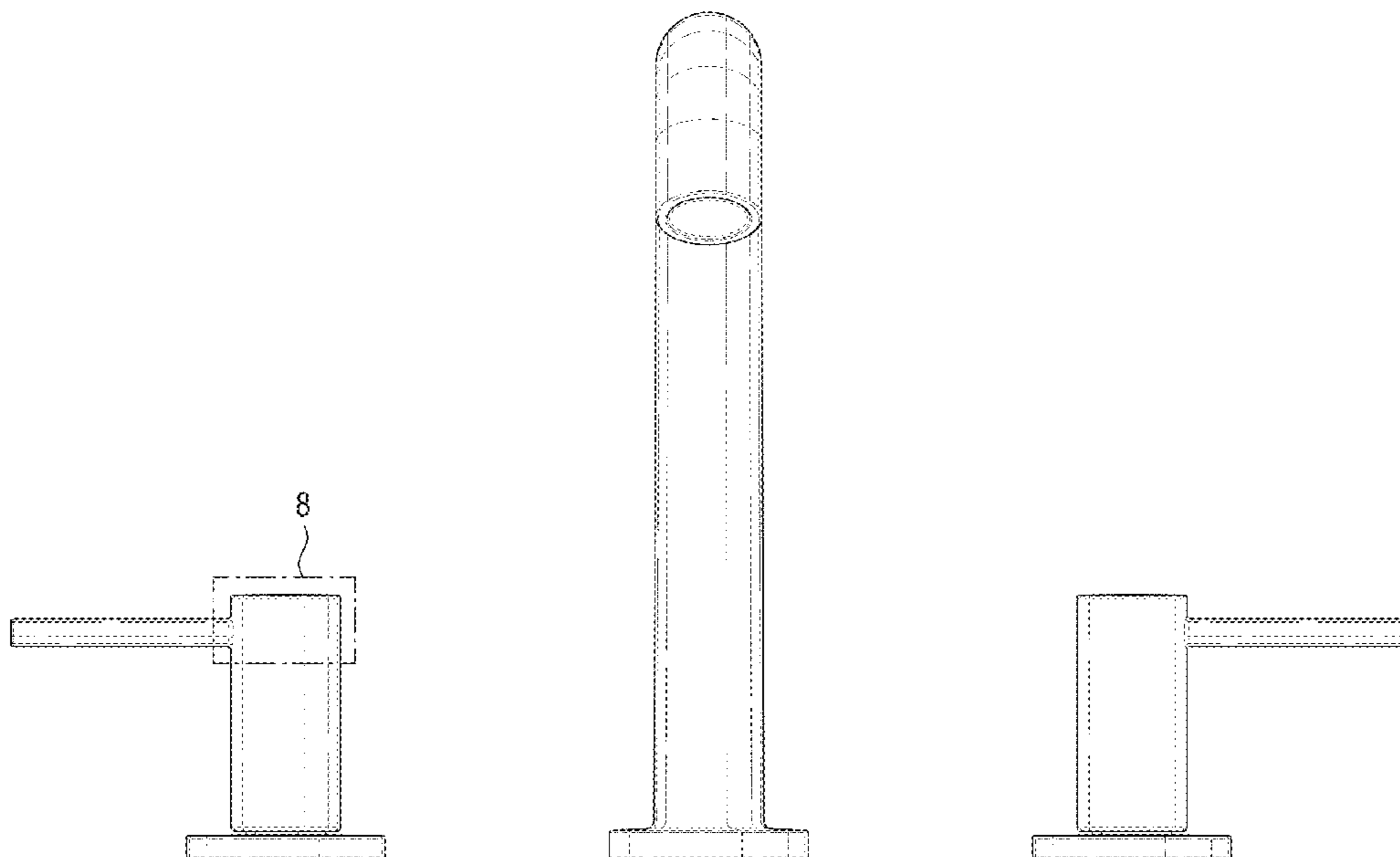


FIG. 1

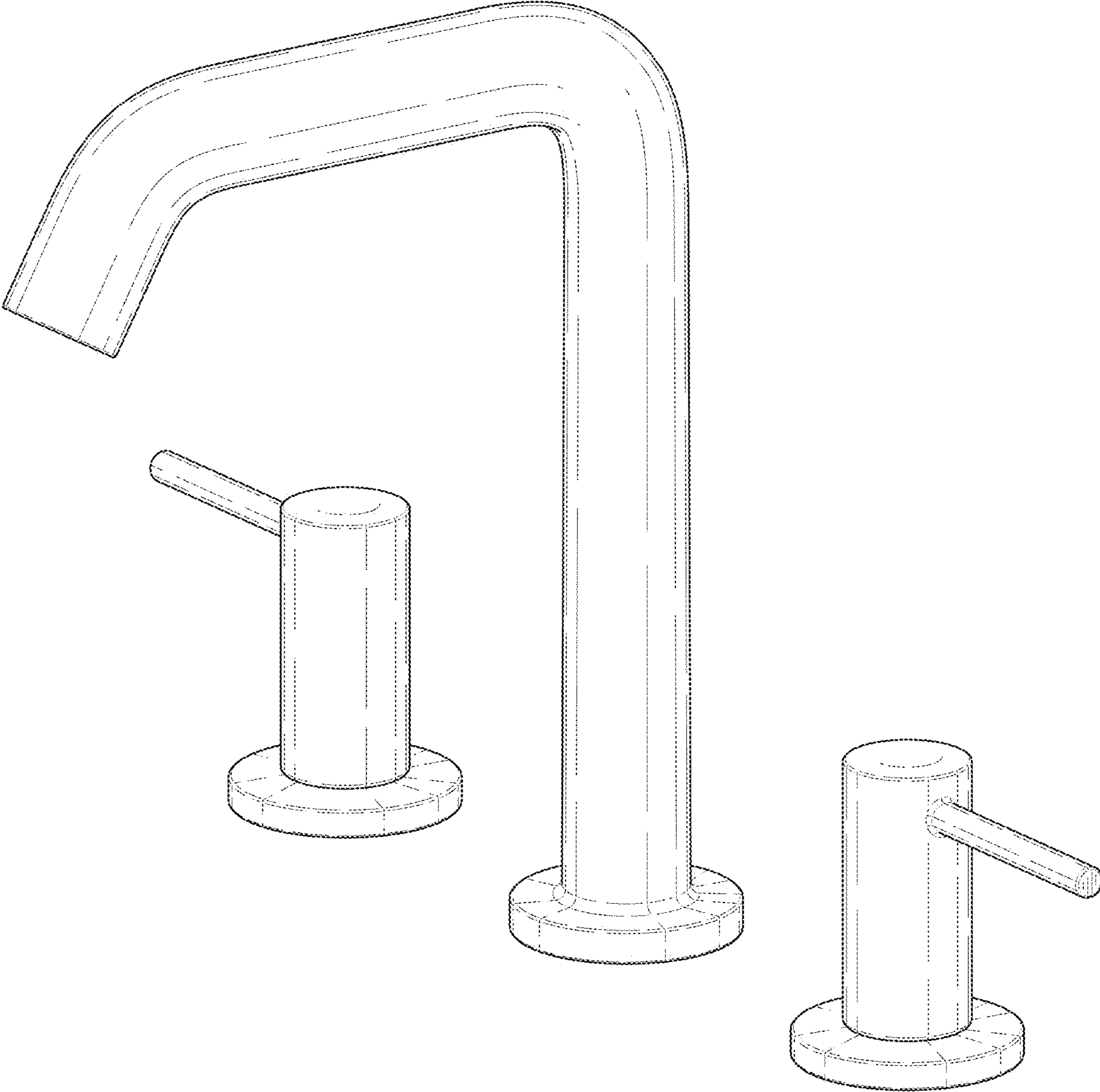


FIG. 2

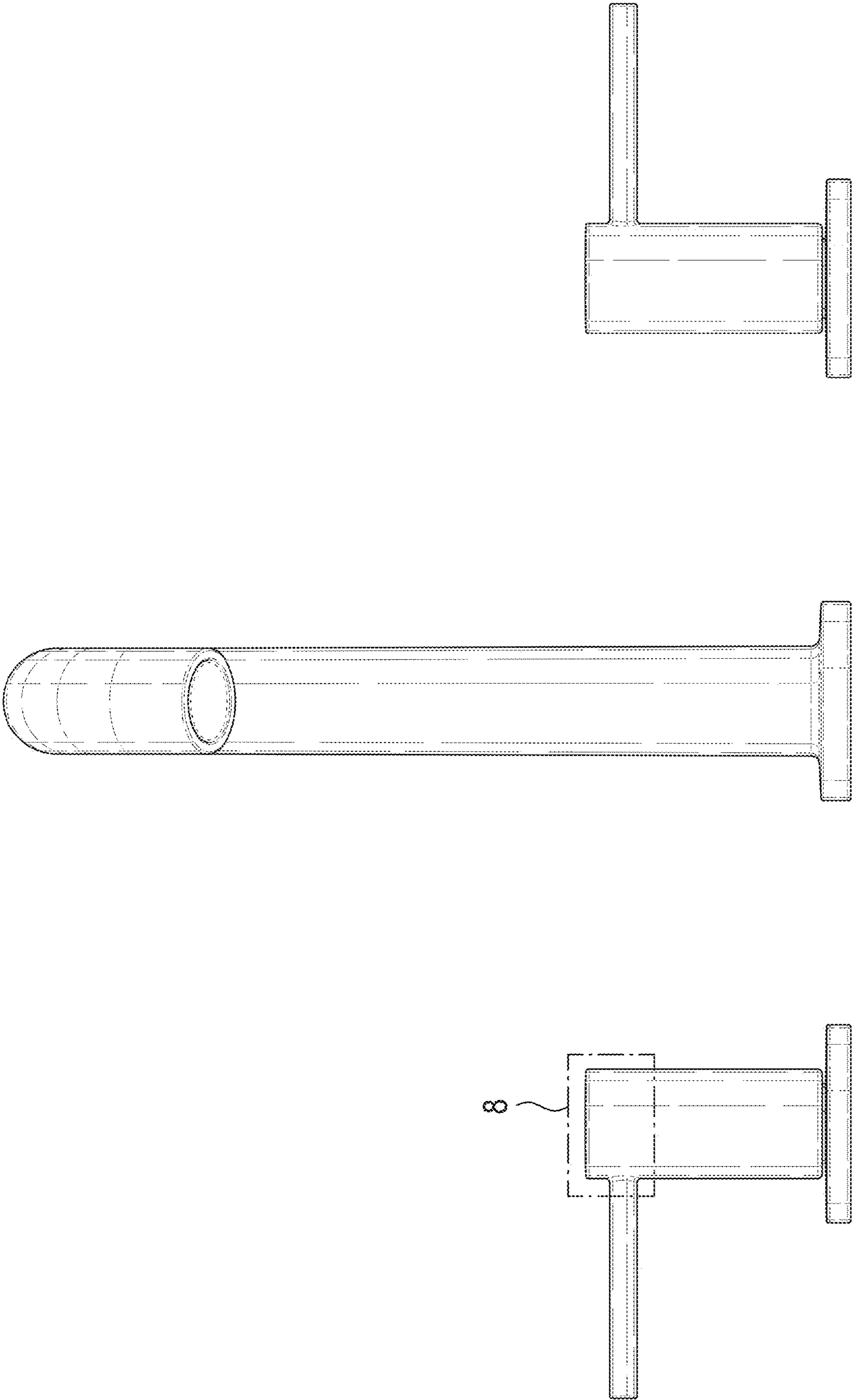


FIG. 3

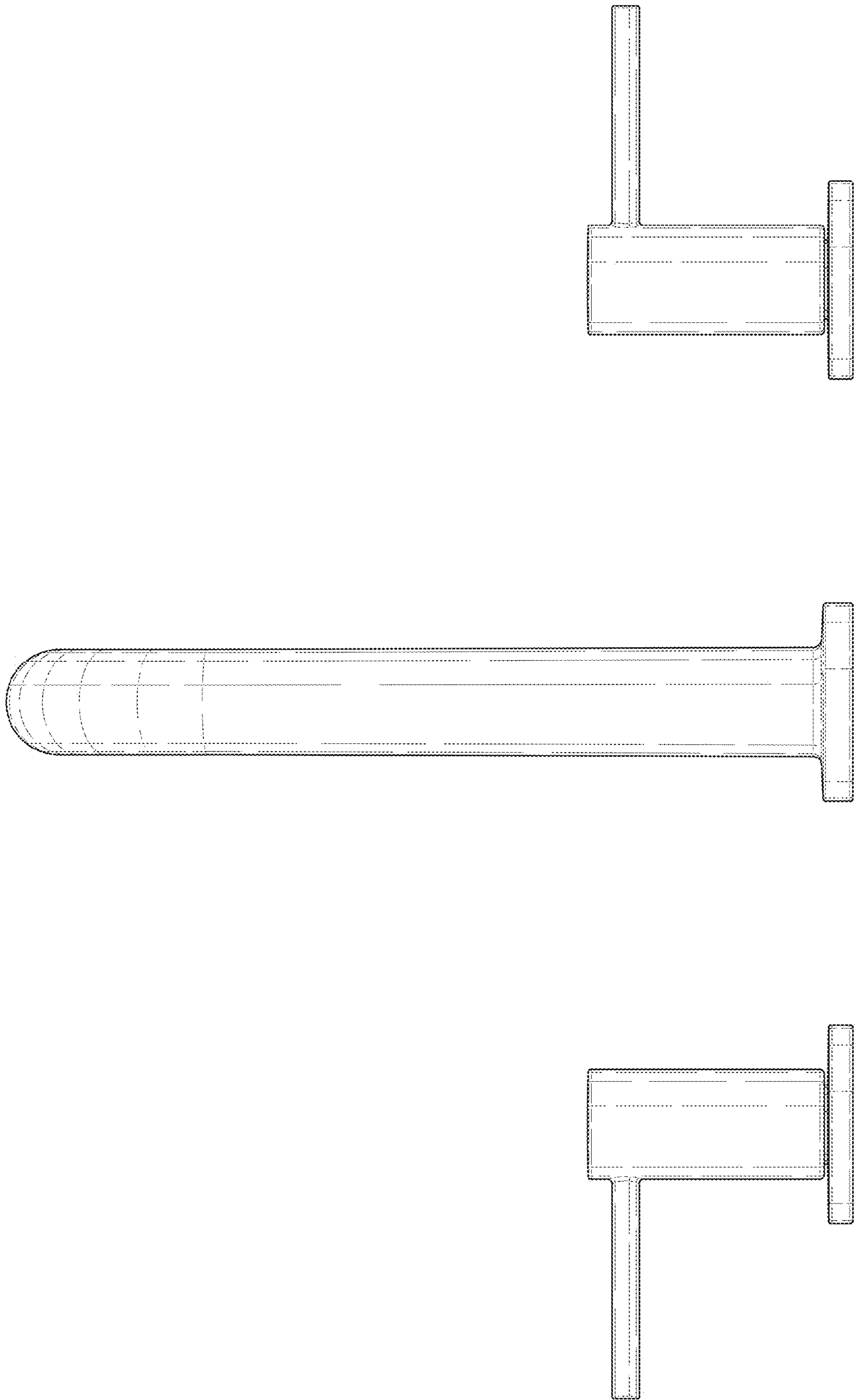


FIG. 4

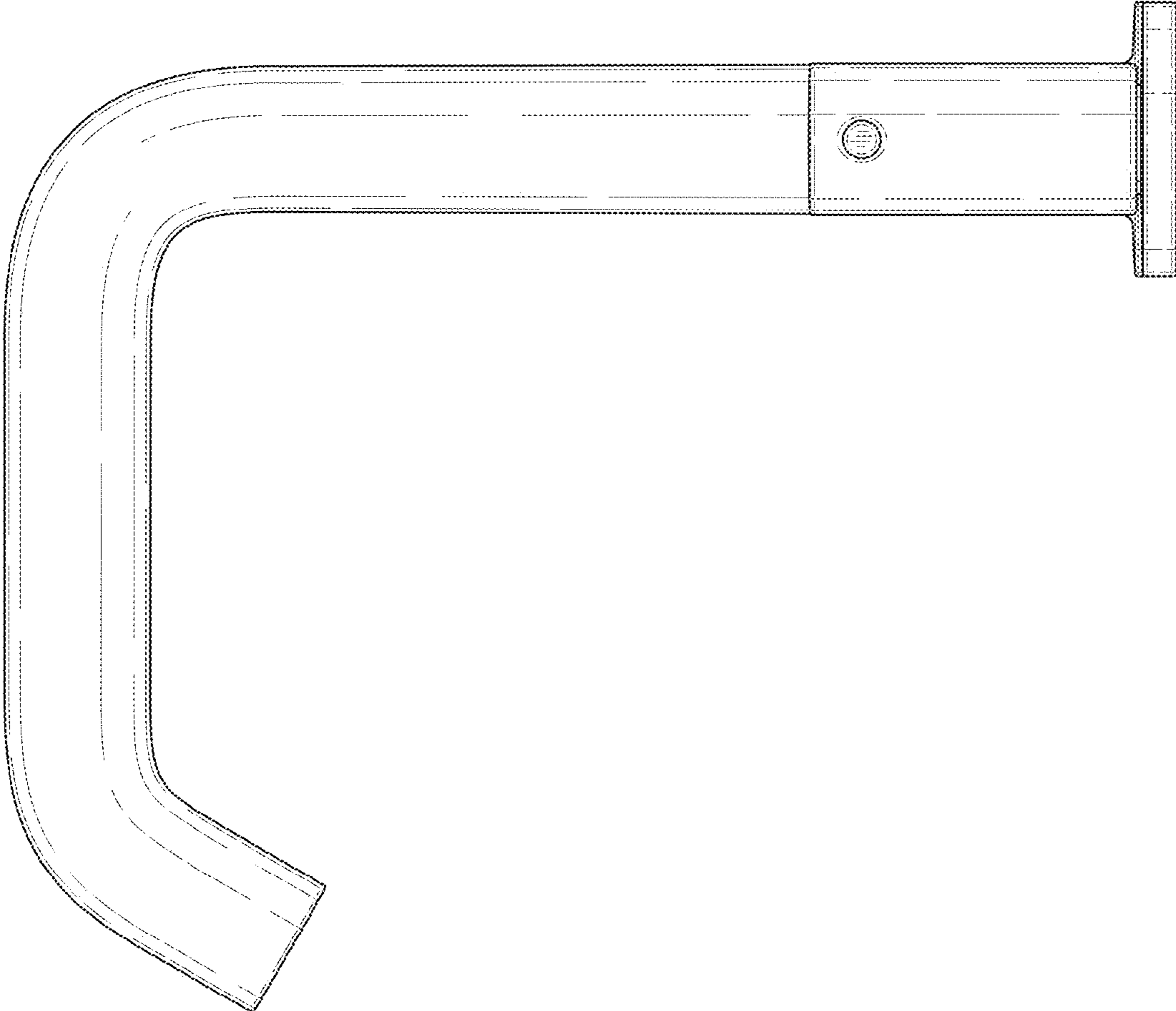


FIG. 5

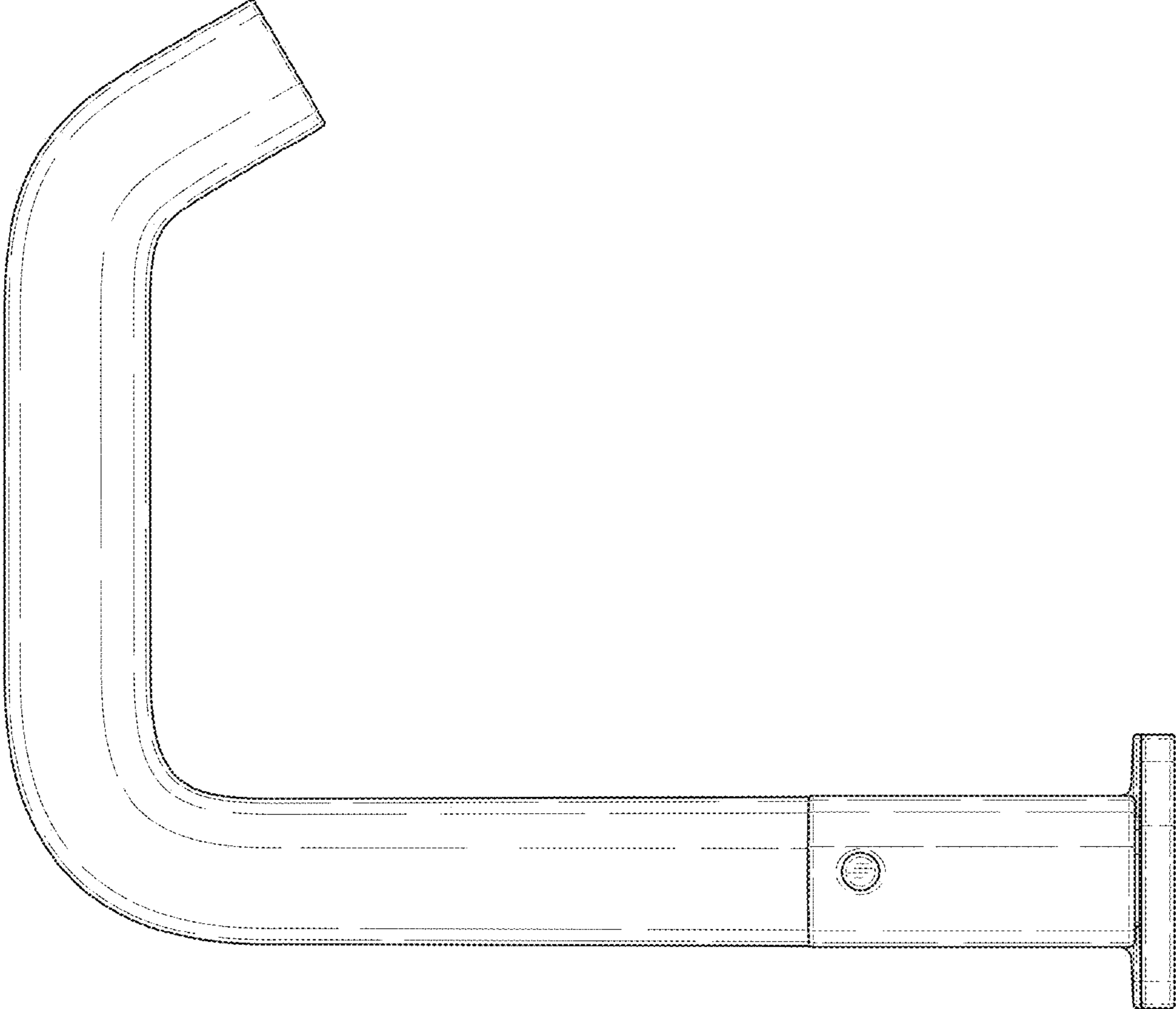


FIG. 6

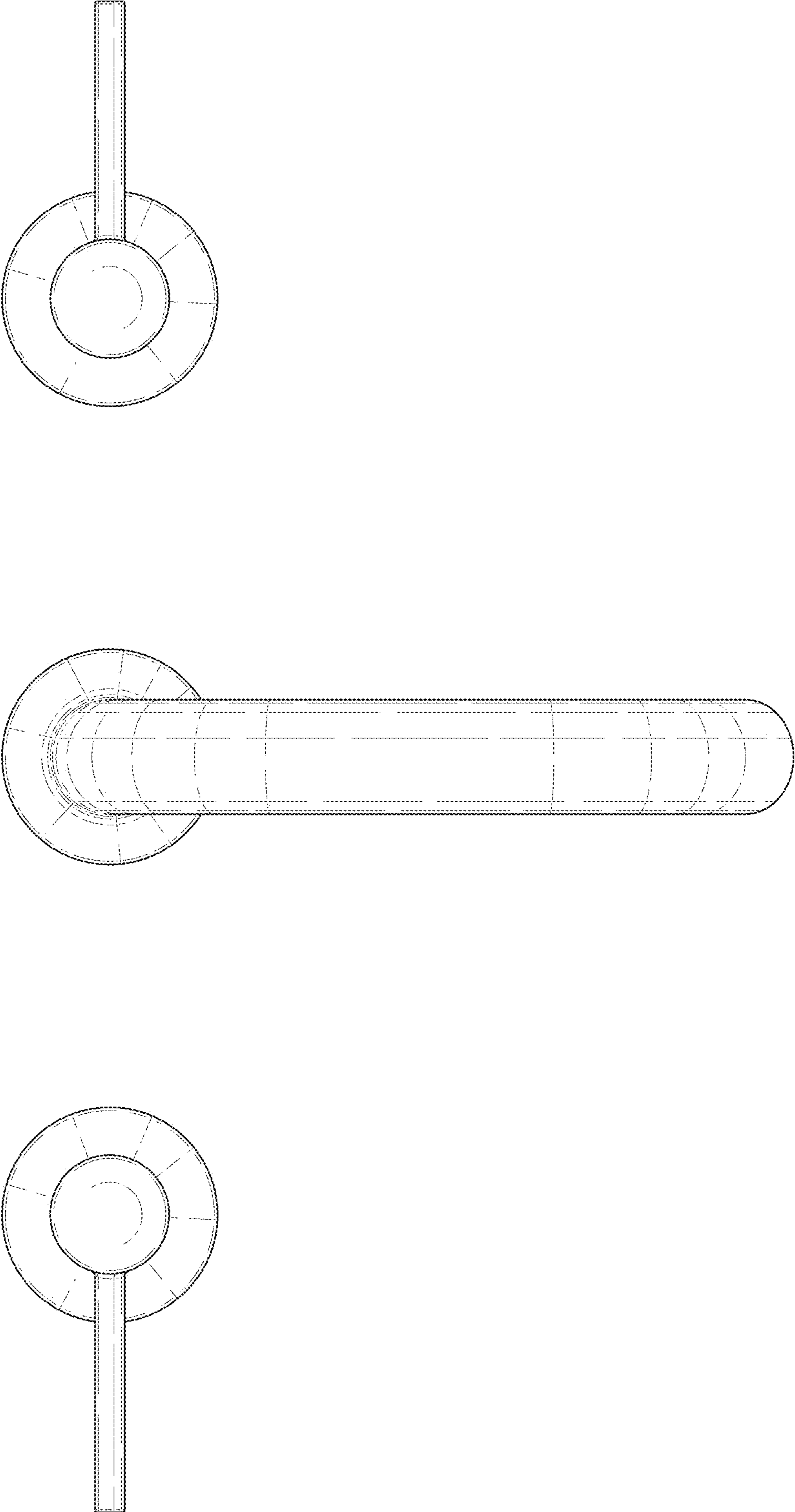


FIG. 7

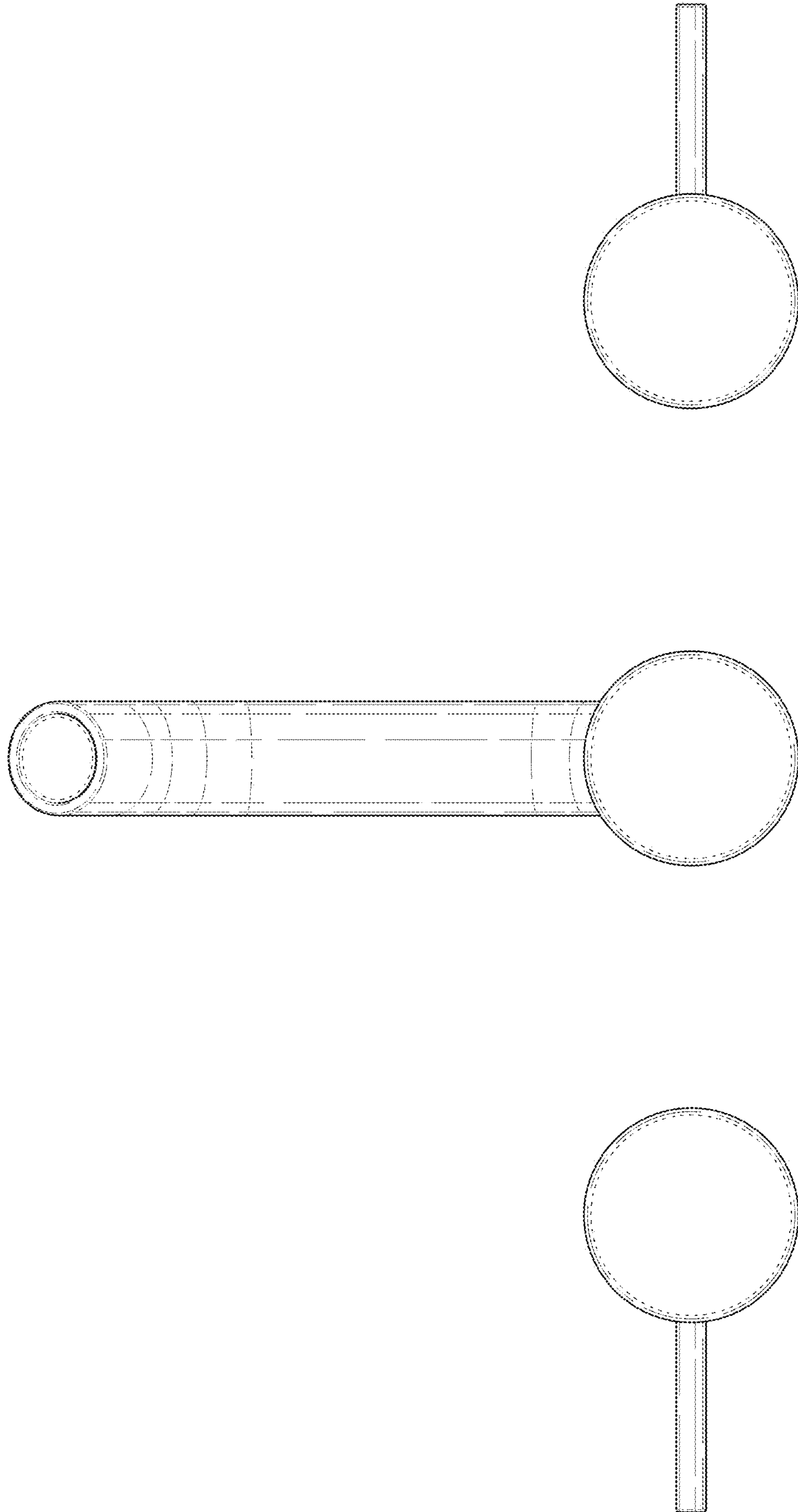


FIG. 8

