



US0D1040265S

(12) **United States Design Patent** (10) **Patent No.:** **US D1,040,265 S**
Lv (45) **Date of Patent:** **** Aug. 27, 2024**

(54) **FITNESS HANDLE**

(71) Applicant: **Zejie Lv**, Yongkang (CN)

(72) Inventor: **Zejie Lv**, Yongkang (CN)

(**) Term: **15 Years**

(21) Appl. No.: **29/929,130**

(22) Filed: **Feb. 20, 2024**

(51) **LOC (14) Cl.** **21-02**

(52) **U.S. Cl.**
USPC **D21/694**

(58) **Field of Classification Search**
USPC D21/687, 686, 673, 692, 693, 694, 662,
D21/423, 682, 684, 665, 679
CPC A63B 21/055; A63B 21/00; A63B 1/00;
A63B 21/072; A63B 21/0728; A63B
21/0726; A63B 21/0724
See application file for complete search history.

(56) **References Cited**

U.S. PATENT DOCUMENTS

- 664,210 A * 12/1900 Bryon, Jr. A63B 21/0552
482/129
- 7,108,641 B2 * 9/2006 Pertegaz-Esteban
A63B 21/4017
482/92
- D587,767 S * 3/2009 Hauser D21/662
- 7,935,028 B2 * 5/2011 Ketomaki A63B 21/4035
482/52
- D652,091 S 1/2012 Gellatly et al.
- D704,779 S 5/2014 Boatwright
- 9,724,558 B2 * 8/2017 Chen A63B 21/4033
- D860,341 S 9/2019 Mantione, III
- D893,640 S * 8/2020 Jelen D21/679
- D913,387 S 3/2021 Li et al.
- D924,626 S 7/2021 Wang et al.

- D967,308 S * 10/2022 Zhong D21/692
- D1,001,927 S * 10/2023 Dominguez D21/692
- 2013/0288864 A1 * 10/2013 Holland A63B 21/4033
482/126
- 2014/0221178 A1 * 8/2014 Wagner A63B 21/00043
482/126
- 2015/0005143 A1 * 1/2015 Liu A63B 21/4035
482/129

OTHER PUBLICATIONS

Yes4all, announced 2018 [online], [site visited Apr. 4, 2024]. Available on internet, URL:https://www.amazon.com/Yes4All-Rotating-Pull-Up-Handles/dp/B07JC43D2P (Year: 2018).*
Fitbar store, announced 2017 [online], [site visited Apr. 4, 2024]. Available on internet, URL:https://www.amazon.com/Heavy-Handles-Neutral-Twist-Motion/dp/B07693DHFD (Year: 2017).*

* cited by examiner

Primary Examiner — Michelle E. Wilson
Assistant Examiner — Julice Seung Eun Oum

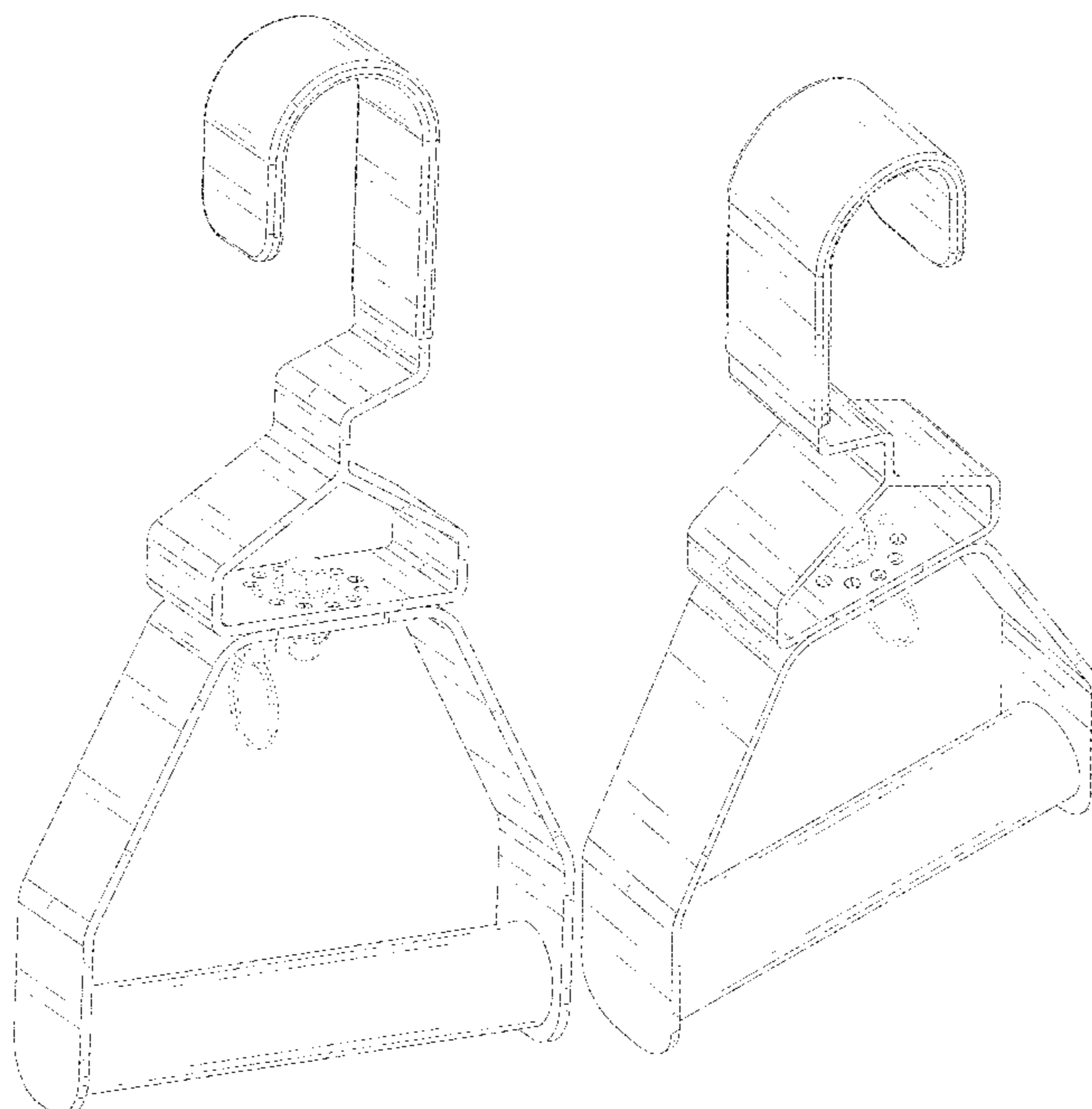
(57) **CLAIM**

The ornamental design for a fitness handle, as shown and described.

DESCRIPTION

FIG. 1 is a front, right and top perspective view of a fitness handle showing my new design;
FIG. 2 is a rear, left and bottom perspective view thereof;
FIG. 3 is a front view thereof;
FIG. 4 is a rear view thereof;
FIG. 5 is a right view thereof;
FIG. 6 is a left view thereof;
FIG. 7 is a top view thereof; and,
FIG. 8 is a bottom view thereof.
The broken lines illustrate portions of the article that form no part of the claimed design.

1 Claim, 8 Drawing Sheets



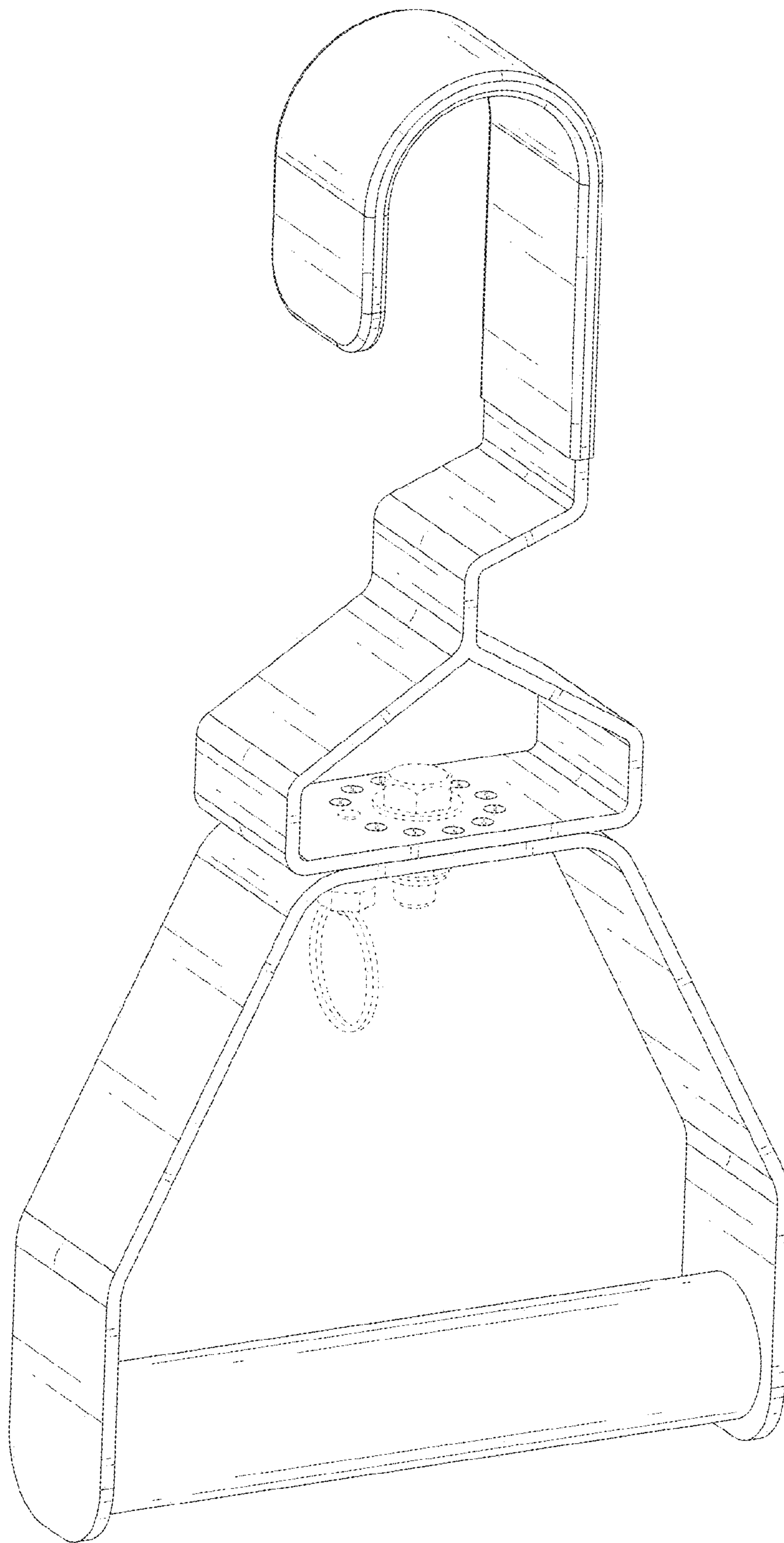


FIG. 1

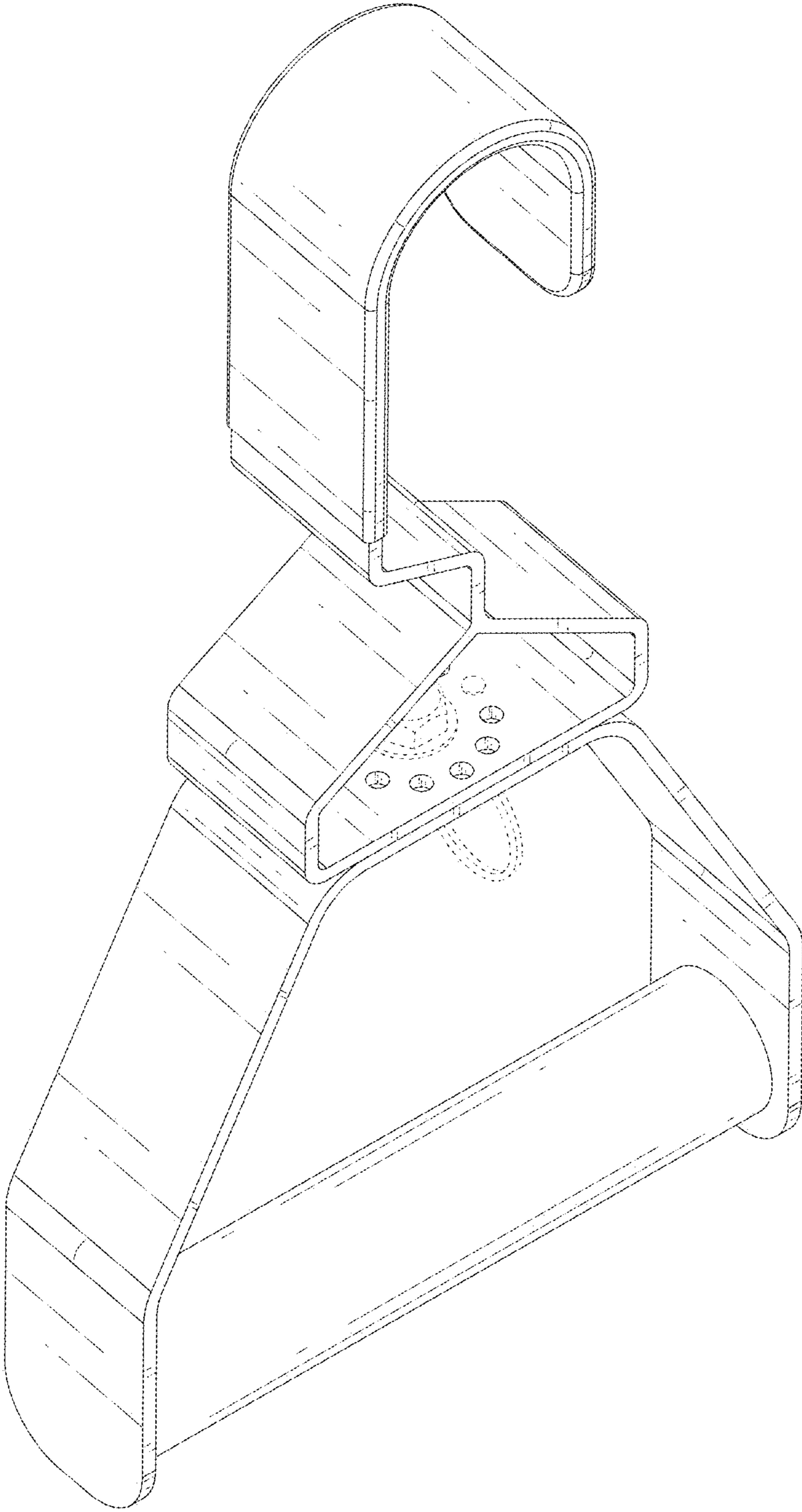


FIG. 2

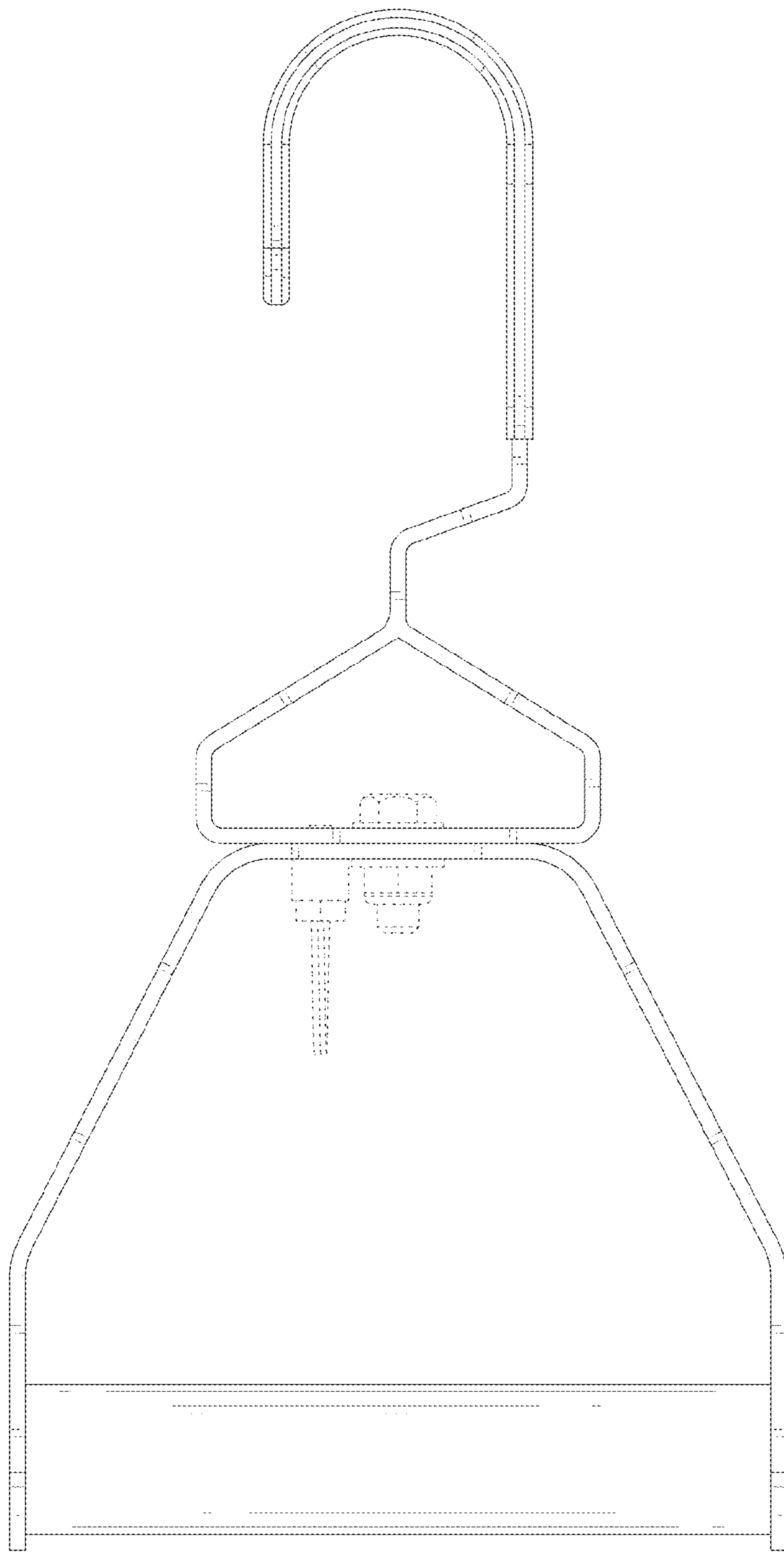


FIG. 3

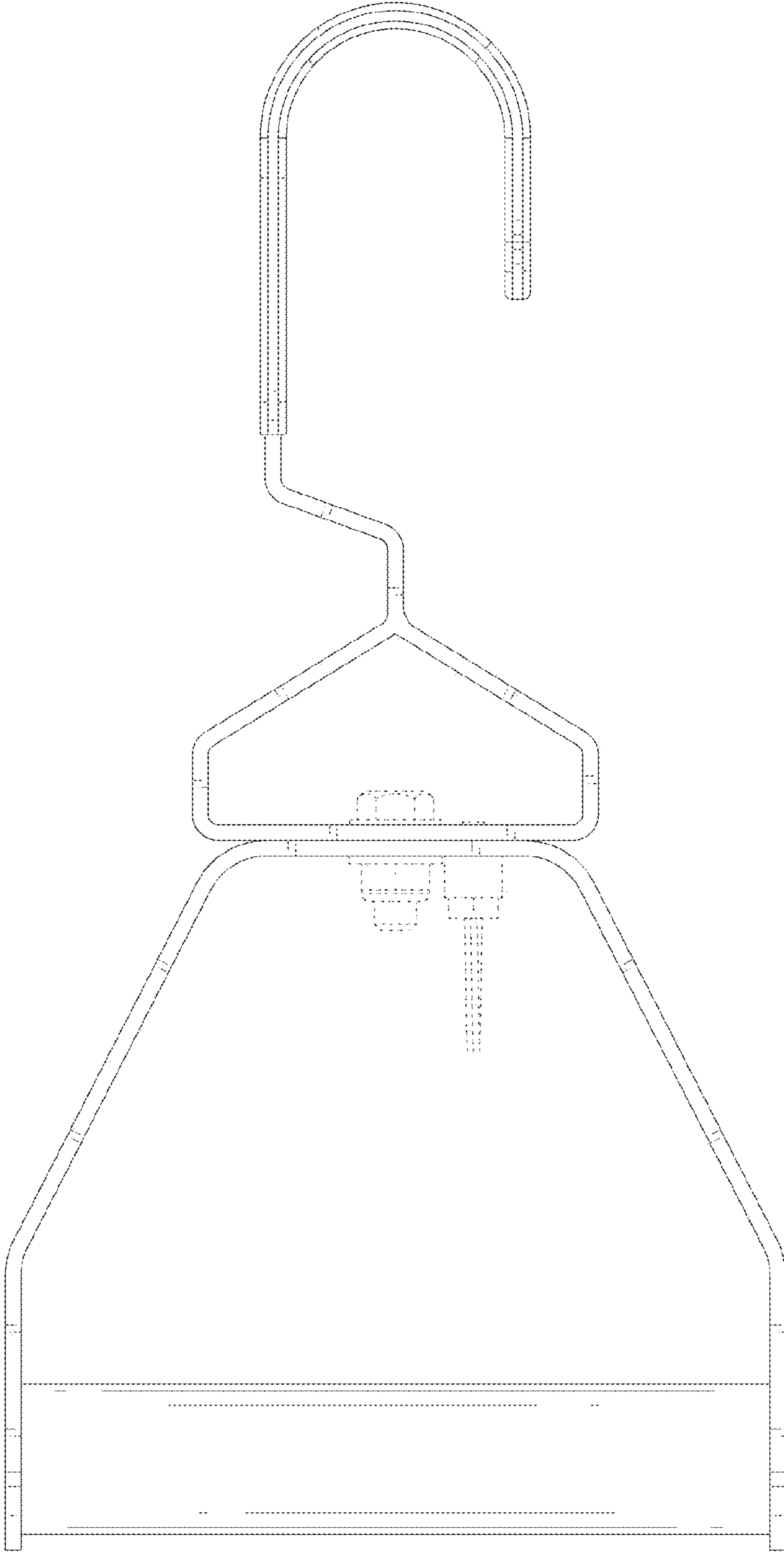


FIG. 4

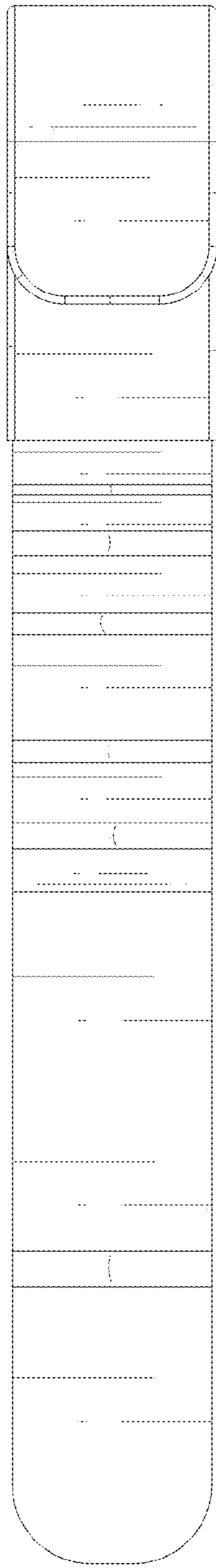


FIG. 5

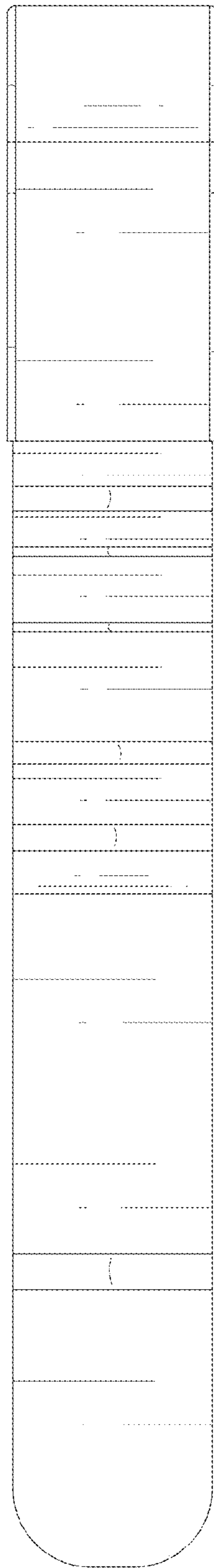


FIG. 6

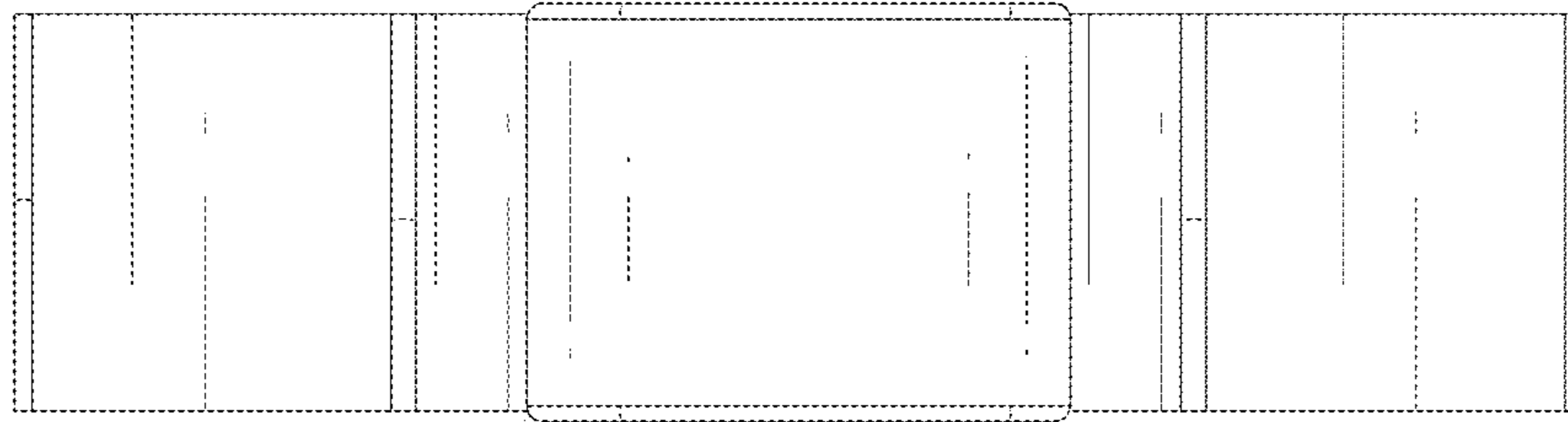


FIG. 7

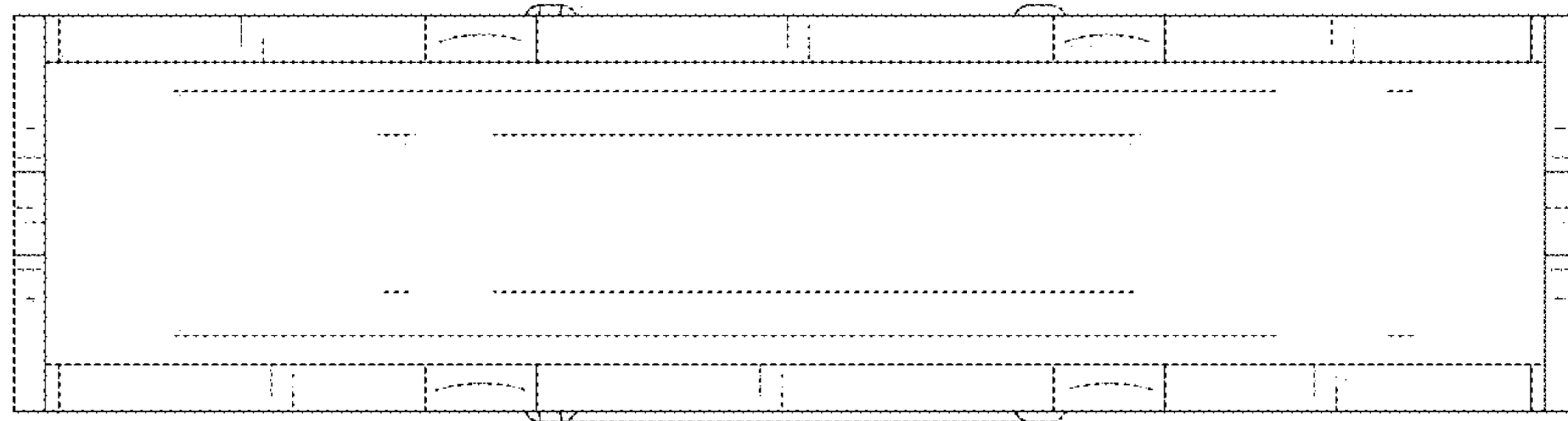


FIG. 8