



US0D1040255S

(12) **United States Design Patent** (10) **Patent No.:** **US D1,040,255 S**  
**Ewing et al.** (45) **Date of Patent:** **\*\* Aug. 27, 2024**

(54) **MODEL VEHICLE ENGINE COVER**

(71) Applicant: **TRAXXAS, L.P.**, McKinney, TX (US)

(72) Inventors: **Adam Cole Ewing**, McKinney, TX (US); **Kent Poteet**, Lucas, TX (US); **Casey Christen Jens Christensen**, McKinney, TX (US); **Otto Karl Allmendinger**, Rowlett, TX (US); **Skylar Hagler**, Anna, TX (US); **Jory Sprowl**, Honey Grove, TX (US)

(73) Assignee: **TRAXXAS, L.P.**, McKinney, TX (US)

(\*\*) Term: **15 Years**

(21) Appl. No.: **29/847,778**

(22) Filed: **Jul. 27, 2022**

(51) **LOC (14) Cl.** ..... **21-01**

(52) **U.S. Cl.**  
USPC ..... **D21/561**

(58) **Field of Classification Search**  
USPC ..... D21/433, 495, 533, 561, 562, 563;  
D12/81, 92, 114, 126, 159, 160, 167, 172,  
D12/190, 204, 317, 327, 401; D15/5, 17,  
D15/28, 31, 122; D13/110  
CPC ..... F02F 7/0046; F02F 7/0065; F02F  
2007/0075; A63H 17/262; A63H 17/26;  
A63H 17/002; A63H 29/24  
See application file for complete search history.

(56) **References Cited**

**U.S. PATENT DOCUMENTS**

D784,426 S \* 4/2017 Okuyama ..... D15/31  
D826,154 S \* 8/2018 Ceravalo ..... D13/110  
D903,726 S \* 12/2020 Moore ..... D15/31  
D985,497 S \* 5/2023 Ma ..... D13/110  
D1,017,722 S \* 3/2024 Christensen ..... D21/561  
D1,018,382 S \* 3/2024 Ewing ..... D12/160

D1,019,480 S \* 3/2024 Collins ..... D12/160  
D1,028,848 S \* 5/2024 Tian ..... D8/323  
D1,030,910 S \* 6/2024 Poteet ..... D21/495  
2024/0115965 A1 \* 4/2024 Christensen ..... A63H 17/262

**FOREIGN PATENT DOCUMENTS**

EM 15009705-0024 \* 2/2023

**OTHER PUBLICATIONS**

Traxxas XRT 8S Extreme 4WD Brushless RTR Race Monster Truck (Green) w/TQi 2.4GHz Radio & TSM, as shown in www.hobbytown.com, Nov. 18, 2022, Part # TRA78086-4-GRN. (Year: 2022).\*

(Continued)

*Primary Examiner* — Gino Colan

*Assistant Examiner* — Gregory G McLemore

(74) *Attorney, Agent, or Firm* — Daryl R. Wright; Greg Carr

(57) **CLAIM**

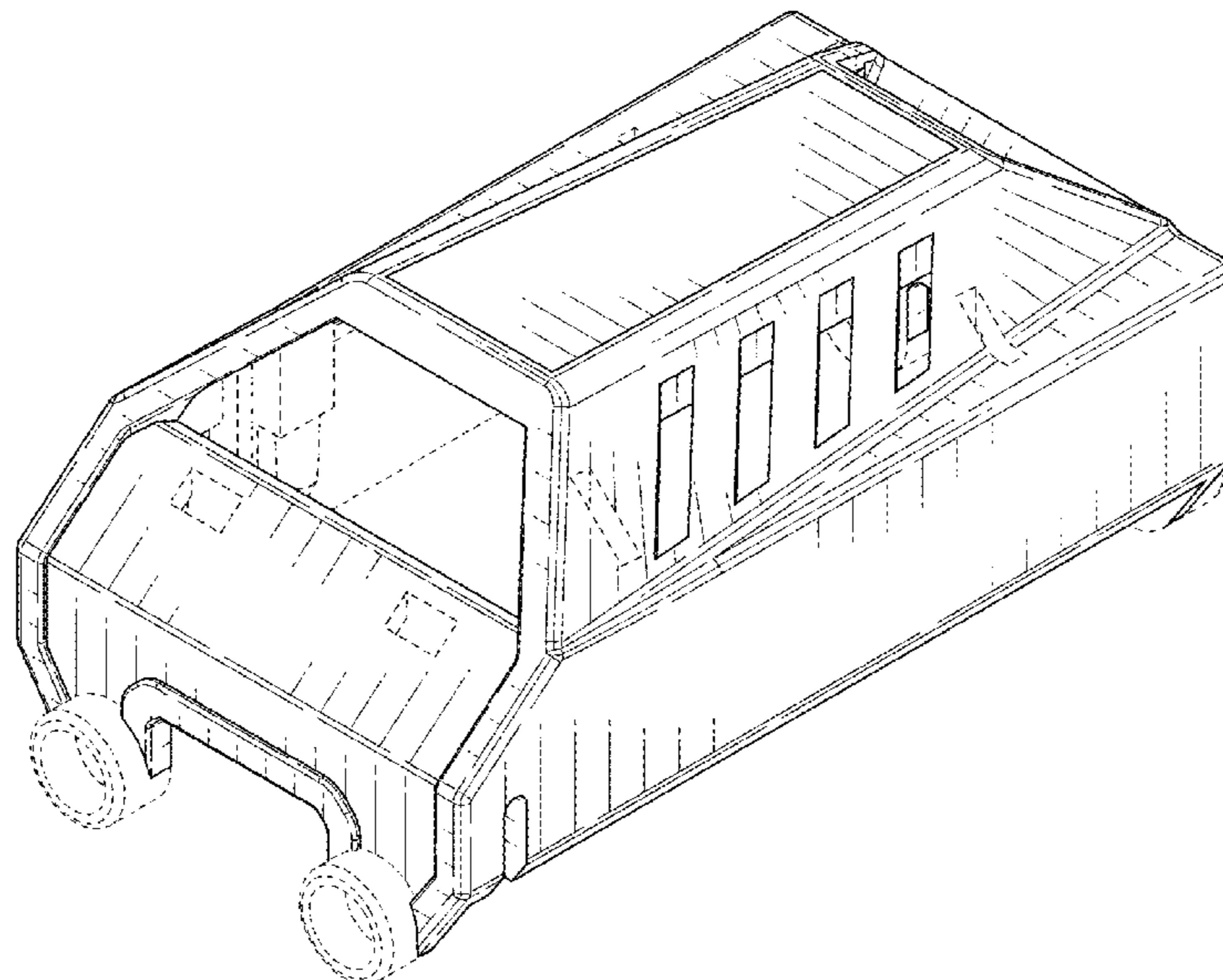
We claim the ornamental design for a model vehicle engine cover, as shown and described.

**DESCRIPTION**

FIG. 1 is an upper, left, front perspective view of a model vehicle engine cover showing our new design;  
FIG. 2 is a front elevation view thereof;  
FIG. 3 is a rear elevation view thereof;  
FIG. 4 is a right side elevation view thereof;  
FIG. 5 is a left side elevation view thereof;  
FIG. 6 is an upper plan view thereof;  
FIG. 7 is a lower plan view thereof;  
FIG. 8 is an upper, right, rear perspective view thereof; and,  
FIG. 9 is a lower, right, rear perspective view of the model vehicle engine cover.

In the drawings, the broken lines illustrate portions of the model vehicle engine cover that form no part of the claimed design.

**1 Claim, 6 Drawing Sheets**



(56)

**References Cited**

OTHER PUBLICATIONS

Traxxas Low Profile Dual Cooling Fan Shroud, as shown in [www.hobbytown.com](http://www.hobbytown.com), May 19, 2023, Part # TRA3474X. (Year: 2023).\*

Traxxas Velineon 1200XL Dual Cooling Fan Kit, as shown in [www.amainhobbies.com](http://www.amainhobbies.com). Jun. 6, 2017, Part # TRA3474. (Year: 2017).\*

RC4WD V8 Engine Cover w/Metal Intake Set (for R3 Transmission), as shown in [www.amainhobbies.com](http://www.amainhobbies.com), Sep. 12, 2017, Part# RC4ZS1749. (Year: 2017).\*

\* cited by examiner

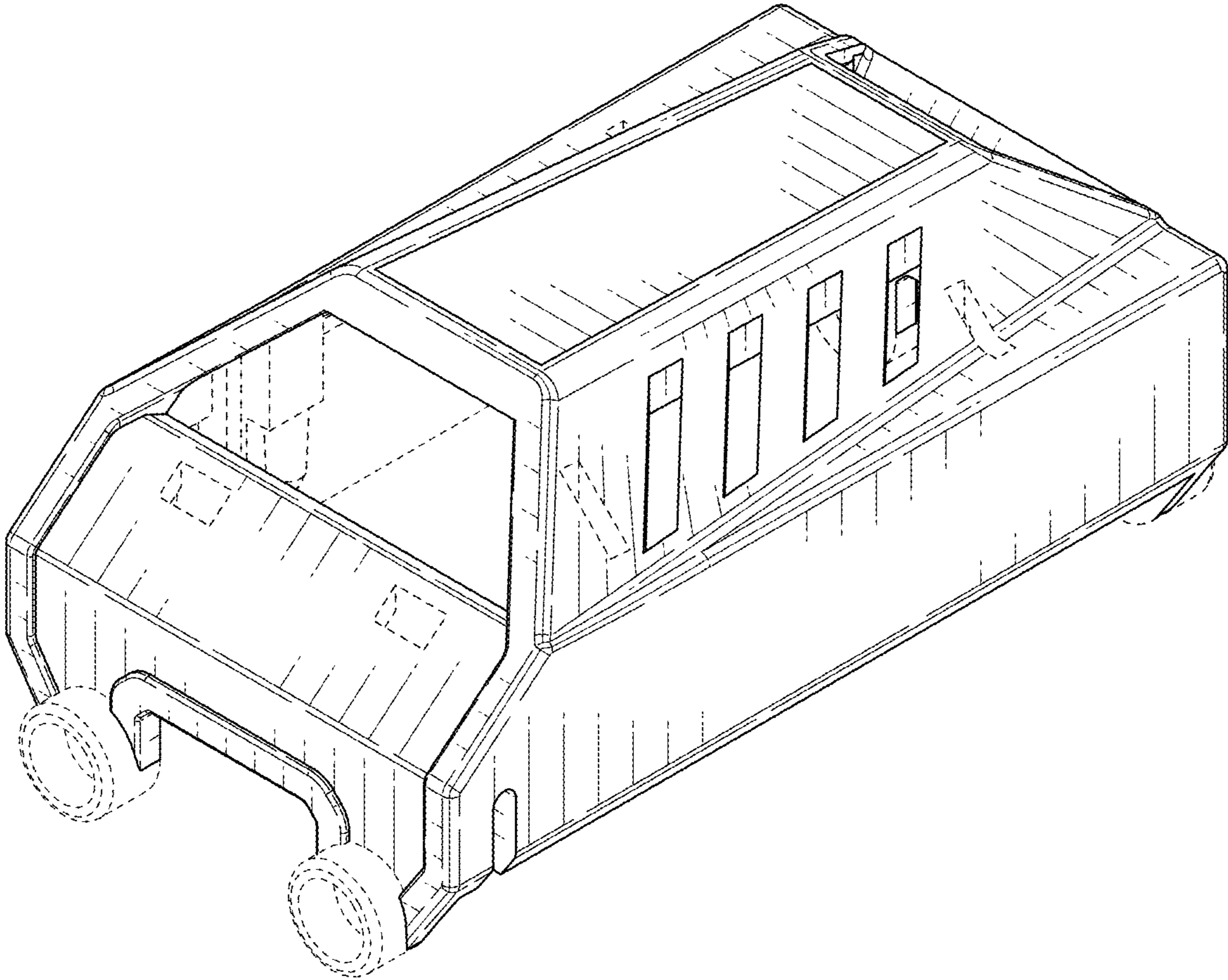


FIG. 1

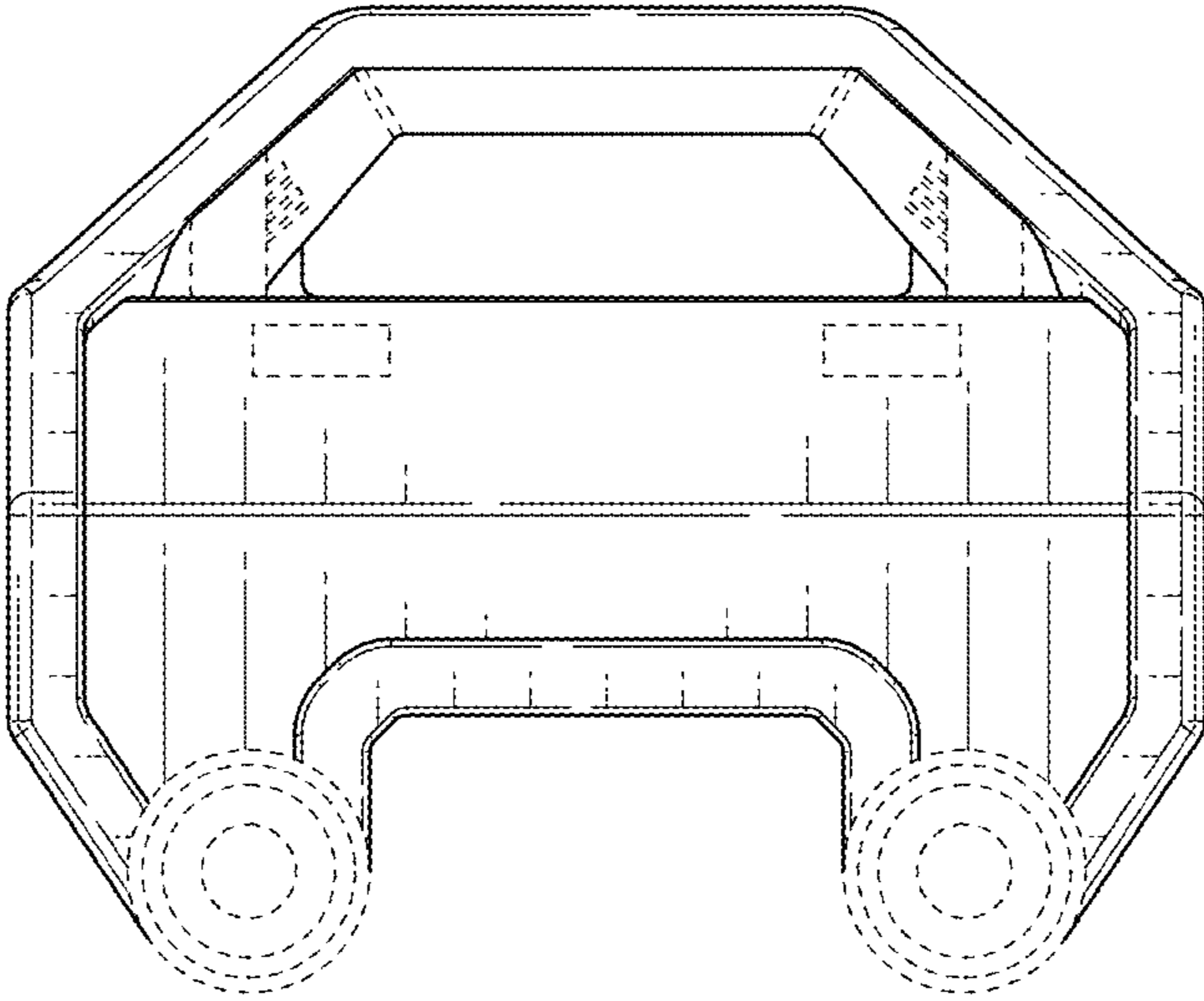


FIG. 2

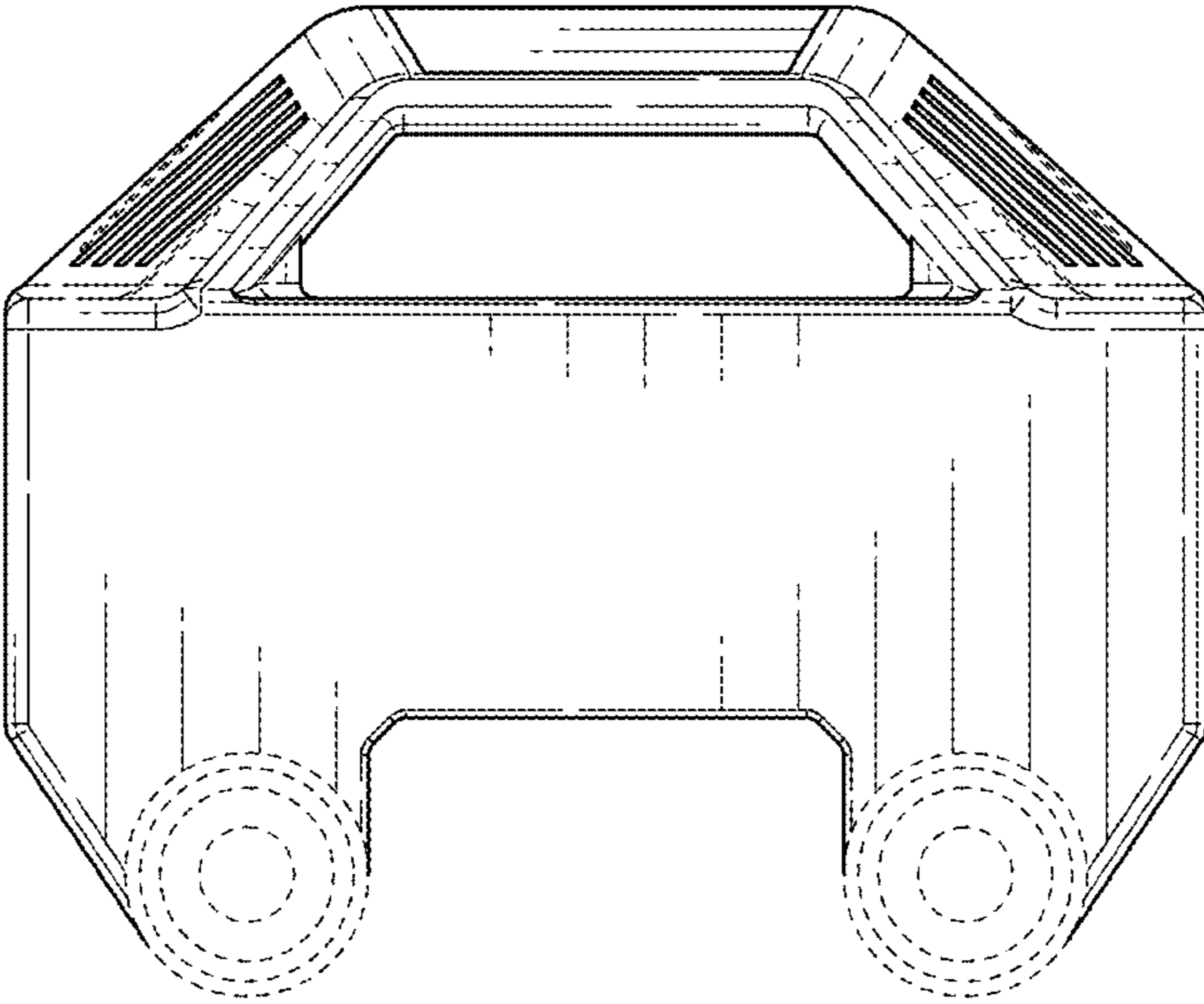


FIG. 3

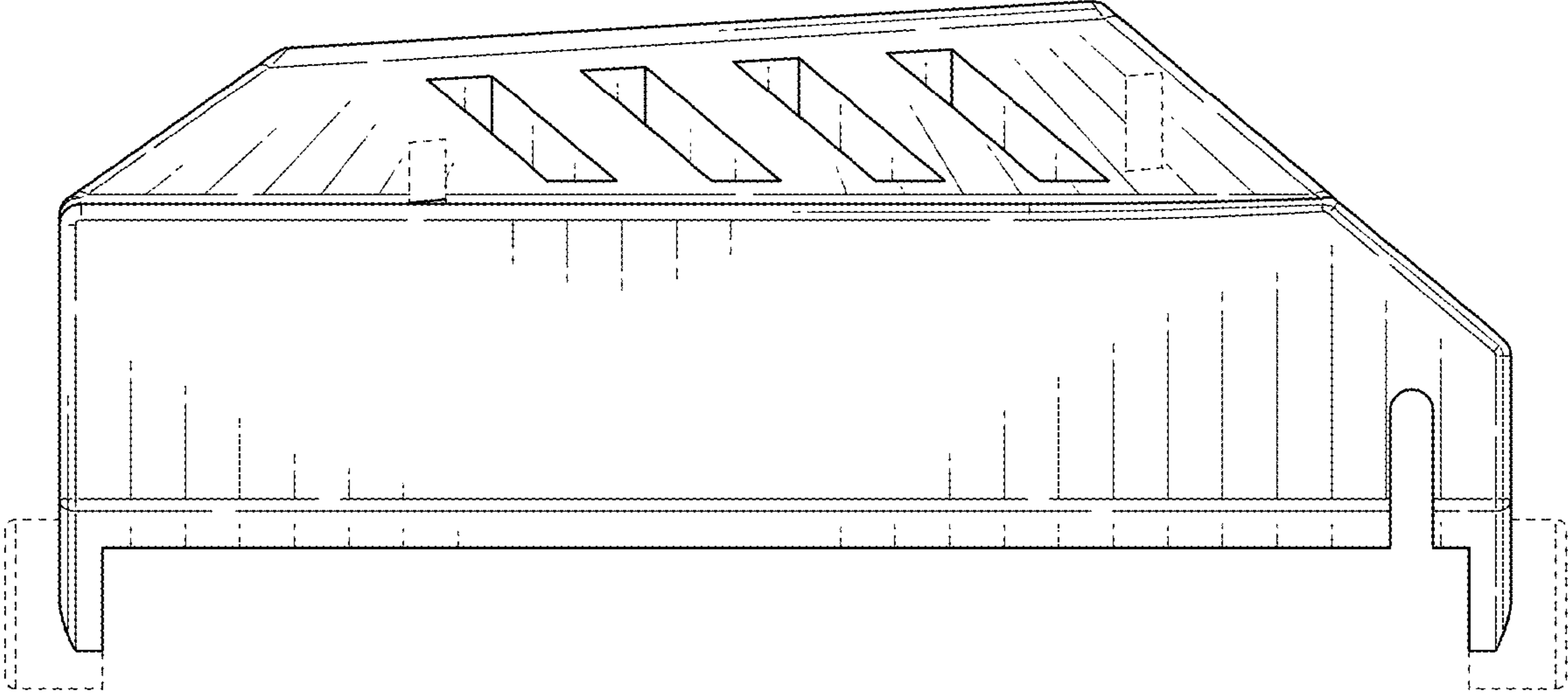


FIG. 4

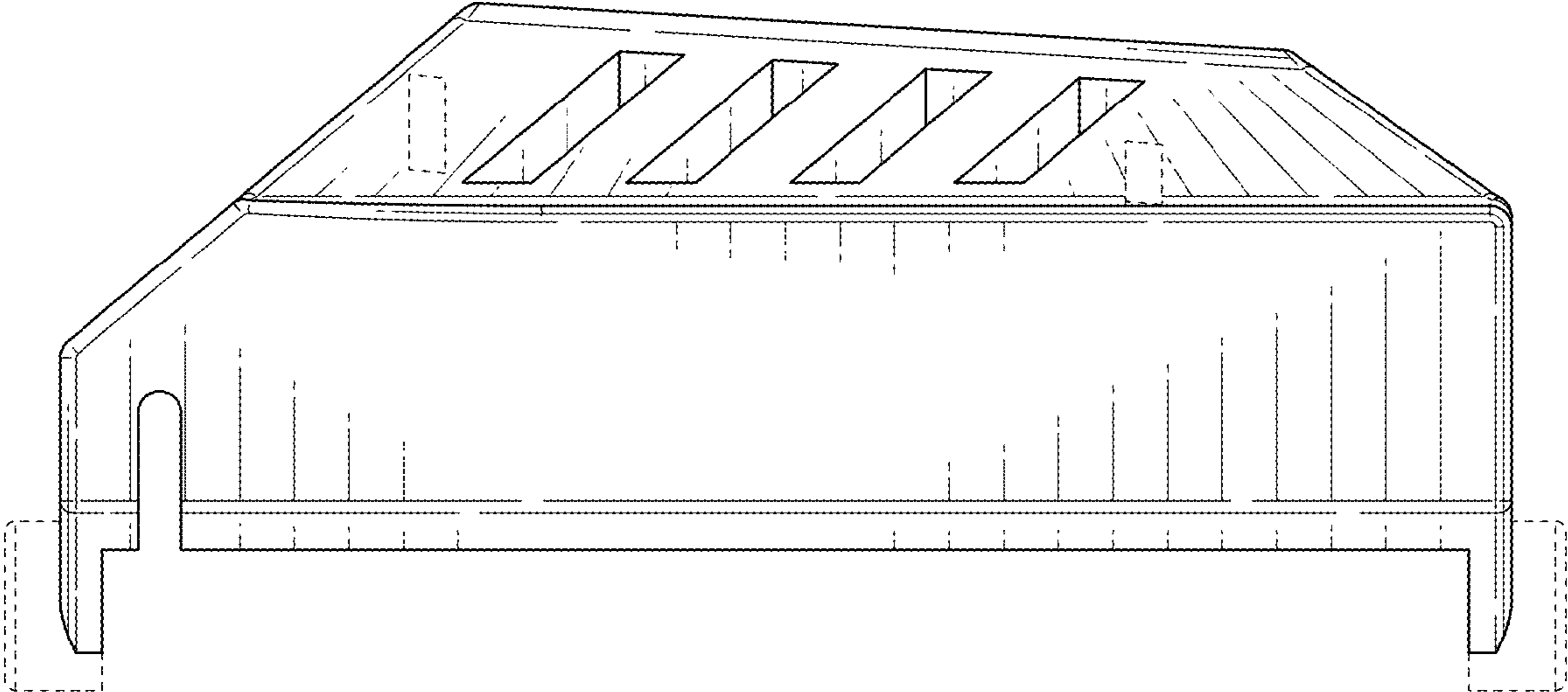


FIG. 5

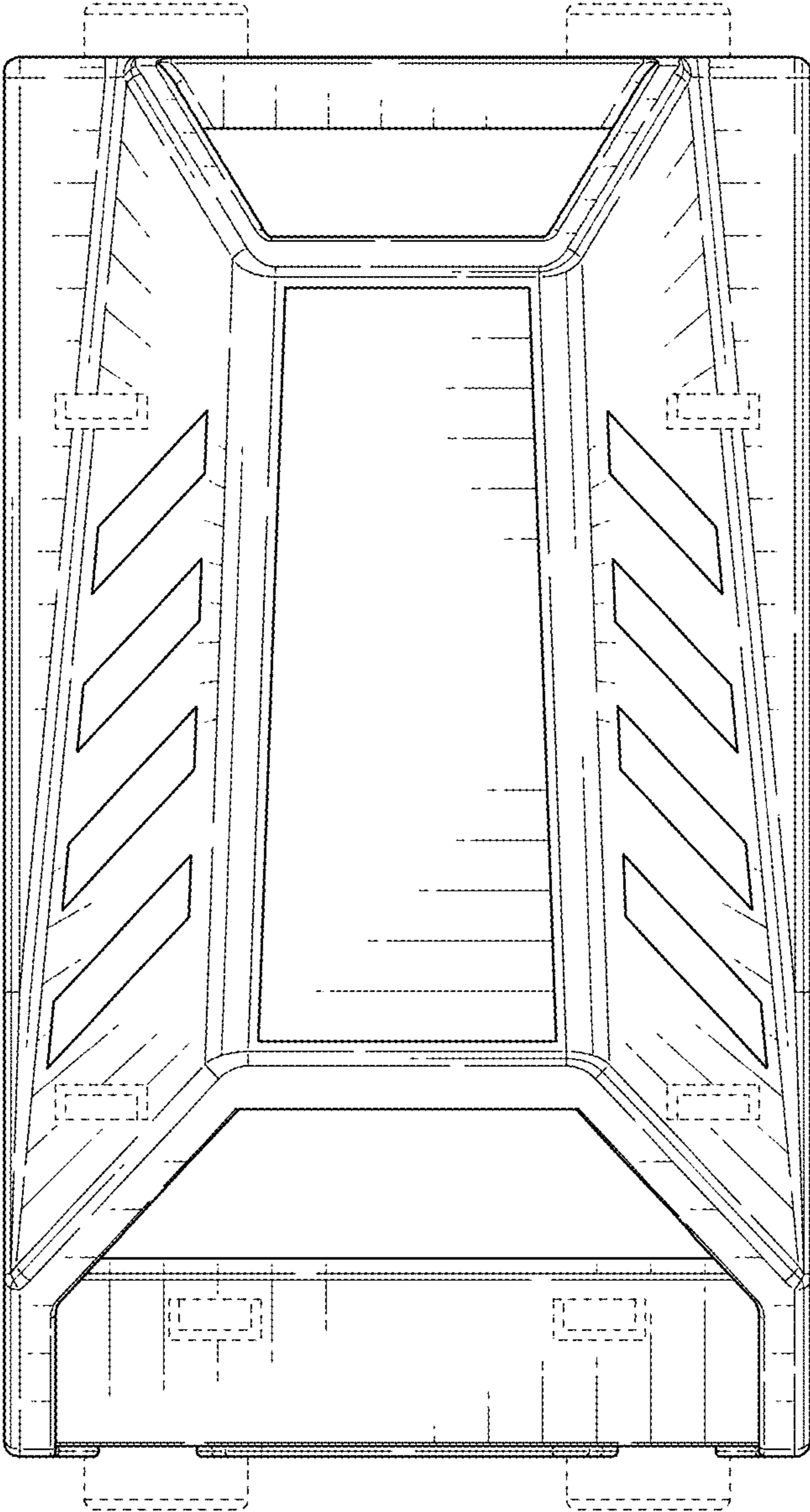


FIG. 6

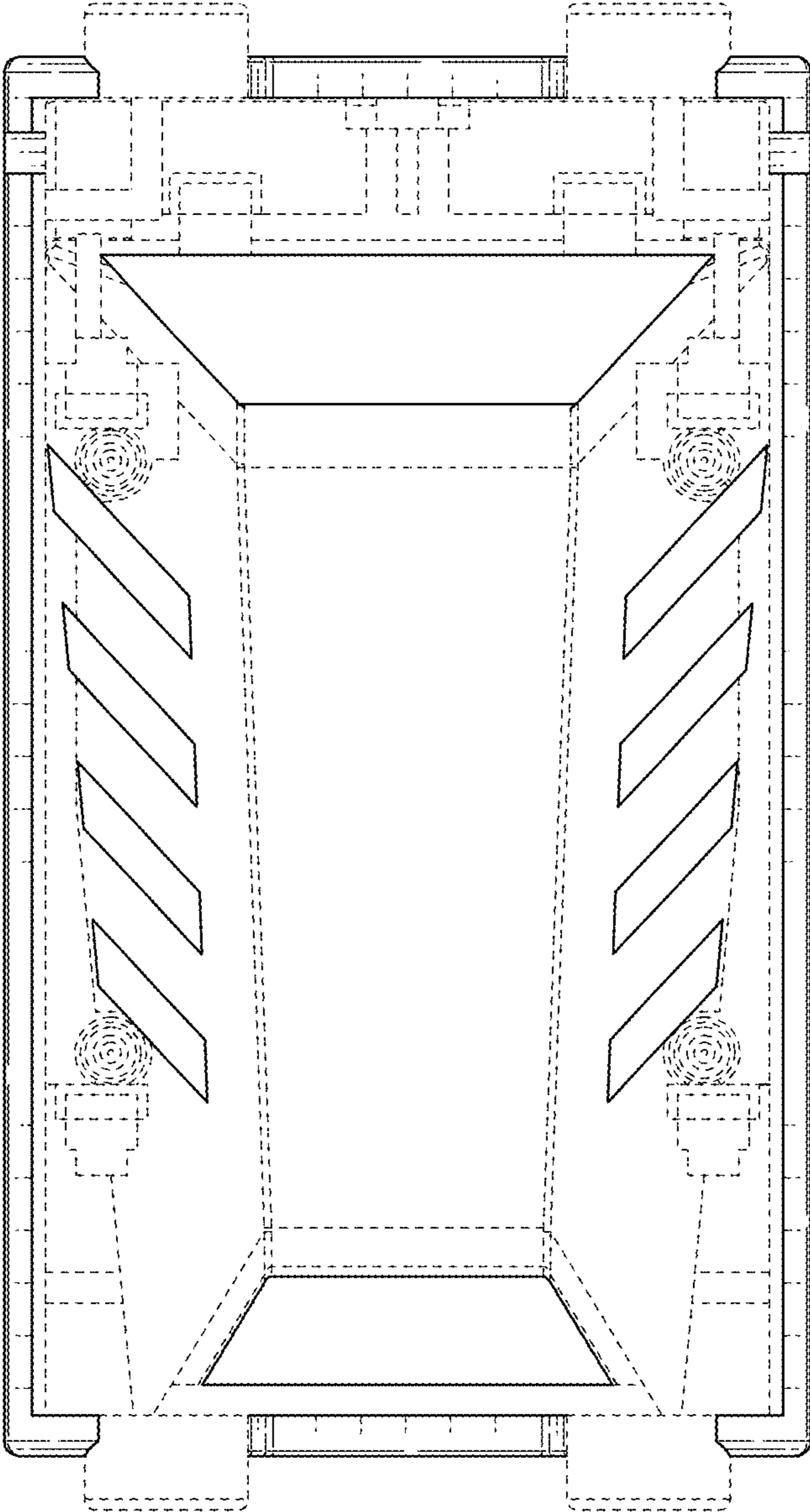


FIG. 7

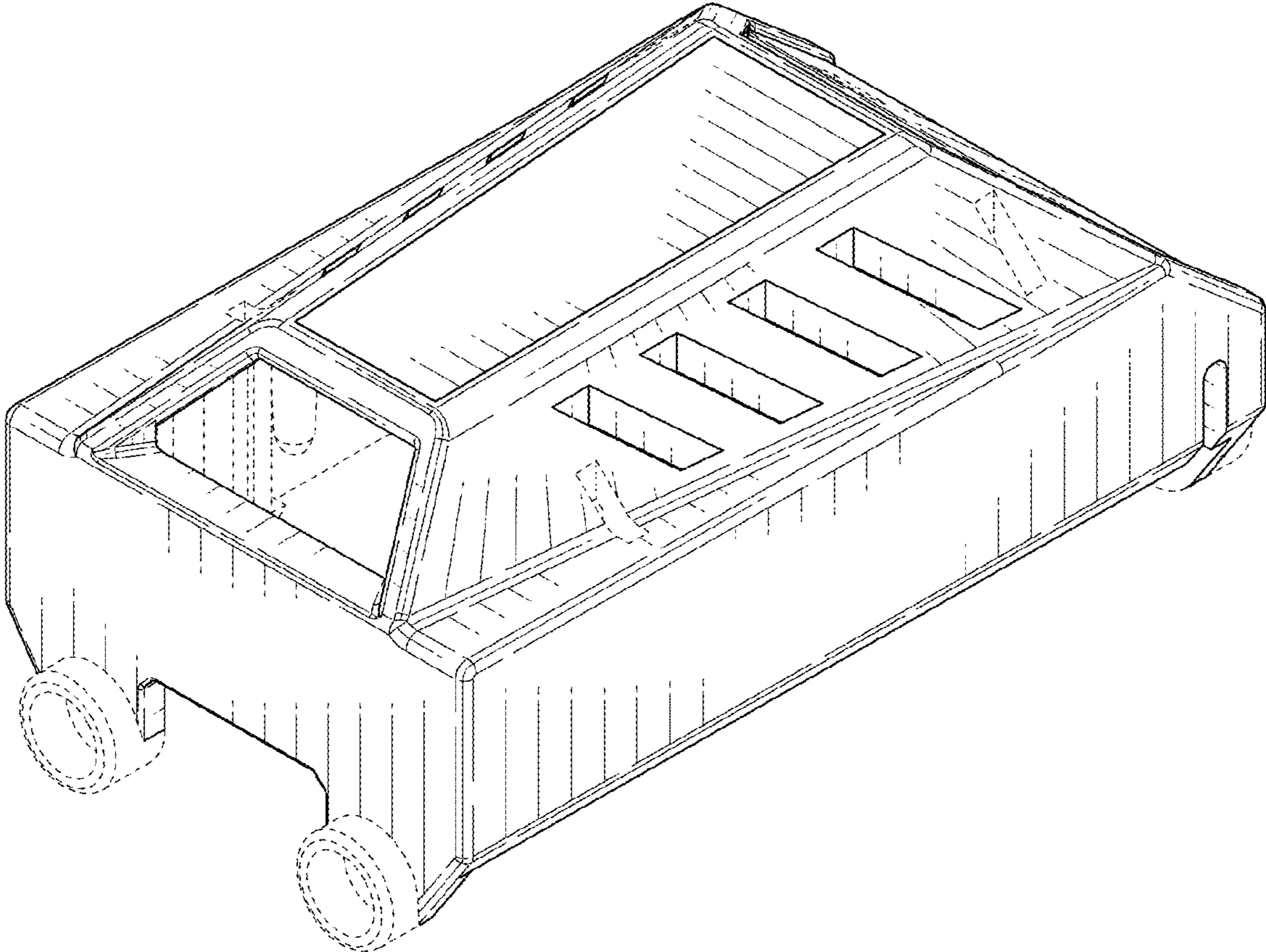


FIG. 8

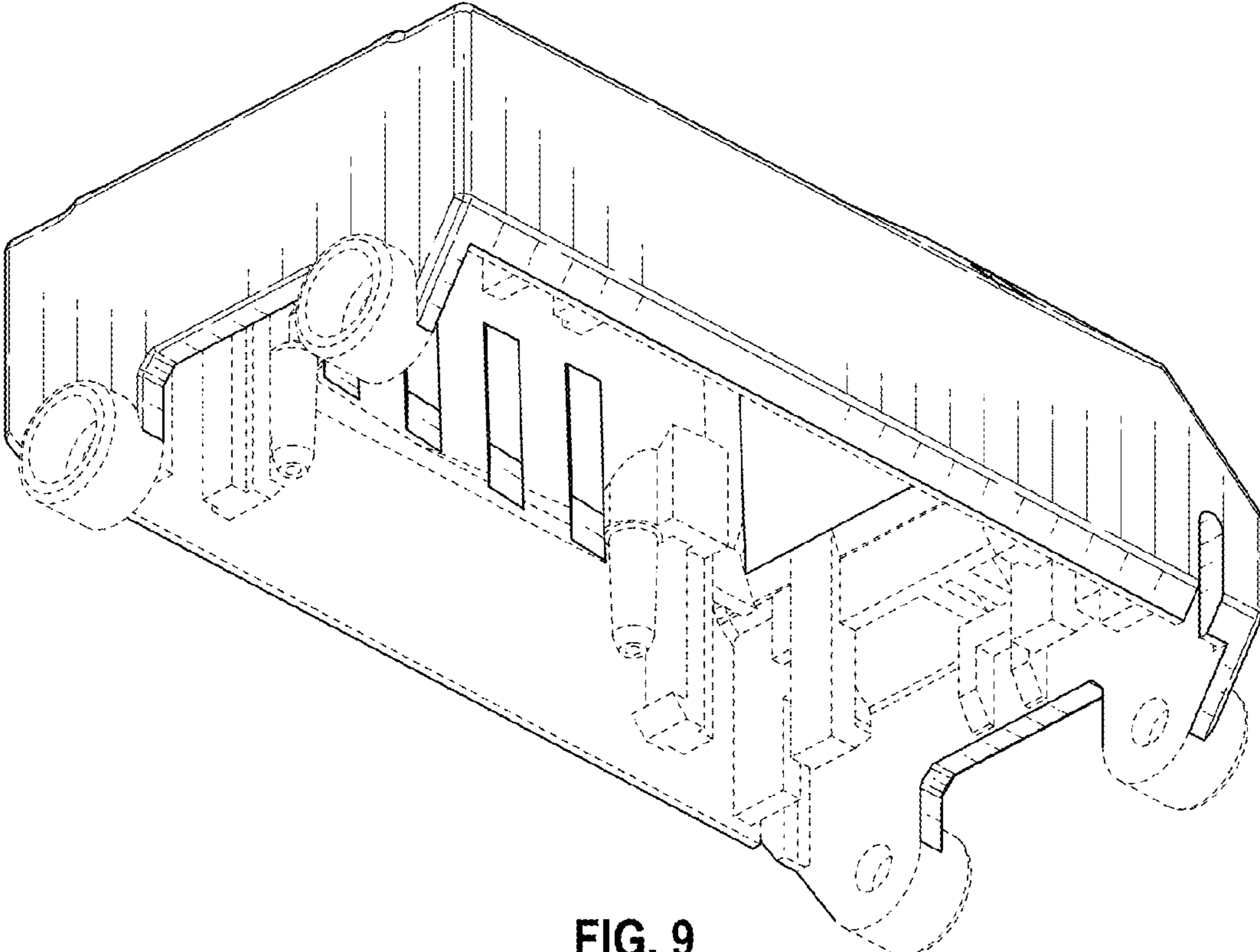


FIG. 9