



US0D1040254S

(12) **United States Design Patent** (10) **Patent No.:** **US D1,040,254 S**
Ewing et al. (45) **Date of Patent:** **** Aug. 27, 2024**

(54) **MODEL VEHICLE WING SUPPORT**

(71) Applicant: **TRAXXAS, L.P.**, McKinney, TX (US)

(72) Inventors: **Adam Cole Ewing**, McKinney, TX (US); **Kent Poteet**, Lucas, TX (US); **Casey Christen Jens Christensen**, McKinney, TX (US); **Otto Karl Allmendinger**, Rowlett, TX (US); **Skylar Hagler**, Anna, TX (US); **Jory Sprowl**, Honey Grove, TX (US)

(73) Assignee: **TRAXXAS, L.P.**, McKinney, TX (US)

(**) Term: **15 Years**

(21) Appl. No.: **29/847,753**

(22) Filed: **Jul. 27, 2022**

(51) **LOC (14) Cl.** **21-01**

(52) **U.S. Cl.**
USPC **D21/561**

(58) **Field of Classification Search**
USPC D21/433, 495, 548, 533, 561, 562, 563;
D12/86, 91, 92, 159, 160, 172, 181, 190,
D12/196, 204, 327
CPC A63H 17/262; A63H 17/26; A63H 17/002;
A63H 29/24
See application file for complete search history.

(56) **References Cited**

U.S. PATENT DOCUMENTS

D277,494 S	2/1985	Lerch
D281,000 S	10/1985	Kuna et al.
D307,248 S	4/1990	Dettling
5,076,636 A	12/1991	Buck et al.
D407,997 S	4/1999	Sacco et al.
D437,309 S	2/2001	Brennan
D473,831 S	4/2003	Saleen
D488,113 S	4/2004	Nelson
D496,409 S	9/2004	Tilbor
6,786,795 B1	9/2004	Mullaney et al.

D498,720 S	11/2004	Dyson et al.
D535,598 S	1/2007	Murkett
D535,708 S	1/2007	Yuen
7,175,229 B2	2/2007	Garcia
D547,249 S	7/2007	Kurtz et al.
D566,789 S	4/2008	Idiot
		(Continued)

OTHER PUBLICATIONS

Traxxas XRT 8S Extreme 4WD Brushless RTR Race Monster Truck (Green) w/TQi 2.4GHz Radio & TSM, as shown in www.hobbytown, Nov. 18, 2022, Part# TRA78086-4-GRN. (Year: 2022).*
(Continued)

Primary Examiner — Gino Colan

Assistant Examiner — Gregory G McLemore

(74) *Attorney, Agent, or Firm* — Daryl R. Wright; Greg Carr

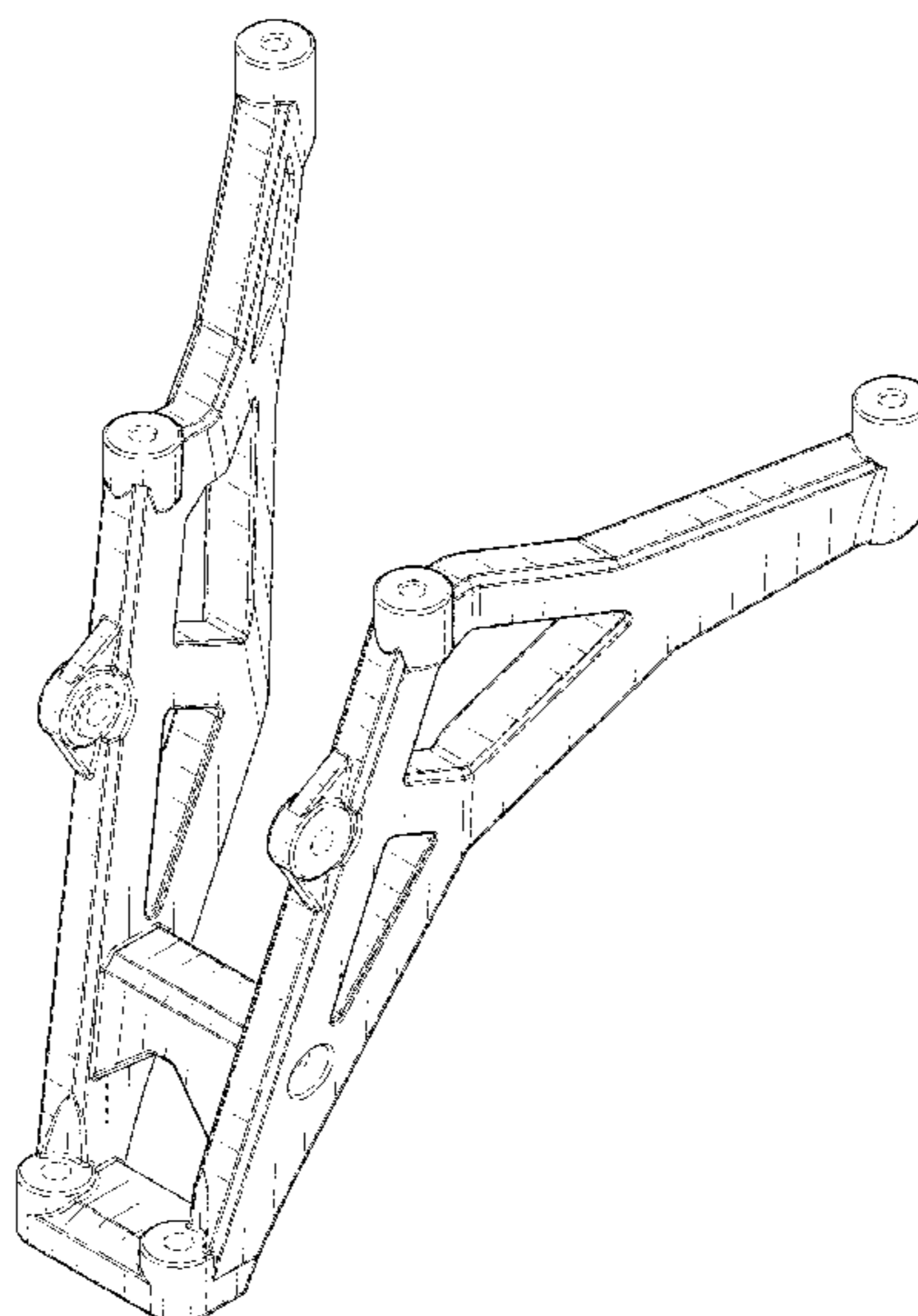
(57) **CLAIM**

We claim the ornamental design for a model vehicle wing support, as shown and described.

DESCRIPTION

FIG. 1 is an upper, left, front perspective view of a model vehicle wing support showing our new design; FIG. 2 is a front elevation view thereof; FIG. 3 is a rear elevation view thereof; FIG. 4 is a right side elevation view thereof; FIG. 5 is a left side elevation view thereof; FIG. 6 is an upper plan view thereof; FIG. 7 is a lower plan view thereof; FIG. 8 is an upper, right, rear perspective view thereof; and, FIG. 9 is a lower, right, rear perspective view of the model vehicle wing support. In the drawings, the broken lines illustrate portions of the model vehicle wing support that form no part of the claimed design.

1 Claim, 8 Drawing Sheets



(56)

References Cited

U.S. PATENT DOCUMENTS

D566,790 S 4/2008 Idiot
 D567,301 S 4/2008 Idiot
 D577,314 S 9/2008 Dockery
 D603,295 S 11/2009 Honeycutt et al.
 D605,083 S 12/2009 Manoogian, II et al.
 D612,767 S 3/2010 Barkan
 D656,439 S 3/2012 Saracoglu
 D690,372 S 9/2013 Fujiwara
 D728,037 S 4/2015 Barajas et al.
 D769,378 S 10/2016 Belker et al.
 D770,575 S 11/2016 Belker et al.
 D771,202 S 11/2016 Gan
 D771,203 S 11/2016 Gan
 D790,402 S 6/2017 Perini
 D792,285 S 7/2017 Manzoni et al.
 D792,526 S 7/2017 Belker et al.
 D802,685 S 11/2017 Barajas et al.
 9,944,335 B2 4/2018 Shinedling et al.
 D820,166 S 6/2018 Borkert
 D820,181 S 6/2018 Chen
 D821,918 S 7/2018 Seidl
 D823,727 S 7/2018 Hauser
 D824,288 S 7/2018 Hauser
 D826,784 S 8/2018 Hauser
 D842,182 S 3/2019 Lee
 D856,434 S 8/2019 Wood
 D856,435 S 8/2019 Wood
 D857,807 S 8/2019 Wood
 D862,610 S 10/2019 Barajas et al.
 D862,611 S 10/2019 Barajas et al.
 D876,555 S 2/2020 Barajas et al.
 D879,209 S 3/2020 Ewing
 D905,603 S 12/2020 DiCanzio
 D906,201 S 12/2020 Chen
 D909,938 S 2/2021 Ninov et al.
 D915,960 S 4/2021 Oliver et al.
 D930,087 S 9/2021 Barajas et al.
 D930,760 S 9/2021 Ewing et al.
 D931,172 S 9/2021 Zheng
 D935,531 S 11/2021 Barajas et al.
 D940,253 S 1/2022 Bao
 D940,254 S 1/2022 Lin
 D942,339 S 2/2022 Verbrugge
 D960,255 S * 8/2022 Ewing D21/562
 D962,135 S 8/2022 Chen
 D962,136 S 8/2022 Chen
 D972,472 S 12/2022 Taverna
 D972,993 S 12/2022 Taverna
 D975,203 S 1/2023 Xu
 D988,213 S 6/2023 Xian
 D988,216 S 6/2023 Larson
 D999,302 S 9/2023 Barajas et al.
 D1,013,061 S * 1/2024 Hagler D21/561
 D1,014,654 S * 2/2024 Allmendinger D21/561
 2009/0195016 A1 8/2009 Schwan et al.
 2011/0177755 A1 7/2011 Nakayama et al.
 2013/0221701 A1 8/2013 De Luca
 2023/0219010 A1 7/2023 Christensen et al.
 2024/0115964 A1* 4/2024 Christensen H02K 9/18
 2024/0115965 A1* 4/2024 Christensen A63H 17/262

OTHER PUBLICATIONS

Traxxas XRT Wing Mount, as shown in www.hobbytown.com, Jun. 15, 2023, Part# TRA7818. (Year: 2023).
 Redcat Racing 81061 Rear Wing Mount Set 81061, as shown in www.redcatracing.toys, no date listed, date found, Jun. 14, 2024. (Year: 2024).*

Hot Racing AON40M01 Aluminum Wing Mount Arrma Kraton Talion Typhon, as shown in www.amazon.com, Jan. 26, 2020, ASIN B01NAPB2RO. (Year: 2020).
 Amazon.com. "Traxxas TRA6721 Wing, Rustler 4x4 (Black)" First reviewed Aug. 23, 2019. Retrieved Sep. 22, 2019. (https://www.amazon.com/Traxxas-TRA6721-Rustler-Black-3x8mm/dp/B07HJHBM85/).
 Wing, Chevrolet C10, traxxas.com, first archived Sep. 24, 2021 [online], [site visited Mar. 21, 2023], Available from internet, URL: https://web.archive.org/web/20210924085123/https://traxxas.com/products/parts/9414 (Year: 2021).
 Traxxas Drag Slash Chevrolet C10, hobbytown.com, first available Aug. 6, 2021 [online], [site visited Mar. 21, 2023], Available from internet, URL: https://www.hobbytown.com/traxxas-drag-slash-chevrolet-c10-prepainted-body-green-tra9411g/p61330083 (Year: 2021).
 Traxxas 9411G Body, amazon.com, customer review oldest date Feb. 23, 2022 [online], [site visited Mar. 21, 2023], Available from internet, URL: https://www.amazon.com/Traxxas-9411G-Chevrolet-Green-Decals/dp/B0989XJV5T (Year: 2022).
 Traxxas Drag Slash Chevrolet C10 Wing, hobbytown.com, first available Sep. 20, 2021 [online], [site visited Mar. 21, 2023], Available from internet, URL: https://www.hobbytown.com/traxxas-drag-slash-chevrolet-c10-wing-tra9414/p1330089 (Year: 2021).
 Traxxas 9411A Body Chevrolet C10 (Black), amazon.ca, first available Jan. 26, 2022 [online], [site visited Mar. 21, 2023], Available from internet, URL: https://www.amazon.ca/TRAXXAS-9411A-CHEVROLET-BLACK-INCLUD/dp/B09N76LX5B (Year: 2022).
 Vgoohobby RC Force Rear Spoiler, amazon.com, customer review oldest date Aug. 6, 2021 [online], [site visited Mar. 21, 2023], Available from internet, URL: https://www.amazon.com/Vgoohobby-Force-Spoiler-High-Down-Redcat/dp/B094CYPJ44 (Year: 2021).
 Traxxas 7122 E-Revo Wing, amazon.com, first available May 2, 2009 [online], [site visited Mar. 21, 2023], Available from Internet, URL: https://www.amazon.com/dp/B00287YYVY (Year: 2009).
 ShareGoo Wing Body Spoiler, amazon.com, customer review oldest date Feb. 16, 2023 [online], [site visited Mar. 21, 2023], Available from internet, URL: https://www.amazon.com/dp/B087J3MHYZ (Year: 2023).
 Traxxas Sledge Rear Wing (Black), as shown on www.hobbytown.com, Jun. 30, 2022, Part #TRA9517. (Year: 2022).
 Christensen, Casey Christen Jens, et al.; U.S. Pat. No. D. 1,006,891; Model Vehicle Body Mount; Dec. 5, 2023.
 Christensen, Casey Christen Jens, et al.; U.S. Pat. No. D. 1,014,653; Model Vehicle Body Mount; Feb. 13, 2024.
 Allmendinger, Otto Karl, et al.; U.S. Pat. No. D. 1,014,654; Model Vehicle Wing Assembly; Feb. 13, 2024.
 Traxxas XRT 8S Extreme 4WD Brushless RTR Race Monster Truck (Green) w/TQi 2.4Hz Radio & TSM, as shown in www.hobbytown.com, Nov. 18, 2022, Part# TRA78086-4-GRN. (Year: 2022).
 Traxxas XRT Wing (Blue), as shown in www.hobbytown.com, May 16, 2023, Part# TRA7821X. (Year: 2023).
 Arrma Rear Wing, ARA480044, as shown in www.amazon.com, Aug. 16, 2022, ASIN B0BHN11X26. (Year: 2022).
 Arrma Rear Wing, ARAC9608 Large, as shown in www.amazon.com, Oct. 3, 2017, ASIN B0764LM5TG. (Year: 2017).
 Arrma 4S BLX Rear Wing (Black), as shown in www.hobbytown.com, Jul. 16, 2019, Part # ARA480012. (Year: 2019).
 Arrma 224mm Rear Wing (White), as shown in hobbytown.com, Dec. 19, 2014, Part # ARA480004. (Year: 2014).
 Tekno RC 1/8 High Down Force Buggy Wing (ROAR/IFMAR Legal) (Black), as shown in www.amainhobbies.com, Jun. 16, 2016, Part # TKR5292K. (Year: 2016).
 Team Associated Reflex 14B/14T Plastic Wing (Black), as shown in www.hobbytown.com, Nov. 12, 2018, Part #ASC21545. (Year: 2018).

* cited by examiner

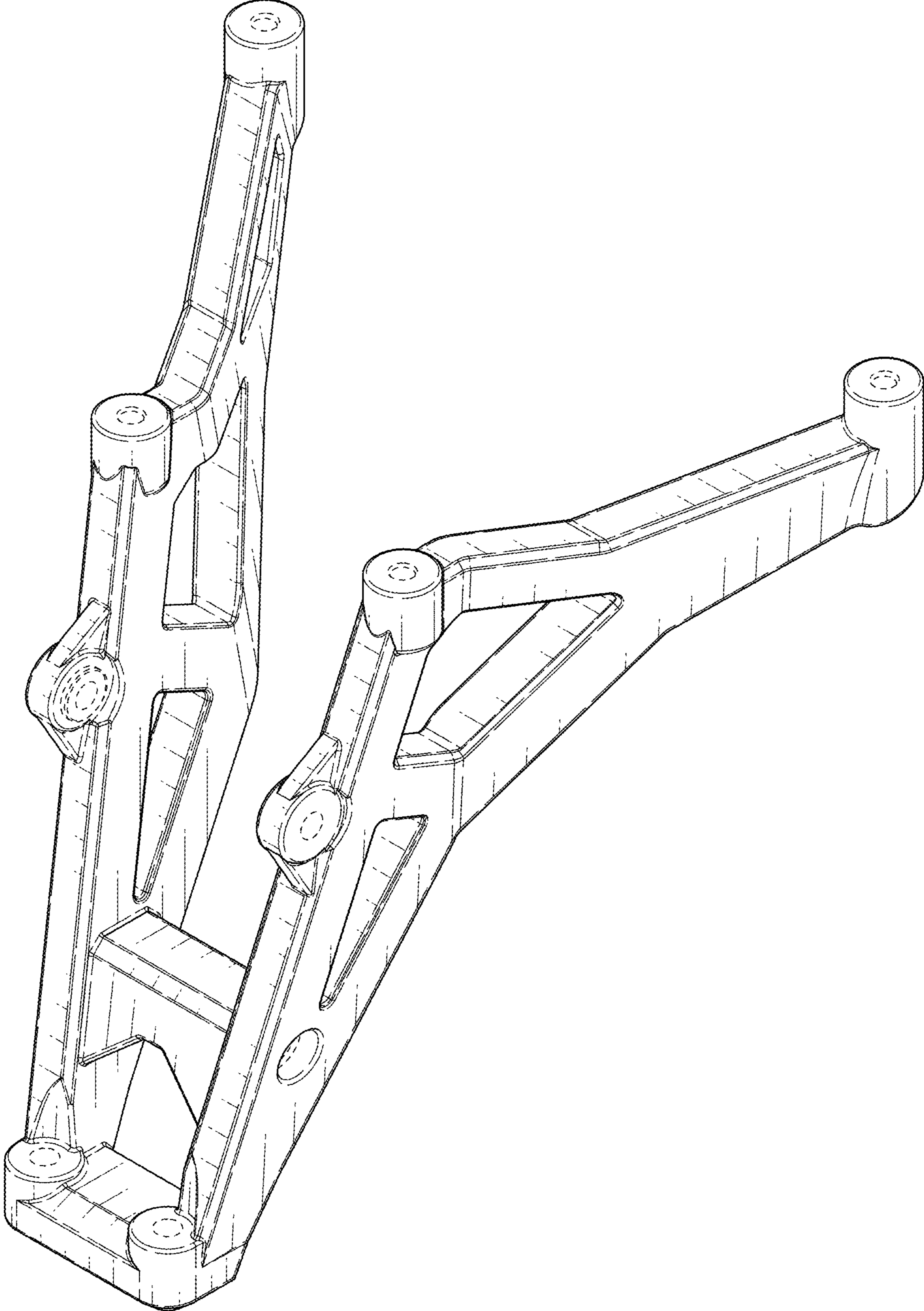


FIG. 1

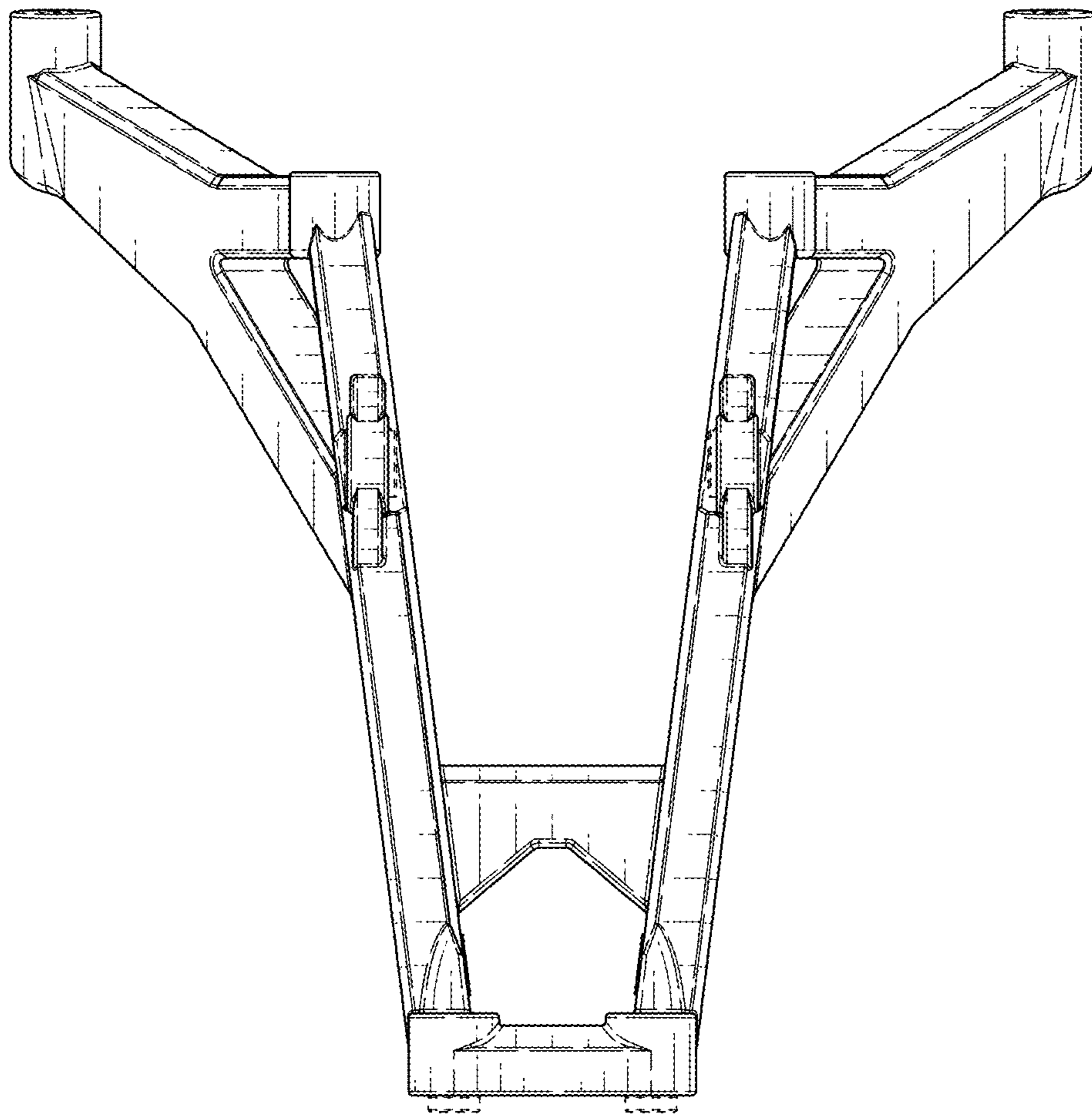


FIG. 2

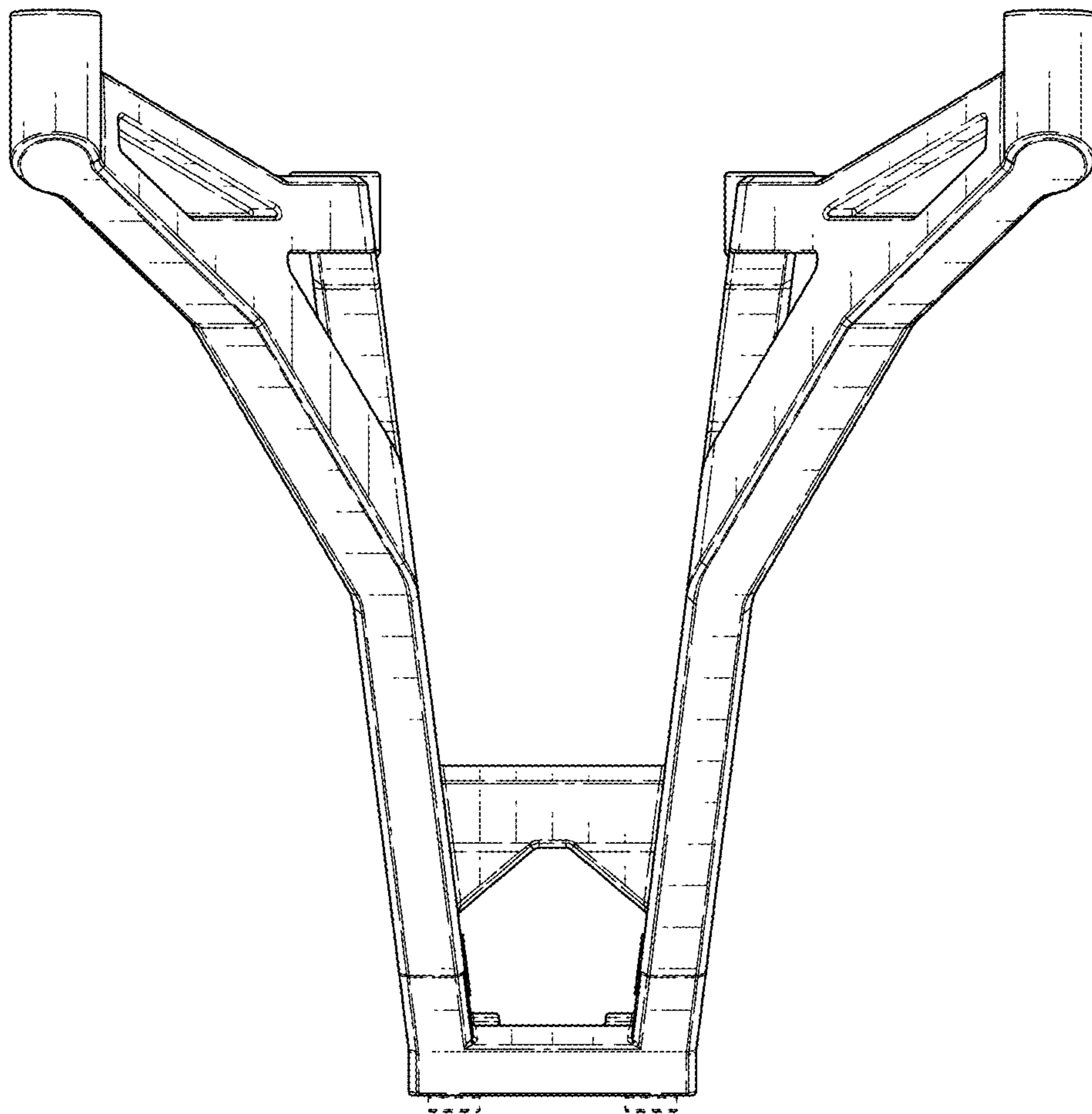


FIG. 3

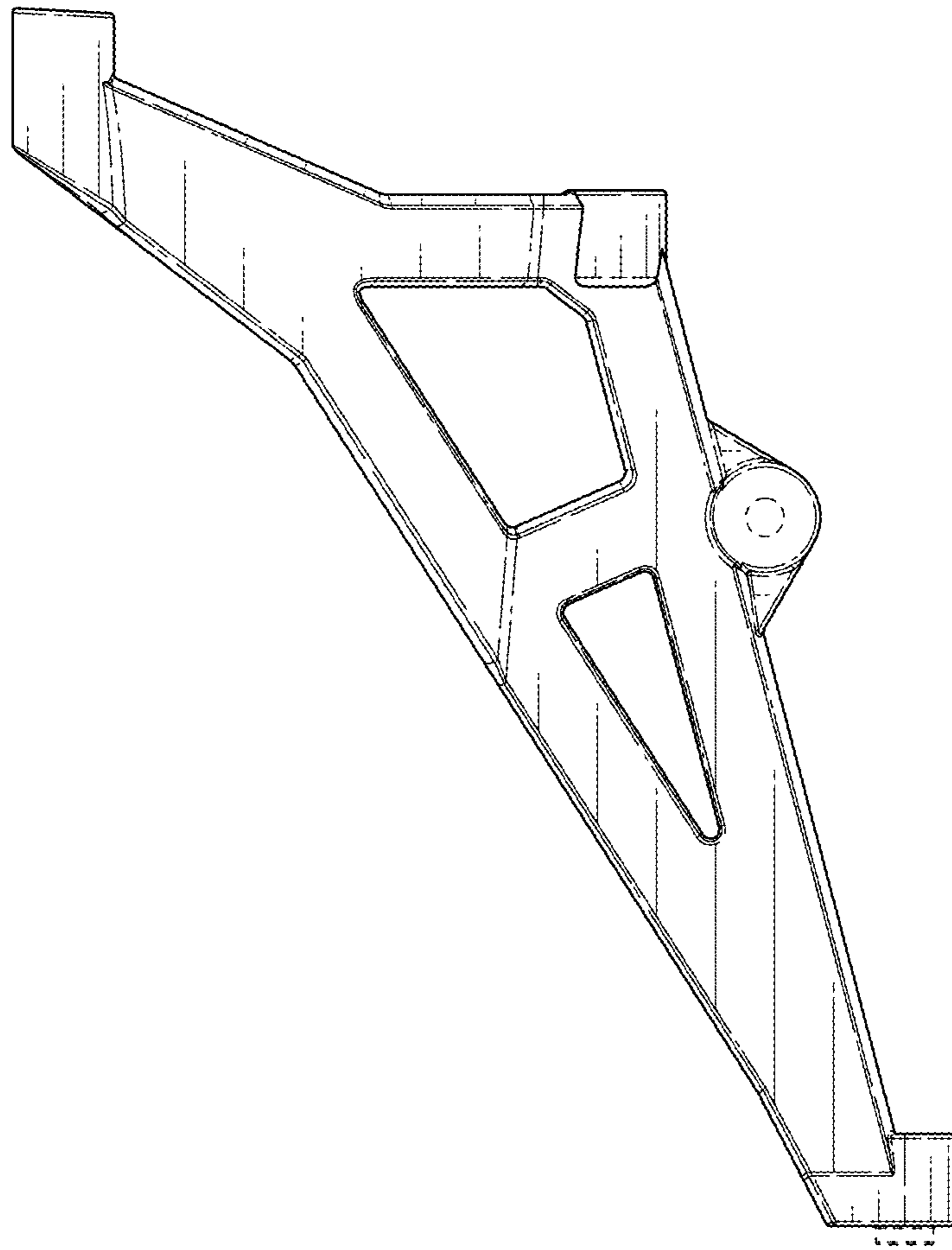


FIG. 4

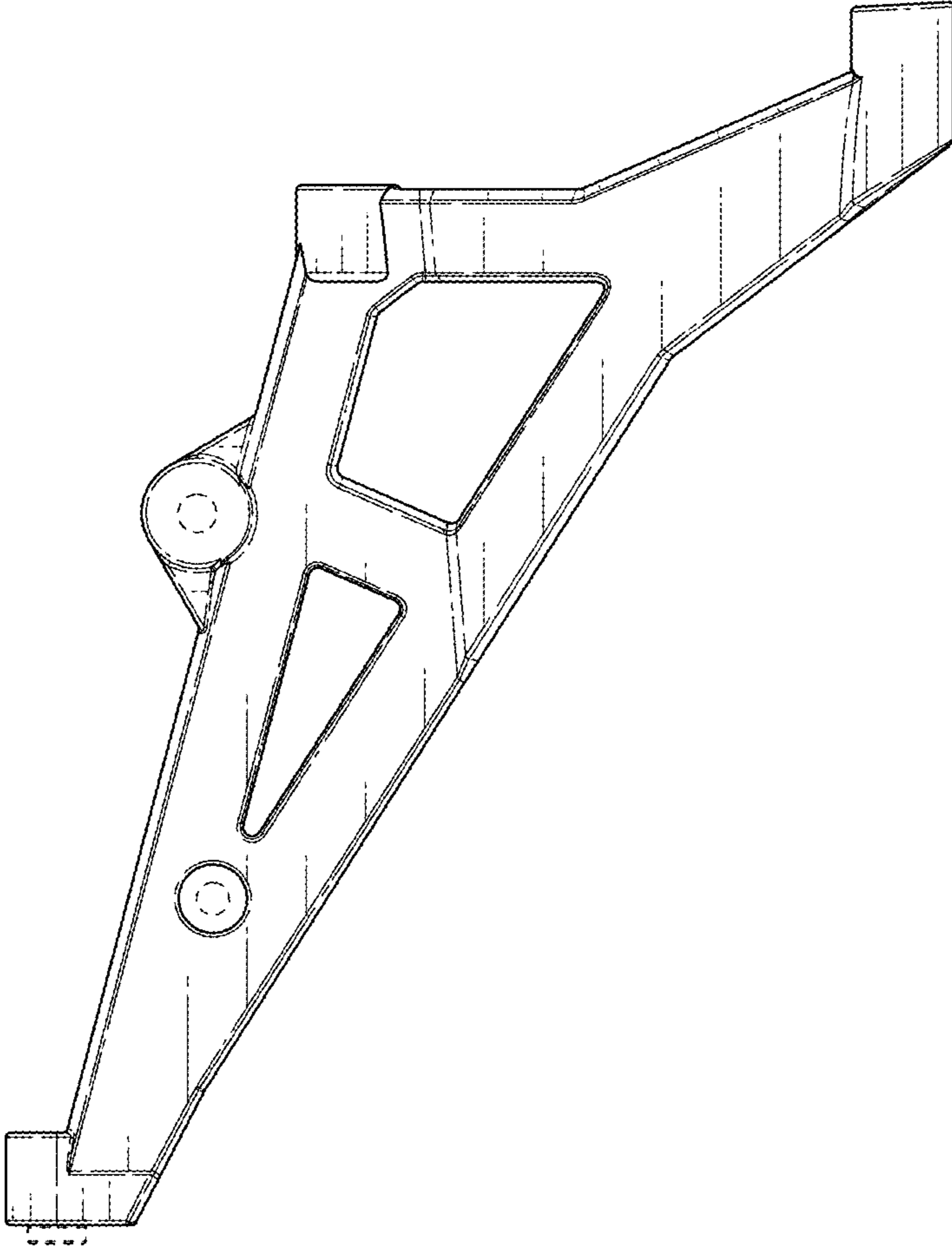


FIG. 5

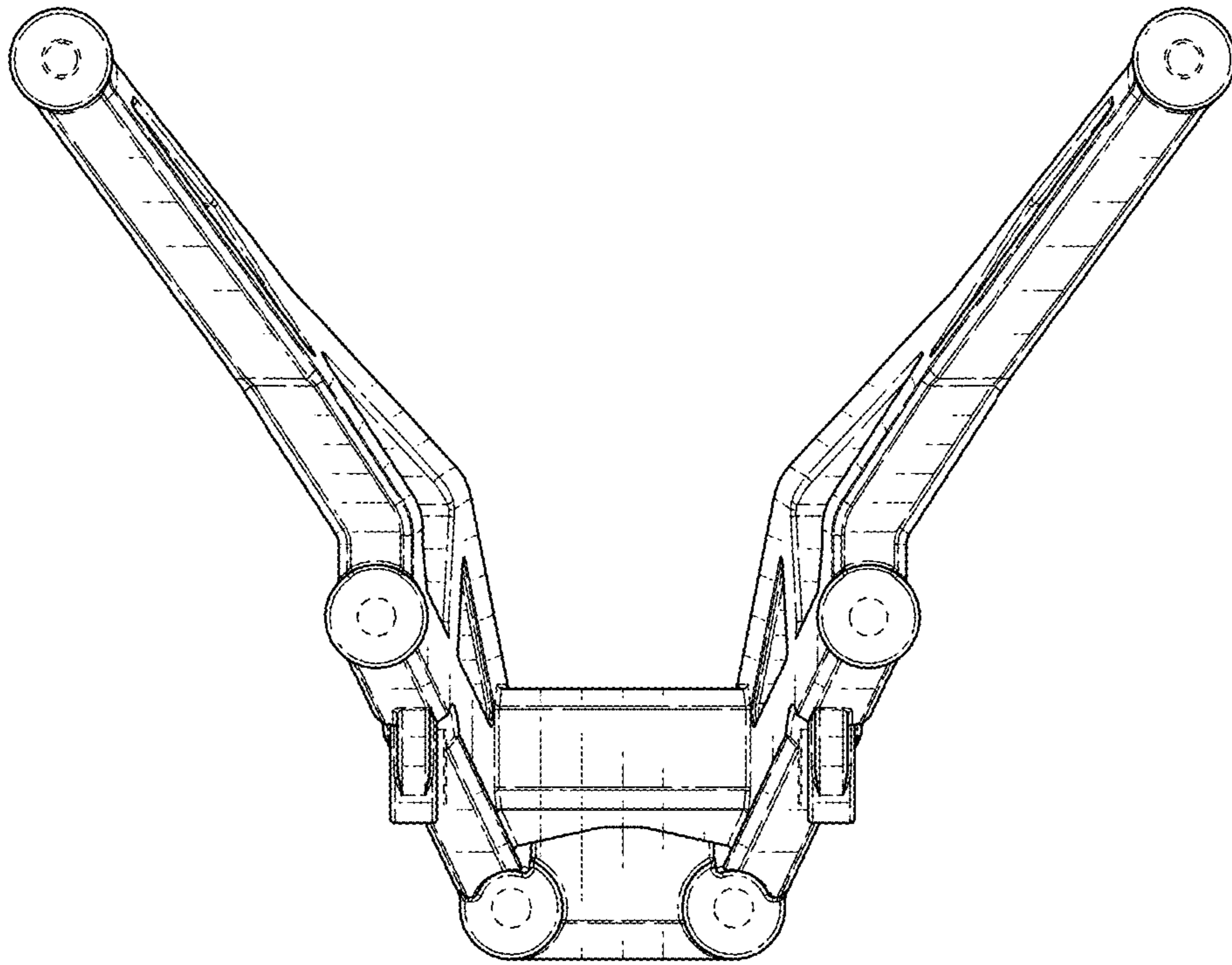


FIG. 6

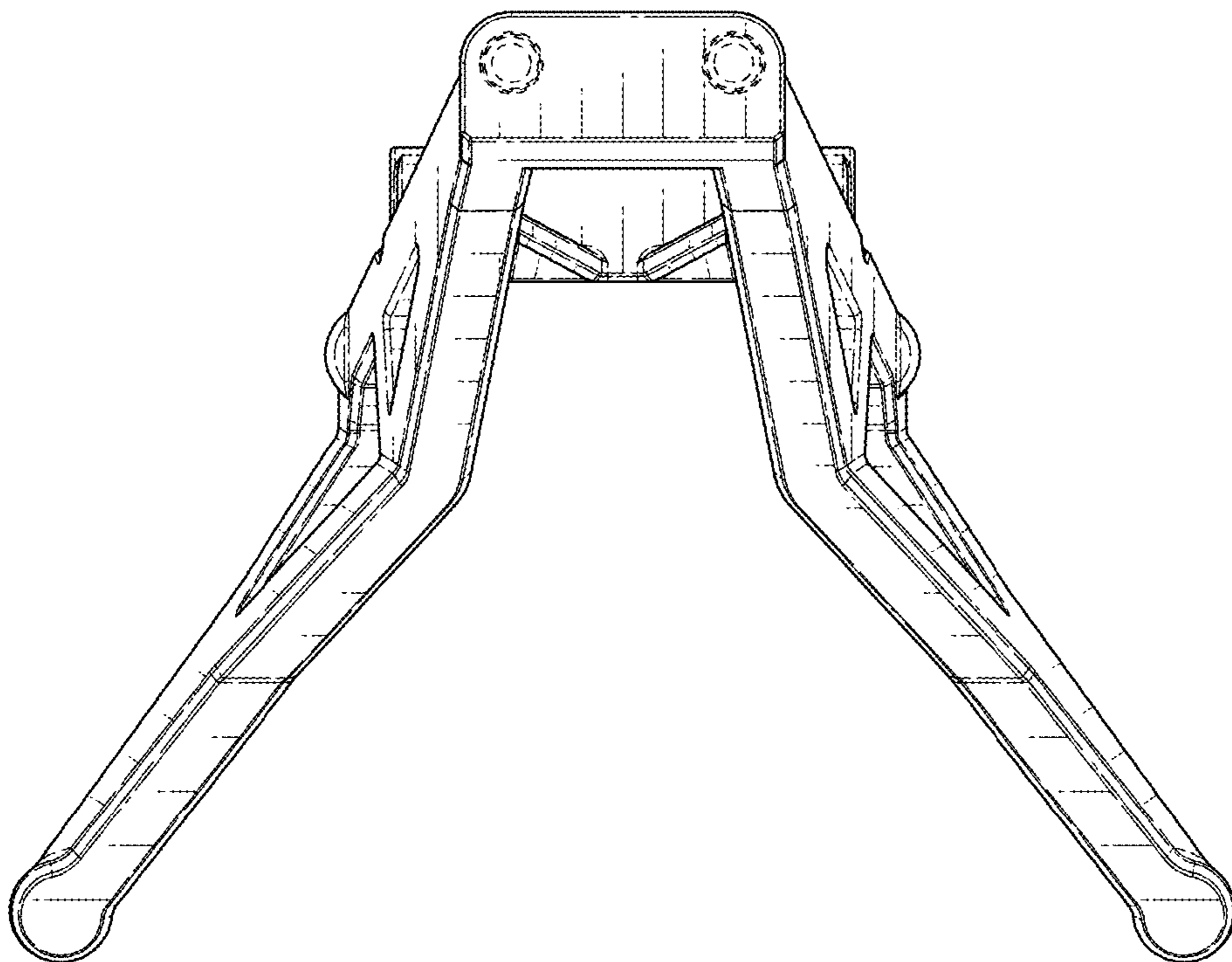


FIG. 7

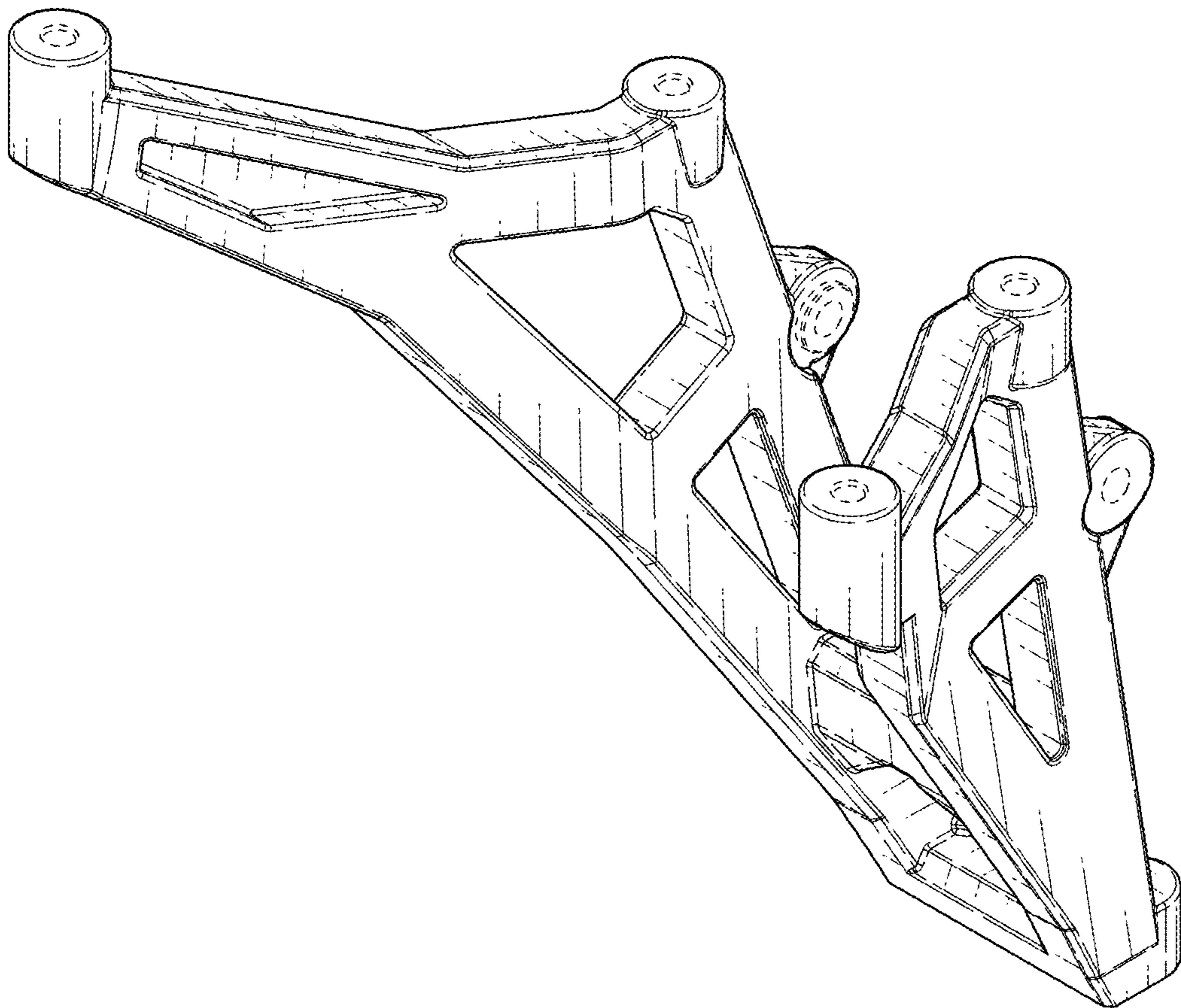


FIG. 8

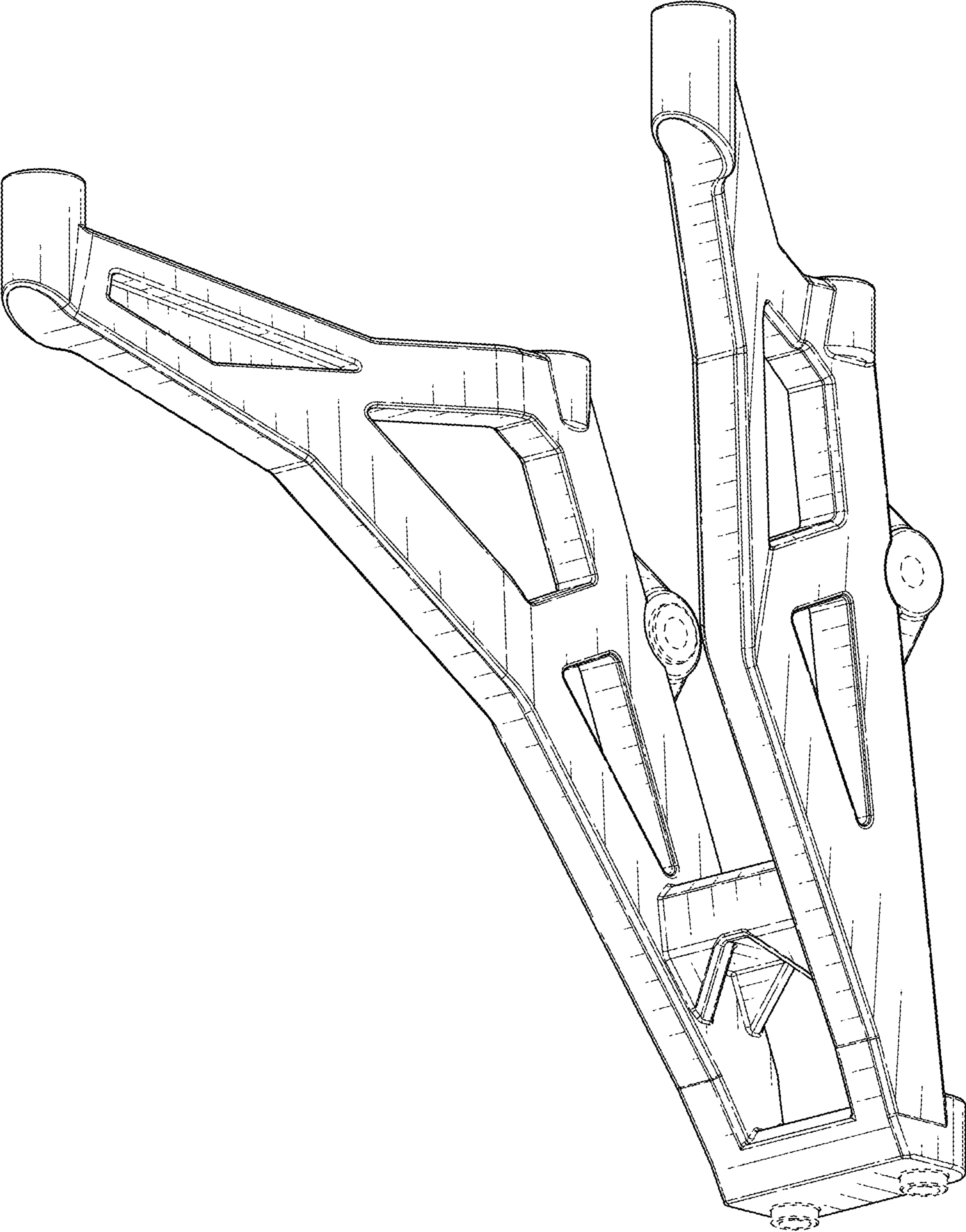


FIG. 9