



US0D1040253S

(12) **United States Design Patent** (10) **Patent No.:** **US D1,040,253 S**  
**Ewing et al.** (45) **Date of Patent:** **\*\* Aug. 27, 2024**

(54) **MODEL VEHICLE SKID PLATE**  
(71) Applicant: **TRAXXAS, L.P.**, McKinney, TX (US)  
(72) Inventors: **Adam Cole Ewing**, McKinney, TX (US); **Kent Poteet**, Lucas, TX (US); **Casey Christen Jens Christensen**, McKinney, TX (US); **Otto Karl Allmendinger**, Rowlett, TX (US); **Skylar Hagler**, Anna, TX (US); **Jory Sprowl**, Honey Grove, TX (US)

D577,083 S 9/2008 Nakayama  
D593,616 S 6/2009 Asai  
D597,151 S 7/2009 Ishikawa  
D740,719 S 10/2015 Schanz et al.  
D751,953 S 3/2016 Hayes et al.  
D769,163 S 10/2016 Platto et al.  
D779,392 S 2/2017 Hare

(Continued)

(73) Assignee: **TRAXXAS, L.P.**, McKinney, TX (US)

(\*\*) Term: **15 Years**

(21) Appl. No.: **29/847,745**

(22) Filed: **Jul. 27, 2022**

(51) **LOC (14) Cl.** ..... **21-01**

(52) **U.S. Cl.**  
USPC ..... **D21/561**

(58) **Field of Classification Search**  
USPC ..... D21/433, 495, 533, 548, 549, 550, 560, D21/561, 562, 565; D12/106, 167, 171, D12/196, 317, 406, 412, 418  
CPC ..... A63H 17/262; A63H 17/26; A63H 30/04; A63H 17/004; A63H 33/005; A63H 15/06; A63H 17/00  
See application file for complete search history.

(56) **References Cited**

**U.S. PATENT DOCUMENTS**

D309,930 S 8/1990 Asaeda  
D317,336 S 6/1991 Tsuchiya  
D332,979 S 2/1993 Tsuchiya  
D335,484 S 5/1993 Moyle et al.  
D381,376 S 7/1997 Edwards  
D403,023 S 12/1998 Araki  
D476,927 S 7/2003 Delgado  
D477,257 S 7/2003 Delgado  
D534,593 S 1/2007 Yuen

**OTHER PUBLICATIONS**

Traxxas XRT Front and Rear Skid Plates, as shown in www.hobbytown.com, Jun. 12, 2023, Part # TRA7844. (Year: 2023).\*

(Continued)

*Primary Examiner* — Gino Colan

*Assistant Examiner* — Gregory G McLemore

(74) *Attorney, Agent, or Firm* — Daryl R. Wright; Greg Carr

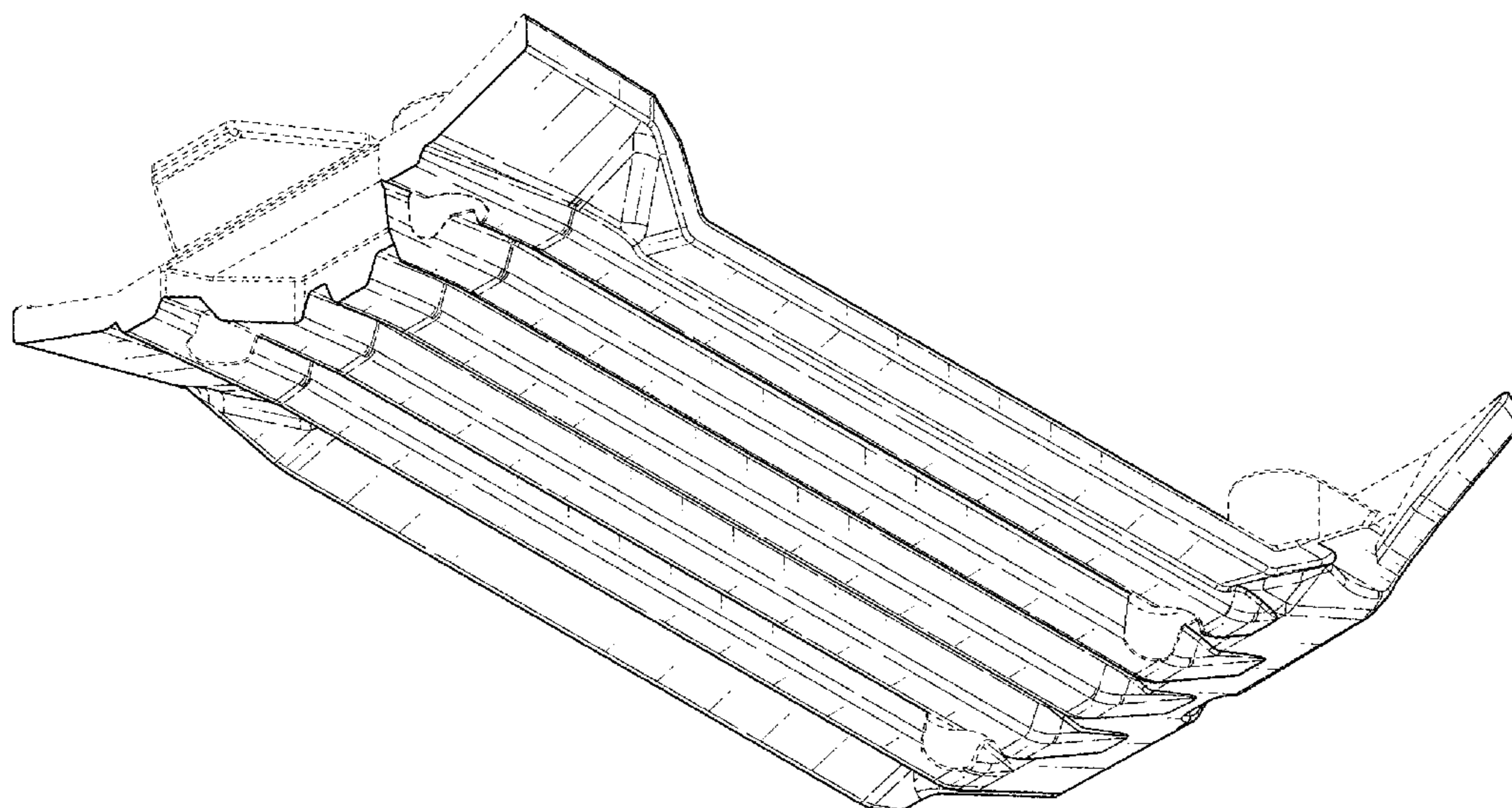
(57) **CLAIM**

We claim the ornamental design for a model vehicle skid plate, as shown and described.

**DESCRIPTION**

FIG. 1 is a lower, left, front perspective view of a model vehicle skid plate showing our new design; FIG. 2 is a front elevation view thereof; FIG. 3 is a rear elevation view thereof; FIG. 4 is a right side elevation view thereof; FIG. 5 is a left side elevation view thereof; FIG. 6 is an upper plan view thereof; FIG. 7 is a lower plan view thereof; FIG. 8 is a lower, right, rear perspective view thereof; and, FIG. 9 is an upper, left, front perspective view of the model vehicle skid plate. In the drawings, the broken lines illustrate portions of the model vehicle skid plate that form no part of the claimed design.

**1 Claim, 7 Drawing Sheets**



(56)

References Cited

U.S. PATENT DOCUMENTS

D822,126 S 7/2018 Allmendinger et al.  
 D852,698 S \* 7/2019 Grewer ..... D12/196  
 D857,575 S 8/2019 Harriton et al.  
 D857,576 S 8/2019 Harriton et al.  
 D860,088 S 9/2019 Harriton et al.  
 D864,819 S 10/2019 Grossaint  
 D867,232 S 11/2019 Izard  
 D870,606 S 12/2019 Hagler et al.  
 D870,615 S 12/2019 Wood  
 D874,999 S 2/2020 Ewing et al.  
 D877,014 S 3/2020 Harriton et al.  
 D894,809 S 9/2020 Chi  
 10,814,917 B2 10/2020 Lorenz et al.  
 D907,541 S 1/2021 Cox  
 D923,112 S 6/2021 Hagler et al.  
 D923,113 S 6/2021 Hagler et al.  
 D924,338 S \* 7/2021 Wood ..... D21/561  
 D928,679 S 8/2021 Liang  
 D930,760 S 9/2021 Ewing et al.  
 D950,449 S \* 5/2022 Kil ..... D12/196  
 D964,482 S 9/2022 Ewing et al.  
 D965,490 S 10/2022 Akrapovic et al.  
 D977,382 S 2/2023 Kim et al.  
 D1,016,180 S \* 2/2024 Allmendinger ..... D12/171  
 D1,017,485 S \* 3/2024 Soward ..... D12/167  
 D1,017,722 S \* 3/2024 Christensen ..... D21/561  
 2011/0005424 A1 1/2011 Stiedl  
 2020/0276951 A1 9/2020 Riva  
 2020/0276952 A1 9/2020 Aizawa et al.  
 2020/0322546 A1 10/2020 Carolus et al.  
 2021/0046395 A1 \* 2/2021 Allmendinger ..... A63H 17/264  
 2023/0219010 A1 7/2023 Christensen et al.  
 2024/0115965 A1 \* 4/2024 Christensen ..... A63H 17/262

OTHER PUBLICATIONS

Underbody Skid Shield Package, as shown in [www.accessories.gmc.com](http://www.accessories.gmc.com), no date listed, date found Jun. 6, 2024. Part No. 84962765. (Year: 2024).\*

Traxxas X-Maxx Skid Plate, Front & Rear, as shown in [www.amazon.com](http://www.amazon.com), Jan. 5, 2016, ASIN B01A6YD5IS. (Year: 2016).\*

Skid plates. (Design—© Questel) [orbit.com](http://orbit.com). [Online PDF compilation of references] 49 pgs. Print Dates Range Aug. 19, 2022-Mar. 25, 2010 [Retrieved Apr. 10, 2024].

RPM Traxxas Sledge Front Bumper & Skid Plate. 2024. Hobby Time RC. <https://www.hobbytimerc.com/rpm-traxxas-sledge-front-bumper-skid-plate-black-7.html>.

Front Bumper and Skid Plate for the Traxxas Sledge. 2024. RPM RC. <https://rpmrcproducts.com/shop/bumpers/front-bumpers/front-bumper-and-skid-plate-for-the-traxxas-sledge/>.

RPM70982, RPM Traxxas Sledge Front Bumper & Skid Plate. 2024. Race Day Quads. <https://www.racedayquads.com/products/rpm70982-rpm-traxxas-sledge-front-bumper-skid-plate-black>.

Ege Arguden, et al.; U.S. Pat. No. D1,008,114; Vehicle Rear Skid Plate; Dec. 19, 2023.

Unknown, Axial SCX10 II 2000 Jeep Cherokee 1/10th Scale Electric 4WD—RTR; <http://www.axialracing.com/products/ax90047>; Aug. 2016.

Unknown, Axial SCX10 Deadbolt 1/10th Scale Electric 4WD—RTR; <http://axialracing.com/products/ax90044>; Aug. 2016.

Unknown, Tibus Off-Road Engineering; Land Rover Defender, <http://www.tibus-offroad.com/en/products/bolt-on-portals/land-rover/>; Aug. 2016.

Unknown, HPI Racing; HPI Venture FJ Cruiser; <http://www.hpiracing.com/en/article/view/2016012702>; Aug. 2016.

Unknown, Traxxas; Slash 4x4 Overview; Oct. 2009.

Traxxas Skidplate Set, Earliest Available Date Jul. 17, 2009 [Online], [Site Visited Nov. 3, 2020] Available From Internet, URL: <[https://www.amainhobbies.com/traxxas-skidplate-set-tra7037/p139497?gclid=EAlalQobChMlz9HfodHm7AIVy8DICH1FYgZzEAQYAyABEgLQ2fD\\_BwE](https://www.amainhobbies.com/traxxas-skidplate-set-tra7037/p139497?gclid=EAlalQobChMlz9HfodHm7AIVy8DICH1FYgZzEAQYAyABEgLQ2fD_BwE)> (Year: 2009).

ARB Skid Plates for Toyota Tacoma (2005+), Tin-Eye Date Dec. 7, 2019 [Online], [Site Visited Nov. 3, 2020] Available From Internet, URL: <<https://aventuron.com/collections/arb/products/arb-skid-plates-for-toyota-tacoma-2005>> (Year: 2019).

Traxxas Sledge Rear Bumper w/ Skid plate & Tie Bar Mount, as shown in [www.hobbytown.com](http://www.hobbytown.com), Jul. 19, 2022, #TRA9536. (Year: 2022).

Billet Machined Front Skid Plate & Bumper w/ 1-Pc Block for Traxxas 1/8 Sledge C32941GREY New Item, Item#C32941GREY Barcode: 91789045338, as shown in [www.integy.com](http://www.integy.com), No date listed. (Year: NA) (Year: NA).

Christensen, Casey Christen Jens, et al.; U.S. Pat. No. D1,002,751; Model Vehicle Skid Pad; Oct. 24, 2023.

Traxxas XRT Center Skid Plate, as shown in [www.amainhobbies.com](http://www.amainhobbies.com), May 16, 2023, Part # TRA7837. (Year: 2023).

Traxxas X-Maxx Center Skid Plate, as shown in [www.amazon.com](http://www.amazon.com), Jan. 5, 2016, ASIN B01A6YD5H4. (Year: 2016).

Ajrc Escape Board Climbing Car Skid Plate For 1/18 Rc Tracked Vehicle Traxxas Trx4m Defender Bronco Wpl D12 Mn-d90 Escape Board, as shown in [www.aliexpress.com](http://www.aliexpress.com), no date listed, date found Jun. 6, 2024. (Year: 2024).

HPI Racing—Center Skid Plate (Savage XL Flux V2) HP160311, as shown in [www.eurorc.com](http://www.eurorc.com), no date listed, date found Jun. 6, 2024. (Year: 2024).

Hagler, Skylar, et al.; U.S. Pat. No. D1,013,062; Model Vehicle Wing; Jan. 30, 2024.

\* cited by examiner

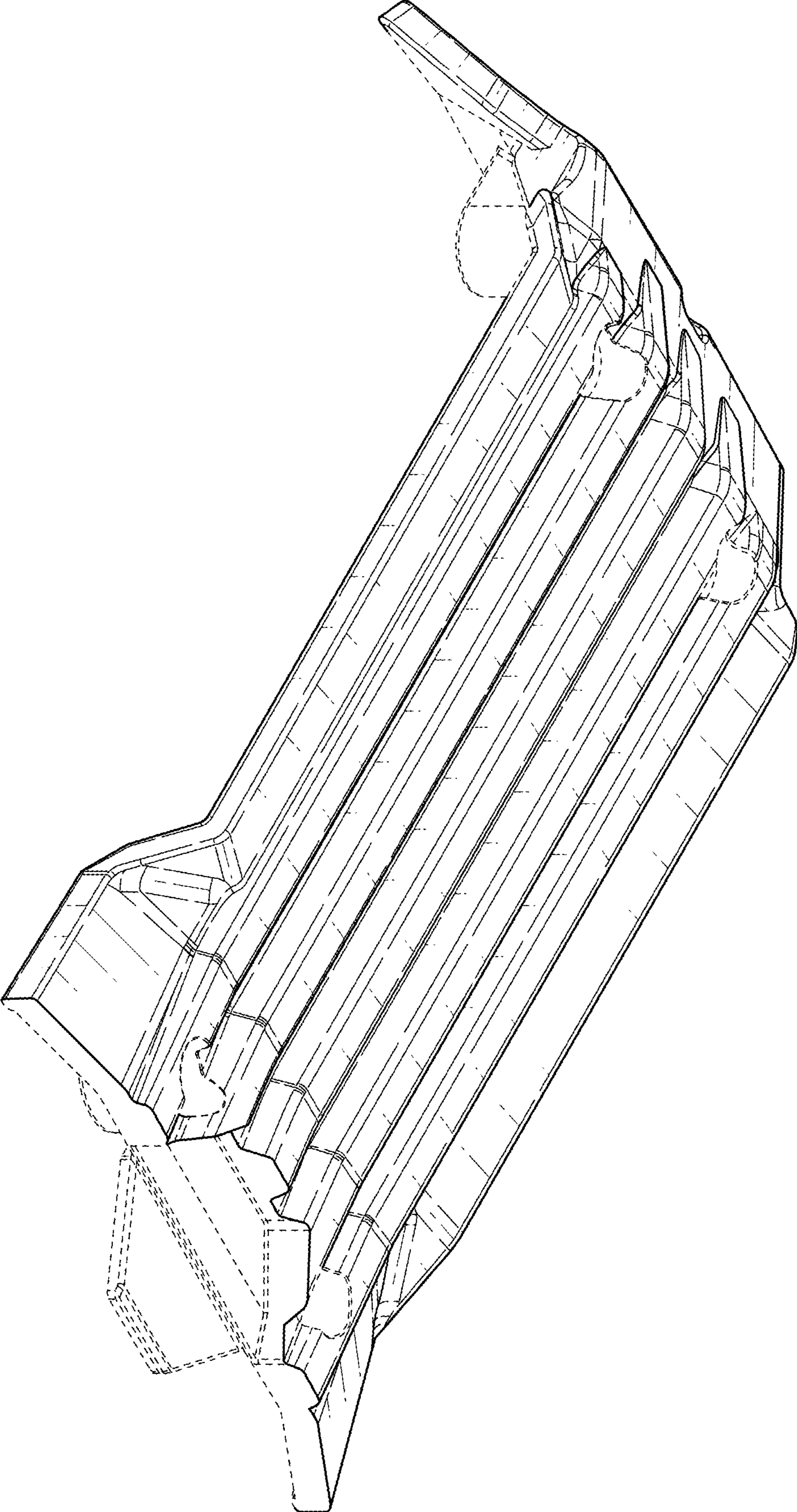


FIG. 1

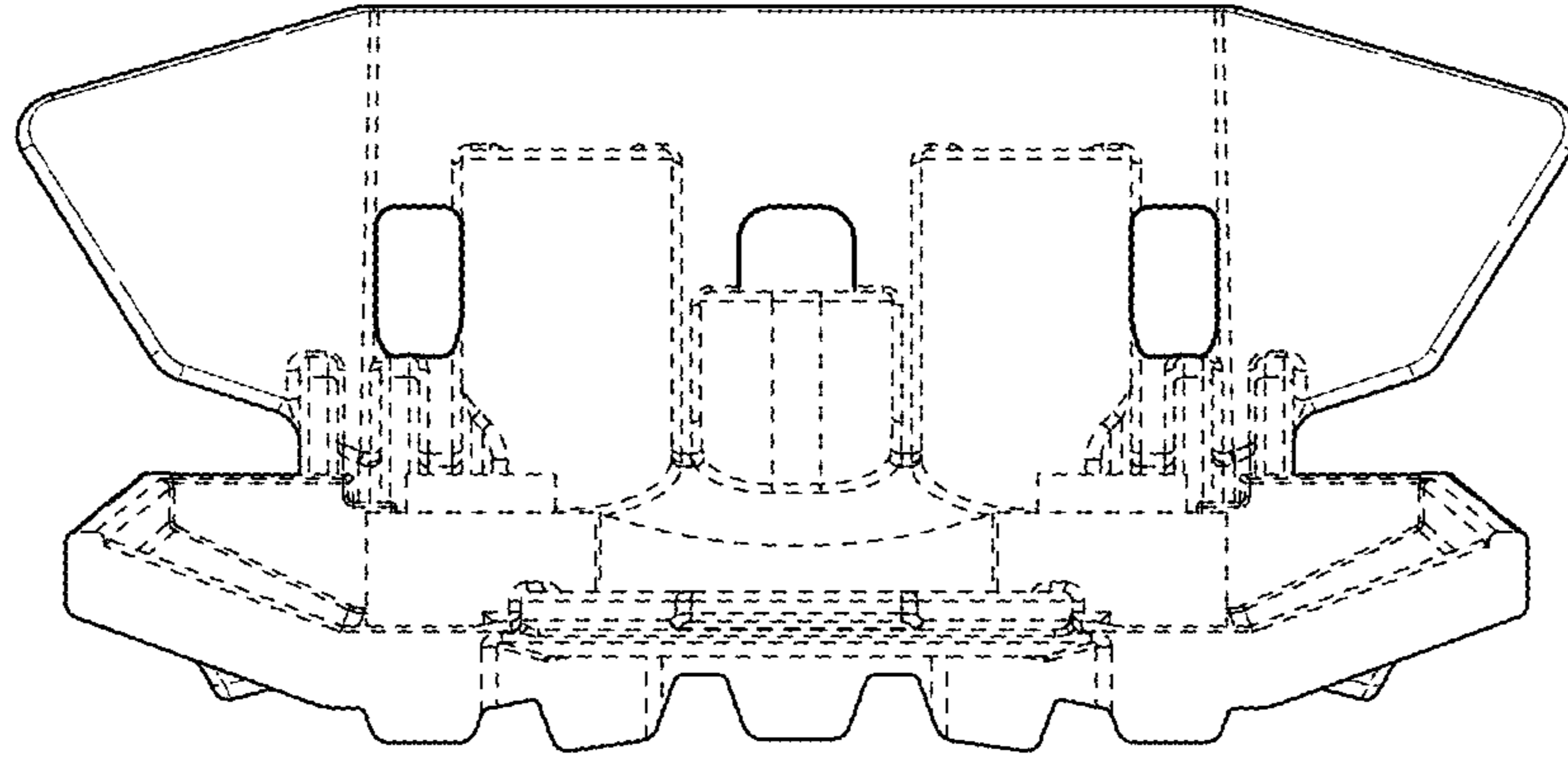


FIG. 2

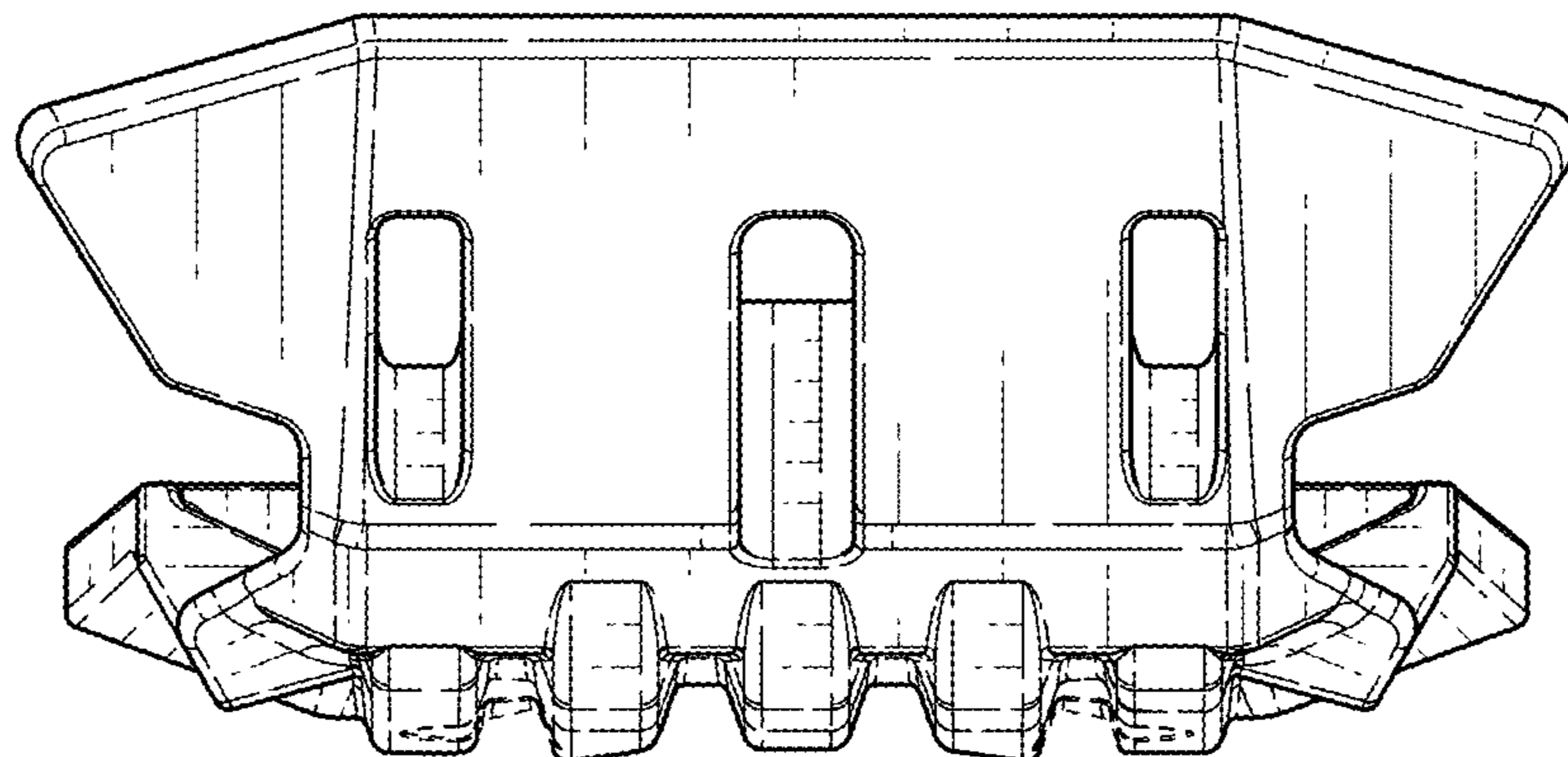


FIG. 3

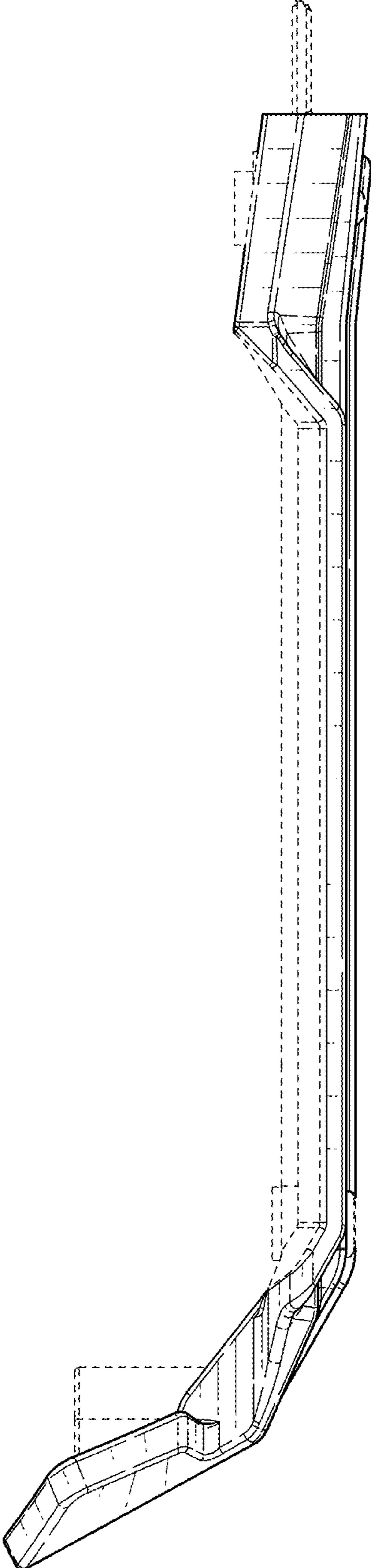


FIG. 4

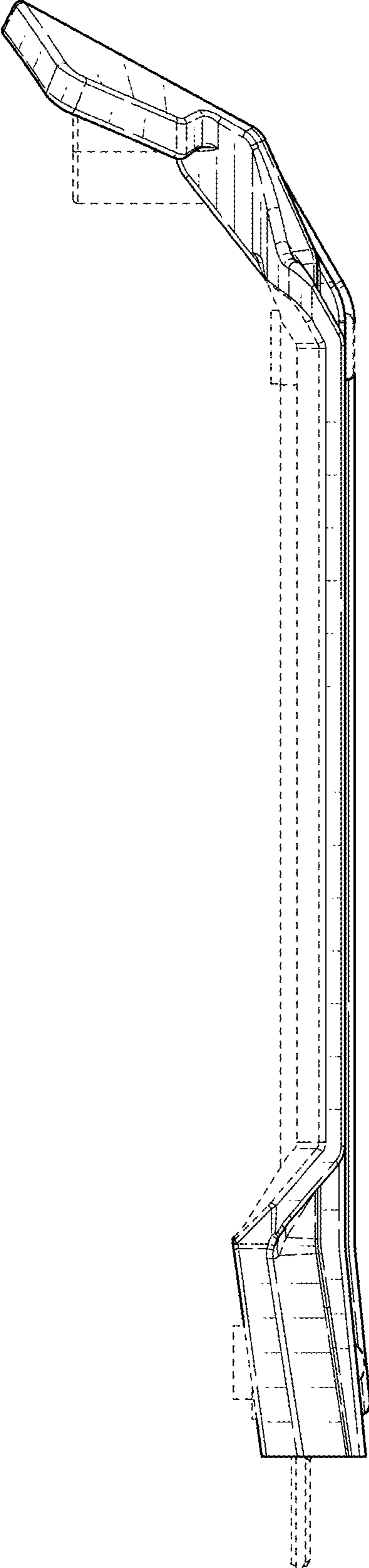


FIG. 5

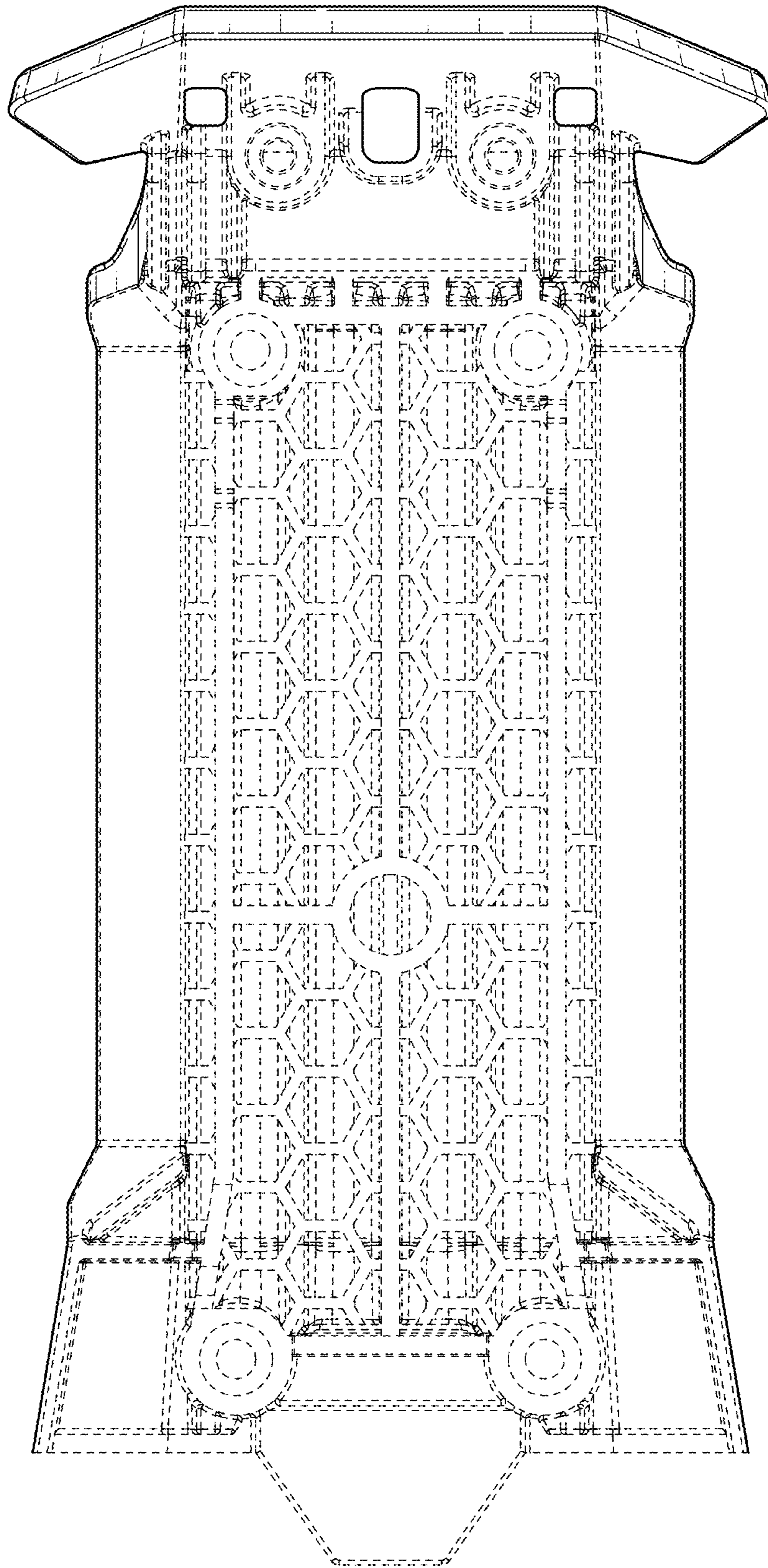


FIG. 6

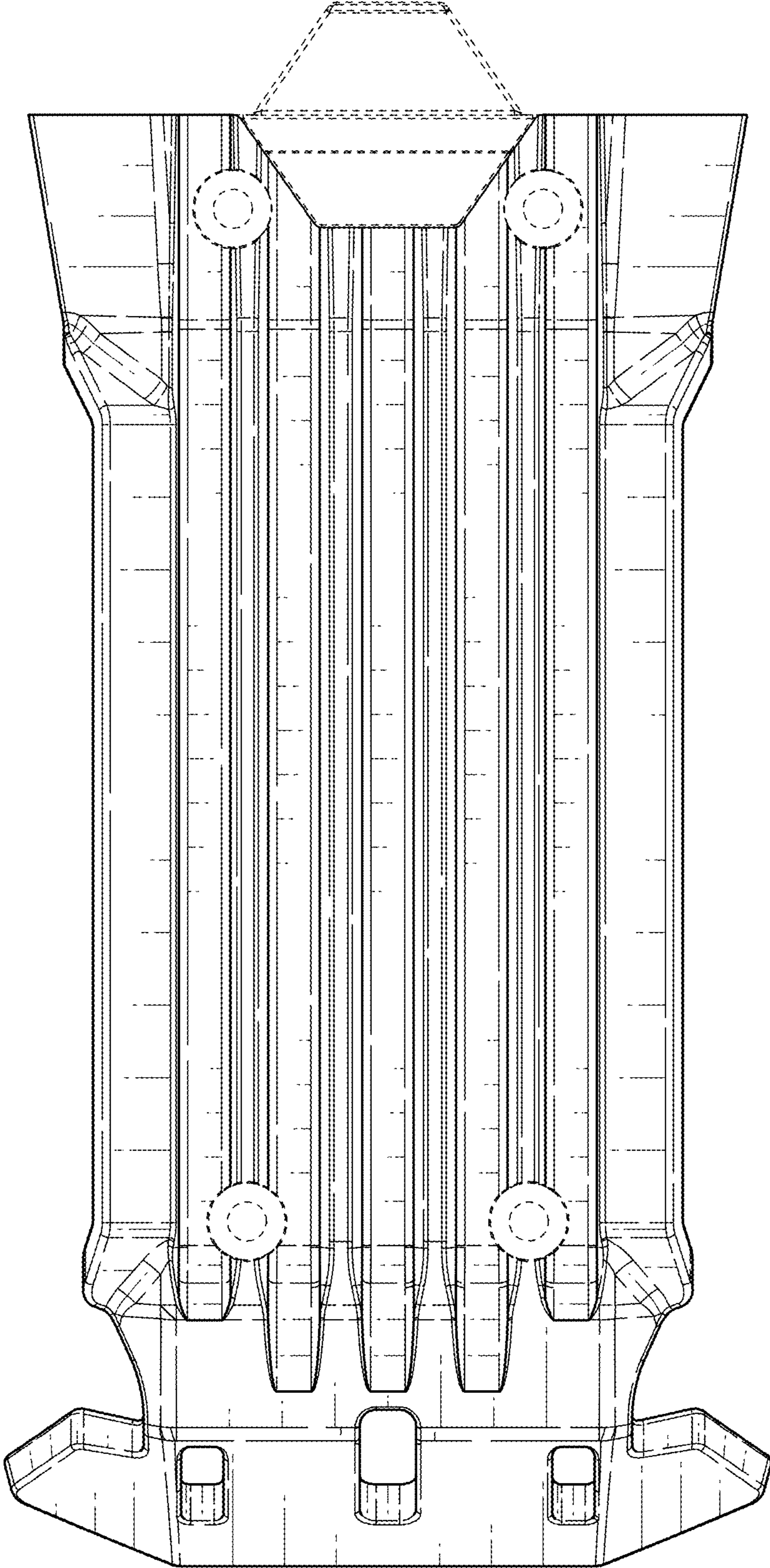


FIG. 7

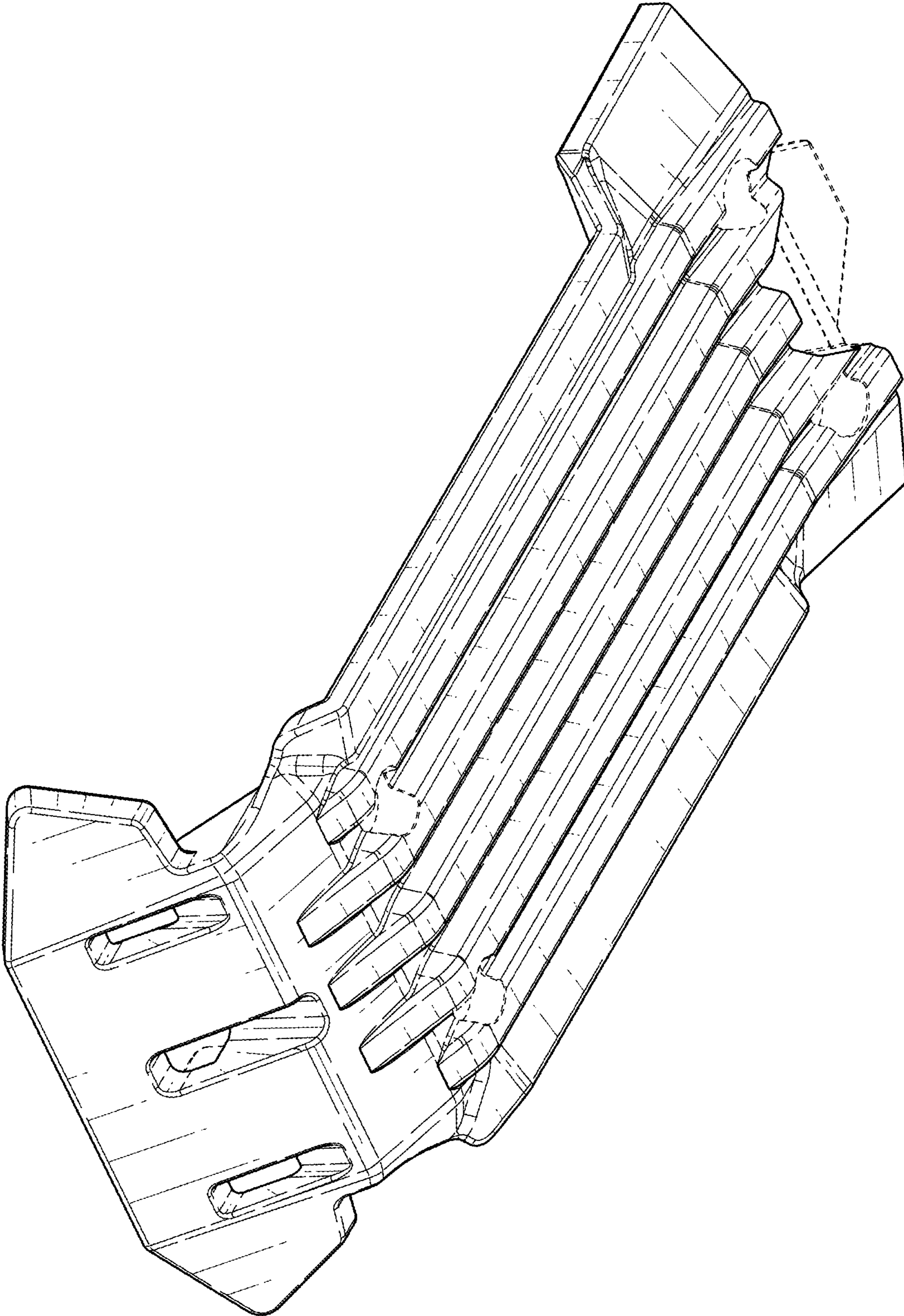


FIG. 8



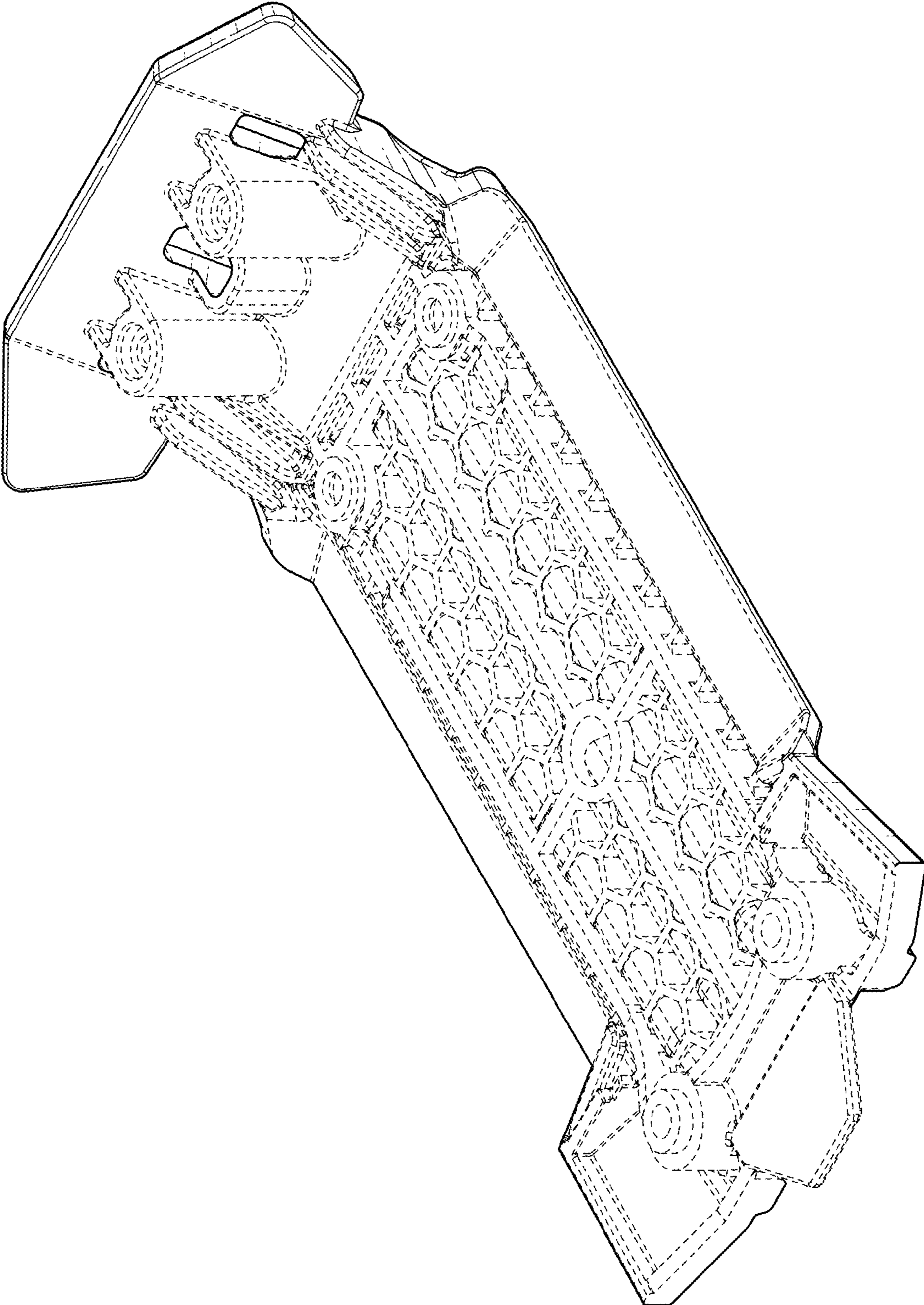


FIG. 9