



US0D1040252S

(12) **United States Design Patent**
Ewing et al.

(10) **Patent No.: US D1,040,252 S**

(45) **Date of Patent: ** Aug. 27, 2024**

- (54) **MODEL VEHICLE SKID PLATE**
- (71) Applicant: **TRAXXAS, L.P.**, McKinney, TX (US)
- (72) Inventors: **Adam Cole Ewing**, McKinney, TX (US); **Kent Poteet**, Lucas, TX (US); **Casey Christen Jens Christensen**, McKinney, TX (US); **Otto Karl Allmendinger**, Rowlett, TX (US); **Skylar Hagler**, Anna, TX (US); **Jory Sprowl**, Honey Grove, TX (US)
- (73) Assignee: **TRAXXAS, L.P.**, McKinney, TX (US)
- (**) Term: **15 Years**
- (21) Appl. No.: **29/847,744**
- (22) Filed: **Jul. 27, 2022**
- (51) **LOC (14) Cl.** **21-01**
- (52) **U.S. Cl.**
USPC **D21/561**
- (58) **Field of Classification Search**
USPC D21/433, 495, 533, 548, 549, 550, 560, D21/561, 562, 565; D12/106, 167, 171, D12/196, 317, 406, 412, 418
CPC A63H 17/262; A63H 17/26; A63H 30/04; A63H 17/004; A63H 33/005; A63H 15/06; A63H 17/00
See application file for complete search history.

- D577,083 S 9/2008 Nakayama
- D593,616 S 6/2009 Asai
- D597,151 S 7/2009 Ishikawa
- D740,719 S 10/2015 Schanz et al.
- D751,953 S 3/2016 Hayes et al.
- D769,163 S 10/2016 Platto et al.
- D779,392 S 2/2017 Hare

(Continued)

OTHER PUBLICATIONS

Traxxas XRT Center Skid Plate, as shown in www.amainhobbies.com, May 16, 2023, Part # TRA7837. (Year: 2023).*

(Continued)

Primary Examiner — Gino Colan

Assistant Examiner — Gregory G McLemore

(74) *Attorney, Agent, or Firm* — Daryl R. Wright; Greg Carr

(57) **CLAIM**

We claim the ornamental design for a model vehicle skid plate, as shown and described.

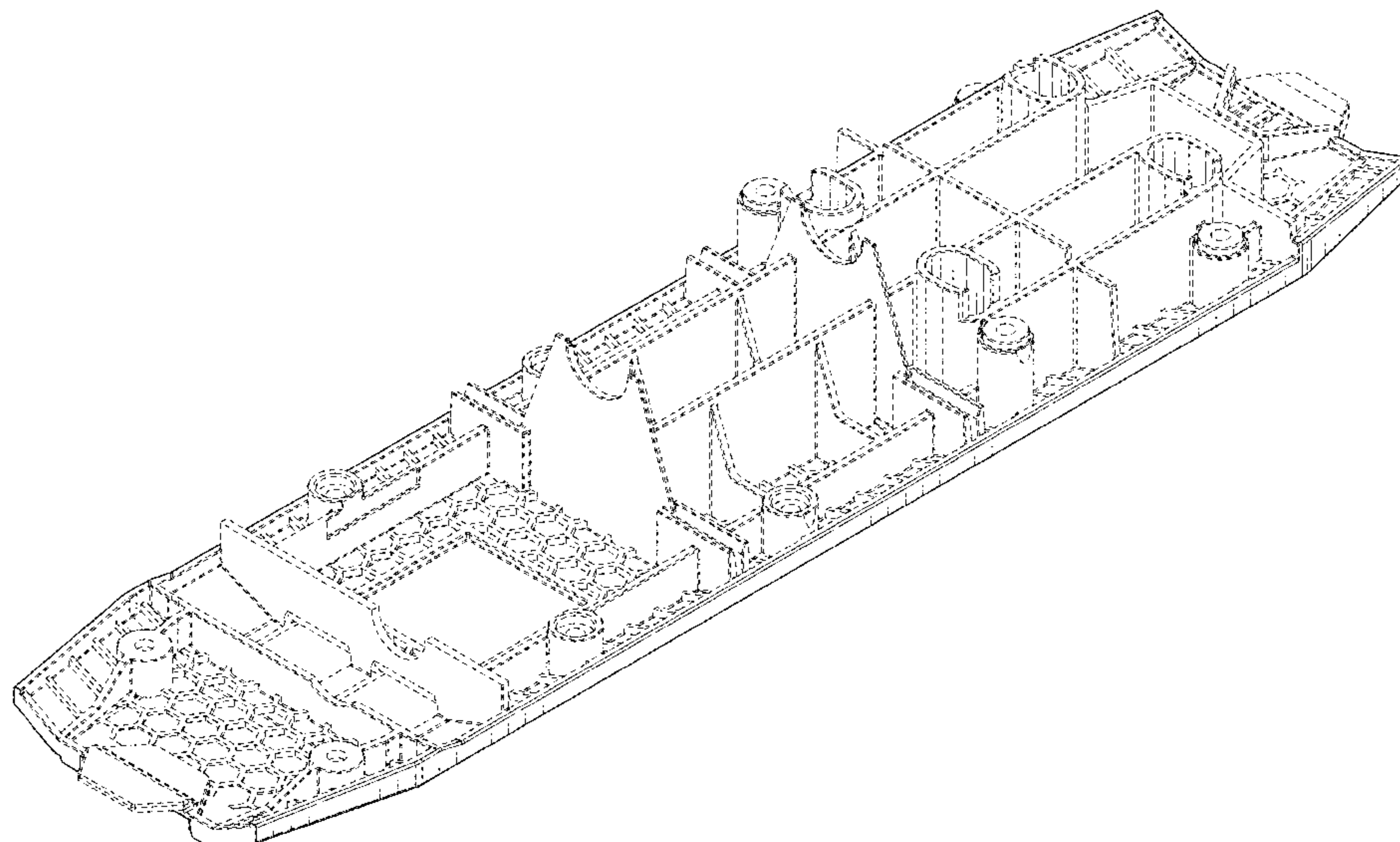
DESCRIPTION

FIG. 1 is an upper, left, front perspective view of a model vehicle skid plate showing our new design; FIG. 2 is a front elevation view thereof; FIG. 3 is a rear elevation view thereof; FIG. 4 is a right side elevation view thereof; FIG. 5 is a left side elevation view thereof; FIG. 6 is an upper plan view thereof; FIG. 7 is a lower plan view thereof; FIG. 8 is a lower, left, front perspective view thereof; and, FIG. 9 is a lower, right, rear perspective view of the model vehicle skid plate.

In the drawings, the broken lines illustrate portions of the model vehicle skid plate that form no part of the claimed design.

1 Claim, 7 Drawing Sheets

- (56) **References Cited**
U.S. PATENT DOCUMENTS
- D309,930 S 8/1990 Asaeda
- D317,336 S 6/1991 Tsuchiya
- D332,979 S 2/1993 Tsuchiya
- D335,484 S 5/1993 Moyle et al.
- D381,376 S 7/1997 Edwards
- D403,023 S 12/1998 Araki
- D476,927 S 7/2003 Delgado
- D477,257 S 7/2003 Delgado
- D534,593 S 1/2007 Yuen



(56)

References Cited

U.S. PATENT DOCUMENTS

D822,126	S	7/2018	Allmendinger et al.	
D852,698	S	7/2019	Grewer	
D857,575	S	8/2019	Harriton et al.	
D857,576	S	8/2019	Harriton et al.	
D860,088	S	9/2019	Harriton et al.	
D864,819	S	10/2019	Grossaint	
D867,232	S	11/2019	Izard	
D870,606	S	12/2019	Hagler et al.	
D870,615	S	12/2019	Wood	
D874,999	S	2/2020	Ewing et al.	
D877,014	S	3/2020	Harriton et al.	
D894,809	S	9/2020	Chi	
10,814,917	B2	10/2020	Lorenz et al.	
D907,541	S	1/2021	Cox	
D923,112	S	6/2021	Hagler et al.	
D923,113	S	6/2021	Hagler et al.	
D924,338	S *	7/2021	Wood	D21/561
D928,679	S	8/2021	Liang	
D930,760	S *	9/2021	Ewing	D21/562
D950,449	S	5/2022	Kil	
D964,482	S *	9/2022	Ewing	D21/562
D965,490	S	10/2022	Akrapovic et al.	
D977,382	S	2/2023	Kim et al.	
D1,013,062	S *	1/2024	Hagler	D21/561
D1,016,180	S *	2/2024	Allmendinger	D12/171
D1,017,722	S *	3/2024	Christensen	D21/561
2011/0005424	A1	1/2011	Stiedl	
2020/0276951	A1	9/2020	Riva	
2020/0276952	A1	9/2020	Aizawa et al.	
2020/0322546	A1	10/2020	Carolus et al.	
2021/0046395	A1 *	2/2021	Allmendinger	A63H 17/264
2023/0219010	A1	7/2023	Christensen et al.	
2024/0115965	A1 *	4/2024	Christensen	A63H 17/262

OTHER PUBLICATIONS

Traxxas X-Maxx Center Skid Plate, as shown in www.amazon.com, Jan. 5, 2016, ASIN B01A6YD5H4. (Year: 2016).*

Ajrc Escape Board Climbing Car Skid Plate For 1/18 Rc Tracked Vehicle Traxxas Trx4m Defender Bronco Wpl D12 Mn-d90 Escape Board, as shown in www.aliexpress.com, no date listed, date found, Jun. 6, 2024. (Year: 2024).*

HPI Racing—Center Skid Plate (Savage XL Flux V2) HP160311, as shown in www.eurorc.com, no date listed, date found Jun. 6, 2024. (Year: 2024).*

Skid plates. (Design—© Questel) orbit.com. [Online PDF compilation of reference] 49 pgs. Print Dates Range Aug. 19, 2022-Mar. 25, 2010 [Retrieved Apr. 10, 2024].

RPM Traxxas Sledge Front Bumper & Skid Plate. 2024. Hobby Time RC. <https://www.hobbytimerc.com/rpm-traxxas-sledge-front-bumper-skid-plate-black-7.html>.

Front Bumper and Skid Plate for the Traxxas Sledge. 2024. RPM RC. <https://rpmrcpropducts.com/shop/bumpers/front-bumpers/front-bumper-and-skid-plate-for-the-traxxas-sledge/>.

RPM70982, RPM Traxxas Sledge Front Bumper & Skid Plate. 2024. Race Day Quads. <https://www.racedayquads.com/products/rpm70982-rpm-traxxas-sledge-front-bumper-skid-plate-black>.

Ege Arguden, et al.; U.S. Pat. No. D. 1,008,114; Vehicle Rear Skid Plate; Dec. 19, 2023.

Traxxas Sledge Rear Bumper w/ Skid plate & Tie Bar Mount, as shown in www.hobbytown.com, Jul. 19, 2022, #TRA9536. (Year: 2022).

Billet Machined Front Skid Plate & Bumper w/ 1-Pc Block for Traxxas 1/8 Sledge C32941GREY New Item, Item# C32941GREY Barcode: 91789045338, as shown in www.integy.com, No date listed. (Year: NA) (Year: NA).

Christensen, Casey Christen Jens, et al.; U.S. Pat. No. D. 1,002,751; Model Vehicle Skid Pad; Oct. 24, 2023.

Unknown, Axial SCX10 II 2000 Jeep Cherokee 1/10th Scale Electric 4WD-RTR; <http://www.axialracing.com/products/ax90047>; Aug. 2016.

Unknown, Axial SCX10 Deadbolt 1/10th Scale Electric 4WD-RTR; <http://axialracing.com/products/ax90044>; Aug. 2016.

Unknown, Tibus Off-Road Engineering; Land Rover Defender, <http://www.tibus-offroad.com/en/products/bolt-on-portals/land-rover/>; Aug. 2016.

Unknown, HPI Racing; HPI Venture FJ Cruiser; <http://www.hpiracing.com/en/article/view/2016012702>; Aug. 2016.

Unknown, Traxxas; Slash 4x4 Overview; Oct. 2009.

Traxxas Skidplate Set, Earliest Available Date Jul. 17, 2009 [Online], [Site Visited Nov. 3, 2020] Available From Internet, URL: <https://www.amainhobbies.com/traxxas-skidplate-set-tra7037/p139497?gclid=EALalQobChMlz9HfodHm7AlVy8DlCh1FYgZzEAQYAyABEgQLQ2fD_BwE> (Year: 2009).

ARB Skid Plates for Toyota Tacoma (2005+), Tin-Eye Date Dec. 7, 2019 [Online], [Site Visited Nov. 3, 2020] Available From Internet, URL: <<https://aventuron.com/collections/arb/products/arb-skid-plates-for-toyota-tacoma-2005>> (Year: 2019).

Traxxas XRT Front and Rear Skid Plates, as shown in www.hobbytown.com, Jun. 12, 2023, Part # TRA7844. (Year: 2023).

Underbody Skid Shield Package, as shown in www.accessories.gmc.com, no date listed, date found Jun. 6, 2024. Part No. 84962765. (Year: 2024).

Traxxas X-Maxx Skid Plate, Front & Rear, as shown in www.amazon.com, Jan. 5, 2016, ASIN B01A6YD5IS. (Year: 2016).

Soward, Terry, et al.; U.S. Pat. No. D. 1,017,485; Model Vehicle Bumper Assembly; Mar. 12, 2024.

* cited by examiner

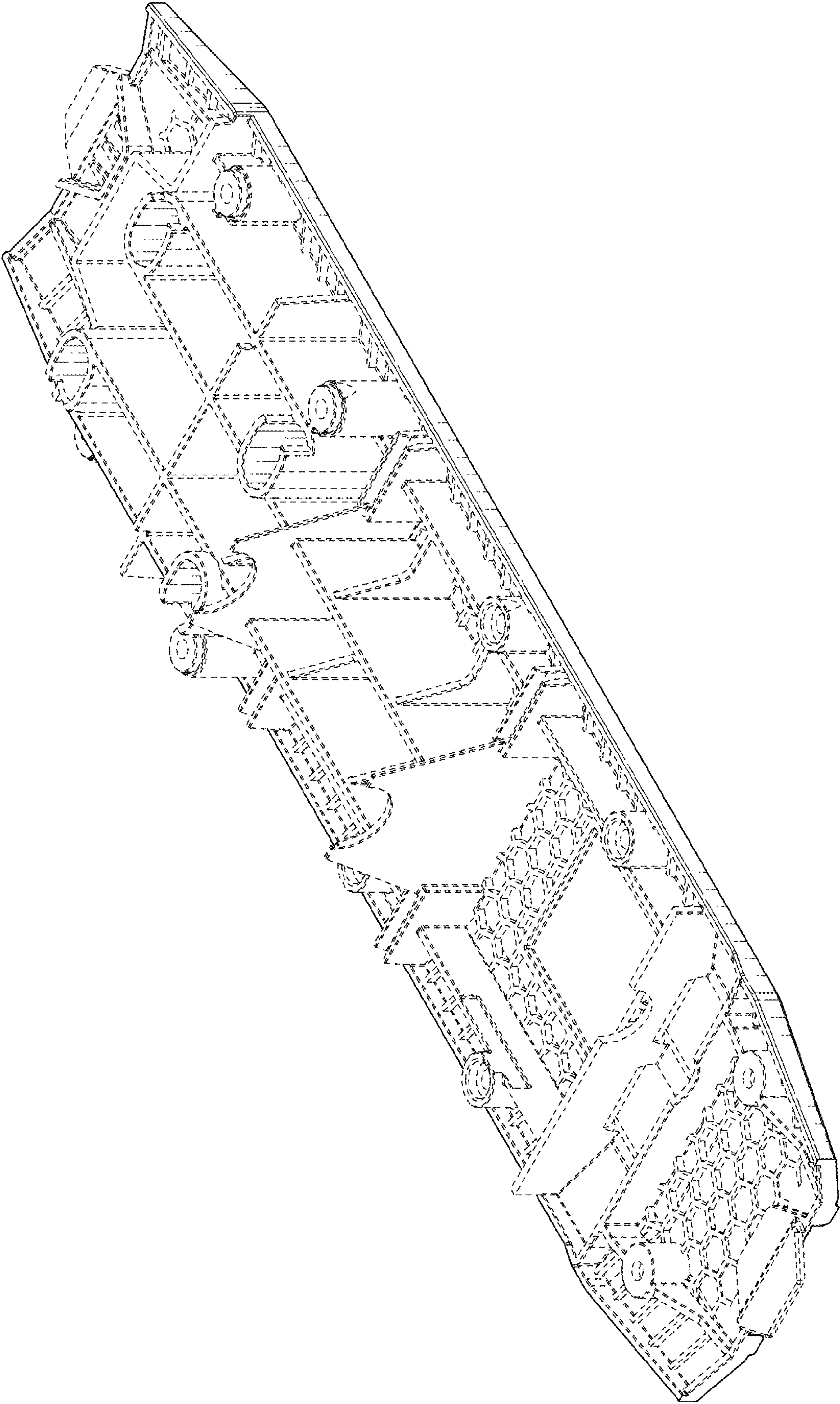


FIG. 1

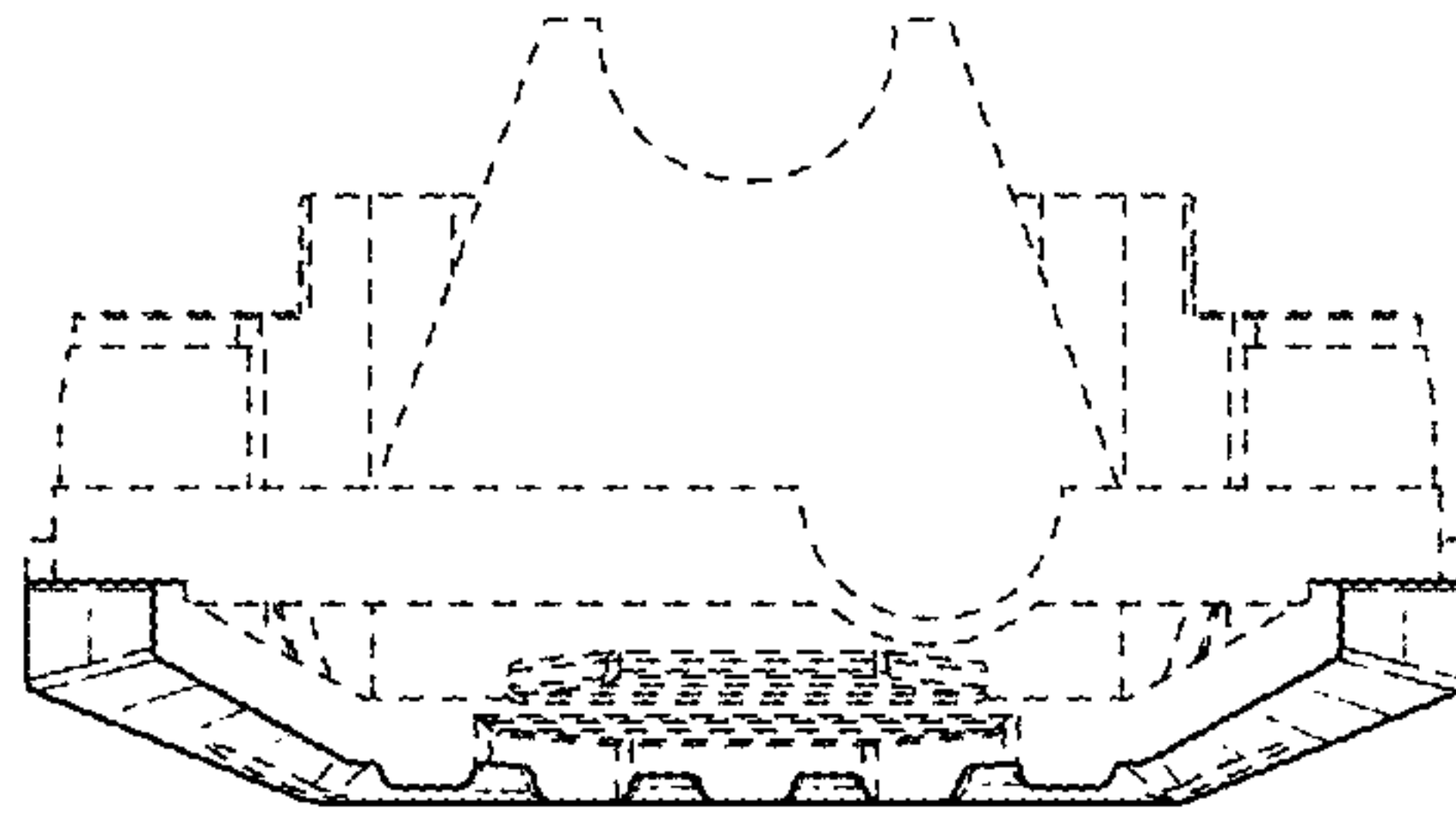


FIG. 2

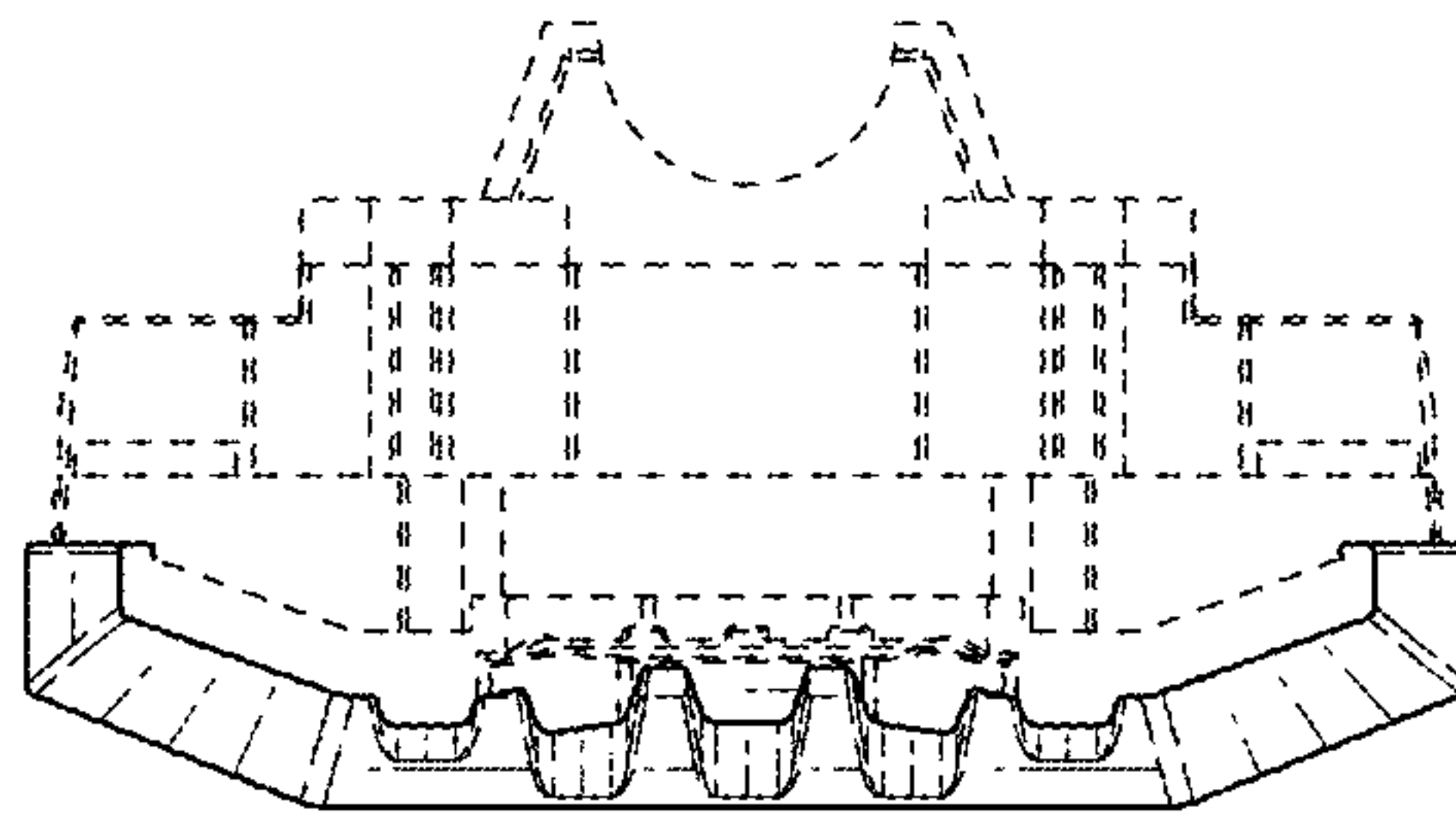


FIG. 3

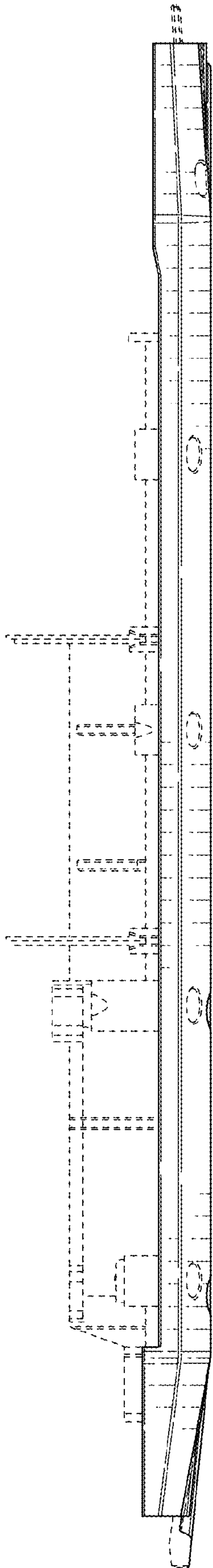


FIG. 4

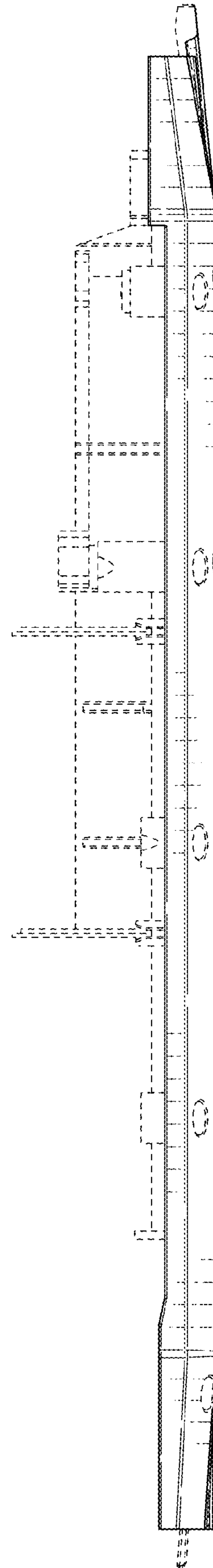


FIG. 5

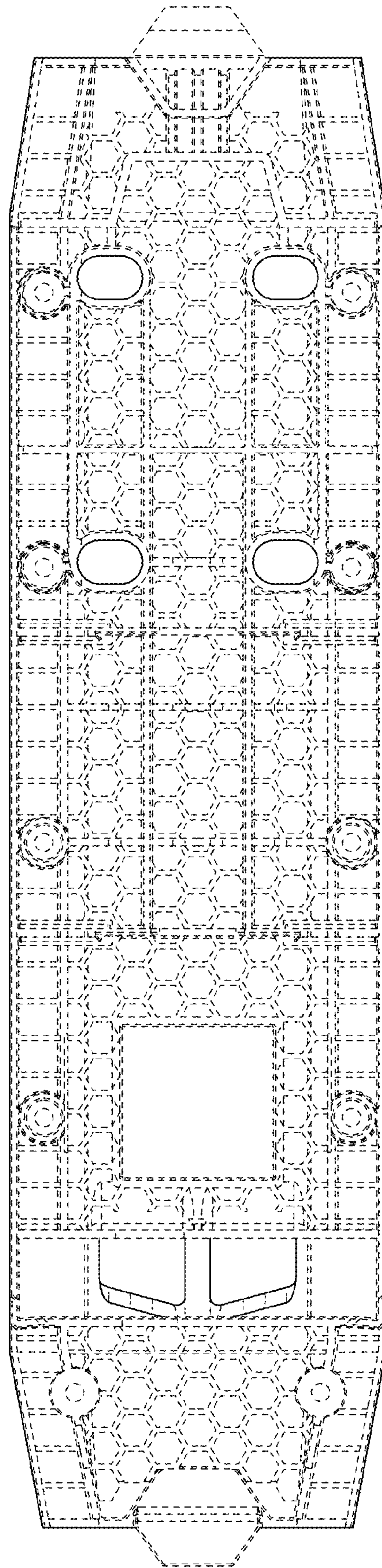


FIG. 6

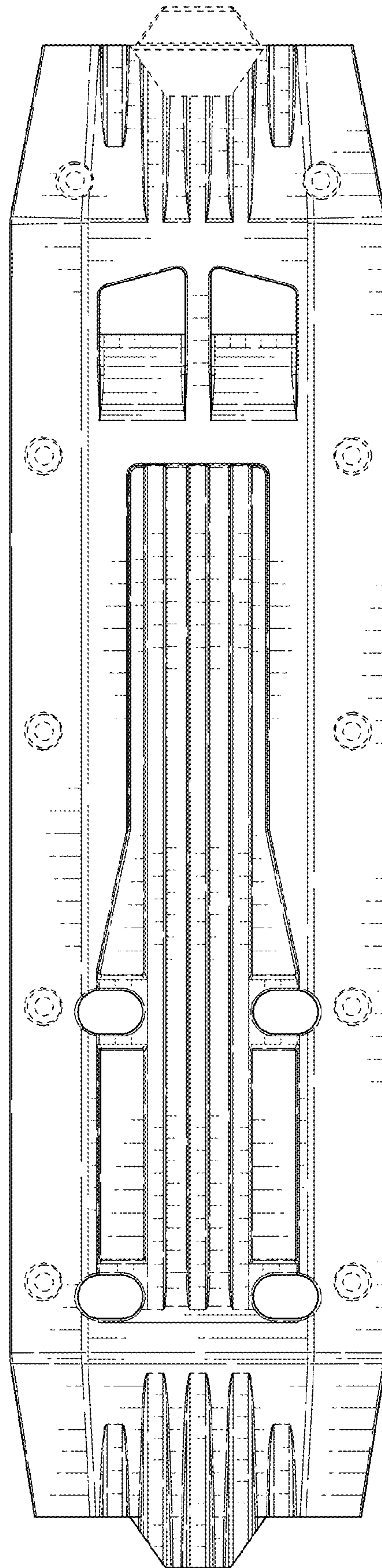


FIG. 7

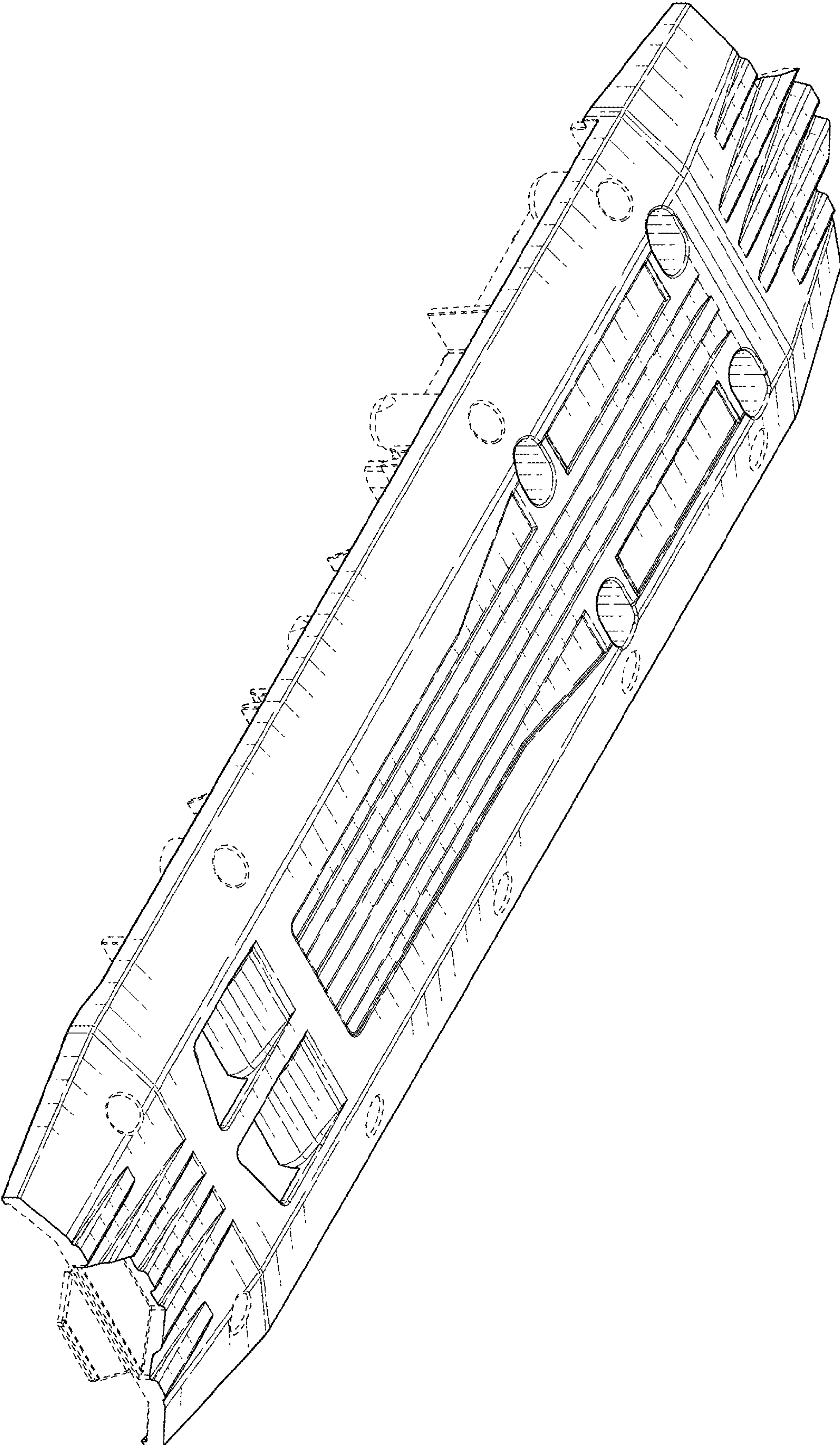


FIG. 8

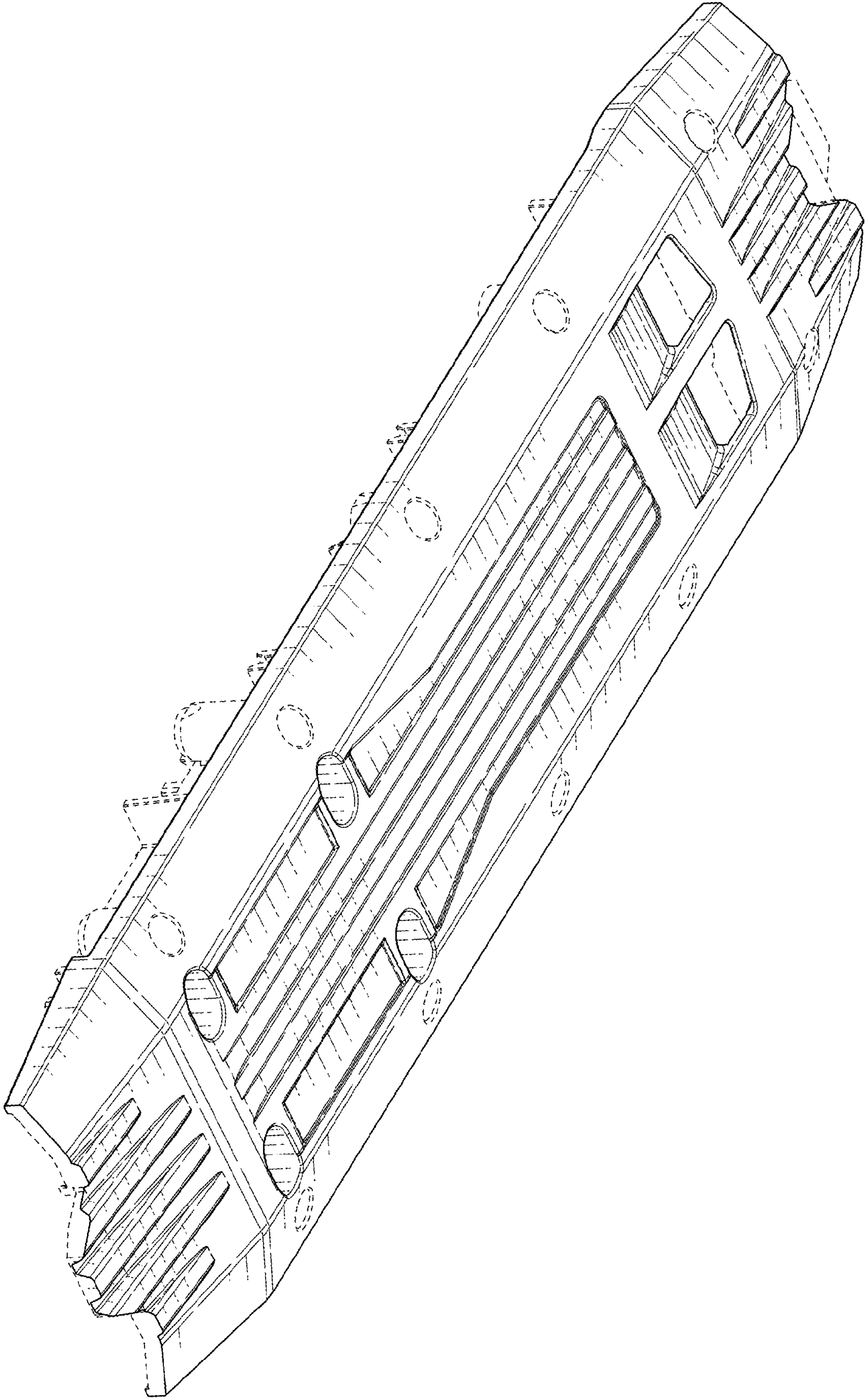


FIG. 9