



US0D1040220S

(12) **United States Design Patent** (10) **Patent No.:** **US D1,040,220 S**
Chapple (45) **Date of Patent:** **** Aug. 27, 2024**

(54) **PERCUSSION PAD**

(71) Applicant: **Frank Chapple**, Keller, TX (US)

(72) Inventor: **Frank Chapple**, Keller, TX (US)

(**) Term: **15 Years**

(21) Appl. No.: **29/788,222**

(22) Filed: **Apr. 16, 2021**

(51) **LOC (14) Cl.** **17-04**

(52) **U.S. Cl.**

USPC **D17/22**

(58) **Field of Classification Search**

USPC D17/22, 99; D21/405, 410

CPC G10D 13/00; G10D 13/01; G10D 13/02;

G10D 13/03; G10D 13/063; G10D

13/065; G10D 13/08; G10D 13/10; G10D

13/12; G10D 99/00

See application file for complete search history.

(56) **References Cited**

U.S. PATENT DOCUMENTS

D86,705 S * 4/1932 Dopyera D17/99

4,809,582 A * 3/1989 Chang G10D 13/20

984/151

D319,650 S * 9/1991 Hart 84/411 P

5,932,823 A * 8/1999 Jacobs G10D 13/03

84/452 P

D507,014 S * 7/2005 Ito D17/22

D606,595 S * 12/2009 Levy D21/405

D952,756 S * 5/2022 Ho D21/405

FOREIGN PATENT DOCUMENTS

JP 2002062872 A * 2/2002

JP 2008033077 A * 2/2008

OTHER PUBLICATIONS

Amazon.com. https://www.amazon.com/Silent-Practice-Waterproof-Adjustable-Straps/dp/B07V1QPKYH/ref=sr_1_85?crd=1CJJTFBC3QGTS&dib=eyJ2ljojMSJ9.5iKPuX9jdEX6B9TGU7IAKeZGndD23lsVdjVlx22h5ngDYdNZp8NqSwptS59BoZPN3IfArlw

lk4a6gbHE330Y5nEdXdrW-2FM9oESbF0Srd-nIO1yG53vL-UK2ujLy7-eT-hBZ0eUDfeTD0eKgnWC_IJVeGB-lefoBHsCCml_pkvumXq16Gg7vVjiJhluXpb09_oPF5NxiqKE9Jx_oZ3qrZJi5jaW1DPW6ozHpO0541var0fxqJtHIOockG1_U2B4c24ryuenxQMM6f3fJbkhUGkZnuZEfD1Uj3vpqKkwmY.mnChk1d1qAMZs4s-pt0Qmh01CsHHqBB1RJXHPXL8x3Y&dib_tag=se&keywords=drum+practice+pad&qid=1712265085&sprefix=drum+practic+e%2Caps%2C69&sr=8-85. "Silent Drum Pad Bag for 12 Inch, Drum Practice Pad Bag, Waterproof, with Adjustable Dual Straps Dumb Drum Practice Pad Bag". Jul. 2019 (Year: 2019).*

Prologix. <https://prologixpercussion.com/products/johnny-rabb-ostinato-practice-pad>. "Prologix | Ostinato Practice Pad—Johnny Rabb". Date Unknown: Viewed Apr. 2024 (Year: 2024).*

(Continued)

Primary Examiner — R. Johnson

(74) *Attorney, Agent, or Firm* — Norton Rose Fulbright US LLP

(57) **CLAIM**

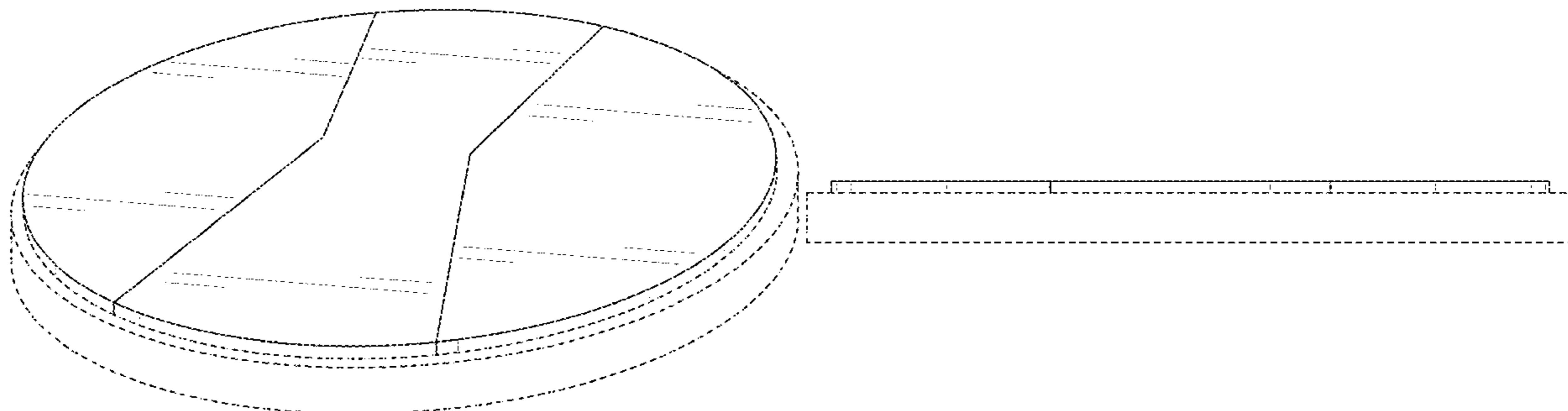
The ornamental design for a percussion pad, as shown and described.

DESCRIPTION

FIG. 1 is a top perspective view of a percussion pad; FIG. 2 is a front view of the percussion pad shown in FIG. 1; FIG. 3 is a back view of the percussion pad shown in FIG. 1; FIG. 4 is a left side view of the percussion pad shown in FIG. 1; FIG. 5 is a right side view of the percussion pad shown in FIG. 1; FIG. 6 is a top view of the percussion pad shown in FIG. 1; and, FIG. 7 is a bottom view of the percussion pad shown in FIG. 1.

The dashed lines in FIGS. 1-7 are included for the purpose of illustrating portions of a percussion pad that form no part of the claimed design.

1 Claim, 7 Drawing Sheets



(56)

References Cited

OTHER PUBLICATIONS

Long & McQuade Musical Instruments. https://www.long-mcquade.com/6659/Drums/Accessories/HQ_Percussion/Ride_Mute_-_20_Inch.htm. “SoundOff Ride Mute—20” Date Unknown: Viewed Apr. 2024 (Year: 2024).*

RCP Drum Company. <https://rcpdrum.com/products/rcp-hybrid-snare%E2%84%A2%E2%8F%B8-13-practice-pad-blue-in-stock>. “RCP Hybrid Snare™ 13” Practice Pad Blue—REMO White Max”. Date Unknown: Viewed Apr. 2024 (Year: 2024).*

* cited by examiner

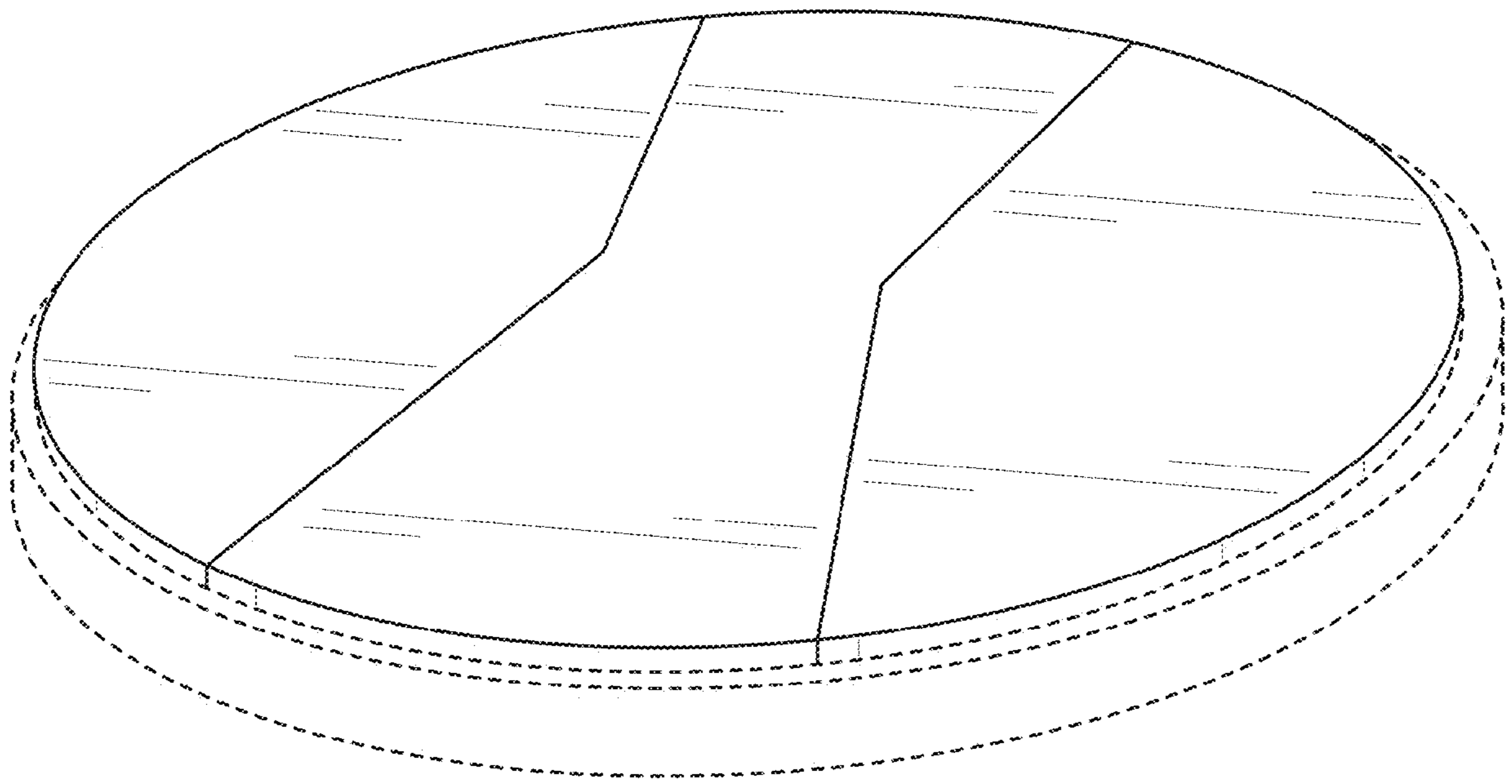


FIG. 1



FIG. 2



FIG. 3



FIG. 4



FIG. 5

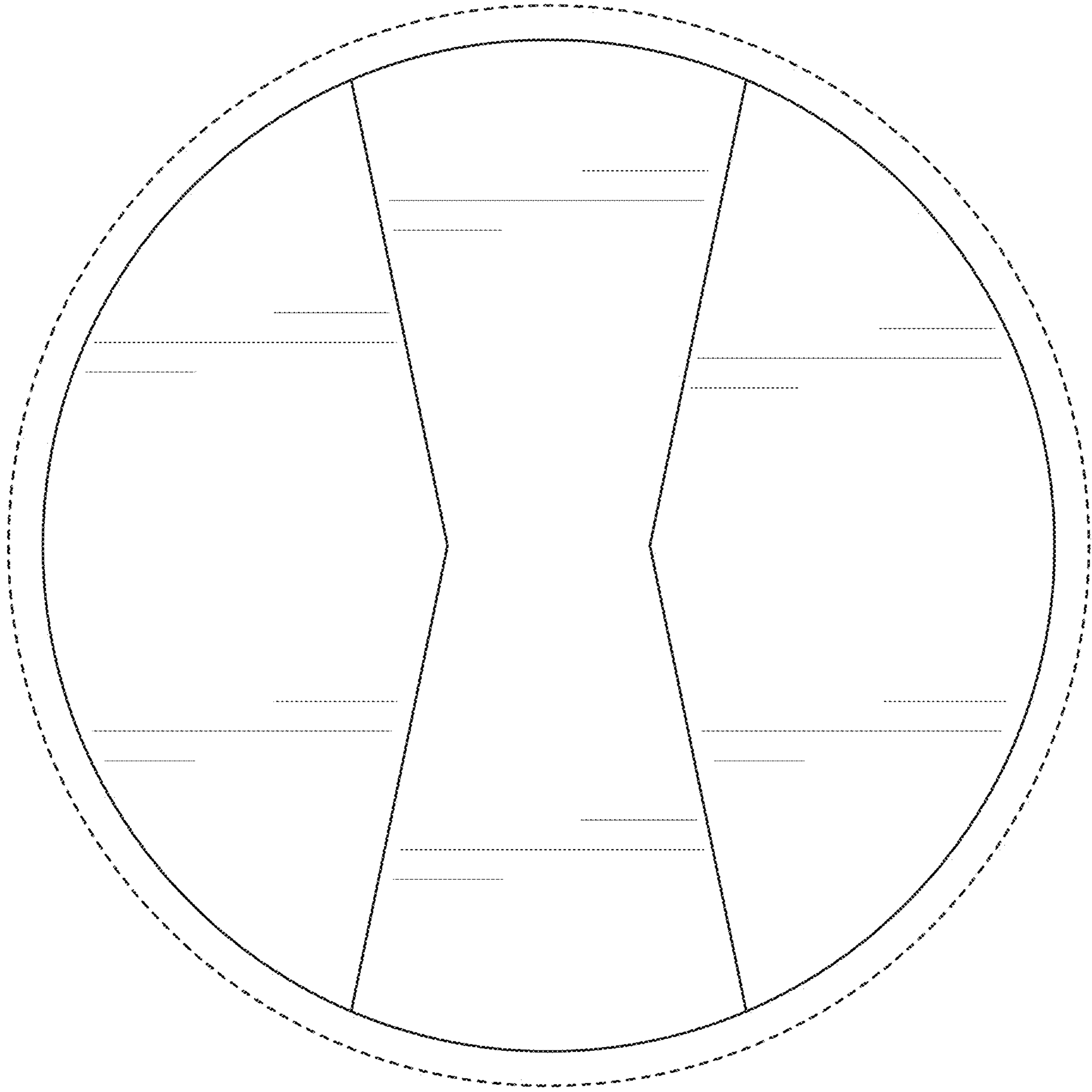


FIG. 6

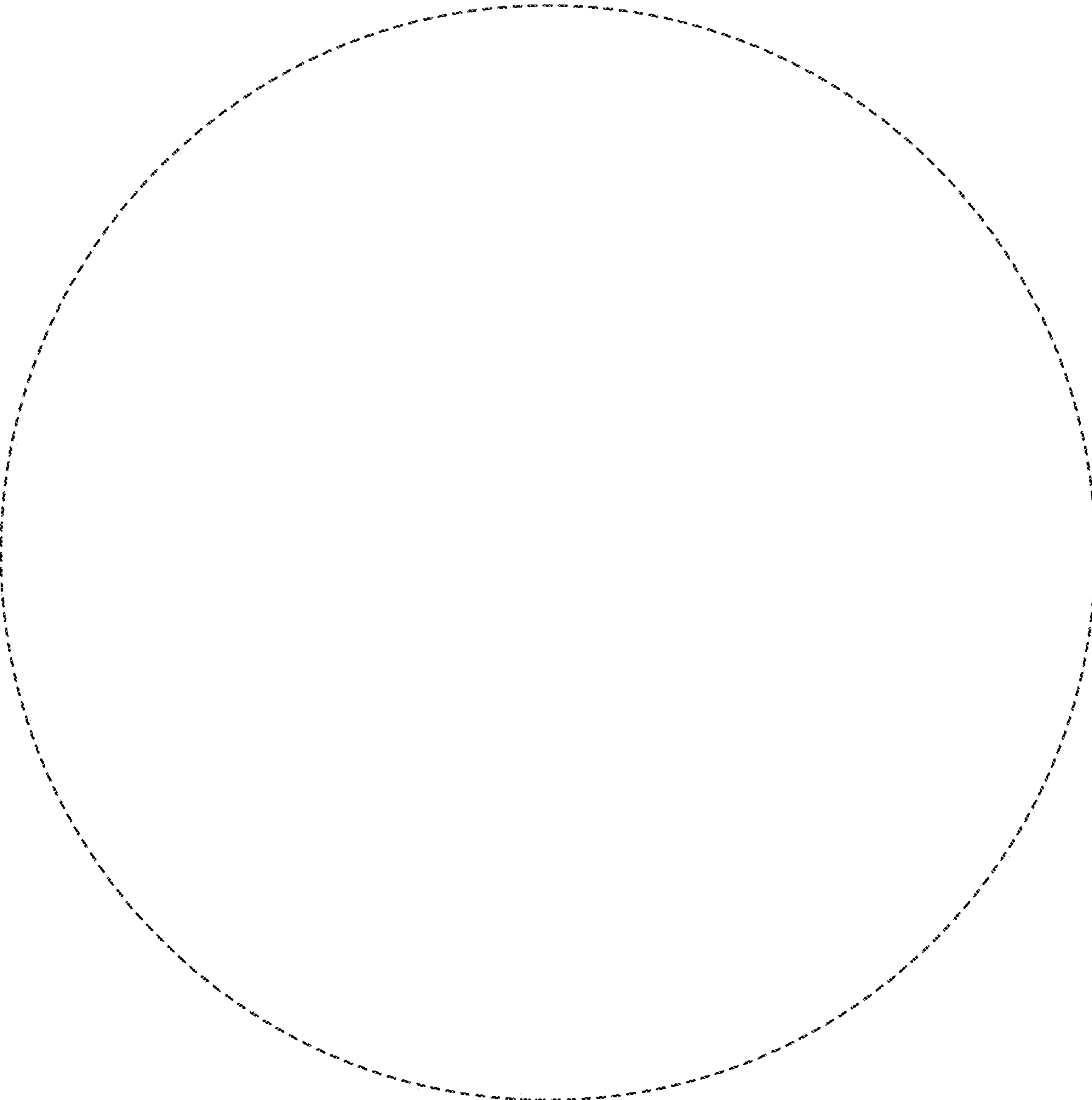


FIG. 7