



US0D1040157S

(12) **United States Design Patent** (10) **Patent No.:** **US D1,040,157 S**  
**Haddock** (45) **Date of Patent:** **\*\* Aug. 27, 2024**

(54) **SMART DEVICE CASE**

(71) Applicant: **Dwight N. Haddock**, Dallas, TX (US)

(72) Inventor: **Dwight N. Haddock**, Dallas, TX (US)

(\*\*) Term: **15 Years**

(21) Appl. No.: **29/866,204**

(22) Filed: **Sep. 1, 2022**

(51) **LOC (14) Cl.** ..... **14-02**

(52) **U.S. Cl.**

USPC ..... **D14/440**

(58) **Field of Classification Search**

USPC ..... D14/440, 248, 447, 217, 250–253, 455,  
D14/449; D12/415; D3/218, 300;  
D6/682.3, 672, 274, 274.1; D20/25, 10;  
D9/433

CPC ..... A47B 23/044; A45C 11/00

See application file for complete search history.

(56) **References Cited**

**U.S. PATENT DOCUMENTS**

D624,064 S	9/2010	Esposito	
D631,246 S	1/2011	Boettner	
D671,948 S *	12/2012	Akana	D14/440
D674,800 S	1/2013	Kim	
8,428,664 B1	4/2013	Wyers	
D684,978 S *	6/2013	Phillips	D14/440
D687,026 S	7/2013	Ruvolo	
D689,055 S *	9/2013	Snyder	D14/440
D690,928 S	10/2013	Zhang	
D709,690 S	7/2014	Zhang	
D716,817 S *	11/2014	Yang	D14/447
D721,081 S *	1/2015	Hirst	D14/440
D733,152 S	6/2015	Sirichai	
D742,890 S *	11/2015	Mecchella	D14/440
D749,557 S	2/2016	Feng	
D754,115 S	4/2016	Lin	
D755,764 S	5/2016	Dong	

(Continued)

**FOREIGN PATENT DOCUMENTS**

CN 307552261 \* 9/2022  
JP D1649709 \* 1/2020

**OTHER PUBLICATIONS**

Infiland, “Case for iPad 9th/8th/7th Generation . . .”, available at amazon.com, date first available Feb. 1, 2024, site visited Apr. 2, 2024, available at URL: https://a.co/d/6KWfFQi (Year: 2024).\*

(Continued)

*Primary Examiner* — Daniel J Domino

*Assistant Examiner* — Samina Vieth

(74) *Attorney, Agent, or Firm* — Scott Griggs; Griggs Bergen LLP

(57) **CLAIM**

The ornamental design for a smart device case, as shown and described.

**DESCRIPTION**

FIG. 1 is a front perspective view of a smart device case; FIG. 2 is a rear perspective view of the smart device case shown in FIG. 1;

FIG. 3 is a top plan view of the smart device case shown in FIG. 1;

FIG. 4 is a bottom plan view of the smart device case shown in FIG. 1;

FIG. 5 is a front elevation view of the smart device case shown in FIG. 1;

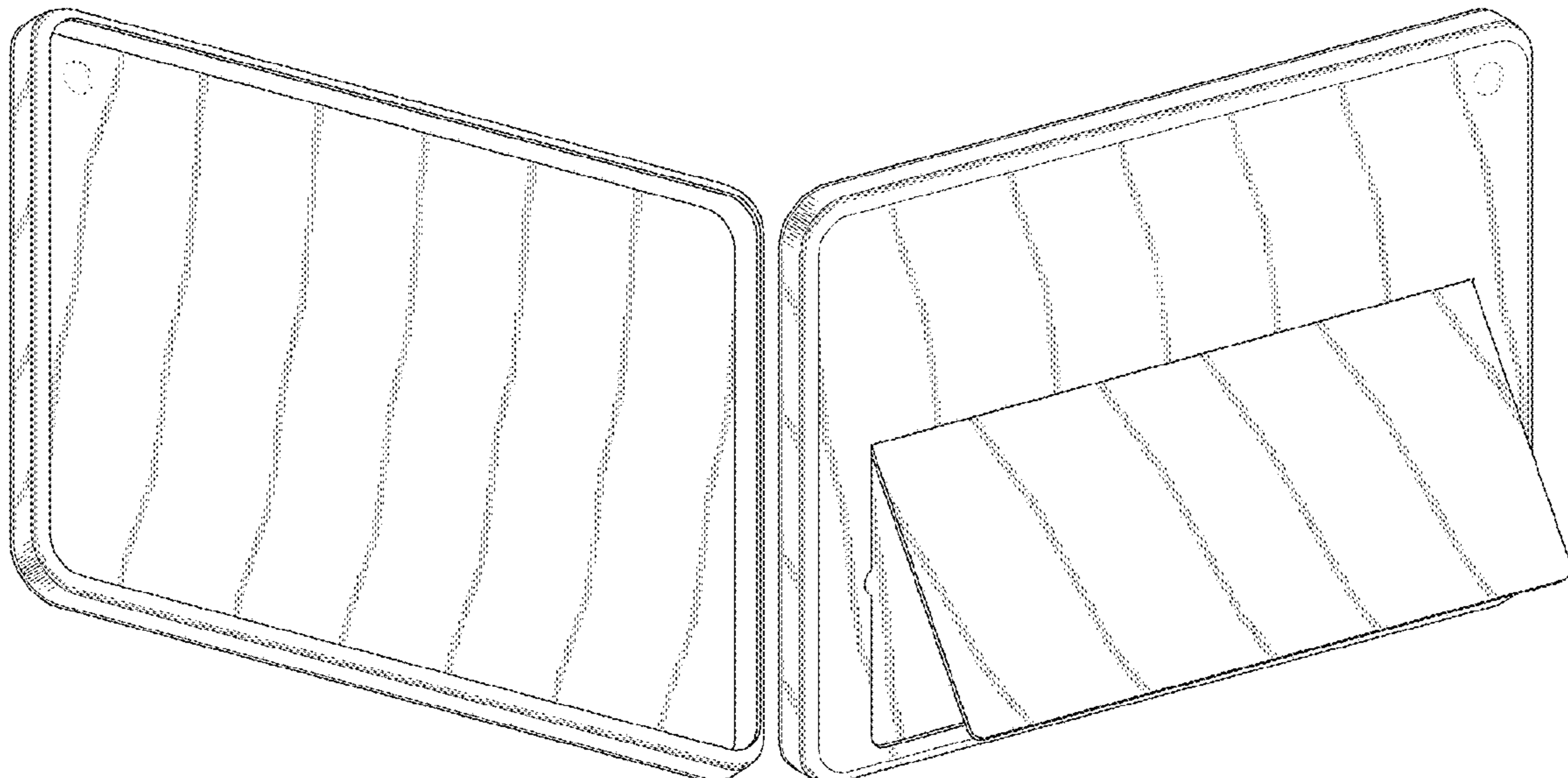
FIG. 6 is a rear elevation view of the smart device case shown in FIG. 1;

FIG. 7 is a left side elevation view of the smart device case shown in FIG. 1; and,

FIG. 8 is a right side elevation view of the smart device case shown in FIG. 1.

The broken lines illustrate portion of the smart device case and form no part of the claimed design.

**1 Claim, 6 Drawing Sheets**



(56)

References Cited

U.S. PATENT DOCUMENTS

D756,980 S 5/2016 Beeman  
 D776,646 S 1/2017 Deng  
 D778,899 S 2/2017 Khalili  
 D786,256 S \* 5/2017 Stewart ..... D14/440  
 D795,238 S 8/2017 Kim  
 D811,411 S \* 2/2018 Moore ..... D14/440  
 D830,352 S 10/2018 Chung  
 D832,854 S \* 11/2018 Jinkinson ..... D14/440  
 D832,856 S \* 11/2018 Jinkinson ..... D14/440  
 D832,857 S \* 11/2018 Jinkinson ..... D14/440  
 D837,776 S 1/2019 Chung  
 D842,289 S 3/2019 Feng  
 D842,291 S 3/2019 Feng  
 D848,409 S 5/2019 Feng  
 D849,735 S 5/2019 Fang  
 D868,791 S \* 12/2019 Weng ..... D14/440  
 10,609,995 B2 \* 4/2020 Chan ..... H04B 1/3877  
 D886,108 S \* 6/2020 Zhu ..... D14/440  
 D898,725 S 10/2020 Haddock  
 D907,044 S \* 1/2021 Cheng ..... A45C 1/00  
 D14/440  
 D910,641 S \* 2/2021 Wu ..... D14/440  
 D910,644 S \* 2/2021 Li ..... D14/440

D920,319 S 5/2021 Haddock  
 D941,824 S \* 1/2022 Kim ..... D14/440  
 D964,999 S \* 9/2022 Li ..... G06F 1/166  
 D14/440  
 D1,006,817 S \* 12/2023 Chan ..... D14/440  
 D1,010,658 S \* 1/2024 Chu ..... D14/440

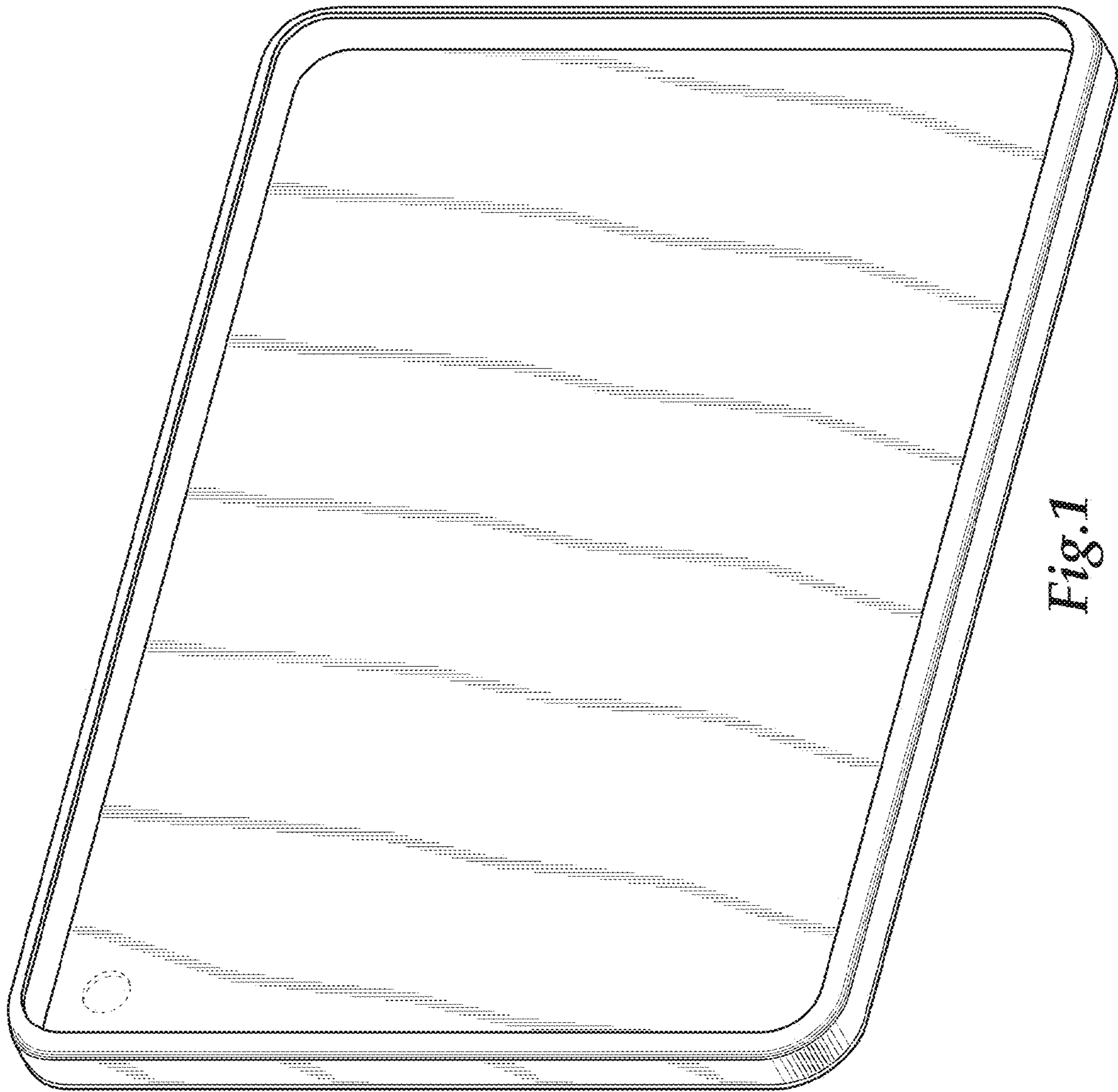
OTHER PUBLICATIONS

Eco Rugged Cases, “for Microsoft Surface Pro Series . . . ”, available at amazon.com, date first available Jan. 15, 2024, site visited Apr. 2, 2024, available at URL: <https://a.co/d/j8EbPyd> (Year: 2024).\*

“Eezl Phone Case Stand, Grip & more! Easy Grip, Vertical & Horizontal stand case iphone 11” [online]. C2Wireless. [Published on Sep. 18, 2019]. Retrieved from the Internet: <<https://www.youtube.com/watch?v=CzC-n-Ykh4g>>.

“iPhone 6S Case, iPhone 6 Case, ZVEDeng Vertical and Horizontal Stand Hand Strap[ . . . ]” [online]. ZVEDeng. [Date First Available May 5, 2016]. Retrieved from the Internet: <<https://www.amazon.com/ZVEDeng-Horizontal-Reinforced-Kickstand-Shockproof/dp/B01F72G23E/>>.

\* cited by examiner



*Fig. 1*

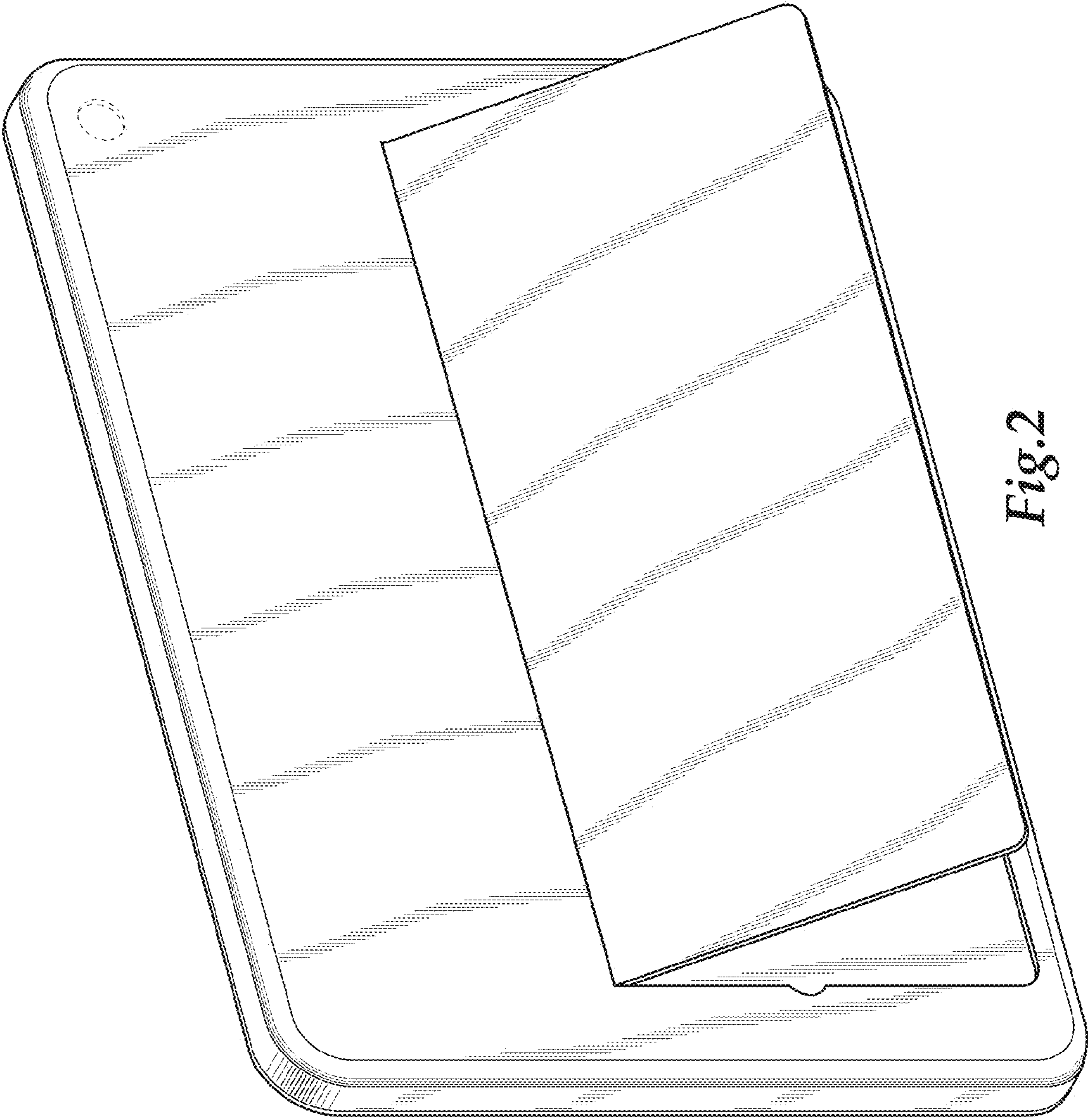
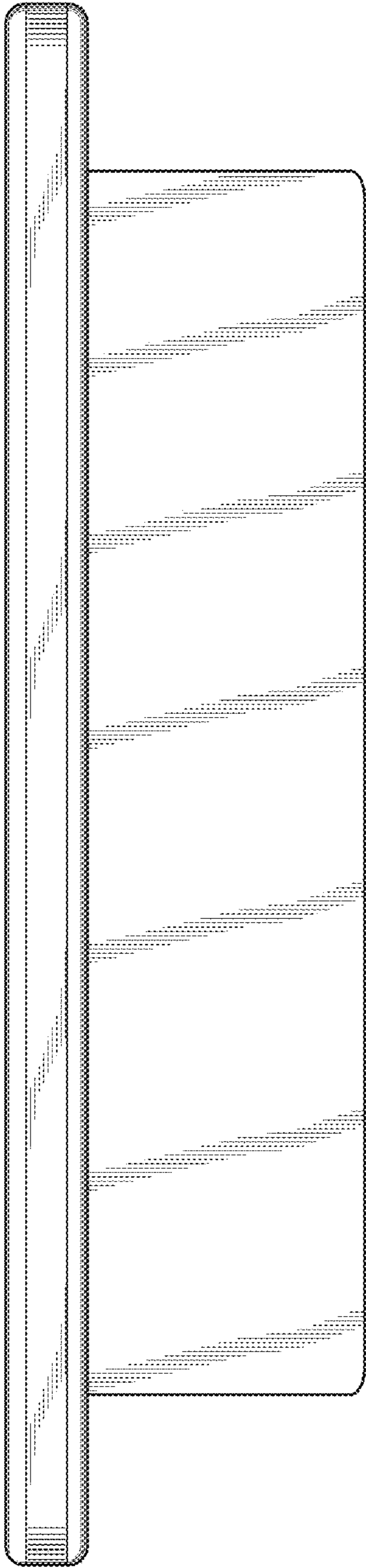
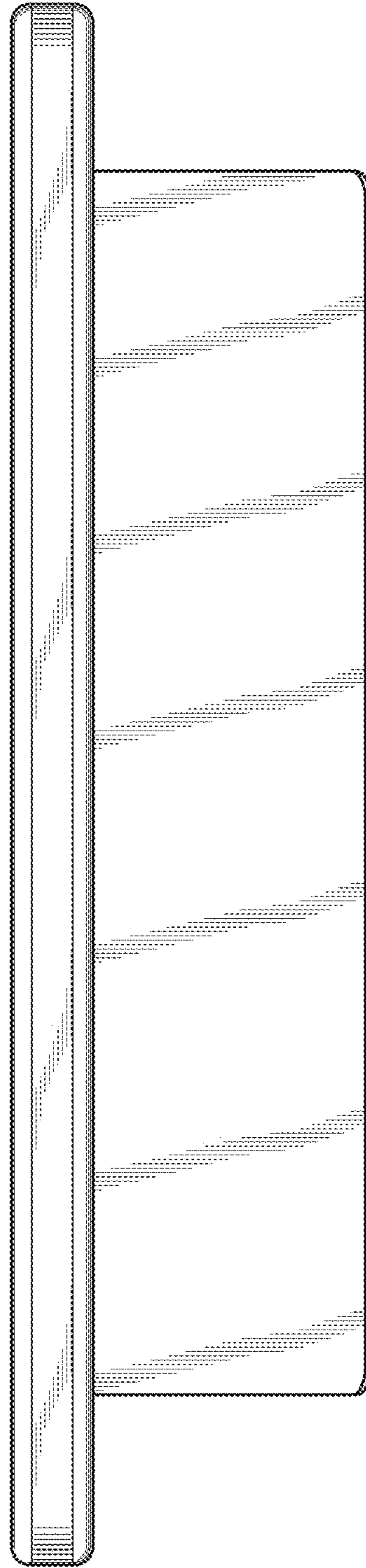


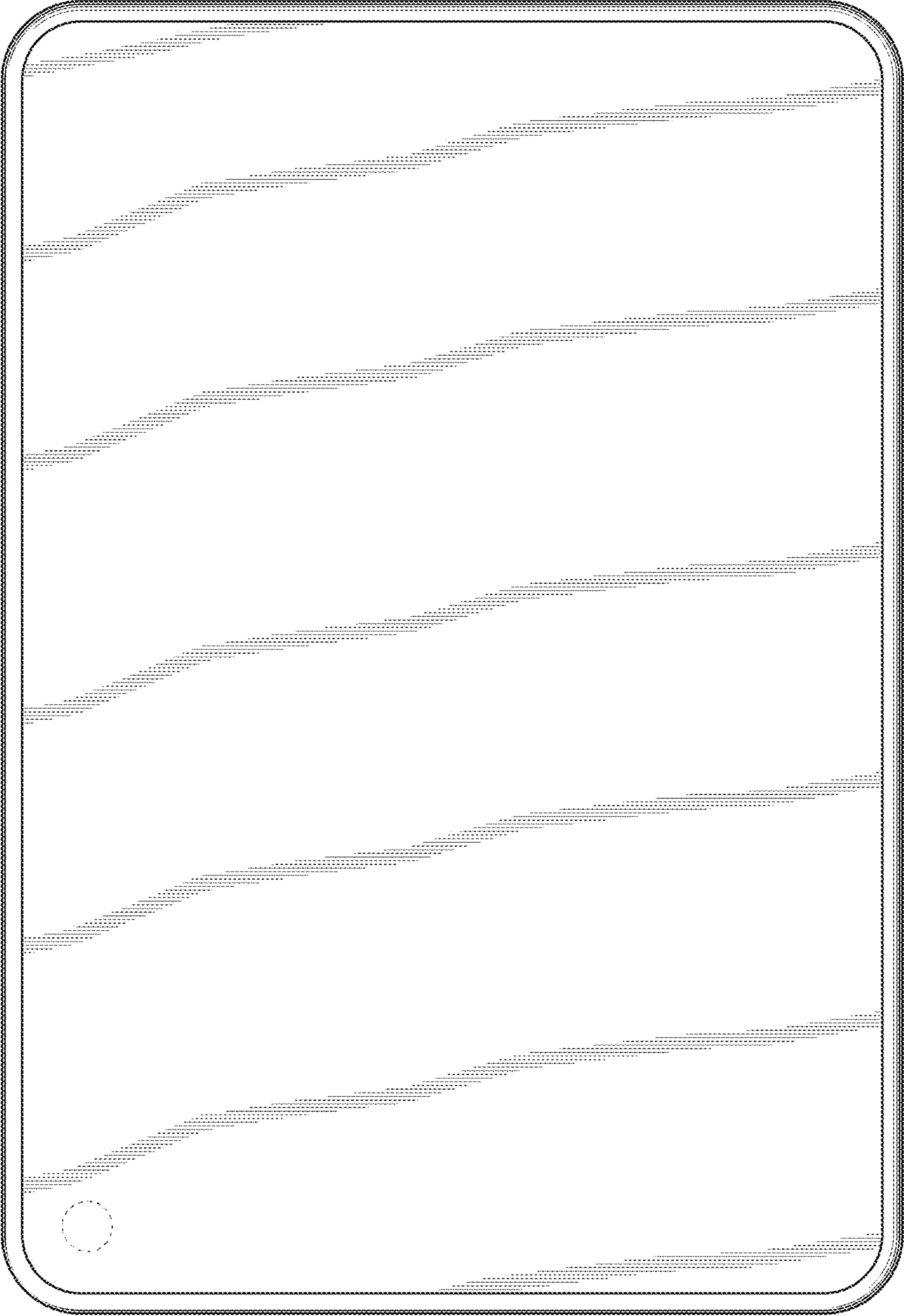
Fig. 2



*Fig. 3*



*Fig. 4*



*Fig. 5*

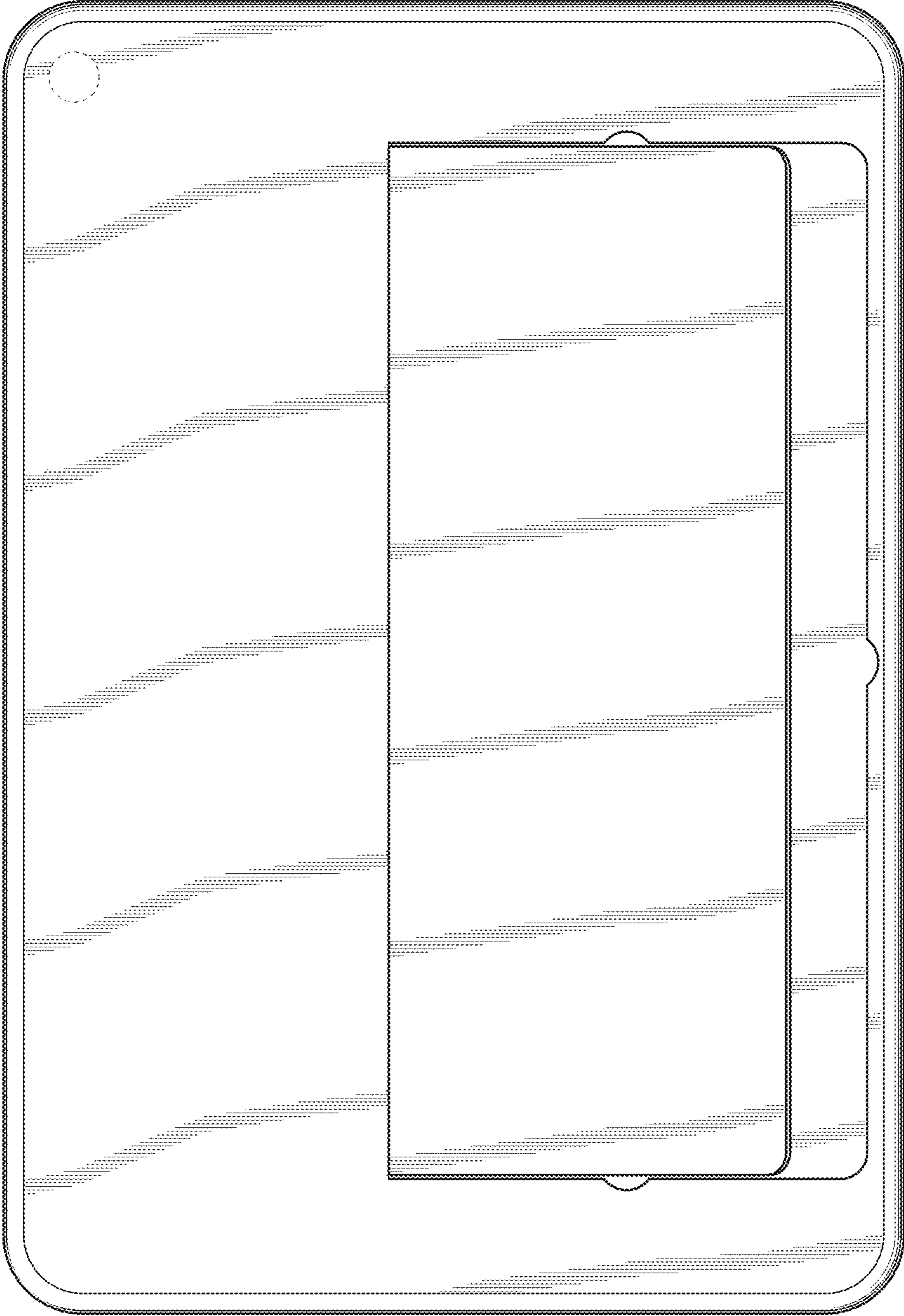


Fig. 6

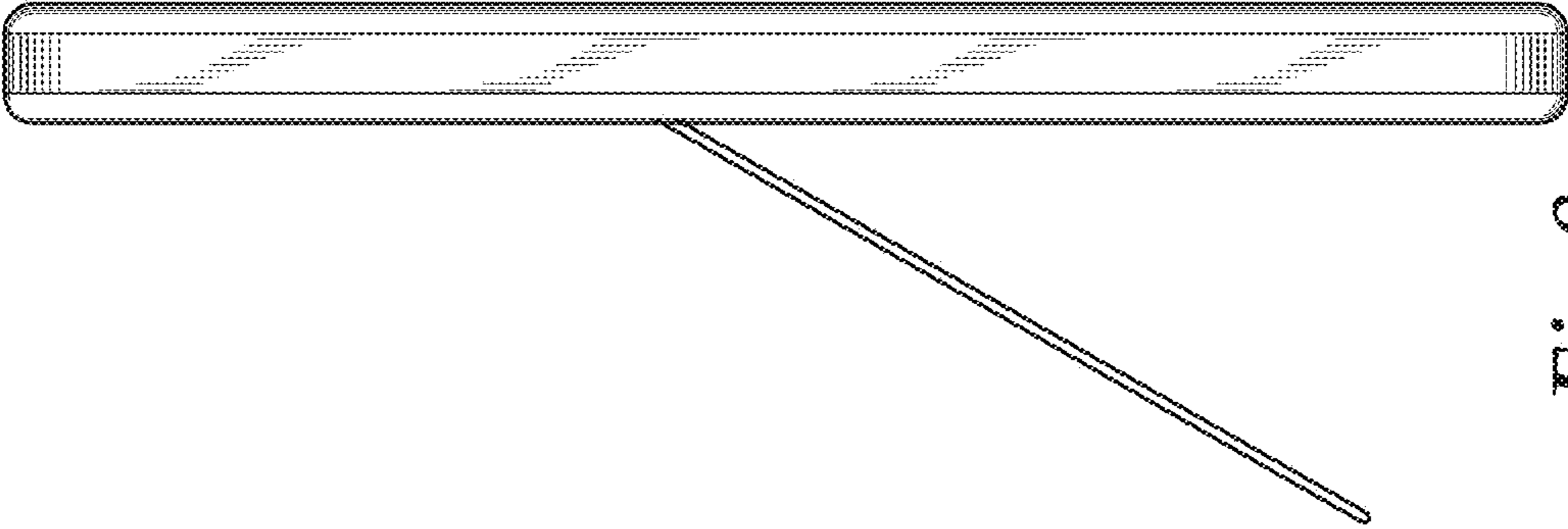


Fig. 8

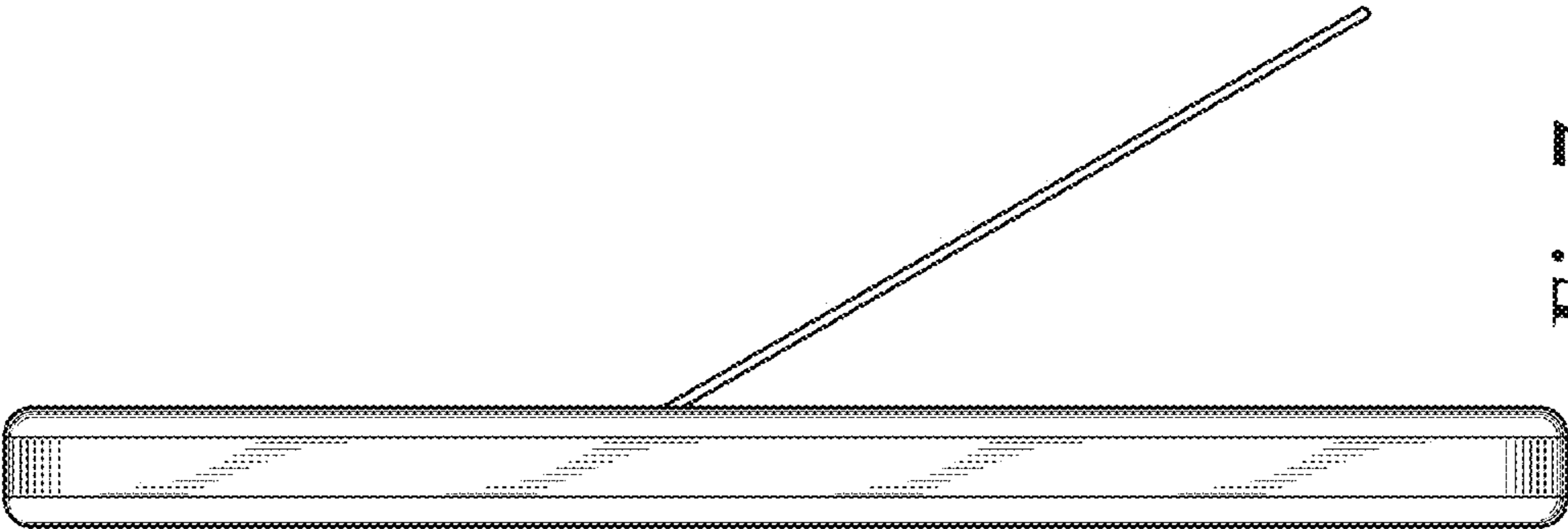


Fig. 7