



US0D1040137S

(12) **United States Design Patent**  
**Ghormley**

(10) **Patent No.:** **US D1,040,137 S**

(45) **Date of Patent:** **\*\* Aug. 27, 2024**

(54) **EARBUD**

(71) Applicant: **James Ghormley**, Arlington, TX (US)

(72) Inventor: **James Ghormley**, Arlington, TX (US)

(\*\*) Term: **15 Years**

(21) Appl. No.: **29/808,898**

(22) Filed: **Sep. 23, 2021**

(51) **LOC (14) Cl.** ..... **14-01**

(52) **U.S. Cl.**

USPC ..... **D14/223**

(58) **Field of Classification Search**

USPC ..... D14/223; D24/106, 174; 128/864–866;  
381/380–381, 328, 312, 322, 74

CPC ..... H04R 1/10; H04R 25/00; H04R 25/02;  
H04R 1/1066; H04R 1/1016; H04R  
5/033; H04R 5/0335; H04R 1/1083;  
H04R 1/1041; A61F 11/06; A61F 11/08

See application file for complete search history.

(56) **References Cited**

**U.S. PATENT DOCUMENTS**

2,430,229	A *	11/1947	Kelsey	.....	H04R 25/656 381/313
2,487,038	A *	11/1949	Baum	.....	H04R 1/1016 181/135
D298,356	S *	11/1988	Falco	.....	D24/106
D354,568	S *	1/1995	Araki	.....	D24/174
D455,835	S *	4/2002	Anderson	.....	D24/174
6,688,421	B2 *	2/2004	Dyer	.....	H04R 25/652 381/328
6,940,988	B1 *	9/2005	Shennib	.....	H04R 25/656 381/328
D596,295	S *	7/2009	Hedstrom	.....	D24/174
D597,084	S *	7/2009	Gondo	.....	D14/223
8,201,561	B2 *	6/2012	Blanchard	.....	A61F 11/08 181/134
D666,580	S *	9/2012	Lee	.....	D14/223
8,467,556	B2 *	6/2013	Shennib	.....	H04R 25/656 381/328

D690,819	S *	10/2013	Svensson	.....	D24/174
8,983,108	B2 *	3/2015	Ho	.....	H04R 1/1058 381/328
D728,107	S *	4/2015	Torres Martin	.....	D24/174
D764,445	S *	8/2016	Czaniecki	.....	D14/223
D801,950	S *	11/2017	Otani	.....	D14/223
D816,637	S *	5/2018	Hardi	.....	D14/223
D817,309	S *	5/2018	Czaniecki	.....	D14/223
D822,646	S *	7/2018	Dang	.....	D14/223
D841,626	S *	2/2019	Tang	.....	D14/223
D846,532	S *	4/2019	Xiao	.....	D14/223

(Continued)

**FOREIGN PATENT DOCUMENTS**

IN 355090-001-0001 \* 12/2021

*Primary Examiner* — Paula Allen Greene

(74) *Attorney, Agent, or Firm* — Law Office of Jeff Williams PLLC; J. Oliver Williams

(57) **CLAIM**

The ornamental design for an earbud, as shown and described.

**DESCRIPTION**

FIG. 1 is an oblique view of an earbud showing the new design;

FIG. 2 is a front view of the earbud of FIG. 1.

FIG. 3 is a rear view of the earbud of FIG. 1.

FIG. 4 is a right view of the earbud of FIG. 1.

FIG. 5 is a left view of the earbud of FIG. 1.

FIG. 6 is a top view of the earbud of FIG. 1.

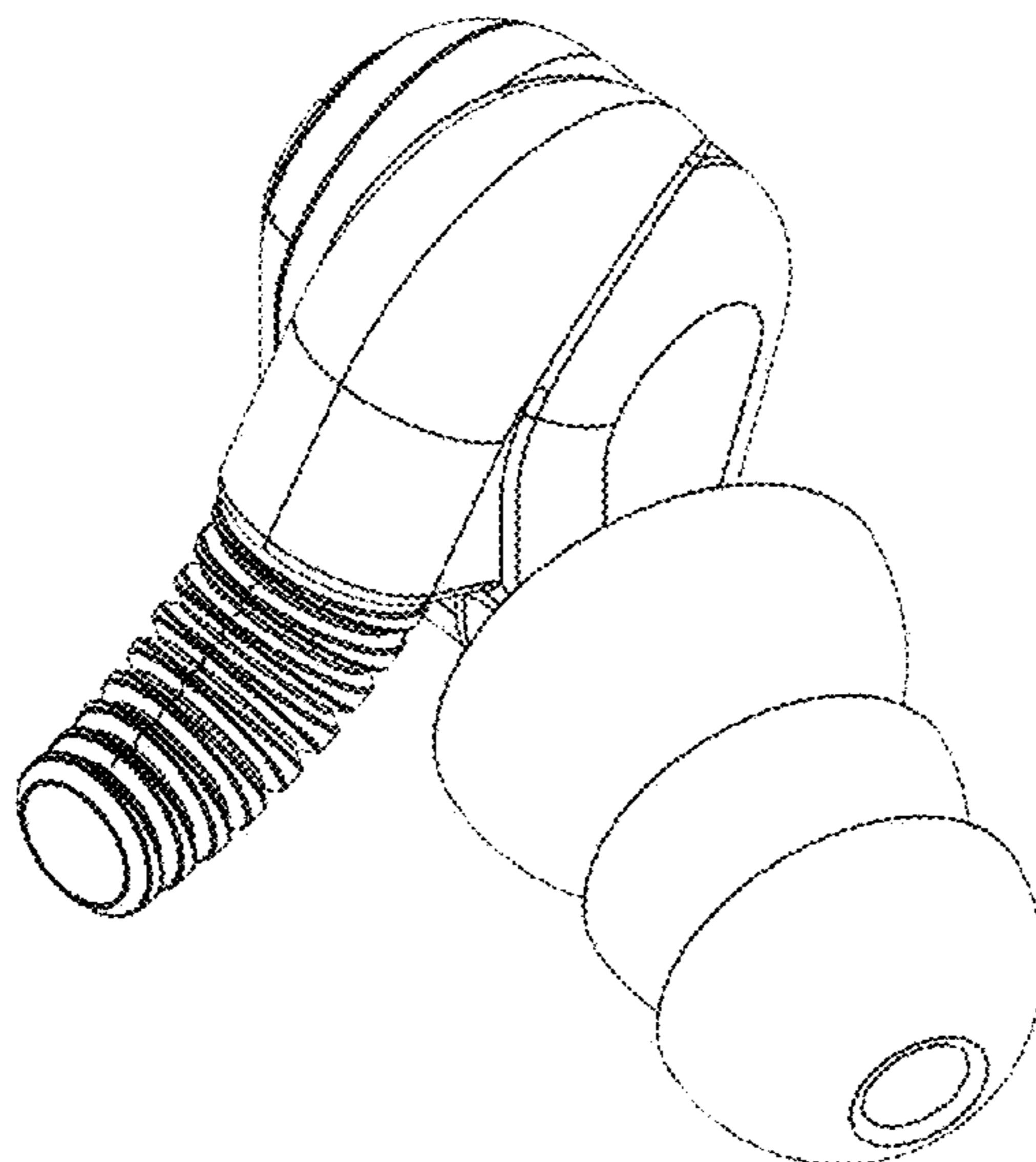
FIG. 7 is a bottom view of the earbud of FIG. 1.

FIG. 8 is an exploded view of the earbud of FIG. 1; and,

FIG. 9 is an alternative exploded view of the earbud of FIG. 1.

The appearance of any portions of the article between the disassembled or exploded portion of the earbud form no part of the claimed design.

**1 Claim, 9 Drawing Sheets**



(56)

**References Cited**

## U.S. PATENT DOCUMENTS

10,542,341	B2 *	1/2020	Higgins	.....	H04R 25/60
D877,720	S *	3/2020	Madramotoo	.....	D14/223
D883,420	S *	5/2020	Green	.....	D22/108
10,692,482	B2 *	6/2020	Zhu	.....	G10K 11/17815
10,715,905	B2 *	7/2020	Wen	.....	G10K 11/17853
D896,205	S *	9/2020	Zhang	.....	D14/223
D984,983	S *	5/2023	Hu	.....	D14/223
11,678,126	B1 *	6/2023	Venkatakrishnan	...	H04R 31/00 381/328
D991,915	S *	7/2023	Li	.....	D14/223
D993,418	S *	7/2023	Dittrich	.....	D24/174
D997,918	S *	9/2023	Allen	.....	D14/223
2009/0304220	A1 *	12/2009	Fujikura	.....	H04R 1/1091 381/380
2012/0257774	A1 *	10/2012	Larsen	.....	H04R 25/656 381/328
2016/0066110	A1 *	3/2016	Shennib	.....	H04R 25/652 381/328
2017/0026738	A1 *	1/2017	Tang	.....	H04R 1/1091
2017/0094386	A1 *	3/2017	Trainer	.....	H04R 1/1016
2019/0201245	A1 *	7/2019	Albean	.....	H04R 1/1016

\* cited by examiner

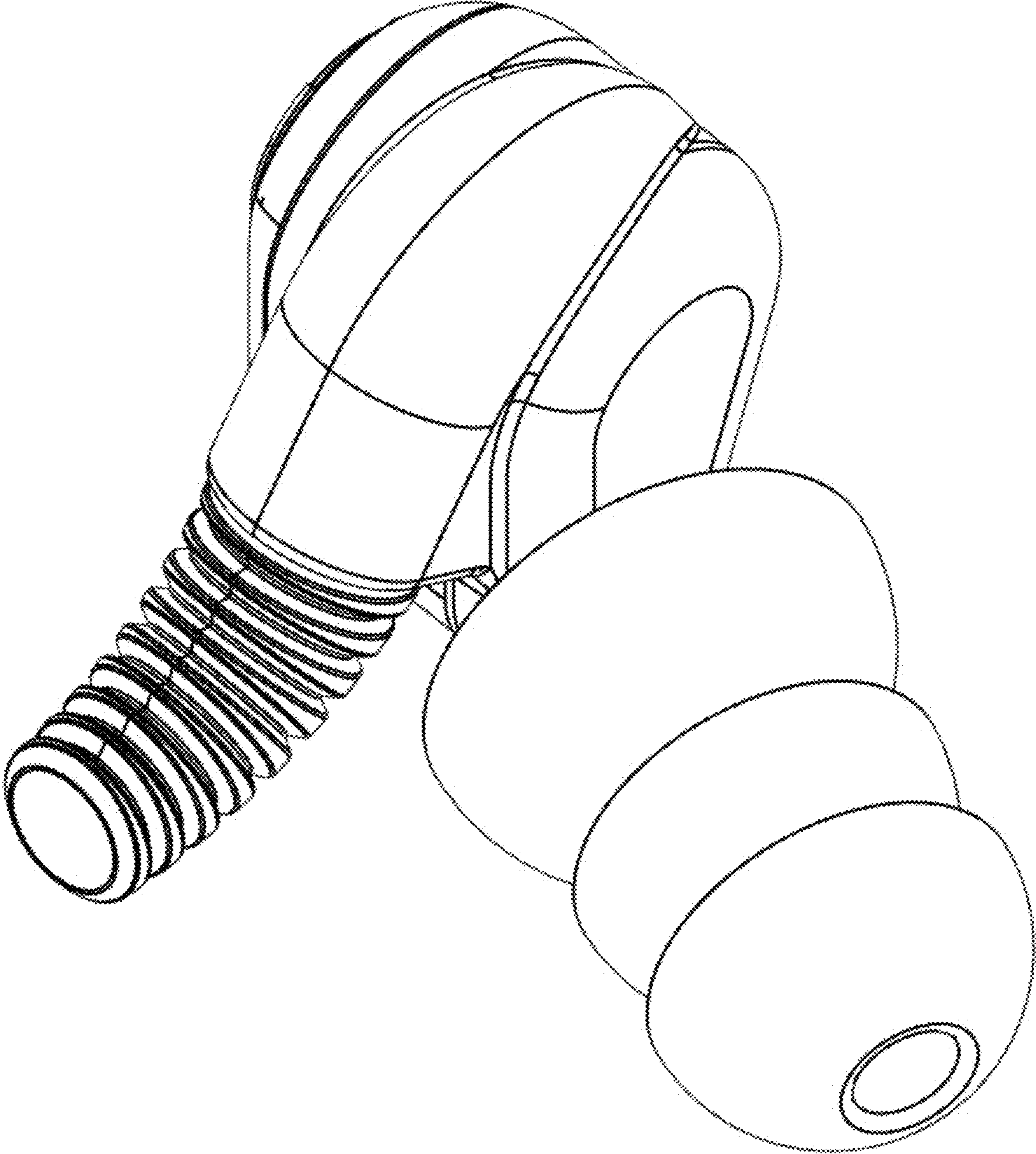


FIG. 1

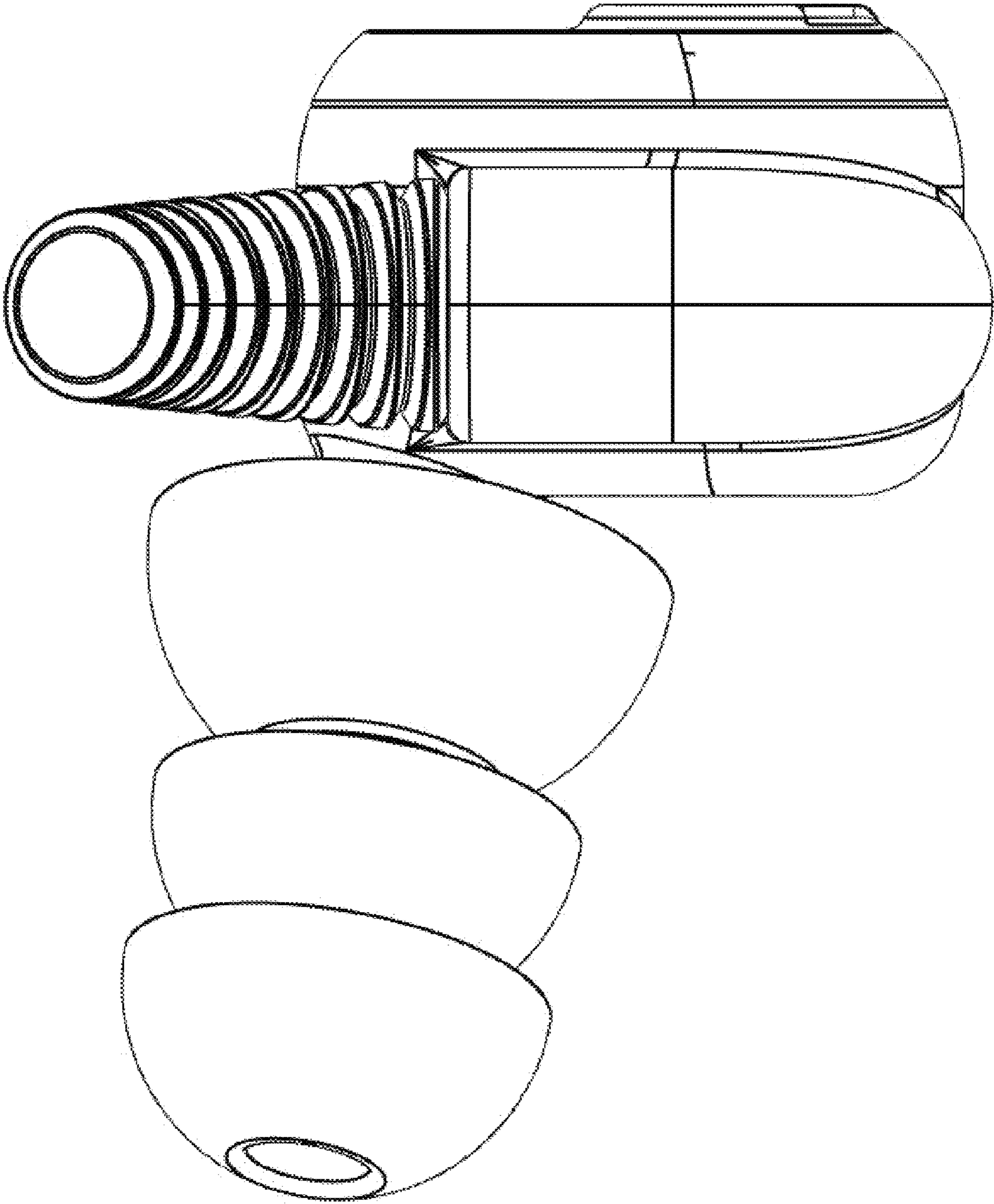


FIG. 2

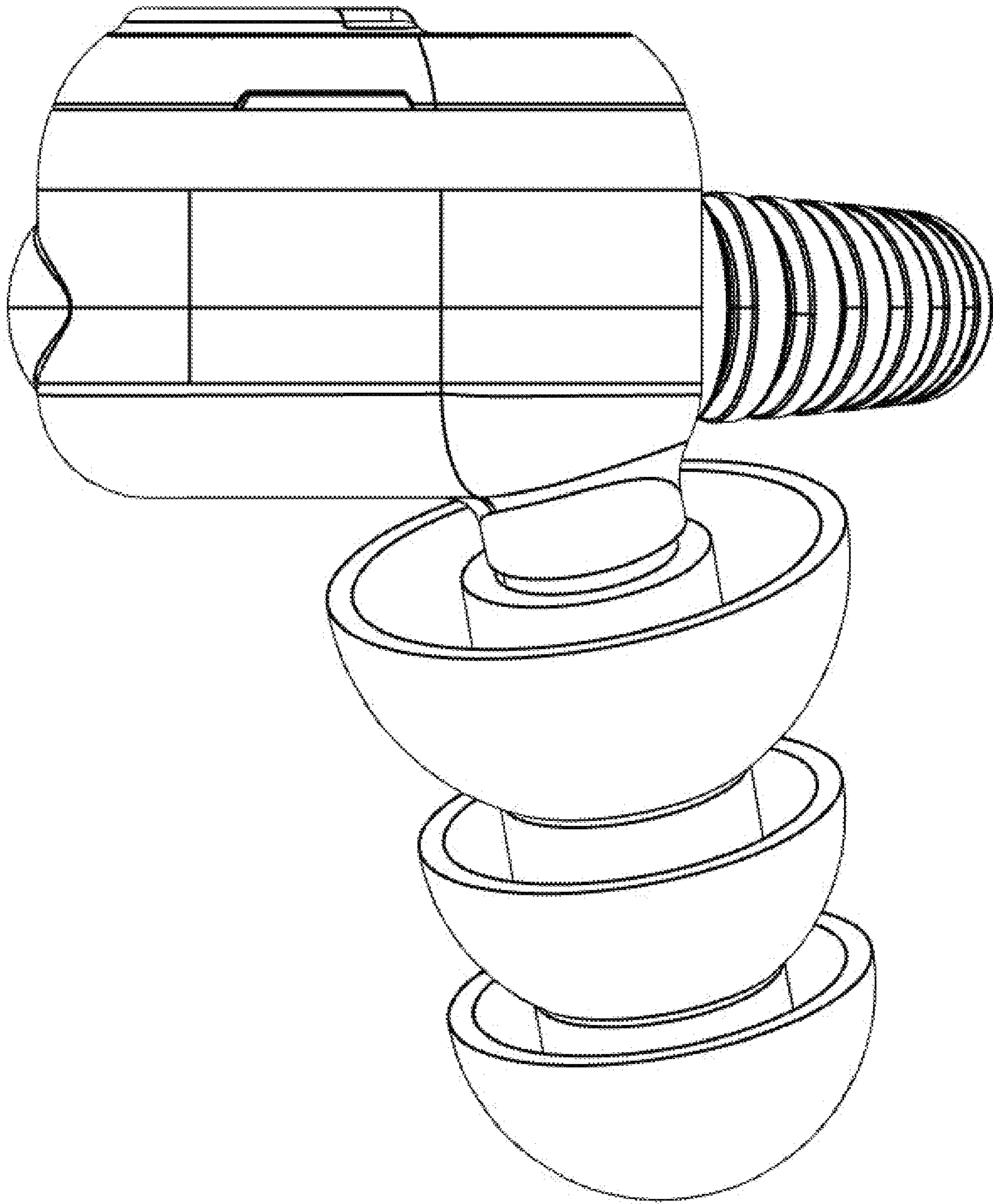


FIG. 3

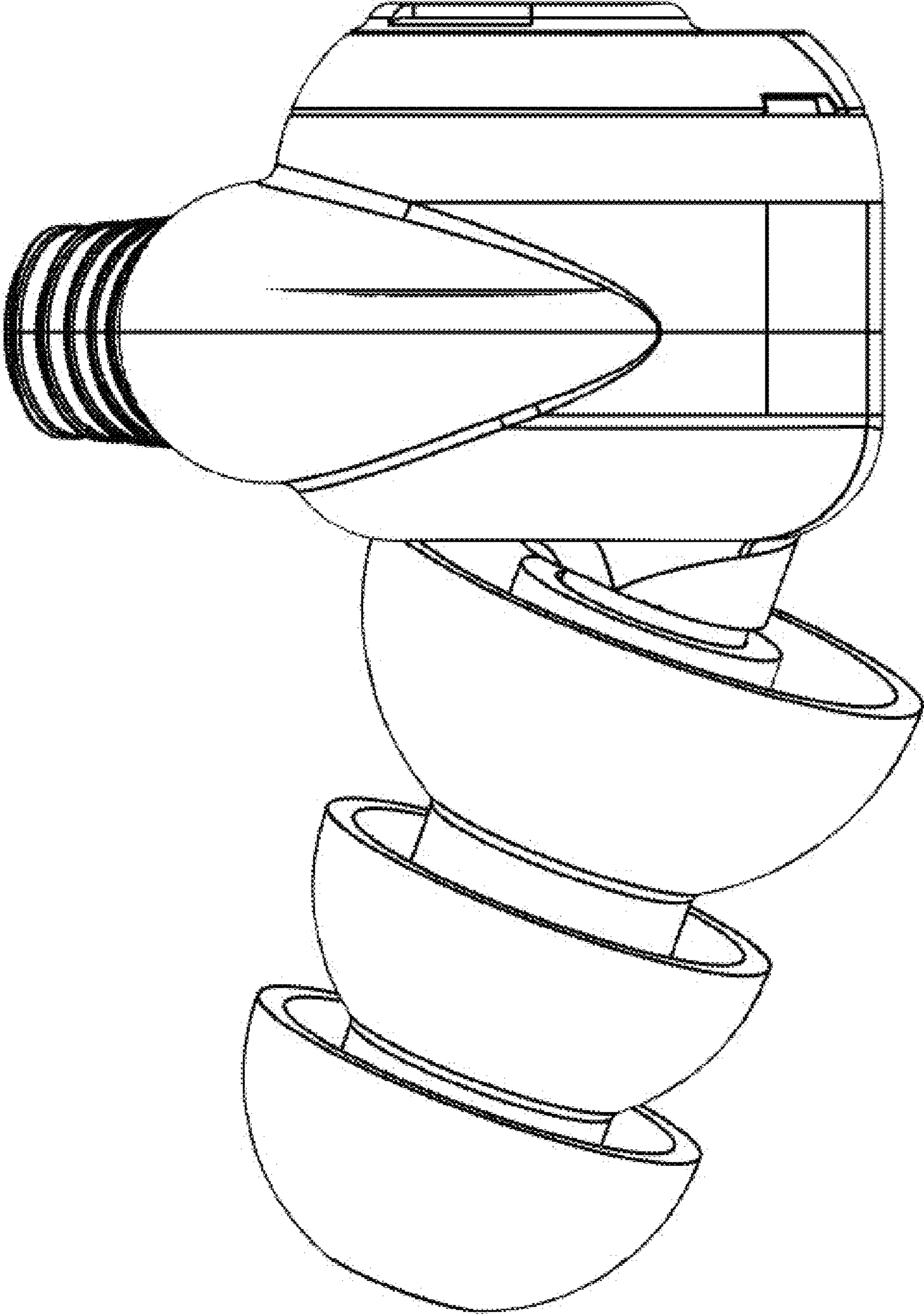


FIG. 4

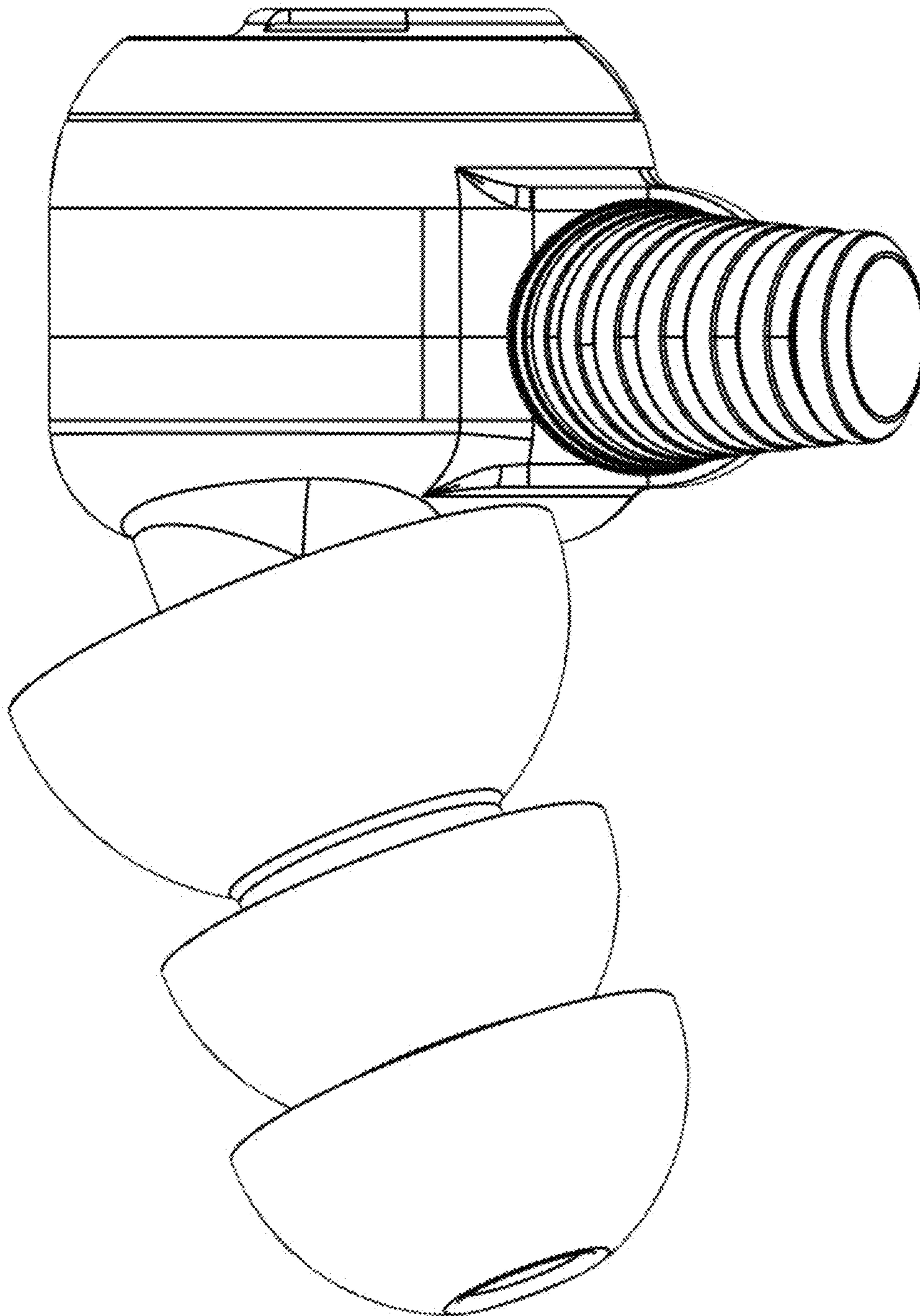


FIG. 5

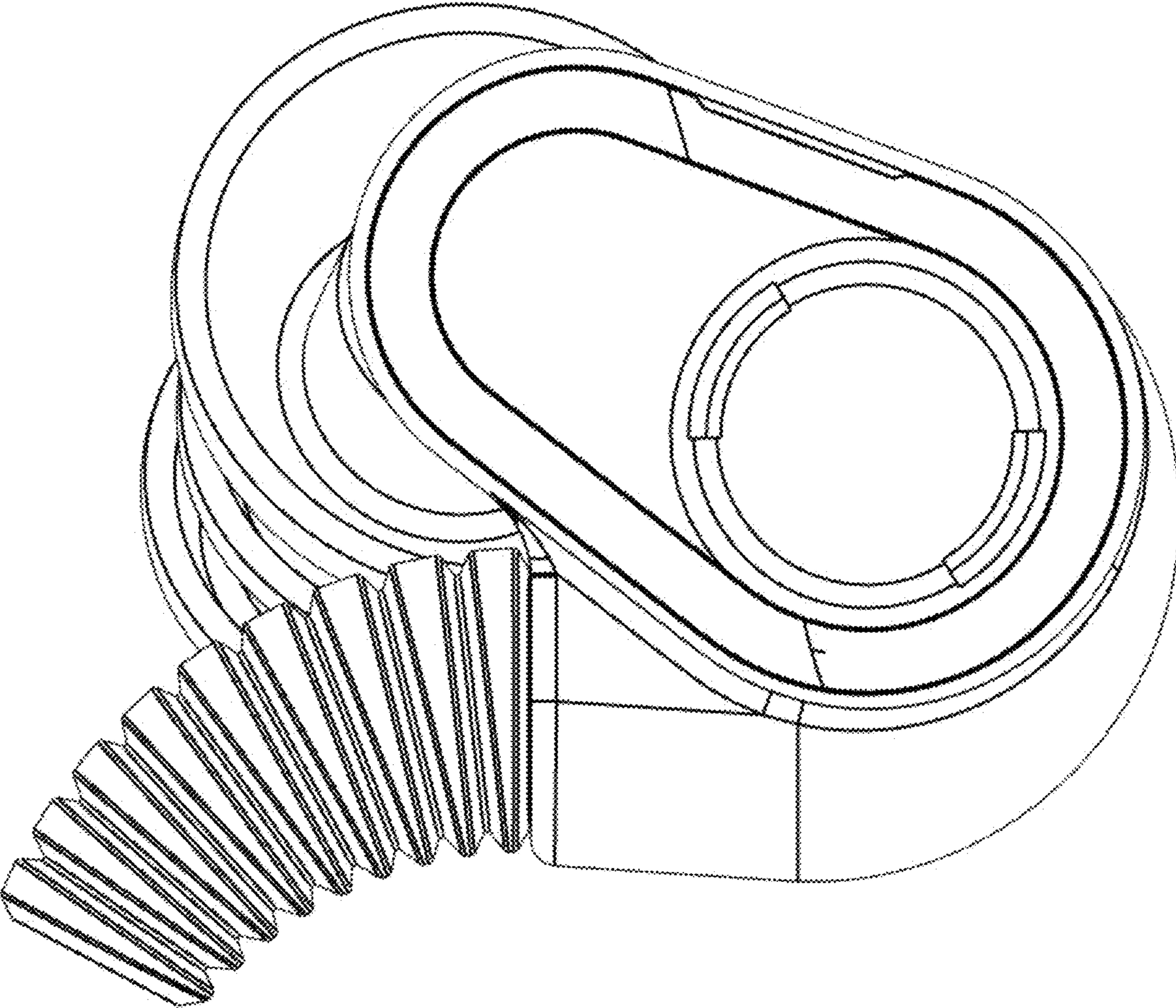


FIG. 6



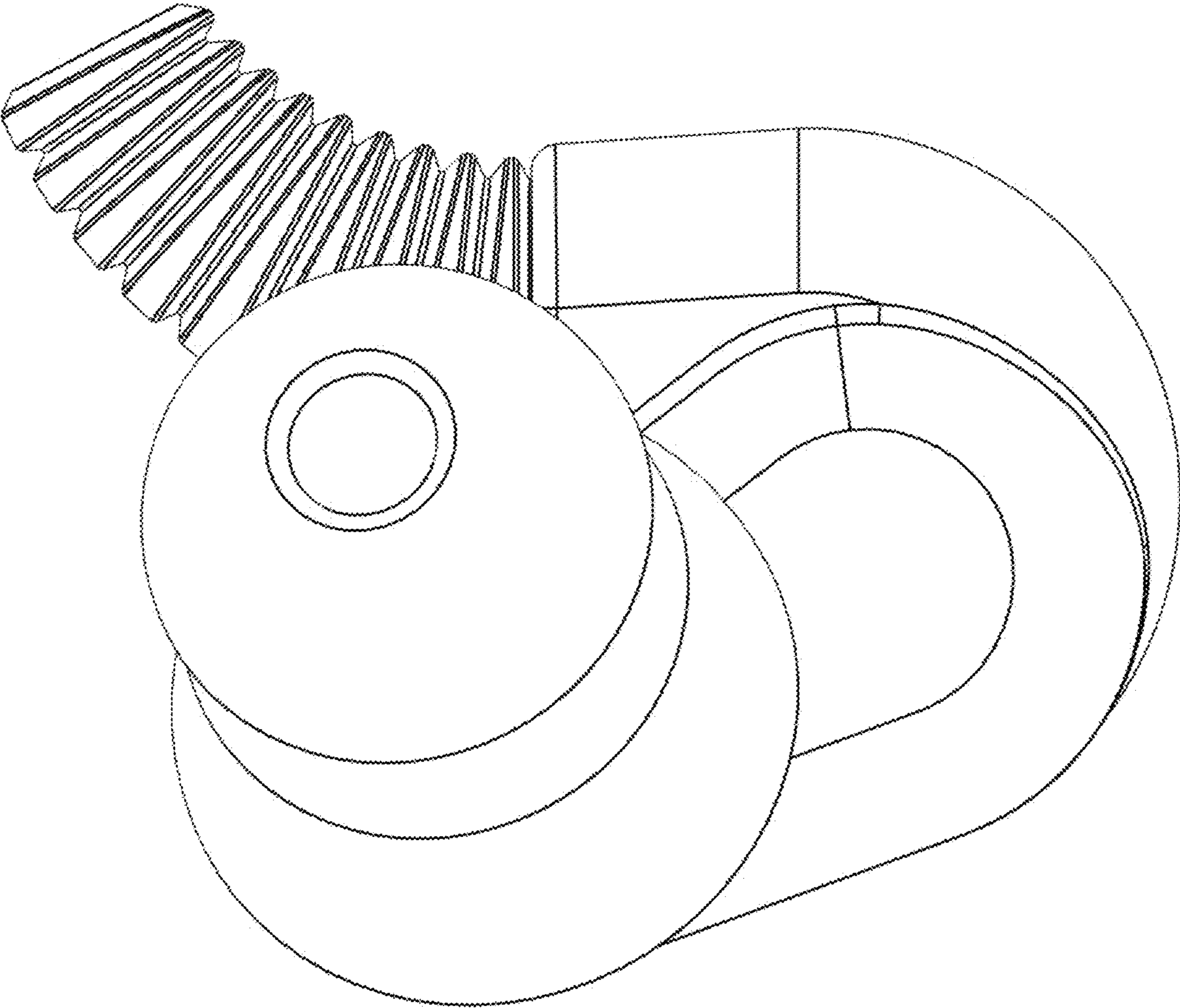


FIG. 7

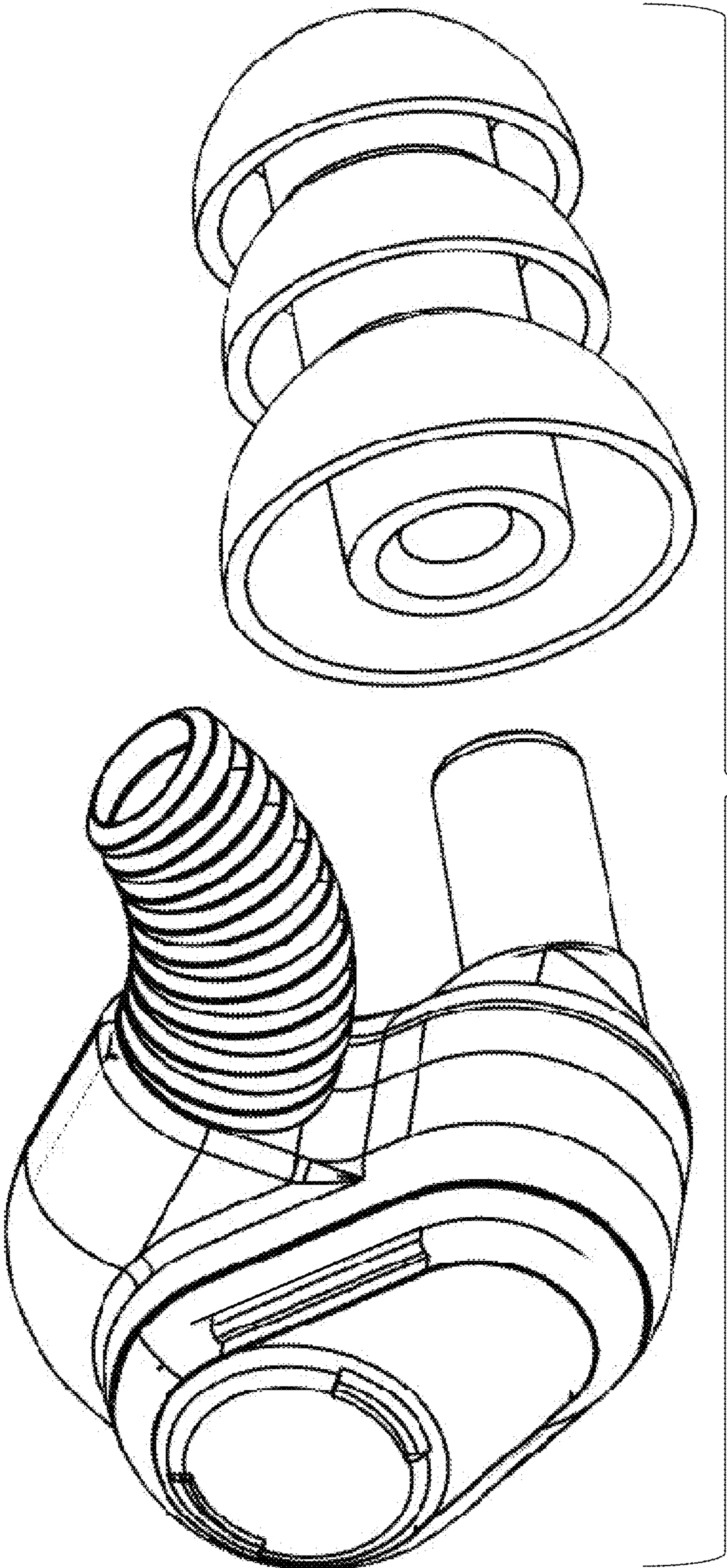


FIG. 8

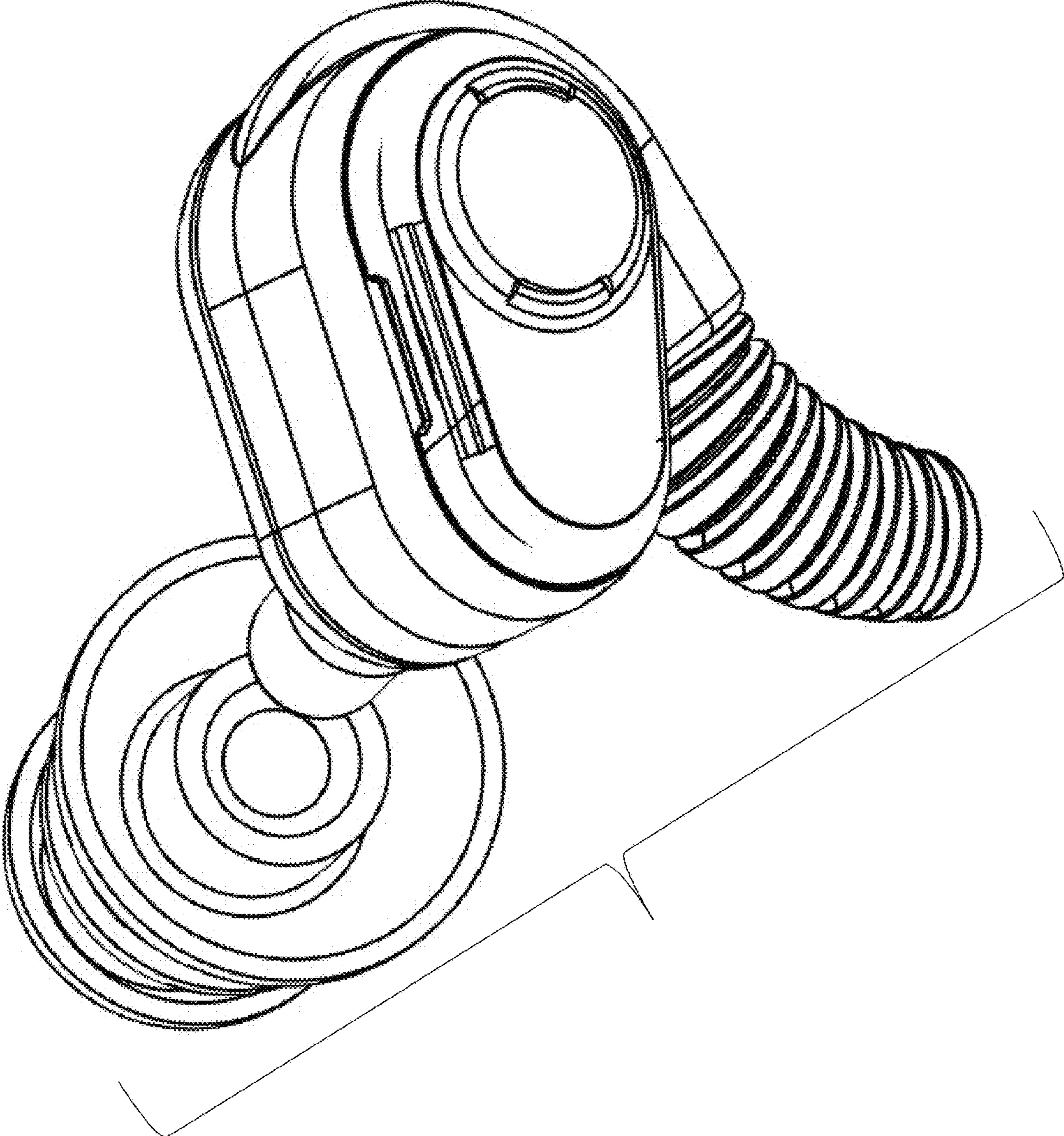


FIG. 9