



US0D1040034S

(12) **United States Design Patent**  
**Lockridge**

(10) **Patent No.:** **US D1,040,034 S**

(45) **Date of Patent:** **\*\* Aug. 27, 2024**

(54) **SURVIVAL STRETCHER**

(71) Applicant: **Margaret Ann Lockridge**, Rancho  
Mirage, CA (US)

(72) Inventor: **Margaret Ann Lockridge**, Rancho  
Mirage, CA (US)

(\*\*) Term: **15 Years**

(21) Appl. No.: **29/911,247**

(22) Filed: **Aug. 30, 2023**

**Related U.S. Application Data**

(63) Continuation-in-part of application No. 18/345,325,  
filed on Jun. 30, 2023.

(51) **LOC (14) Cl.** ..... **12-12**

(52) **U.S. Cl.**  
USPC ..... **D12/132**

(58) **Field of Classification Search**  
USPC ..... D12/128, 132, 133  
CPC . A61G 1/04; A61G 1/00; A61G 1/044; A61G  
1/048; A61G 1/0212; A61G 1/003; A61G  
1/0237; A61G 1/0231; A61G 1/0262;  
A61G 1/052; A61G 1/0562; A61G  
1/0567; A61G 7/0504; A61G 7/103;  
A61G 7/1046

See application file for complete search history.

(56) **References Cited**

**U.S. PATENT DOCUMENTS**

D301,021 S *	5/1989	Dommerud	.....	D12/128
D309,589 S *	7/1990	Hare	.....	D12/132
D312,992 S *	12/1990	Liebman	.....	D12/132
D325,893 S *	5/1992	Schuster	.....	D12/128
D589,849 S *	4/2009	Powell	.....	D12/128
D608,253 S *	1/2010	Giduck	.....	D3/315

D617,691 S *	6/2010	Smart	.....	D12/128
D699,158 S *	2/2014	Calkin	.....	D12/132
D712,796 S *	9/2014	Calkin	.....	D12/128
D719,881 S *	12/2014	Smart	.....	D12/128
D732,438 S *	6/2015	Smart	.....	D12/128
D772,761 S *	11/2016	Rugfelt	.....	D12/128
D781,187 S *	3/2017	Calkin	.....	D12/128
9,861,539 B1	1/2018	Stickler et al.		
D826,793 S *	8/2018	Smart	.....	D12/128
D828,236 S *	9/2018	Rugfelt	.....	D12/128
D849,605 S *	5/2019	Smart	.....	D12/128
10,285,888 B2	5/2019	Liu		
2010/0299837 A1	12/2010	Yandle		
2015/0283007 A1	10/2015	Carlson		

**OTHER PUBLICATIONS**

MFCInternational, Inflatable Stretcher. Retrieved From Internet,  
Retrieved on Jun. 30, 2023, <URL: <https://www.mfc-international.com/home/products/water-rescue/inflatable-stretcher>>.

\* cited by examiner

*Primary Examiner* — Charles D Hanson

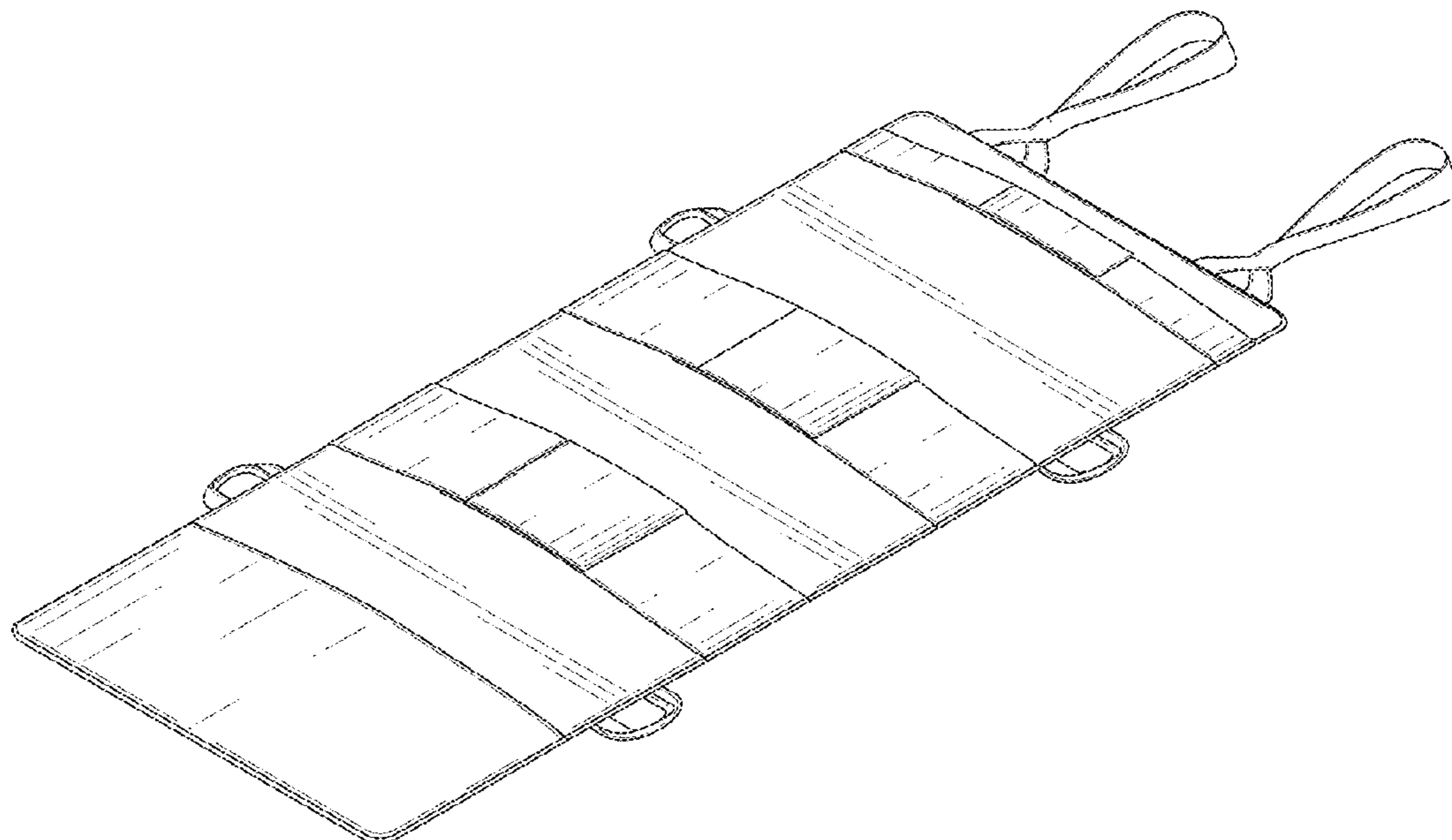
(57) **CLAIM**

The ornamental design for a survival stretcher, as shown and described.

**DESCRIPTION**

FIG. 1 is a top-front-left perspective view of a survival stretcher showing my new design;  
FIG. 2 is a bottom-rear-right perspective view thereof;  
FIG. 3 is an enlarged front elevational view thereof;  
FIG. 4 is an enlarged rear elevational view thereof;  
FIG. 5 is a top plan view thereof;  
FIG. 6 is a bottom plan view thereof;  
FIG. 7 is a right elevational view thereof; and,  
FIG. 8 is a left elevational view thereof.

**1 Claim, 8 Drawing Sheets**



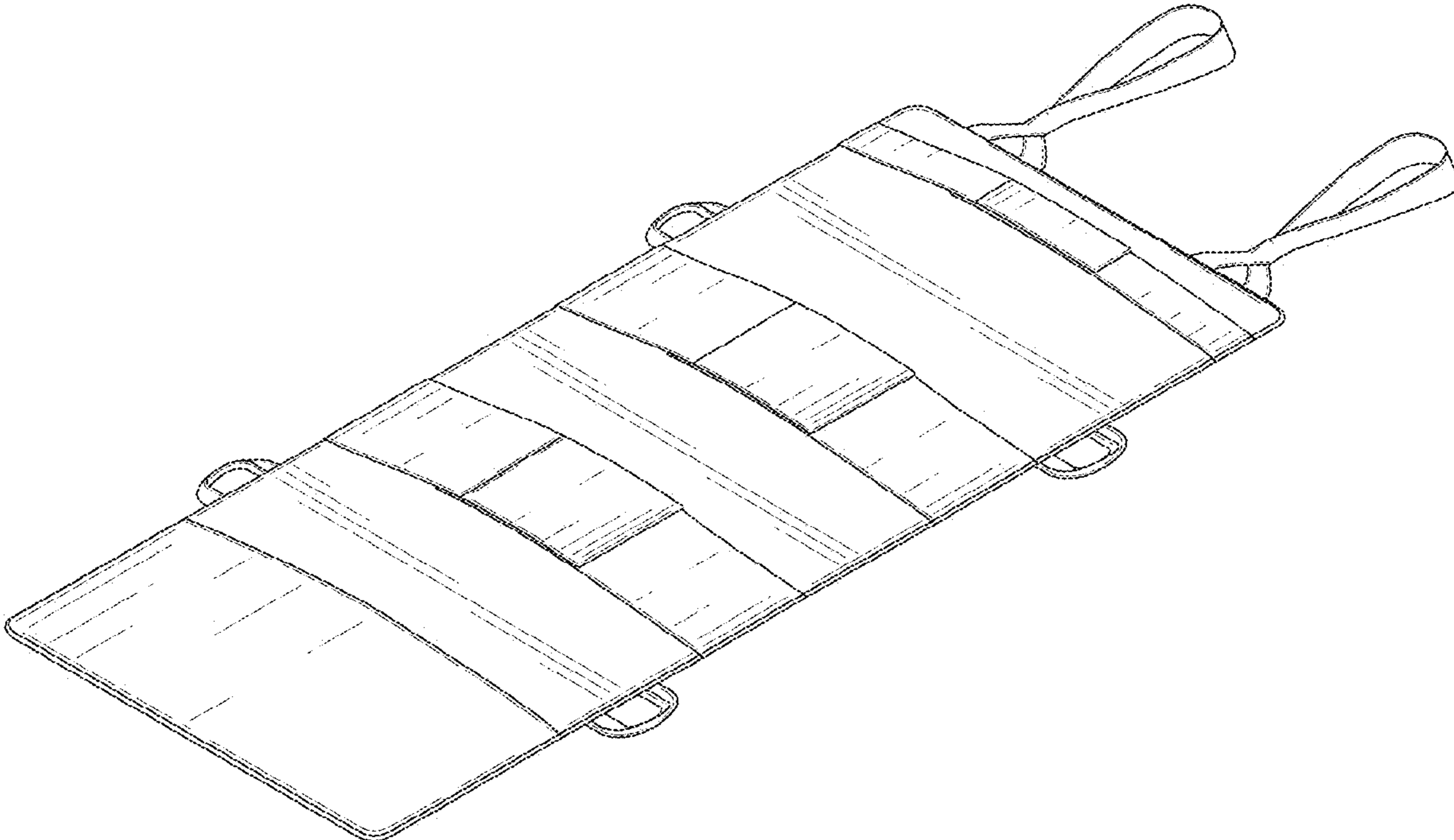


FIG. 1

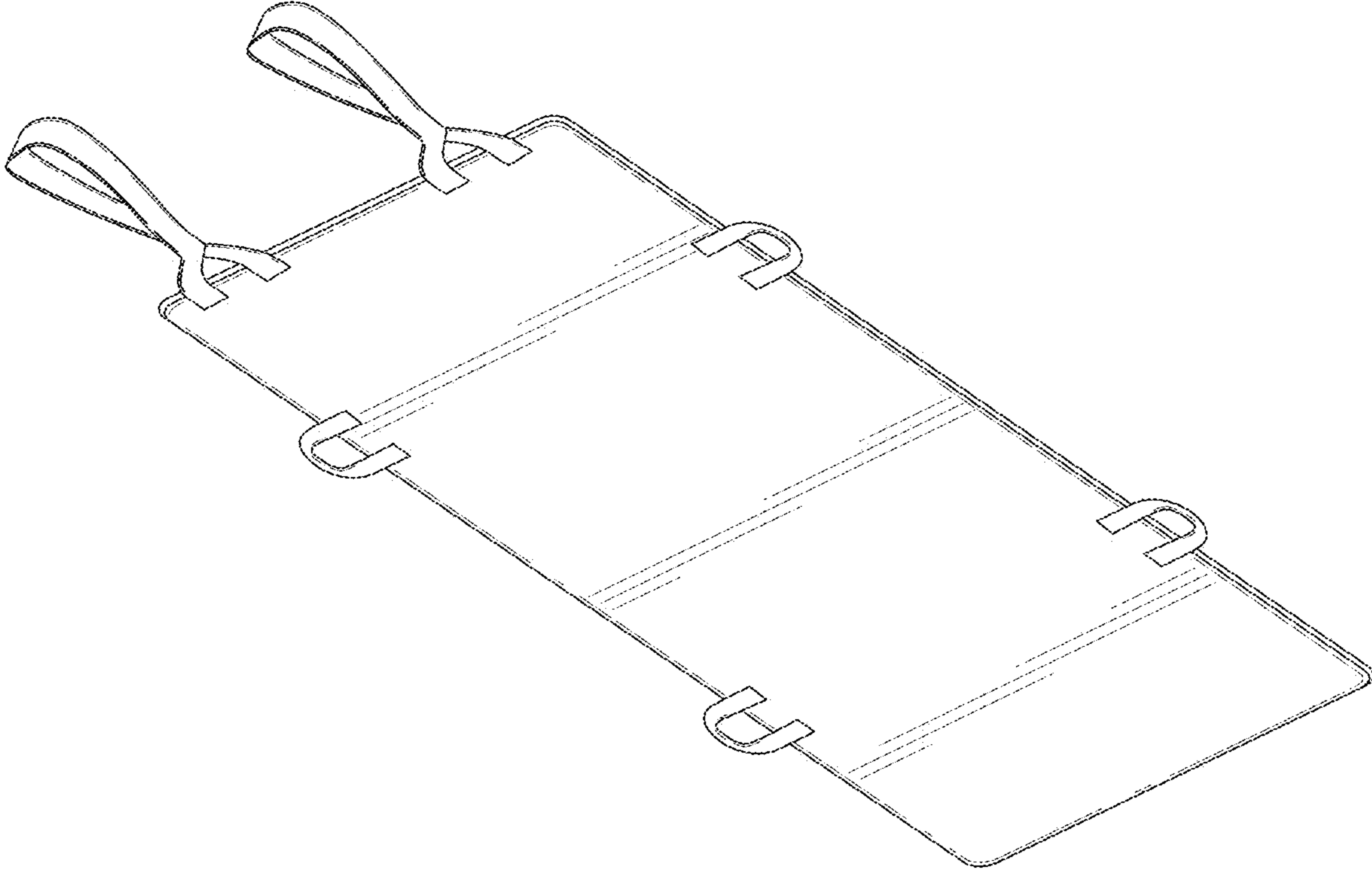


FIG. 2

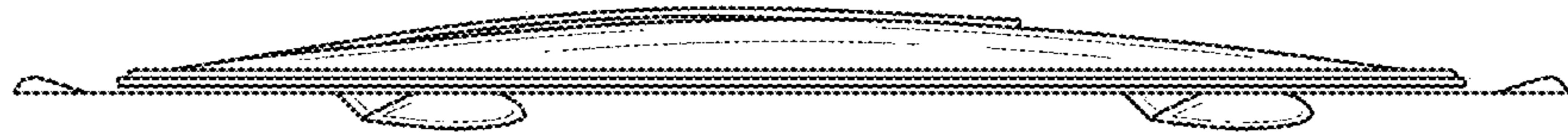


FIG. 3

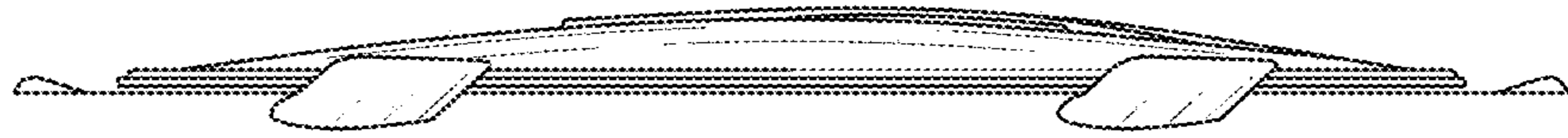


FIG. 4

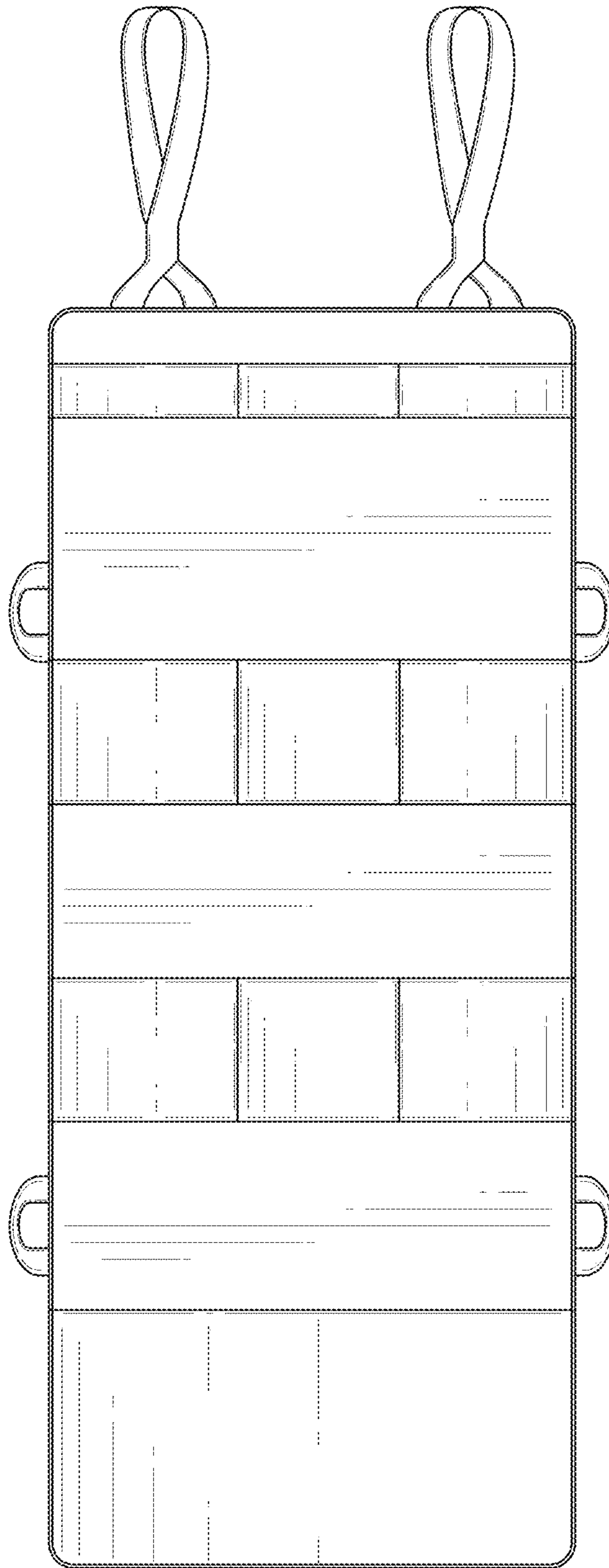


FIG. 5

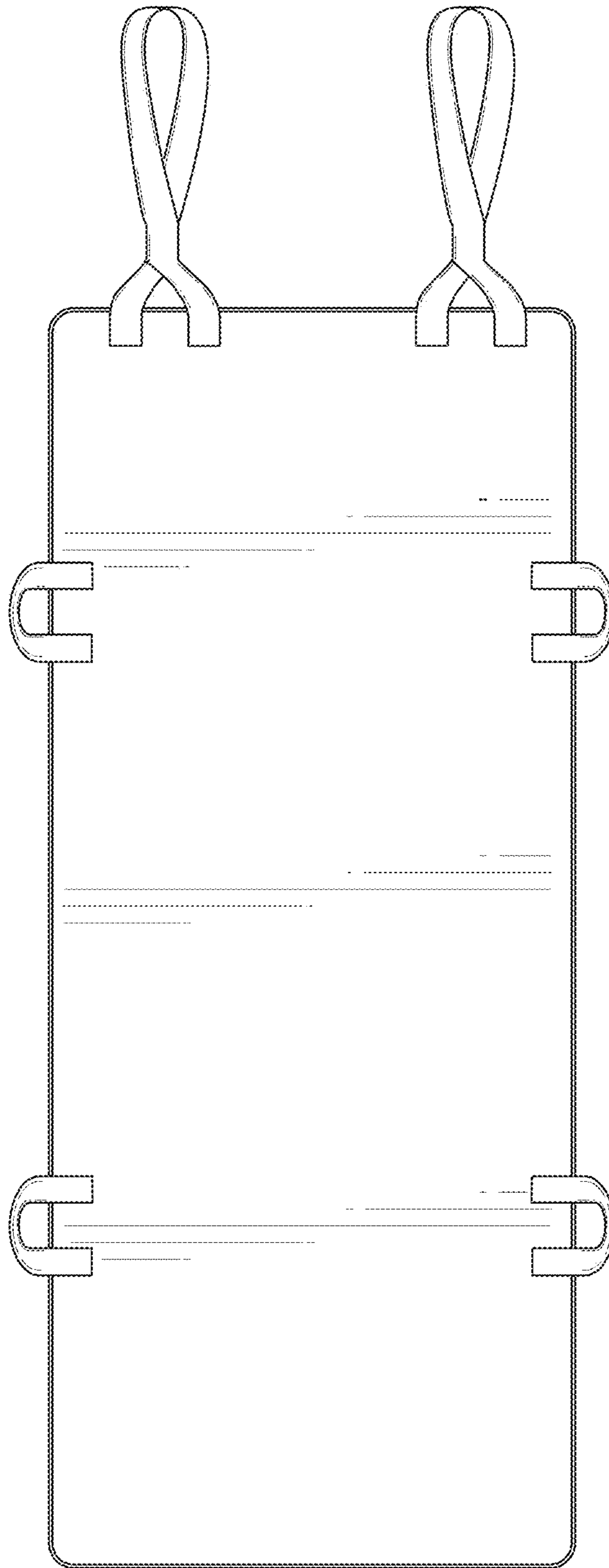


FIG. 6

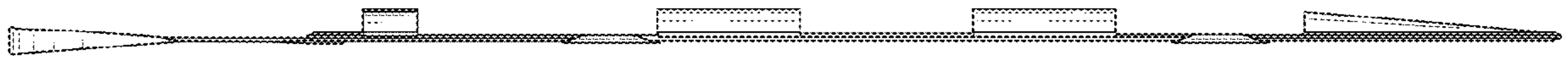


FIG. 7



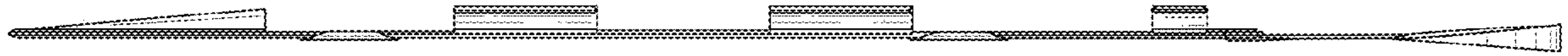


FIG. 8