



US0D1039959S

(12) **United States Design Patent** (10) **Patent No.:** **US D1,039,959 S**
Barry et al. (45) **Date of Patent:** **** Aug. 27, 2024**

- (54) **NUT RETAINER**
- (71) Applicant: **SEAKEEPER, INC.**, California, MD (US)
- (72) Inventors: **Robert Barry**, Port Murray, NJ (US); **Brian Steele**, Centreville, MD (US)
- (73) Assignee: **Seakeeper, Inc.**, Orlando, MD (US)
- (**) Term: **15 Years**
- (21) Appl. No.: **29/847,911**
- (22) Filed: **Jul. 28, 2022**
- (51) **LOC (14) Cl.** **08-08**
- (52) **U.S. Cl.**
USPC **D8/394**
- (58) **Field of Classification Search**
USPC D8/394, 396, 395, 399, 397
CPC ... F16B 37/043; F16B 37/044; Y10S 411/965
See application file for complete search history.

- D891,241 S * 7/2020 Buczynski D8/395
- D904,865 S * 12/2020 Buczynski D8/397
- D988,859 S * 6/2023 Milner D8/394
- 2016/0169265 A1 * 6/2016 Edwards F16B 37/044
411/511
- 2020/0124079 A1 * 4/2020 Stewart F16B 37/044
(Continued)

FOREIGN PATENT DOCUMENTS

CN 308184368 * 8/2023

OTHER PUBLICATIONS

Grainger, Cage Nuts & Spring Nuts, [no date avial] searched Mar. 4, 2024, <https://www.grainger.com/category/fasteners/nuts/cage-nuts-spring-nuts?analytics=PLAPDP> (Year: 2024).*

Primary Examiner — Jennifer L Rempfer
Assistant Examiner — Olivia H Aldin
(74) *Attorney, Agent, or Firm* — Vedder Price P.C.

(57) **CLAIM**

The ornamental design for a nut retainer, as shown and described herein.

DESCRIPTION

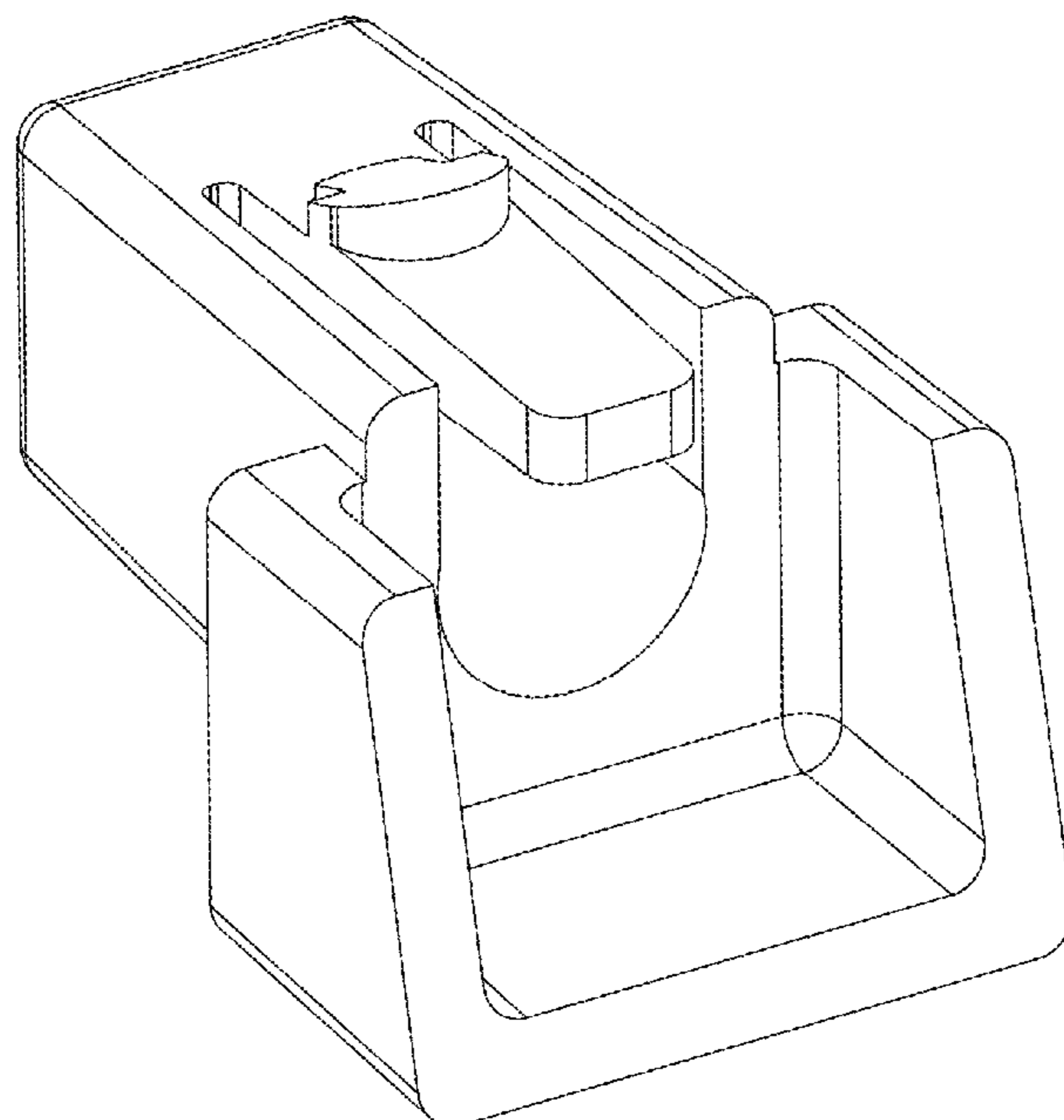
FIG. 1 is a front top quarter perspective of a nut retainer showing the ornamental design of an embodiment; FIG. 2 is a rear bottom quarter view of the embodiment of FIG. 1; FIG. 3 is a front view of the embodiment of FIG. 1; FIG. 4 is a rear view of the embodiment of FIG. 1; FIG. 5 is a first side view of the embodiment of FIG. 1; FIG. 6 is a second side view of the embodiment of FIG. 1; FIG. 7 is a top view of the embodiment of FIG. 1; and, FIG. 8 is a bottom view of the embodiment of FIG. 1. The broken line portions of the drawings are for illustrative purposes only and form no part of the claimed design.

1 Claim, 6 Drawing Sheets

(56) **References Cited**

U.S. PATENT DOCUMENTS

- 1,742,052 A * 12/1929 Anderson F16B 41/002
411/974
- 2,717,622 A * 9/1955 Flora F16B 37/044
411/965
- D196,142 S * 8/1963 Storm et al. D8/394
- D202,294 S * 9/1965 Heifetz D8/394
- D210,098 S * 2/1968 Marik D8/394
- 5,919,019 A * 7/1999 Fischer F16B 37/043
411/177
- D538,143 S * 3/2007 Pu D8/394
- D657,663 S * 4/2012 Boucher-Gagne D8/394
- D664,031 S * 7/2012 Kleiber, Jr. D8/394
- D793,851 S * 8/2017 Mann D8/394
- D888,546 S * 6/2020 Buczynski D8/395
- D889,253 S * 7/2020 Makino D8/394



(56)

References Cited

U.S. PATENT DOCUMENTS

2023/0040255 A1* 2/2023 Gentner F16B 37/044
2023/0392639 A1* 12/2023 Nelson F16B 37/043

* cited by examiner

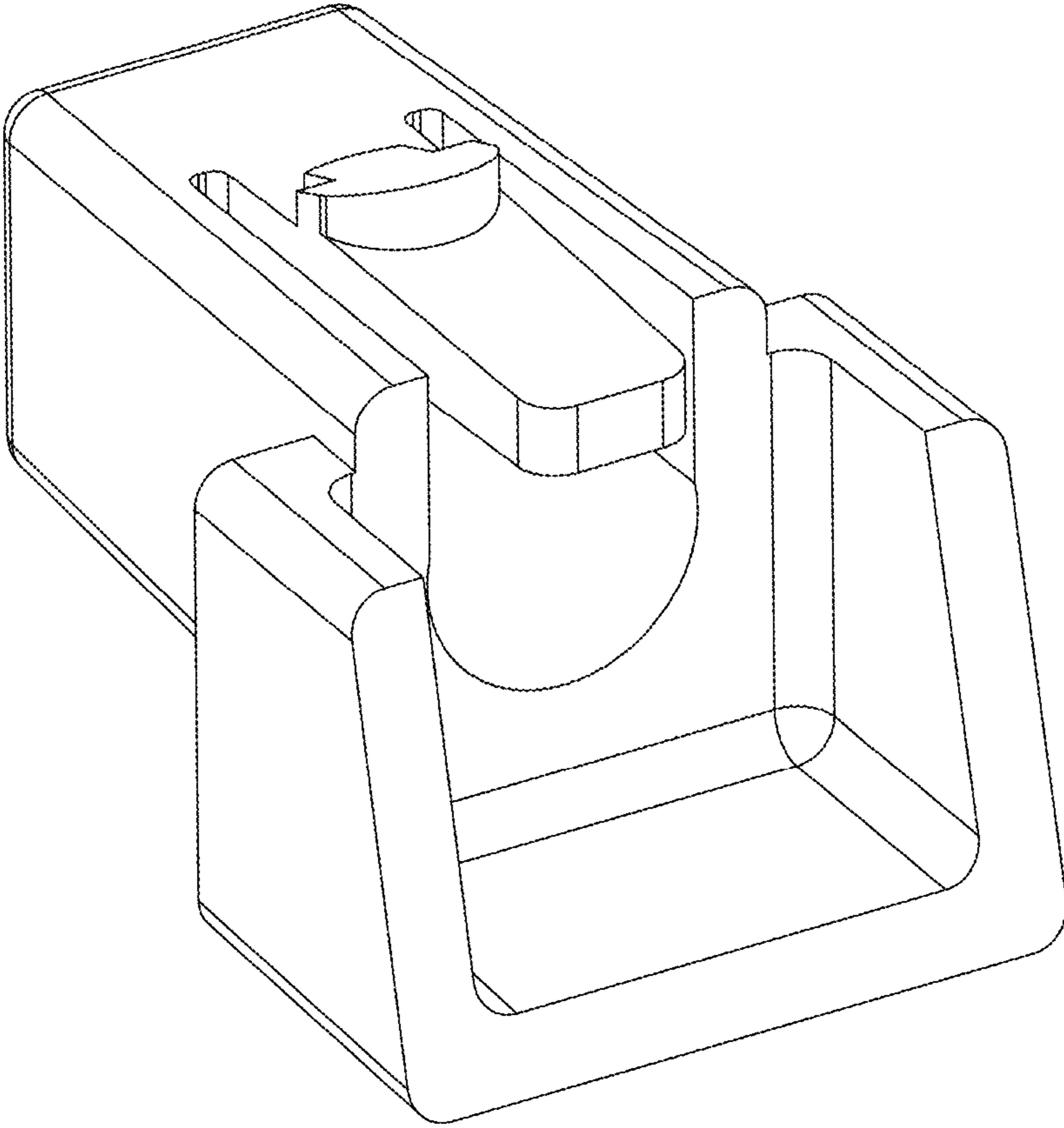


FIG. 1

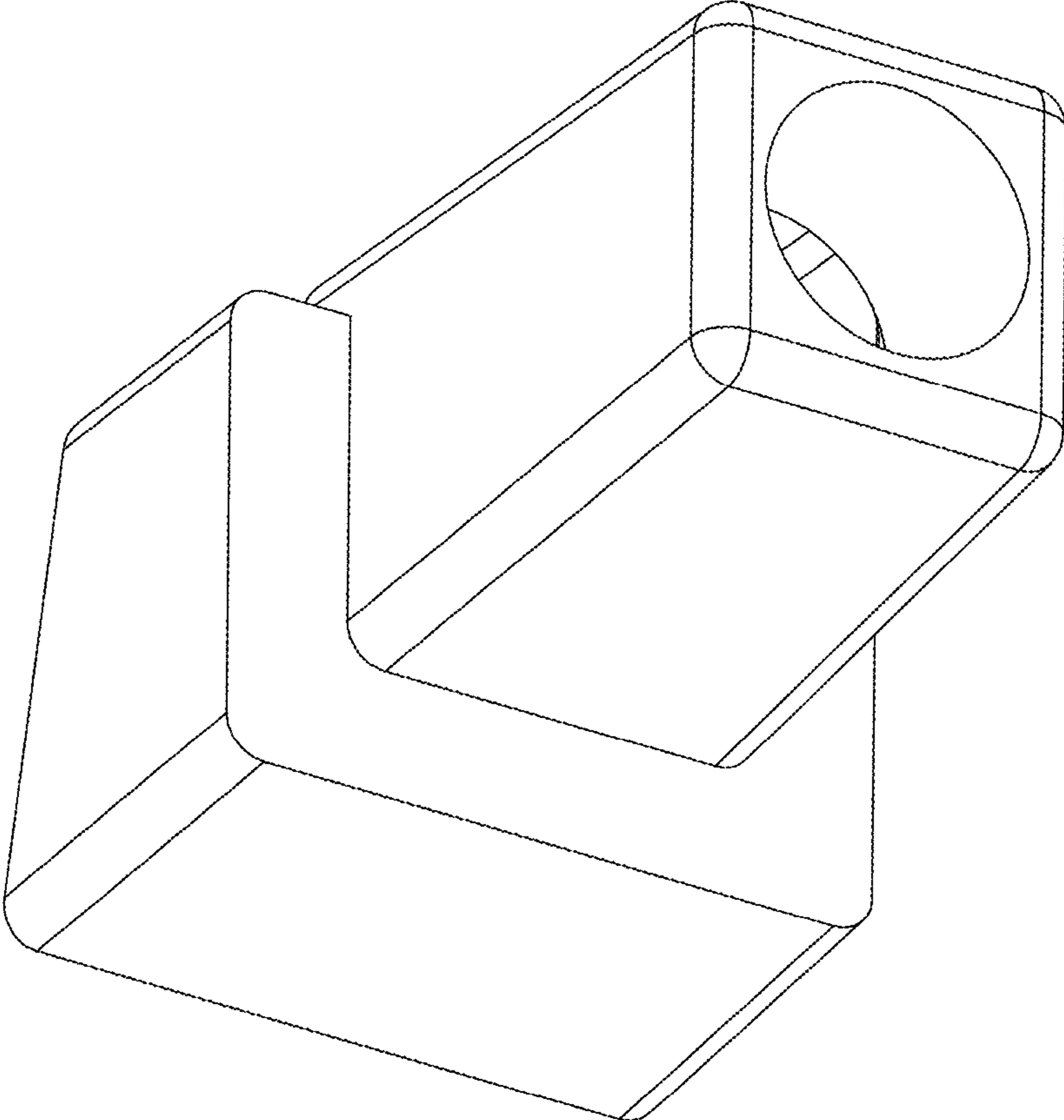


FIG. 2

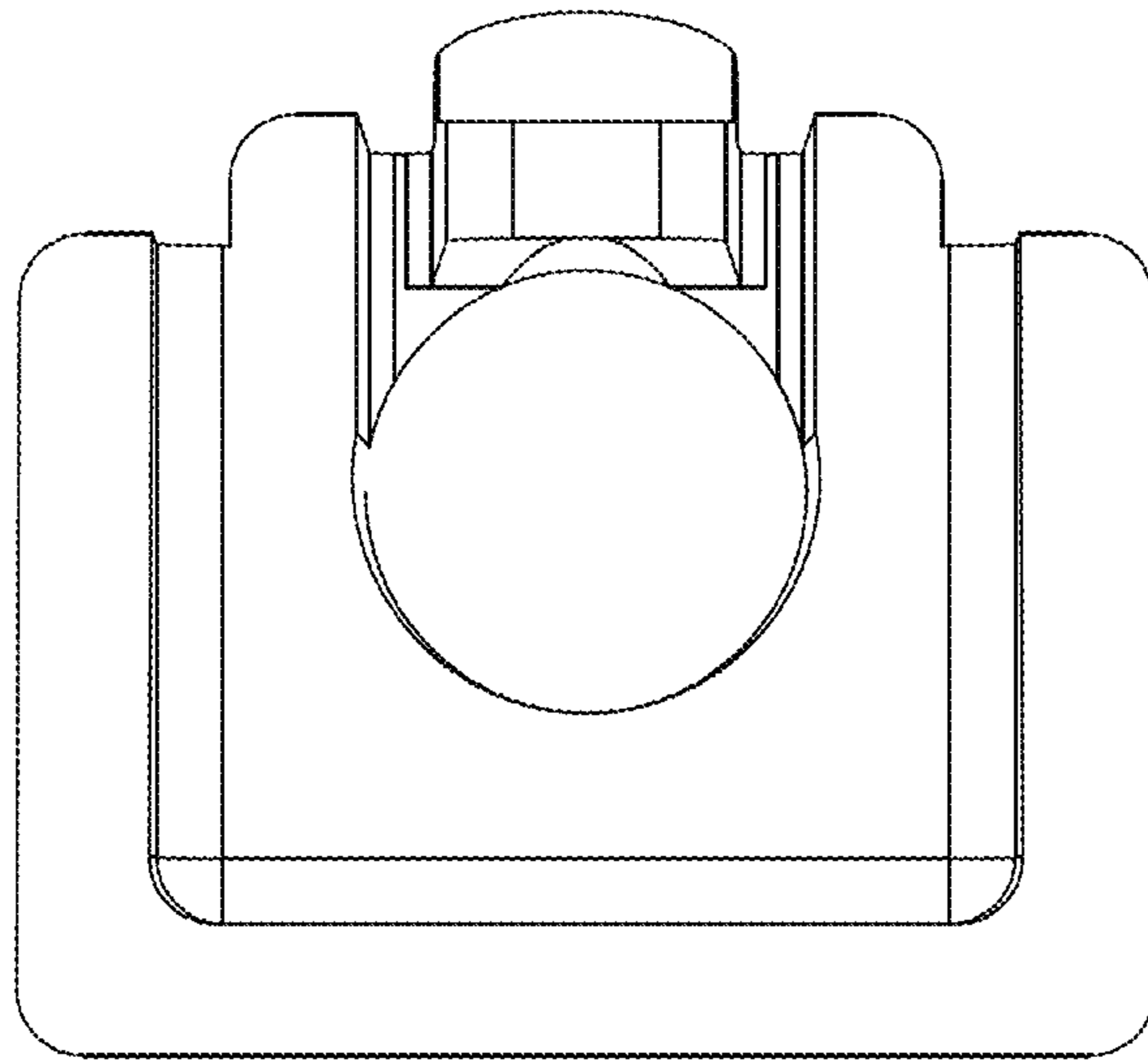


FIG. 3

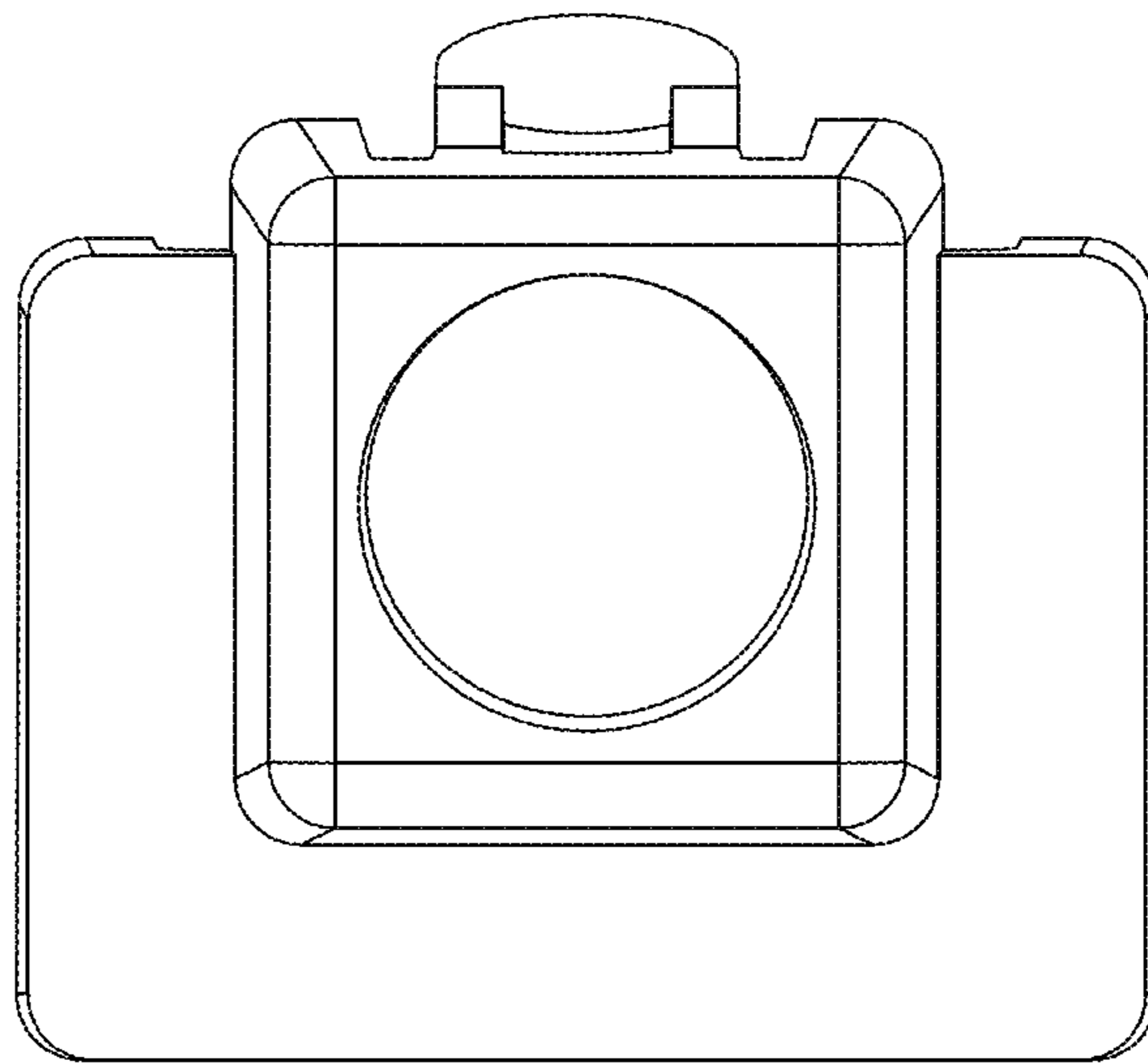


FIG. 4

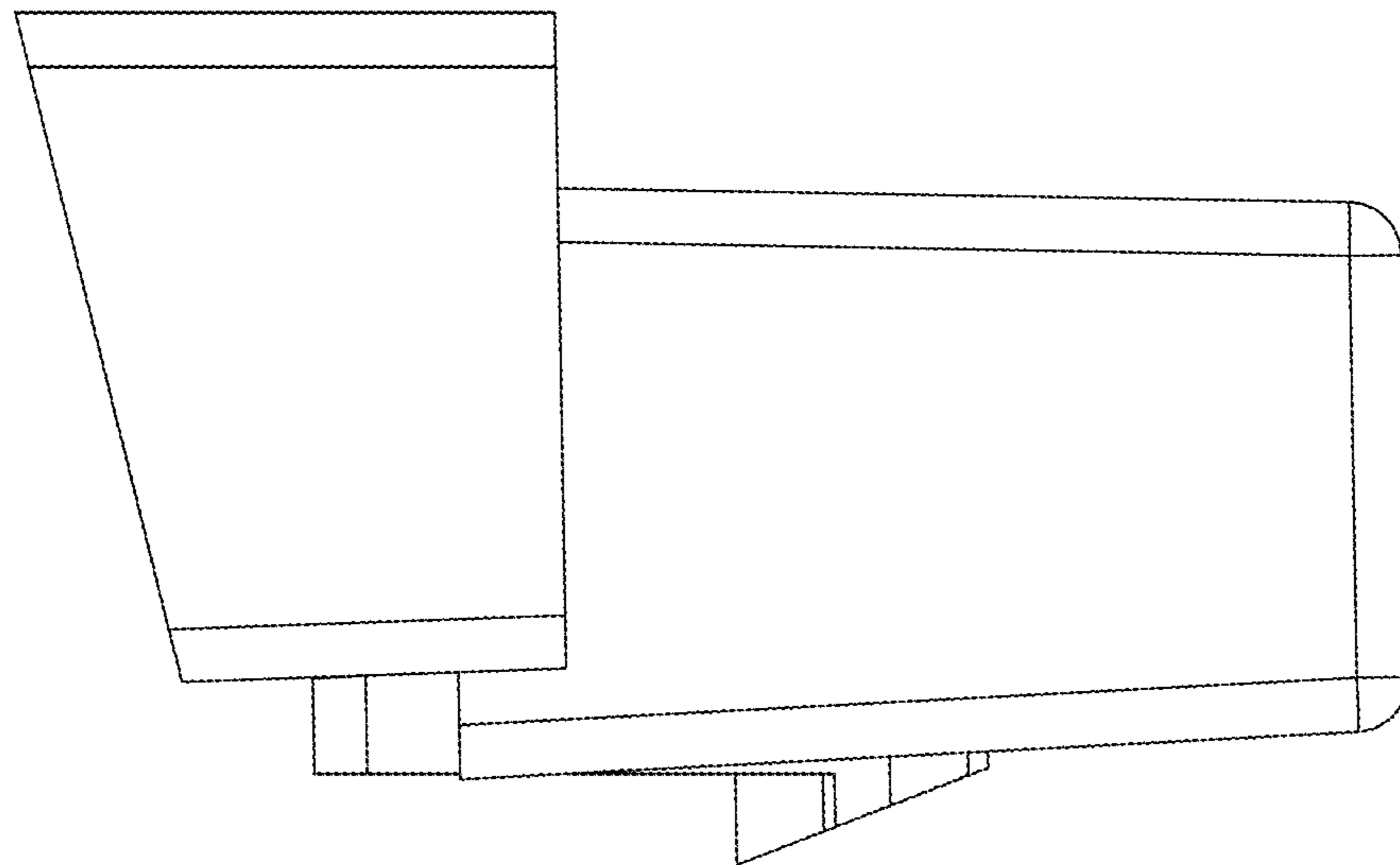


FIG. 5

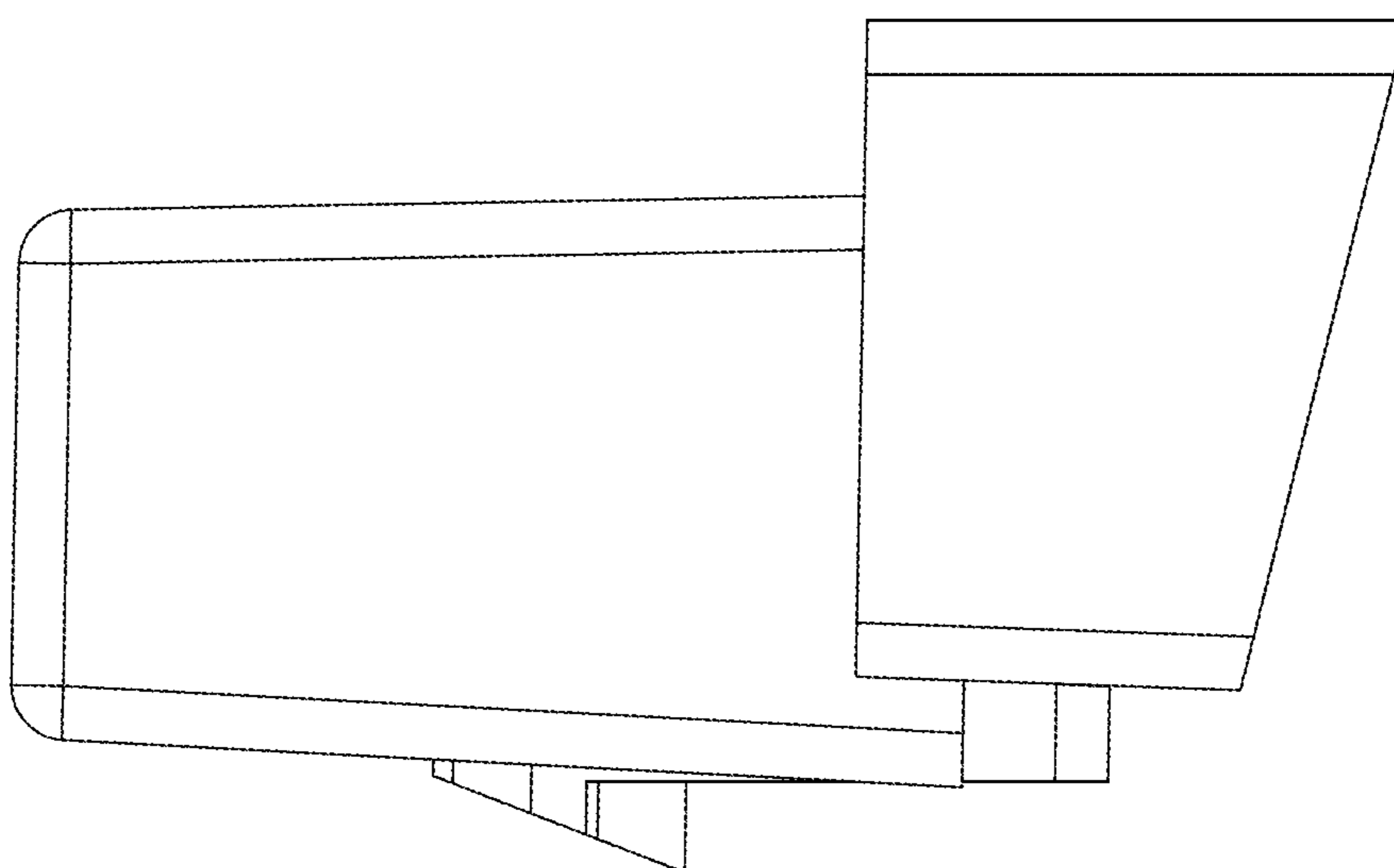


FIG. 6

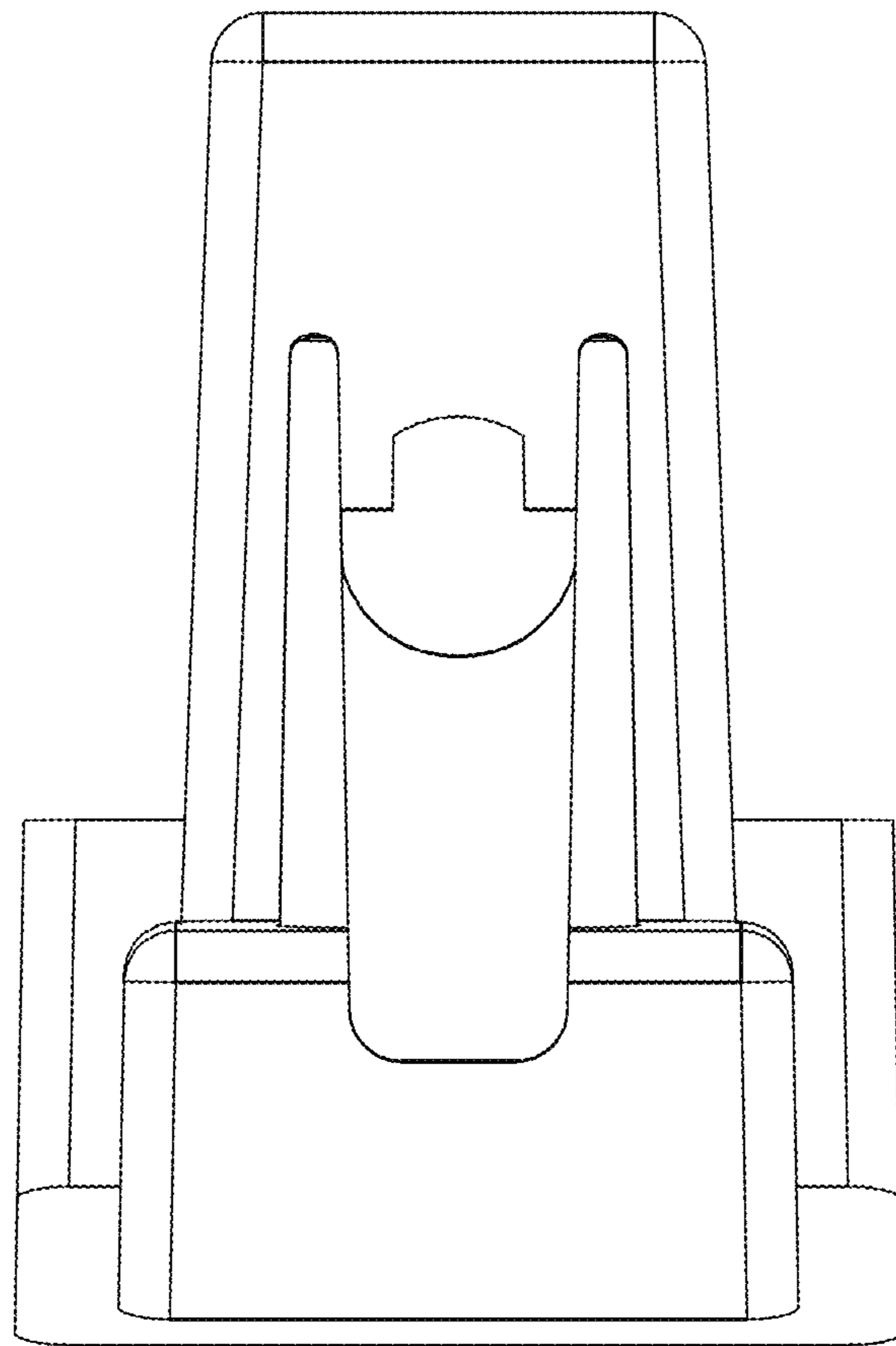


FIG. 7

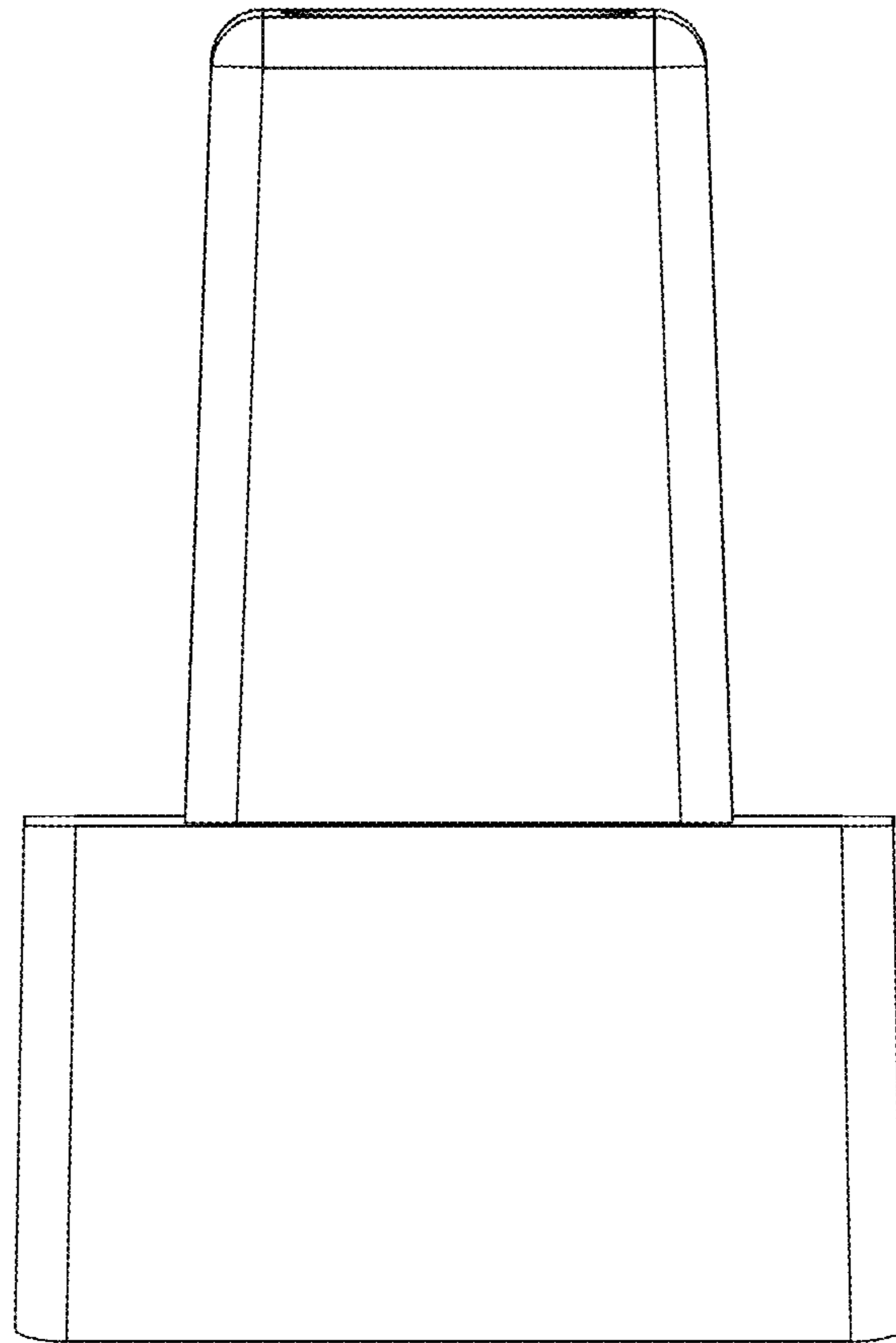


FIG. 8