



US0D1039844S

(12) **United States Design Patent** (10) **Patent No.:** **US D1,039,844 S**  
**Ndiaye** (45) **Date of Patent:** **\*\* Aug. 27, 2024**

(54) **BRUSH HANDLE**  
(71) Applicant: **Elhadji Ndiaye**, Dallas, TX (US)  
(72) Inventor: **Elhadji Ndiaye**, Dallas, TX (US)  
(\*\*) Term: **15 Years**  
(21) Appl. No.: **29/931,436**  
(22) Filed: **Mar. 6, 2024**  
(51) **LOC (14) Cl.** ..... **04-99**  
(52) **U.S. Cl.**  
USPC ..... **D4/138**  
(58) **Field of Classification Search**  
USPC ..... D4/116, 130, 132, 134, 136, 138;  
D30/158, 159  
CPC ..... A46B 2200/104; A01K 13/002  
See application file for complete search history.

D936,372 S 11/2021 Hulin et al.  
D941,036 S \* 1/2022 Hinds ..... D4/134  
D941,037 S \* 1/2022 Wojczak ..... D4/138  
D946,905 S \* 3/2022 Hinds ..... D4/134  
D950,253 S 5/2022 Dastagir  
D979,253 S \* 2/2023 Janowick ..... D28/35  
D985,281 S 5/2023 Russo  
D1,025,614 S \* 5/2024 Odesho ..... D4/134  
2015/0342334 A1\* 12/2015 Hickey ..... A46B 9/023  
15/160

\* cited by examiner

*Primary Examiner* — Cynthia Ramirez  
*Assistant Examiner* — Tamara L Hahn  
(74) *Attorney, Agent, or Firm* — INNOVATION  
CAPITAL LAW GROUP, LLP; Vic Lin

(57) **CLAIM**

The ornamental design for a brush handle, as shown and described.

**DESCRIPTION**

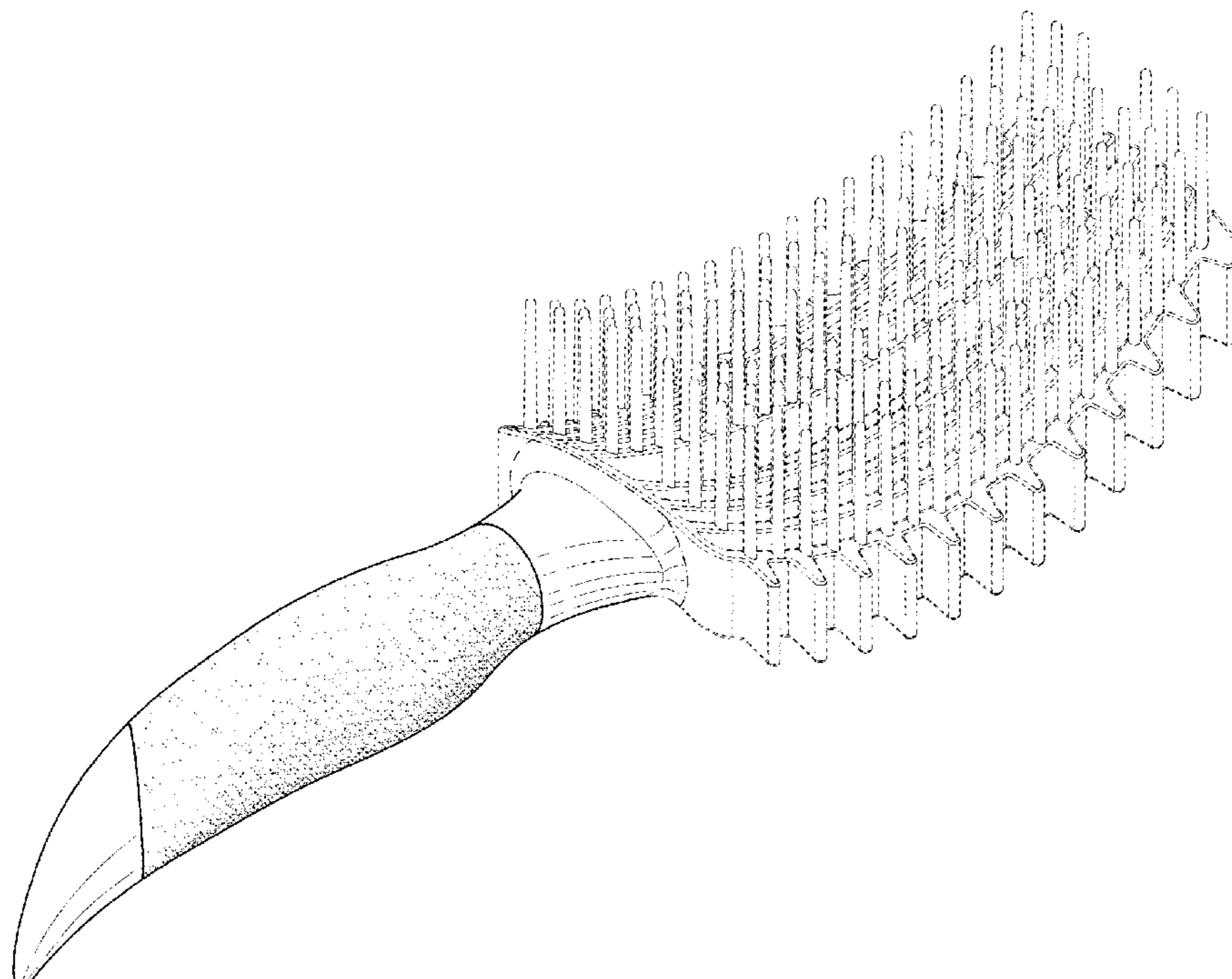
FIG. 1 is a perspective view of a brush handle, showing my new design;  
FIG. 2 is a bottom plan view thereof;  
FIG. 3 is a top plan view thereof;  
FIG. 4 is a right side elevation view thereof;  
FIG. 5 is a left side elevation view thereof;  
FIG. 6 is a front elevation view thereof; and,  
FIG. 7 is a rear elevation view thereof.  
The evenly spaced broken lines in the drawings depict portions of the brush handle that forms no part of the claimed design. The dot-dash broken lines in the drawings depict the boundary of the claim that forms no part of the claimed design.

**1 Claim, 7 Drawing Sheets**

(56) **References Cited**

U.S. PATENT DOCUMENTS

D231,506 S 4/1974 Karabelas et al.  
D319,924 S 9/1991 Carranza et al.  
D466,310 S 12/2002 Vaes  
D504,234 S \* 4/2005 Kuo ..... D4/133  
D544,716 S 6/2007 Rizzuto, Jr. et al.  
D645,665 S 9/2011 Del Ponte  
D681,343 S 5/2013 Arvinte et al.  
D728,944 S \* 5/2015 Noel ..... D4/134  
D757,448 S 5/2016 Lambertson, Jr. et al.  
D764,808 S 8/2016 Rosenzweig  
D823,006 S 7/2018 Kim  
D892,415 S \* 8/2020 Axelrod ..... D4/118  
D893,888 S \* 8/2020 Sze ..... D4/134  
D905,970 S \* 12/2020 Rennette ..... D4/134  
D930,367 S \* 9/2021 Wojczak ..... D4/138



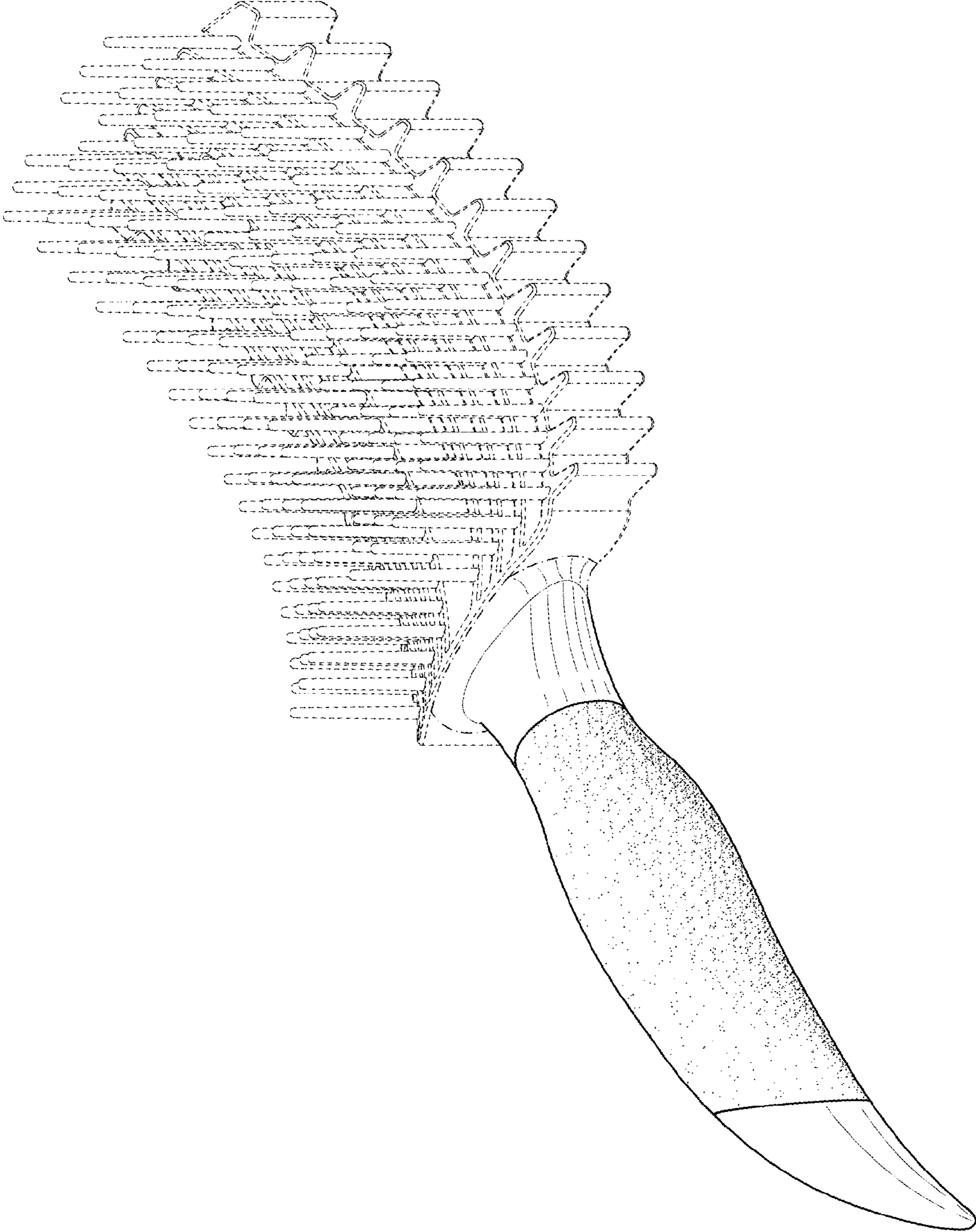


FIG. 1

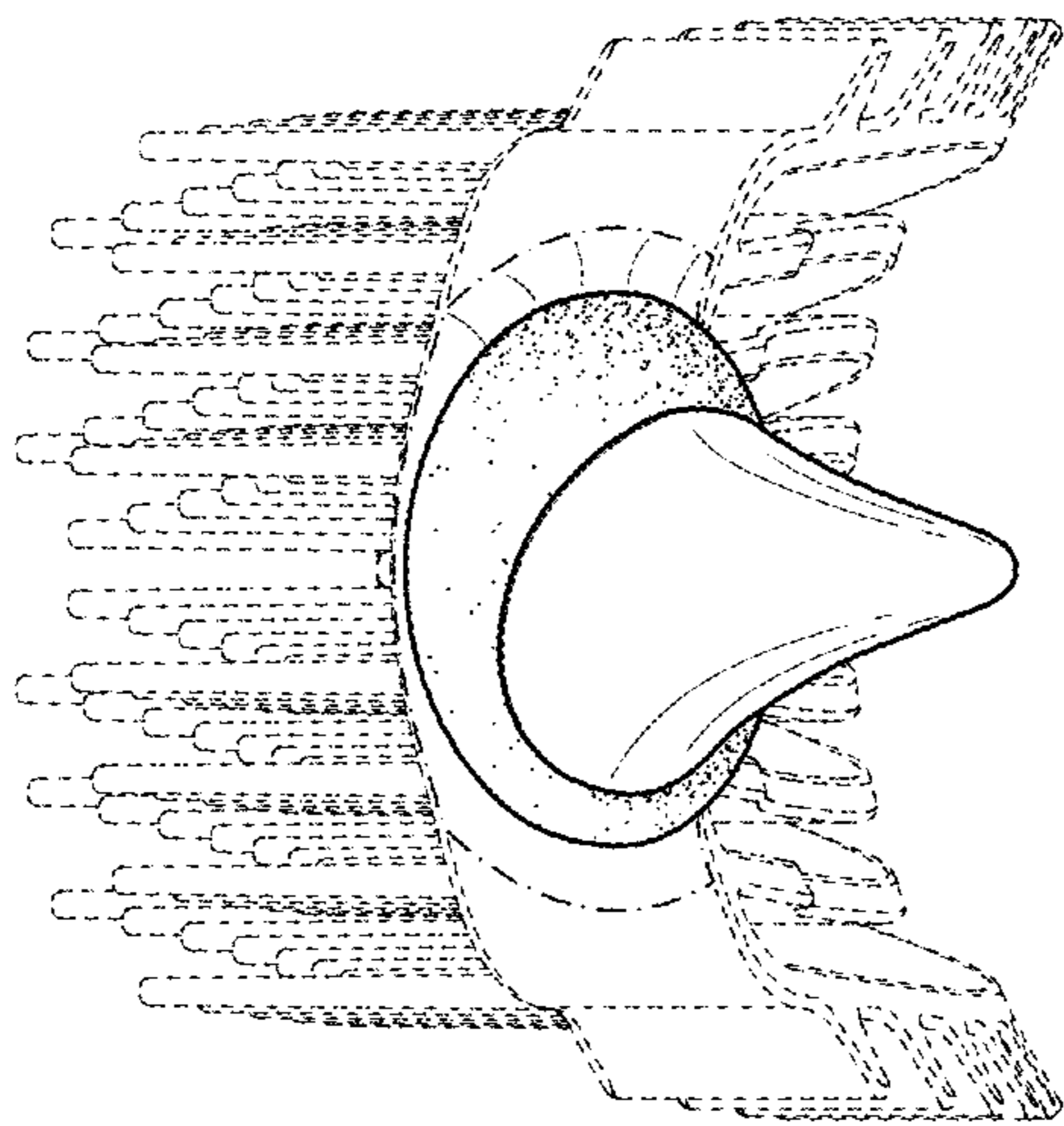


FIG. 2

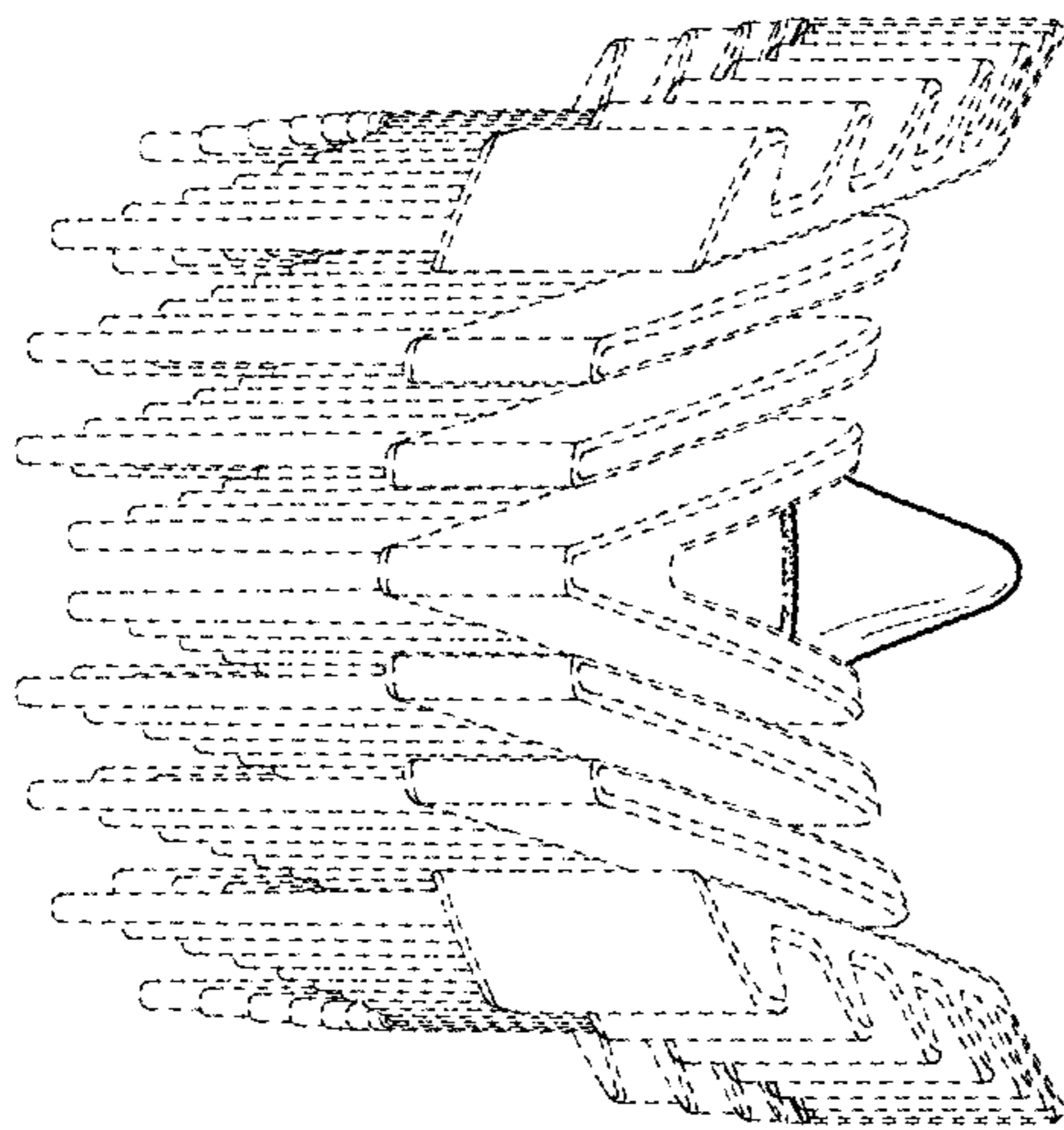


FIG. 3

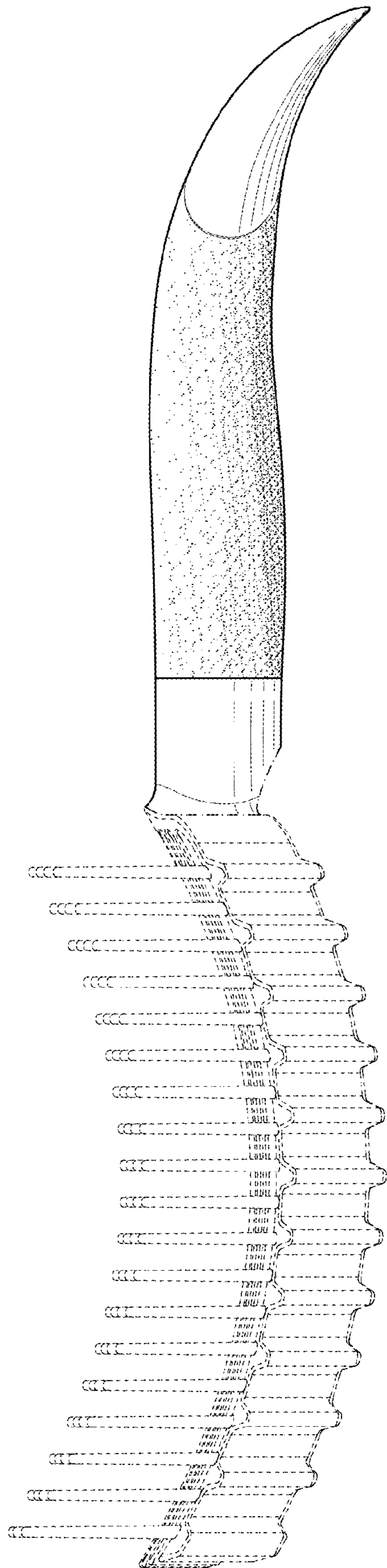


FIG. 4

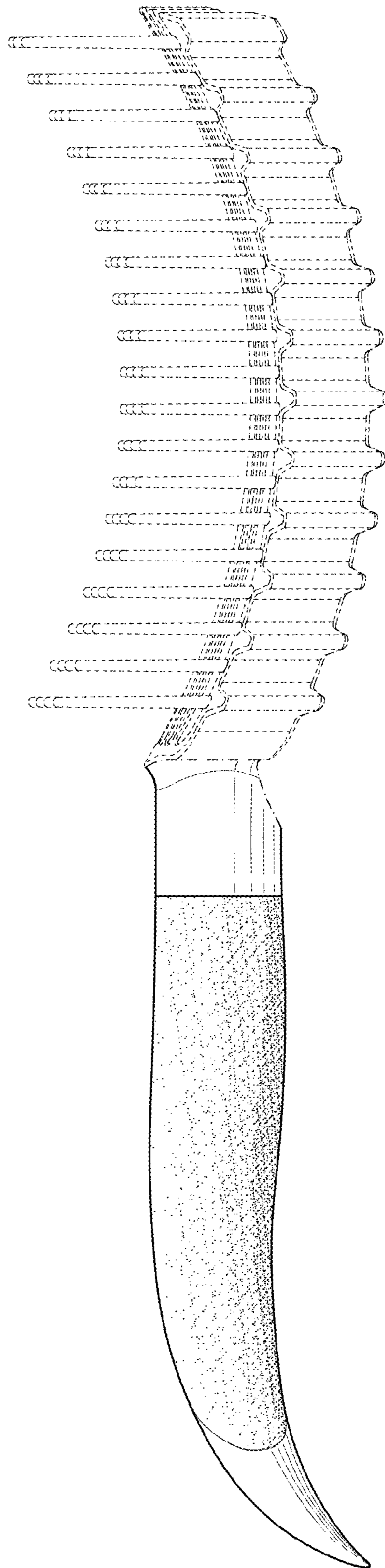


FIG. 5

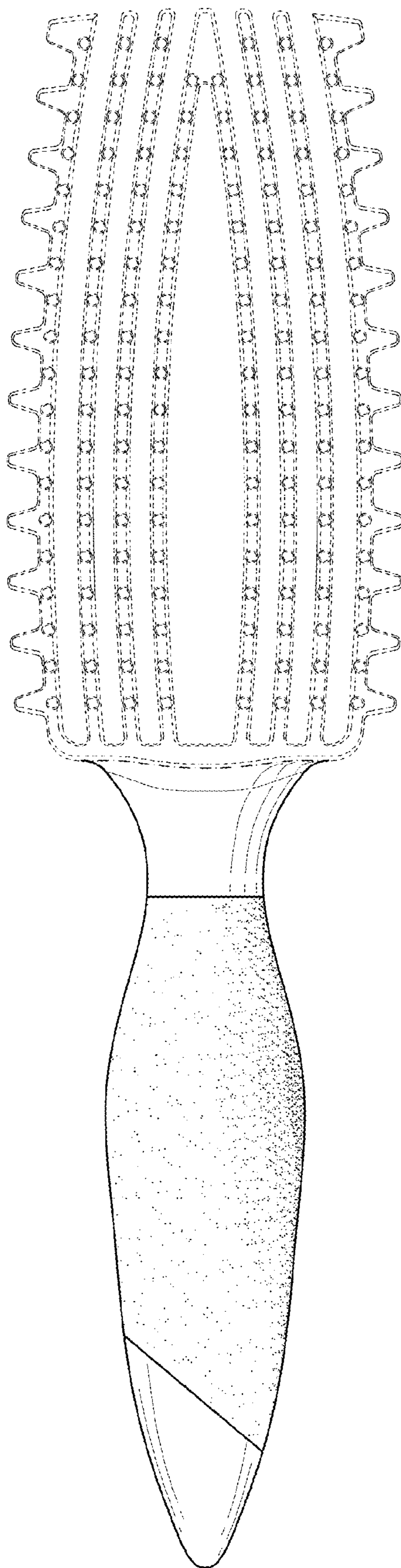


FIG. 6

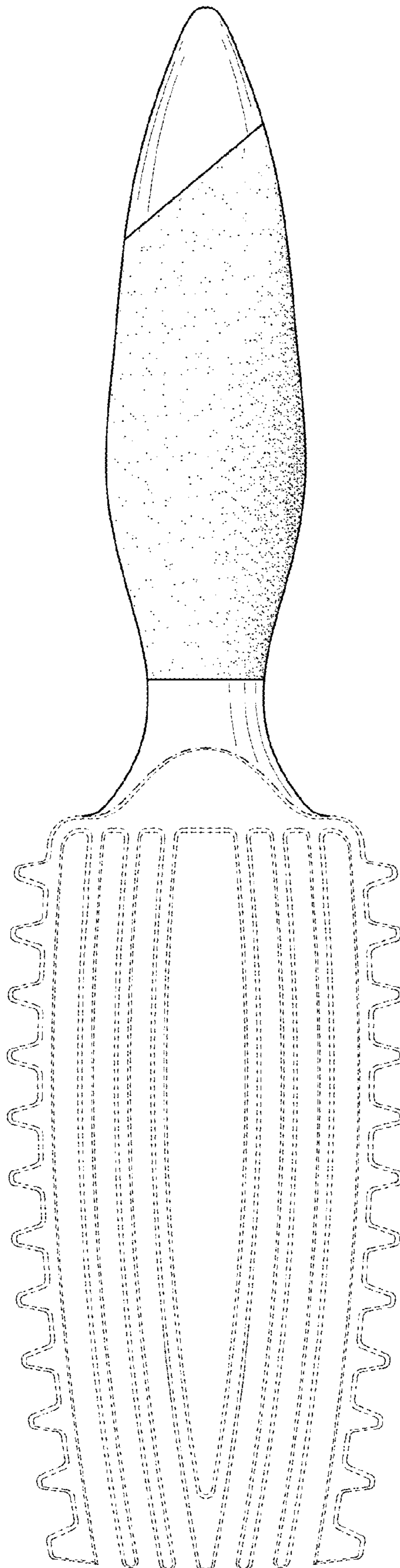


FIG. 7