



US0D1039663S

(12) **United States Design Patent** (10) **Patent No.:** **US D1,039,663 S**  
**Stoltzfus** (45) **Date of Patent:** **\*\* Aug. 20, 2024**

(54) **FIRE PIT**  
(71) Applicant: **Breco, LLC**, Kinzers, PA (US)  
(72) Inventor: **Amos A. Stoltzfus**, Gordonville, PA (US)

D186,487 S 10/1959 Brooks  
D191,186 S 8/1961 Maki  
3,220,400 A 11/1965 Yager  
D204,348 S 4/1966 Shilling  
3,458,895 A 8/1969 Miller II  
(Continued)

(73) Assignee: **Breco, LLC**, Kinzers, PA (US)  
(\*\*) Term: **15 Years**

FOREIGN PATENT DOCUMENTS

DE 10236945 A1 3/2004  
WO 2010029567 A2 3/2010

(21) Appl. No.: **29/801,414**  
(22) Filed: **Jul. 28, 2021**

OTHER PUBLICATIONS

Jan. 19, 2011 Fire Pit w/ Kettle Winch publication, Beaver Creek Furniture.

**Related U.S. Application Data**

(Continued)

(60) Continuation of application No. 29/780,718, filed on Apr. 26, 2021, now Pat. No. Des. 926,950, which is a continuation of application No. 29/771,415, filed on Feb. 23, 2021, now Pat. No. Des. 918,358, which is a division of application No. 29/702,198, filed on Aug. 16, 2019, now Pat. No. Des. 914,172.

*Primary Examiner* — Ania Aman  
(74) *Attorney, Agent, or Firm* — Fred Zollinger

(51) **LOC (14) Cl.** ..... **23-03**  
(52) **U.S. Cl.**  
USPC ..... **D23/332**

(57) **CLAIM**

The ornamental design for a fire pit, as shown and described.

(58) **Field of Classification Search**  
USPC ..... D23/332, 334, 335, 336, 337, 338, 339, D23/340, 341, 343, 346, 348; D7/332, D7/333, 334, 335, 337, 339, 341  
CPC ..... F24C 1/16; F24C 5/00; F24C 3/14; A47J 33/00; A47J 37/0763; A47J 37/07; F24B 1/18; F24B 1/182; F24B 1/1808; F24B 1/181; F24B 1/195  
See application file for complete search history.

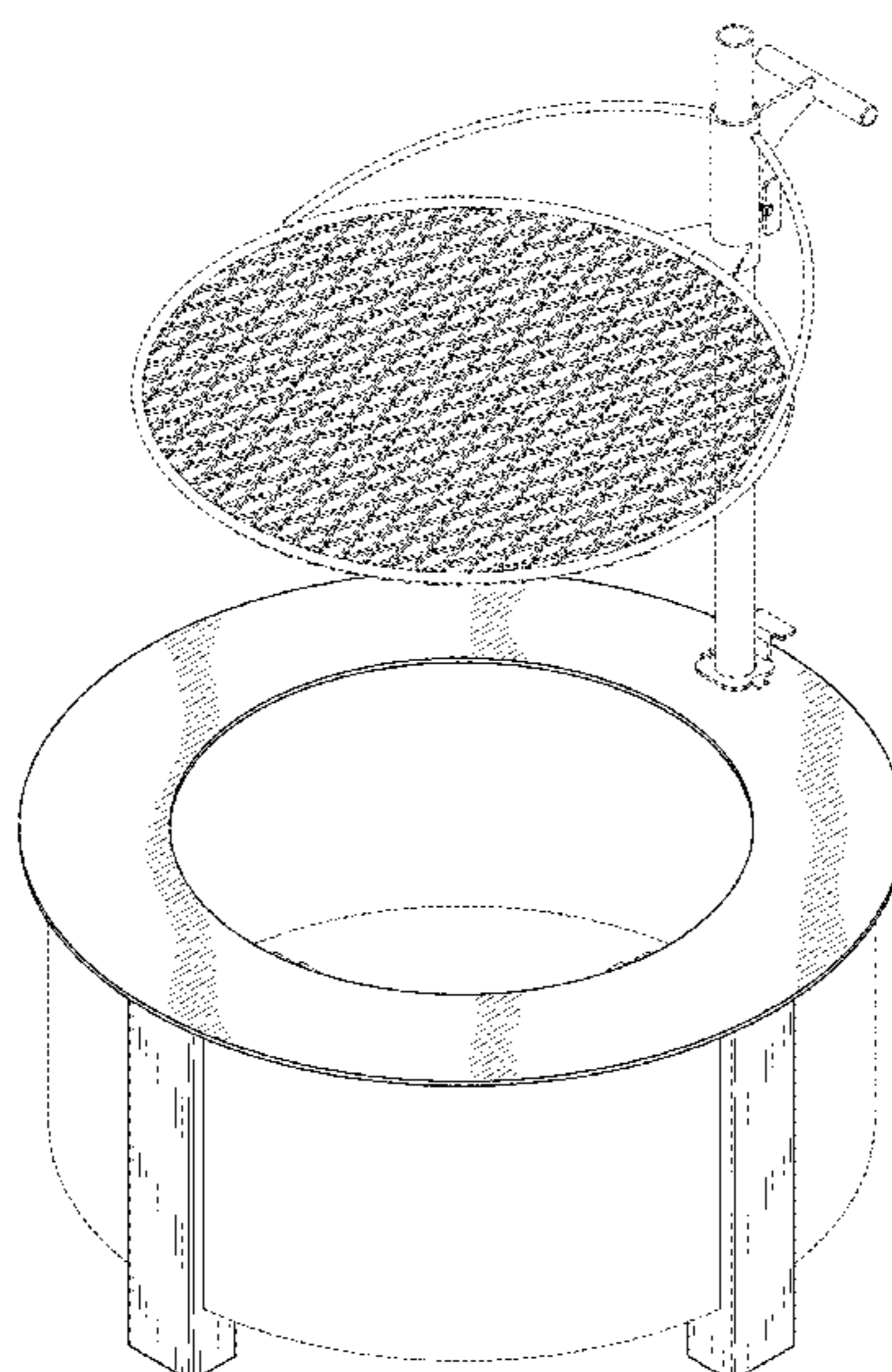
**DESCRIPTION**

FIG. 1 is an upper perspective view of a first embodiment of the fire pit showing my new design.  
FIG. 2 is a front elevation view thereof.  
FIG. 3 is a left side elevation view thereof.  
FIG. 4 is a right side elevation view thereof.  
FIG. 5 is a rear elevation view thereof.  
FIG. 6 is an upper perspective view of a second embodiment of the fire pit showing my new design.  
FIG. 7 is a front elevation view thereof.  
FIG. 8 is a left side elevation view thereof.  
FIG. 9 is a right side elevation view thereof; and,  
FIG. 10 is a rear elevation view thereof.  
The broken lines shown in the drawings are for purposes of illustrating portions of the article that form no part of the claimed design.

(56) **References Cited**  
U.S. PATENT DOCUMENTS

1,996,349 A 4/1935 Ross  
2,210,720 A 8/1940 Johnson et al.  
2,419,379 A 4/1947 Tindell, Jr.  
2,604,884 A 7/1952 Walker

**1 Claim, 10 Drawing Sheets**





(56)

References Cited

U.S. PATENT DOCUMENTS

3,742,839 A 7/1973 Maley  
 3,765,397 A 10/1973 Henderson  
 3,868,943 A 3/1975 Hottenroth et al.  
 3,982,522 A 9/1976 Hottenroth et al.  
 D263,918 S 4/1982 Boyd  
 D264,541 S 5/1982 Bruveris  
 4,471,751 A 9/1984 Hottenroth et al.  
 4,548,193 A 10/1985 Marogil  
 4,667,651 A 5/1987 Groeneweg  
 4,732,138 A 3/1988 Vos  
 4,762,114 A 8/1988 Blankemeyer  
 4,813,308 A 3/1989 Petrus  
 D315,846 S 4/1991 Hatzenbeller  
 5,094,223 A 3/1992 Gonzalez  
 D327,602 S 7/1992 Walker  
 5,133,266 A 7/1992 Cullen  
 D335,811 S 5/1993 Bengtson et al.  
 D342,184 S 12/1993 Sanchez  
 D344,207 S 2/1994 Bauman  
 D349,024 S 7/1994 Doffee  
 D369,939 S 5/1996 Gibbs  
 5,572,983 A 11/1996 Schlosser et al.  
 5,596,980 A 1/1997 Whalen et al.  
 D382,765 S 8/1997 Kellermann  
 D390,935 S 2/1998 Bosje et al.  
 5,797,386 A 8/1998 Orr  
 5,842,463 A 12/1998 Hall  
 5,862,742 A 1/1999 Bjerg  
 5,873,356 A 2/1999 Vossler et al.  
 6,070,571 A 6/2000 Bradbury  
 D440,638 S 4/2001 Lefroy-Brooks  
 6,289,795 B1 9/2001 McLemore et al.  
 6,298,843 B1 10/2001 Olsen et al.  
 6,336,449 B1 1/2002 Drisdelle et al.  
 6,354,288 B1 3/2002 McDonald  
 D457,029 S 5/2002 Wickizer  
 6,386,192 B1 5/2002 Weber  
 6,578,568 B1 6/2003 Dufort et al.  
 6,845,705 B1 1/2005 Chen  
 7,007,687 B2 3/2006 Lewis  
 D563,144 S 3/2008 Melzer et al.  
 7,383,836 B2 6/2008 Klemming  
 D577,946 S 10/2008 Carroll  
 D582,197 S 12/2008 Parmelee  
 D592,443 S 5/2009 Fraser  
 D624,350 S 9/2010 Wu  
 8,272,601 B2 9/2012 Kocher  
 D679,791 S 4/2013 Lowsky  
 D690,405 S 9/2013 Lowsky  
 D701,721 S 4/2014 Jan  
 D715,611 S 10/2014 Stamm et al.  
 8,893,703 B2 11/2014 DeFoort et al.  
 D724,714 S 3/2015 Benson et al.  
 8,991,382 B1 3/2015 Mau  
 D726,235 S 4/2015 Nauli  
 D734,975 S 7/2015 Troyer, Jr.  
 9,215,950 B2 12/2015 Walker  
 D774,172 S 12/2016 Zemel et al.  
 D780,897 S 3/2017 Weng  
 D790,677 S 6/2017 Horsfield  
 D792,567 S 7/2017 Zemel et al.  
 D796,655 S 9/2017 Horne, III  
 D801,495 S 10/2017 Horne, III  
 D812,957 S 3/2018 McGuinness  
 10,130,212 B2 11/2018 Lopez  
 10,222,092 B1 3/2019 Traeger  
 D845,455 S 4/2019 Horsfield  
 D858,729 S 9/2019 Scott  
 10,473,334 B2 11/2019 Crosen  
 10,588,455 B2 3/2020 Horne, III  
 10,888,195 B1 1/2021 Norris et al.  
 D914,172 S 3/2021 Stoltzfus  
 D917,682 S 4/2021 Stoltzfus  
 D918,357 S 5/2021 Stoltzfus  
 D918,358 S 5/2021 Stoltzfus

D919,777 S 5/2021 Stoltzfus  
 D926,950 S \* 8/2021 Stoltzfus ..... D23/343  
 D927,659 S 8/2021 Stoltzfus  
 D965,121 S \* 9/2022 Stoltzfus ..... D23/343  
 D979,725 S \* 2/2023 Stoltzfus ..... D23/332  
 D1,005,462 S \* 11/2023 Jiang ..... D23/332  
 2002/0040644 A1 4/2002 McLemore et al.  
 2004/0055590 A1 3/2004 Warnick et al.  
 2004/0144379 A1 \* 7/2004 Lewis ..... A47J 33/00  
 126/30  
 2006/0236996 A1 10/2006 Mosher, II et al.  
 2007/0017500 A1 1/2007 Chen  
 2007/0137634 A1 6/2007 Traeger et al.  
 2007/0272229 A1 11/2007 Becker et al.  
 2007/0289587 A1 12/2007 Eckes  
 2008/0105252 A1 5/2008 Barbour et al.  
 2010/0258106 A1 10/2010 Simms, II  
 2011/0073098 A1 3/2011 Chang  
 2011/0186033 A1 \* 8/2011 Chang ..... A47J 37/079  
 126/25 B  
 2012/0145139 A1 6/2012 Deeds  
 2012/0196232 A1 8/2012 Miller  
 2012/0312297 A1 12/2012 Walker  
 2014/0238378 A1 8/2014 Scott  
 2014/0345594 A1 \* 11/2014 Rhodes ..... A47J 37/0704  
 126/25 R  
 2015/0075514 A1 3/2015 Kuenzinger  
 2015/0136112 A1 5/2015 Dyson  
 2015/0201804 A1 7/2015 Liao  
 2015/0267919 A1 9/2015 Zemel et al.  
 2015/0285507 A1 10/2015 Troyer, Jr.  
 2015/0305561 A1 10/2015 Andol  
 2016/0029841 A1 2/2016 Walker  
 2016/0166109 A1 6/2016 Banal et al.  
 2017/0303741 A1 10/2017 Horne, III  
 2018/0184840 A1 7/2018 Maga  
 2019/0137107 A1 5/2019 Crosen  
 2019/0159630 A1 5/2019 Salum  
 2020/0077840 A1 3/2020 White  
 2020/0096199 A1 3/2020 Harrington et al.  
 2020/0370753 A1 11/2020 Goin  
 2021/0018180 A1 1/2021 Jan et al.  
 2021/0045578 A1 2/2021 Stoltzfus  
 2021/0048188 A1 2/2021 Harrington et al.  
 2021/0156565 A1 5/2021 Skillman  
 2021/0180792 A1 \* 6/2021 Kovar ..... F24B 1/192  
 2021/0404663 A1 12/2021 Strange  
 2022/0349582 A1 \* 11/2022 Stoltzfus ..... F24B 13/02  
 2023/0043482 A1 \* 2/2023 Allgyer ..... A47J 33/00  
 2023/0132862 A1 \* 5/2023 Spinney ..... F24B 1/193  
 126/25 R  
 2024/0011639 A1 \* 1/2024 Weilert ..... F24B 1/181  
 2024/0035662 A1 \* 2/2024 Stoltzfus ..... A47J 37/07

OTHER PUBLICATIONS

Admitted prior art, printed from <https://breco.co> Aug. 15, 2019; breco Smokeless Fire Pits, Luxeve.  
 Admitted prior art, Breco, LLC, Double Flame 17" Grill & Post, downloaded on Sep. 4, 2019 from <https://breco.co/collections/double-flame/products/double-flame-17-grill-post>.  
 Admitted prior art, Breco, LLC, Double Flame 19" Smokeless Fire Pit, downloaded on Sep. 4, 2019 from <https://preco.co/collections/double-flame/products/double-flame-19-fire-pit-stainless>.  
 Admitted prior art, Breco, LLC, Double Flame 24" Smokeless Fire Pit—Steel, downloaded on Sep. 4, 2019 from <https://breco.co/collections/double-flame/products/double-flame-24-fire-pit-steel>.  
 Admitted prior art, Breco, LLC, Double Flame 24" Smokeless Fire Pit—Stainless, downloaded on Sep. 4, 2019 from <https://breco.co/collections/double-flame/products/double-flame-24-fire-pit-stainless>.  
 Admitted prior art, Breco, LLC, Double Flame 24" Double Flame 24" Grill & Post, downloaded on Sep. 4, 2019 from <https://breco.co/collections/double-flame/products/double-flame-24-grill-post>.  
 Breco, LLC, Phoenix, downloaded on Sep. 4, 2019 from <https://breco.co/collections/phenix>.

(56)

**References Cited**

OTHER PUBLICATIONS

Yardcraft, The Forge Smokeless Fire Pit, accessed Apr. 22, 2021, printed May 11, 2021, from [www.yardcraft.com/product/fire-pits/urban-fire-collection/the-forge-smokeless-fire-pit/](http://www.yardcraft.com/product/fire-pits/urban-fire-collection/the-forge-smokeless-fire-pit/).  
U.S. Pat. No. 613781, November 8, 1898, Schneider.

\* cited by examiner



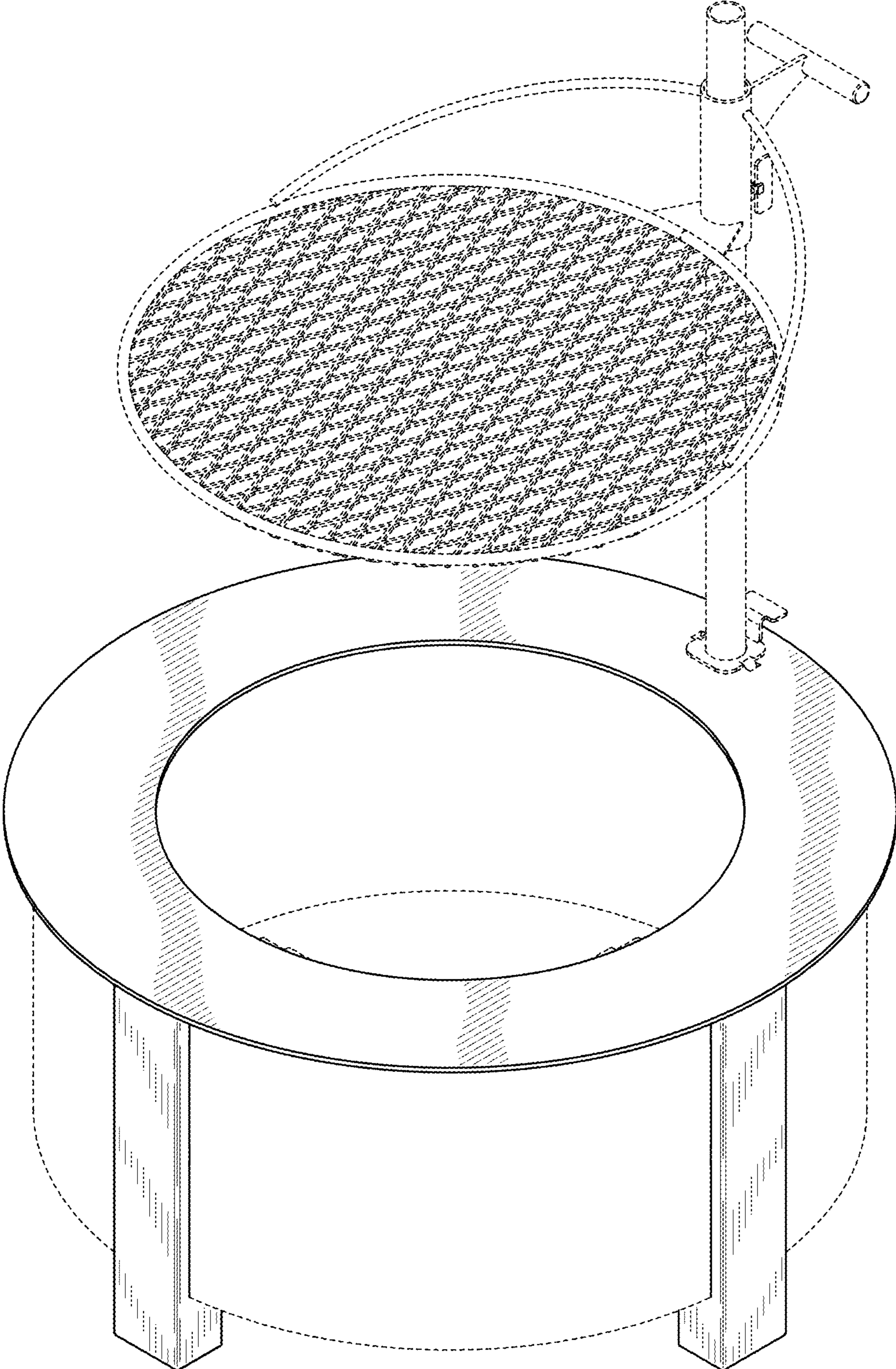


FIG. 1

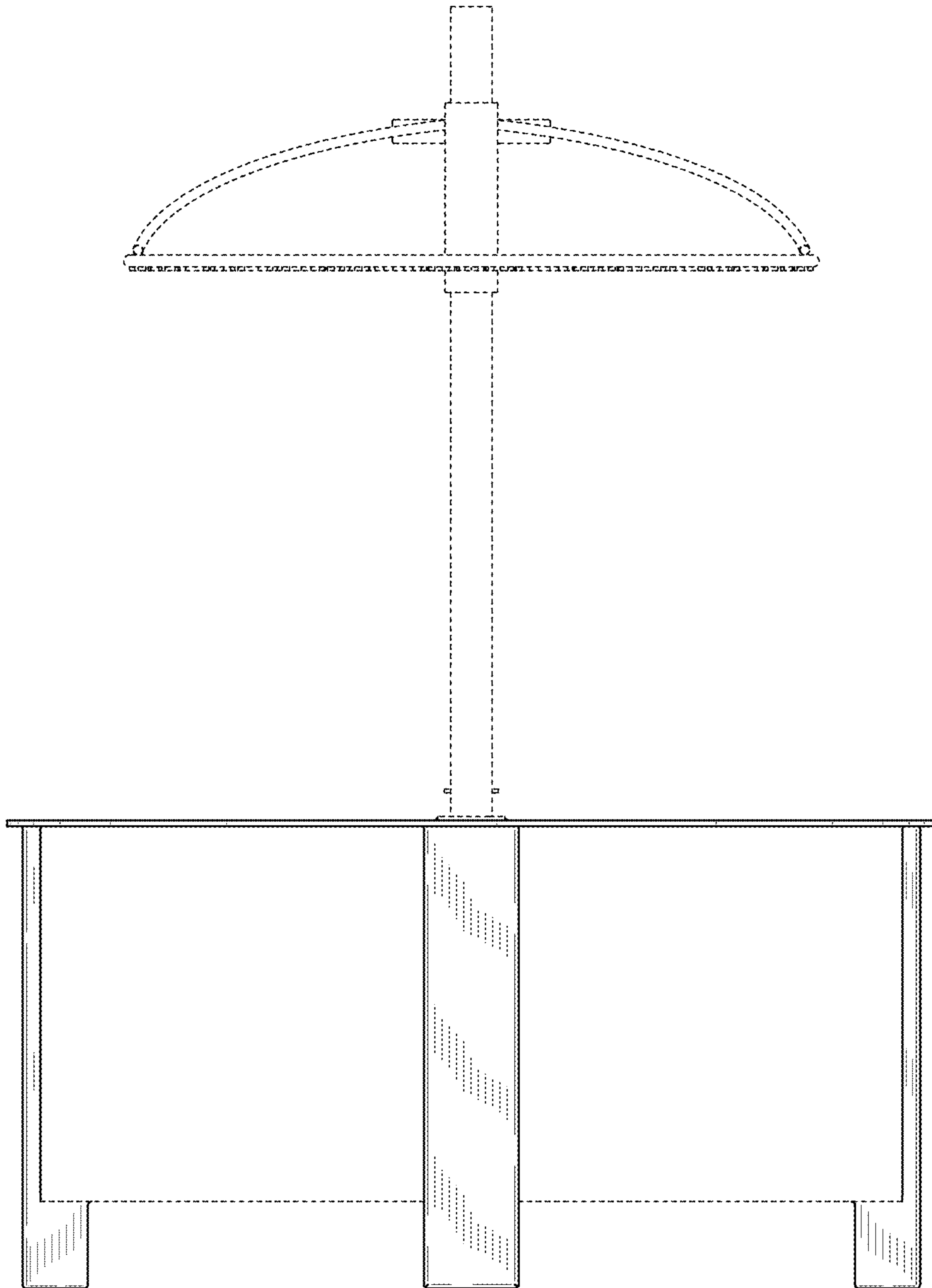


FIG. 2

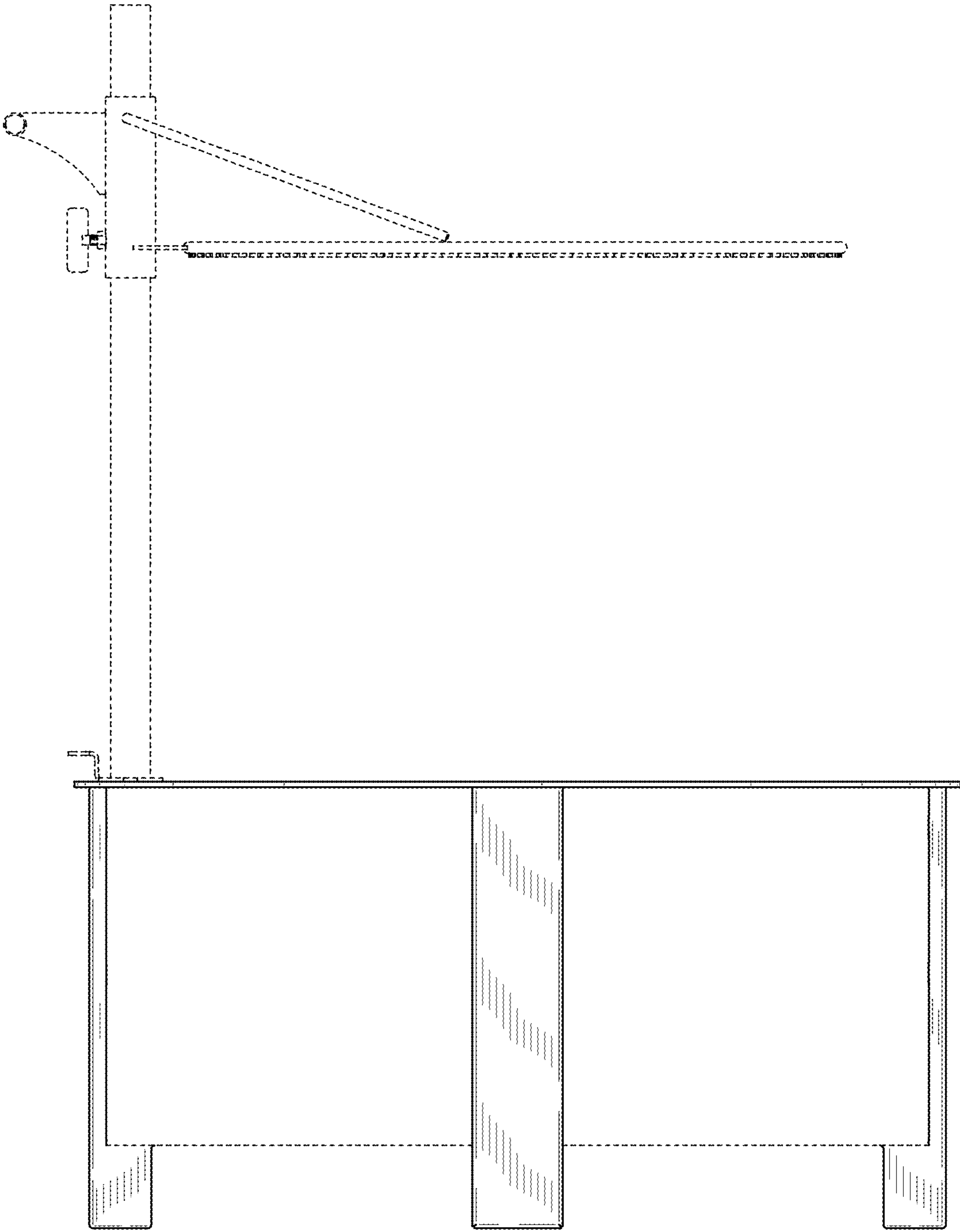


FIG. 3

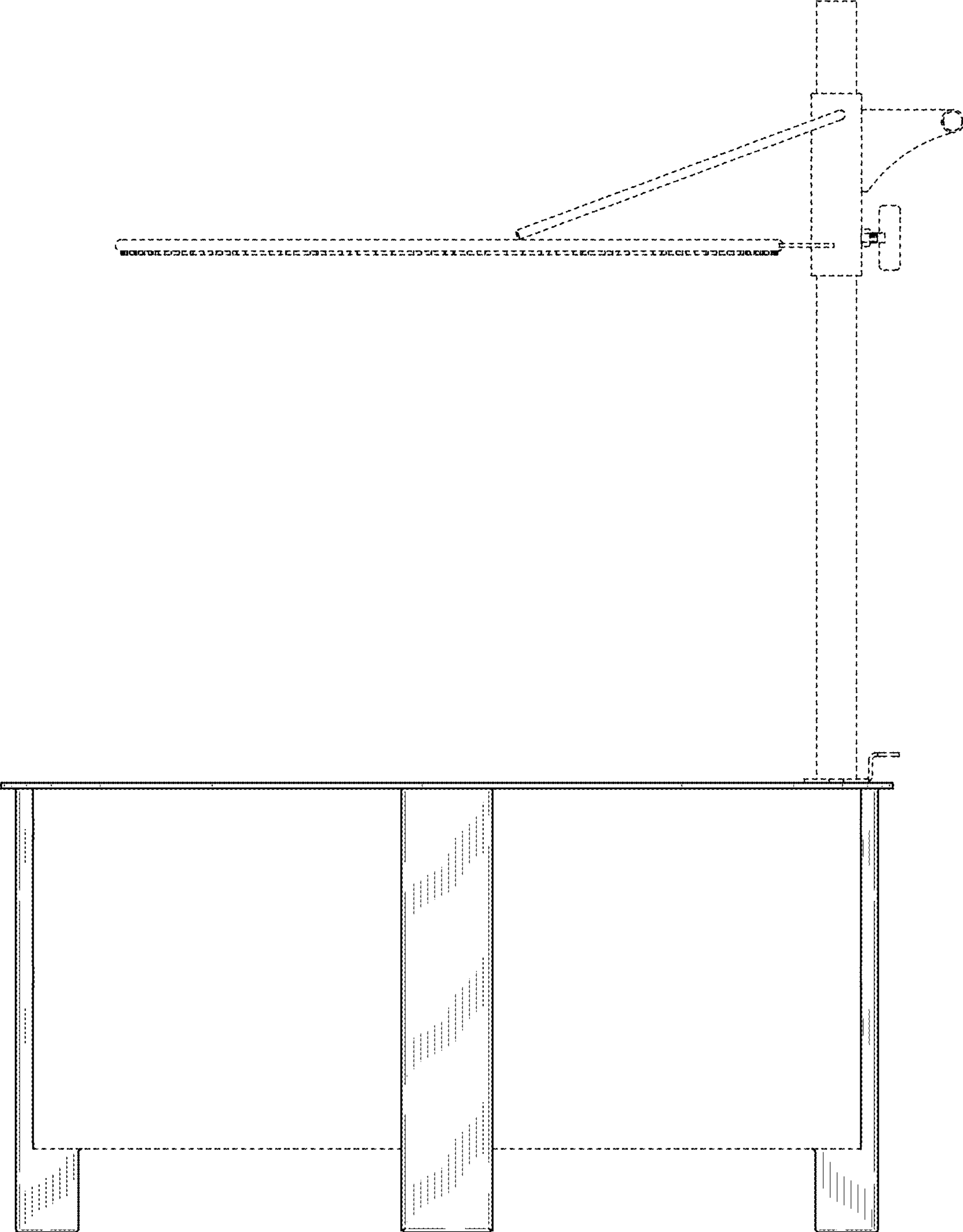


FIG. 4

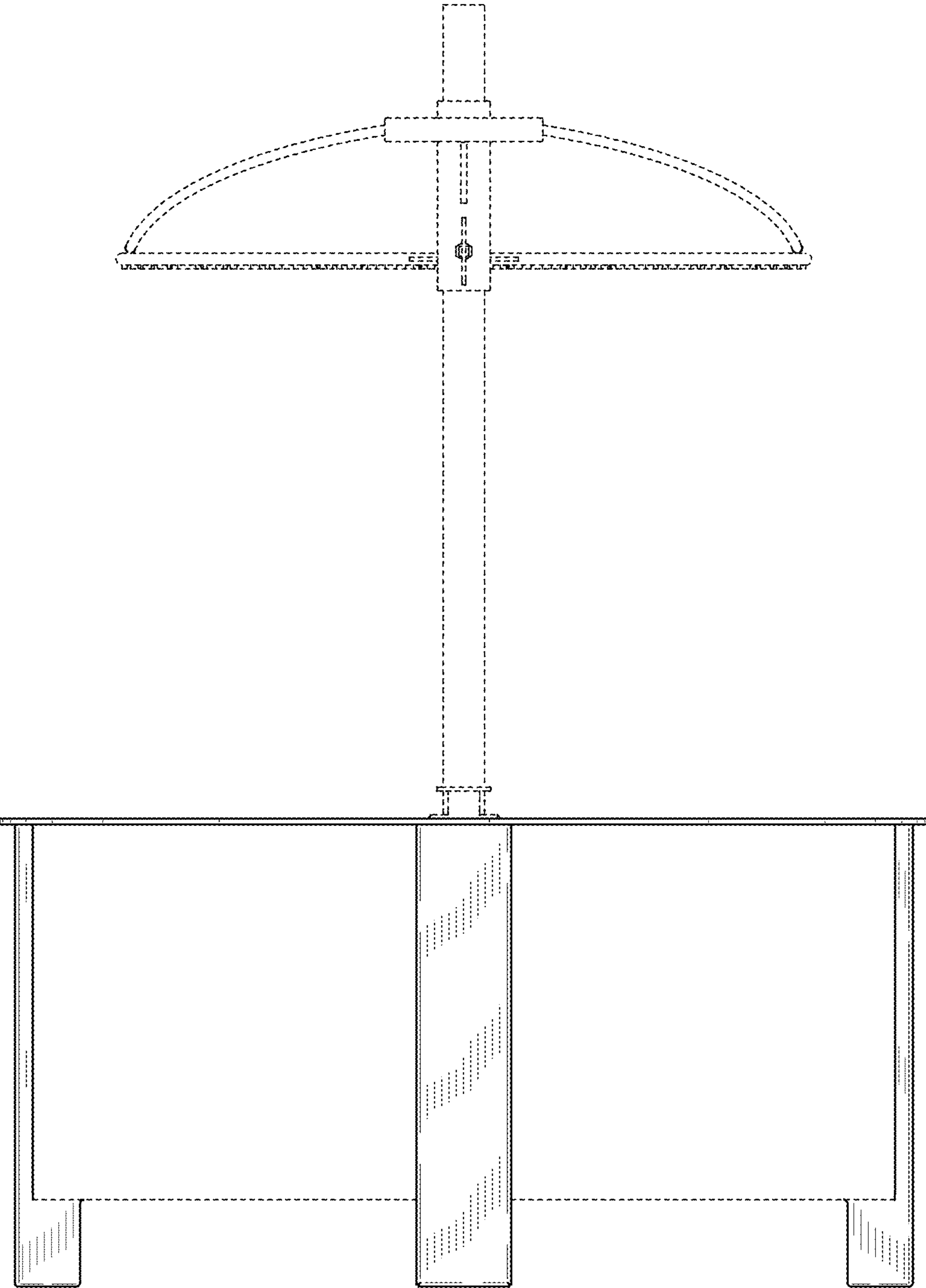


FIG. 5



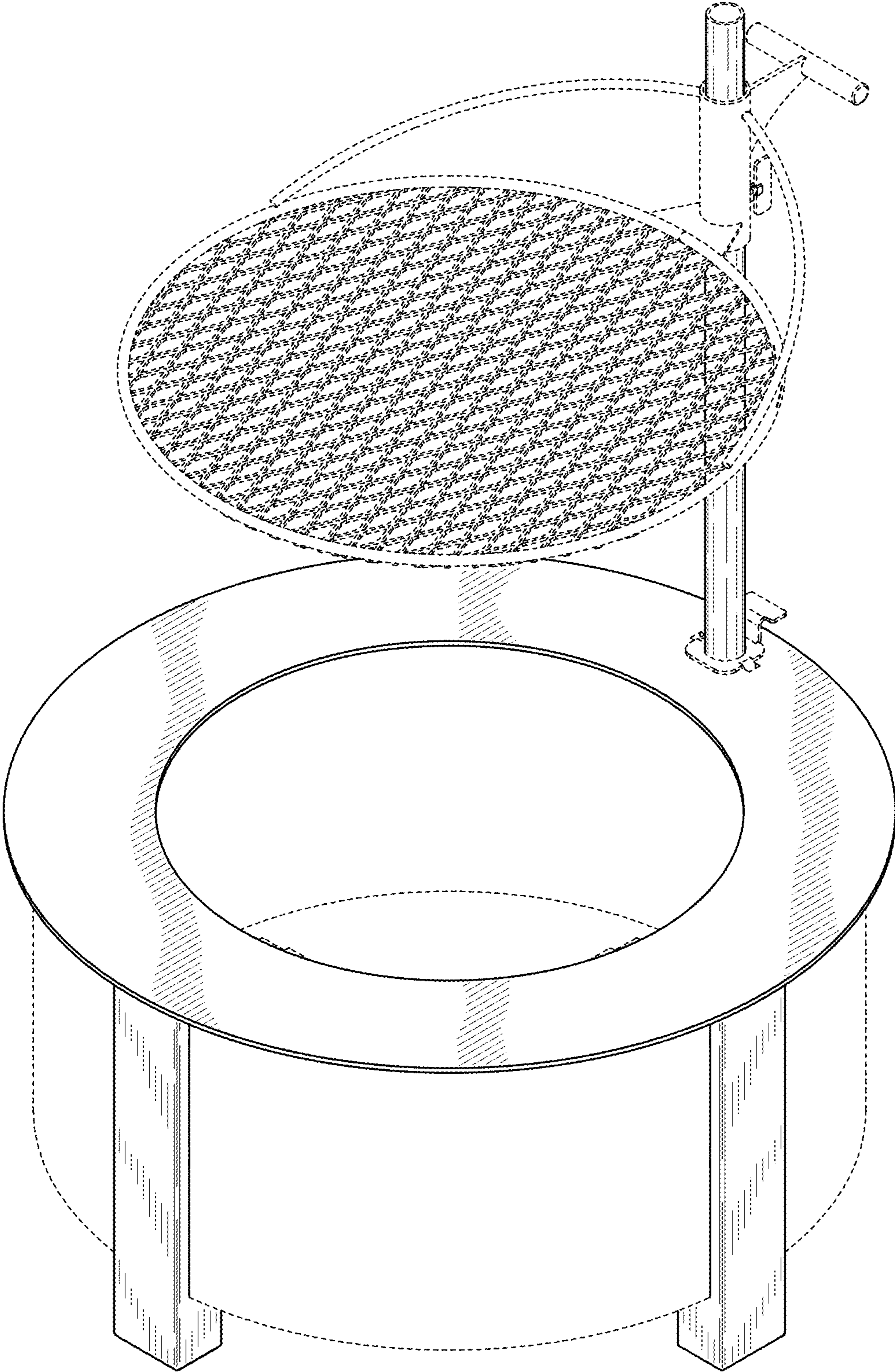


FIG. 6

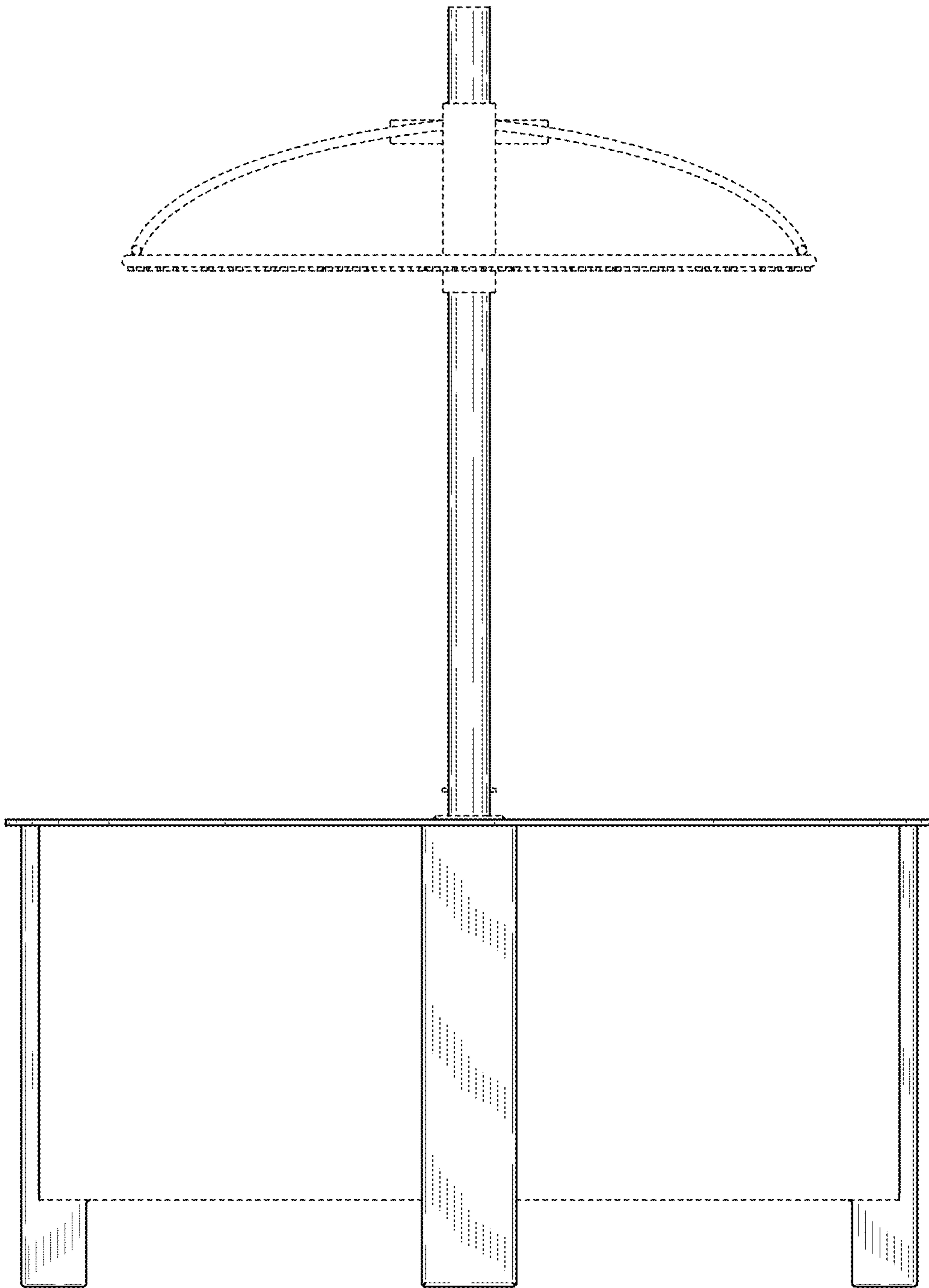


FIG. 7

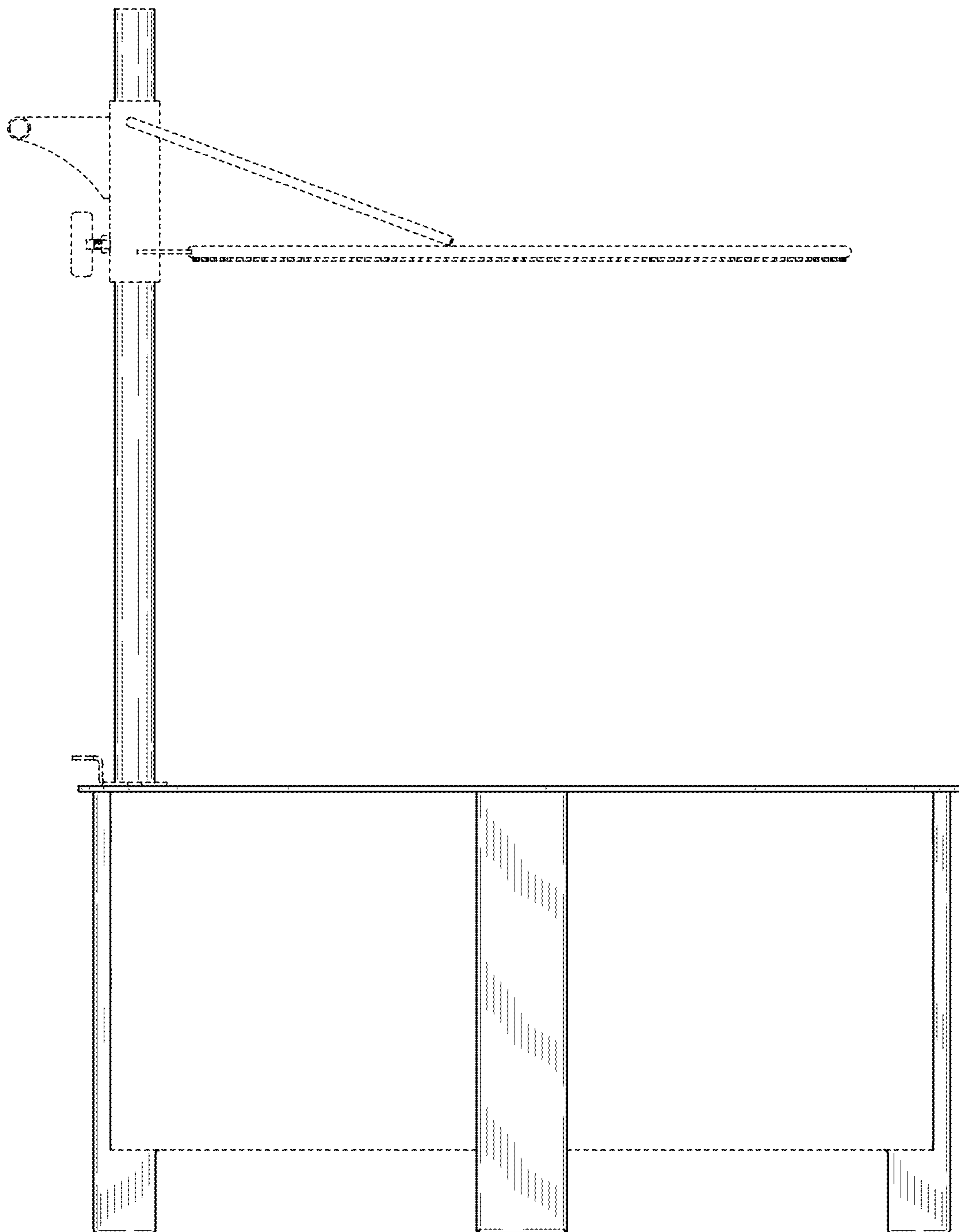


FIG. 8

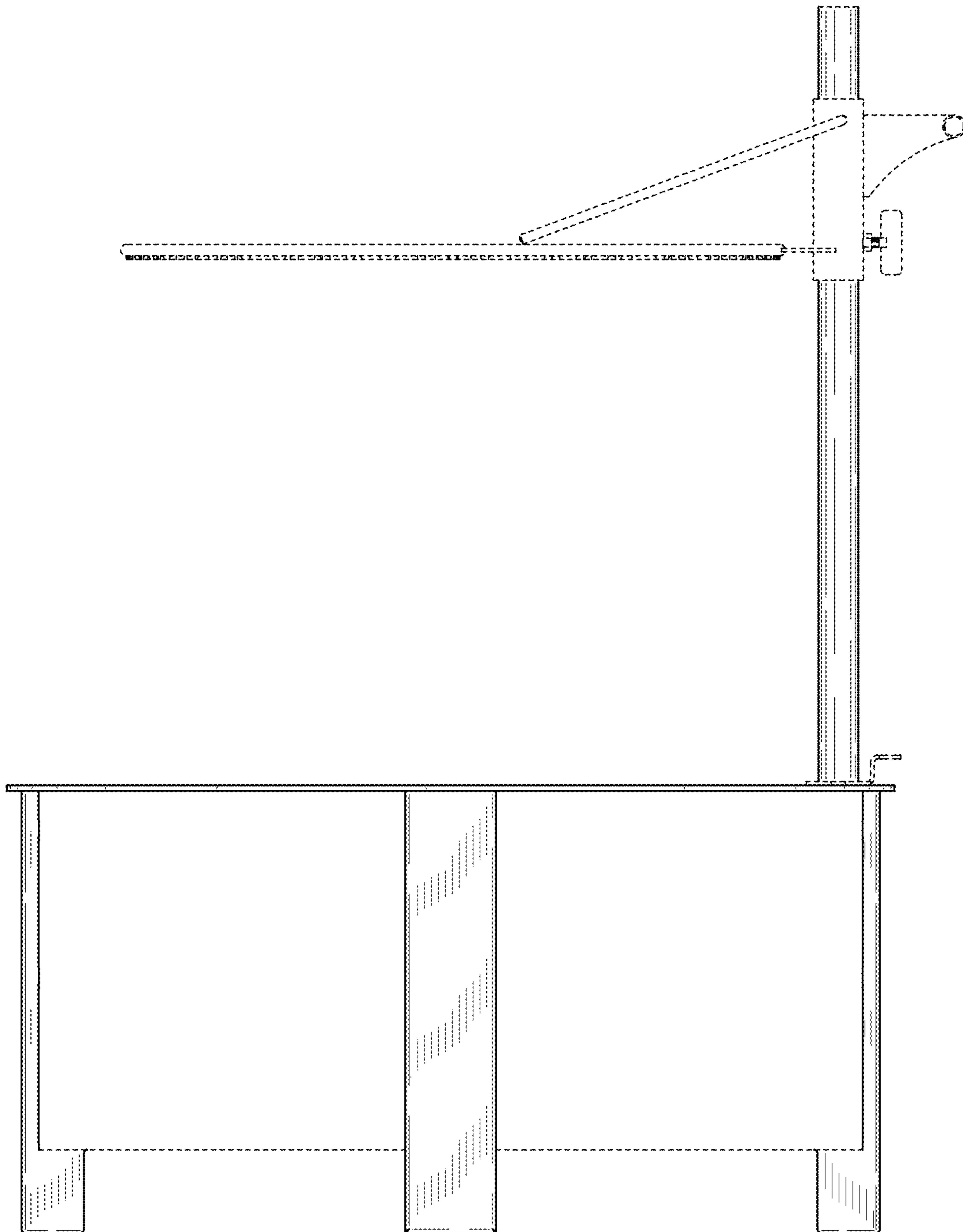


FIG. 9



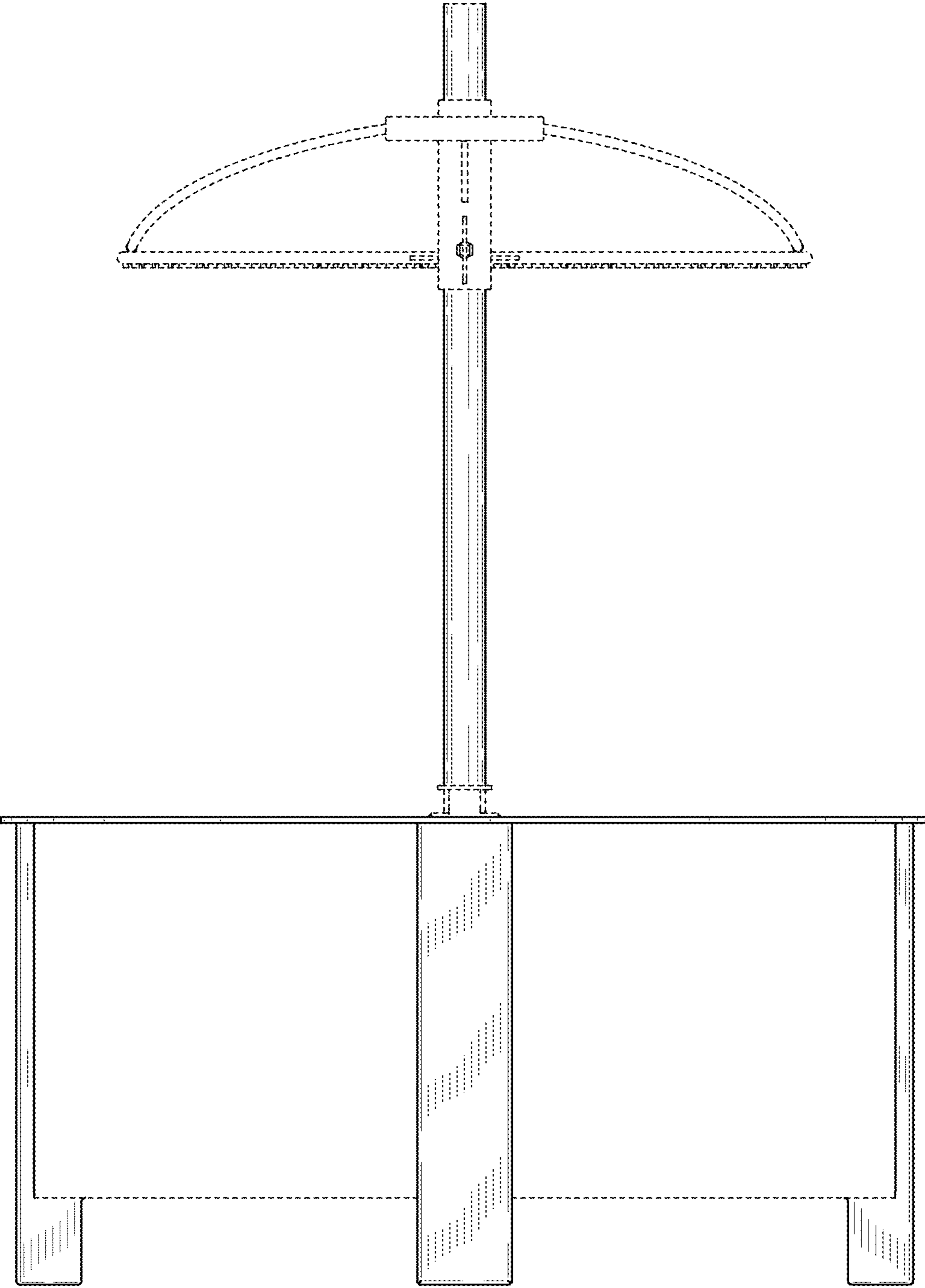


FIG. 10