



US0D1039650S

(12) **United States Design Patent**
Ahmed

(10) **Patent No.: US D1,039,650 S**

(45) **Date of Patent: ** Aug. 20, 2024**

(54) **GLIDE BAIT ARRANGEMENT OF A WEIGHT, A SPRING, AND A HEAD RING**

(71) Applicant: **Fahad Ahmed**, Santa Clara, CA (US)

(72) Inventor: **Fahad Ahmed**, Santa Clara, CA (US)

(**) Term: **15 Years**

(21) Appl. No.: **29/842,413**

(22) Filed: **Jun. 13, 2022**

Related U.S. Application Data

(63) Continuation-in-part of application No. 16/876,676, filed on May 18, 2020, now Pat. No. 11,412,723.

(51) **LOC (14) Cl.** **22-05**

(52) **U.S. Cl.**
USPC **D22/134**

(58) **Field of Classification Search**
USPC D22/125-129, 132-134, 143, 149
CPC A01K 85/00; A01K 85/011; A01K 85/012;
A01K 85/005; A01K 85/013
See application file for complete search history.

(56) **References Cited**

U.S. PATENT DOCUMENTS

2,590,558	A *	3/1952	Mickelson	A01K 85/16	43/42
2,736,125	A *	2/1956	Perkins	A01K 85/14	43/42.34
2,932,112	A *	4/1960	Graves, Jr.	A01K 85/16	43/42.15
3,217,443	A *	11/1965	Goodman	A01K 91/06	43/42.46
4,380,132	A	4/1983	Atkinson			
5,218,780	A *	6/1993	Jacobson	A01K 83/06	43/44.4
5,333,407	A *	8/1994	Merritt	A01K 83/06	43/44.4
5,950,351	A *	9/1999	Walker	A01K 83/06	43/44.4

6,115,956 A * 9/2000 Firmin A01K 85/00 43/42.24

D458,335 S * 6/2002 Bambacigno D22/126

D466,180 S * 11/2002 Bambacigno D22/126

(Continued)

OTHER PUBLICATIONS

Bassdash SwimShad Glide Baits Jointed SwimBait Bass Pike Salmon Trout Muskie Fishing Lure,3-Pack, Retrieved from Amazon, Retrieved on Nov. 3, 2021 <URL: <https://www.amazon.com/Bassdash-SwimShad-Jointed-Swimbait-Fishing/dp/B09MN634HT>>.

(Continued)

Primary Examiner — Catherine R Oliver-Garcia

(57) **CLAIM**

The ornamental design for a glide bait arrangement of a weight, a spring, and a head ring, as shown and described.

DESCRIPTION

FIG. 1 is a top-front-left perspective view for an arrangement of a weight, a spring, and a head ring for a glide bait showing my new design;

FIG. 2 is a top-rear-left perspective view thereof;

FIG. 3 is a bottom-rear-right perspective view thereof;

FIG. 4 is a front elevational view thereof;

FIG. 5 is a rear elevational view thereof;

FIG. 6 is a left elevational view thereof;

FIG. 7 is a right elevational view thereof;

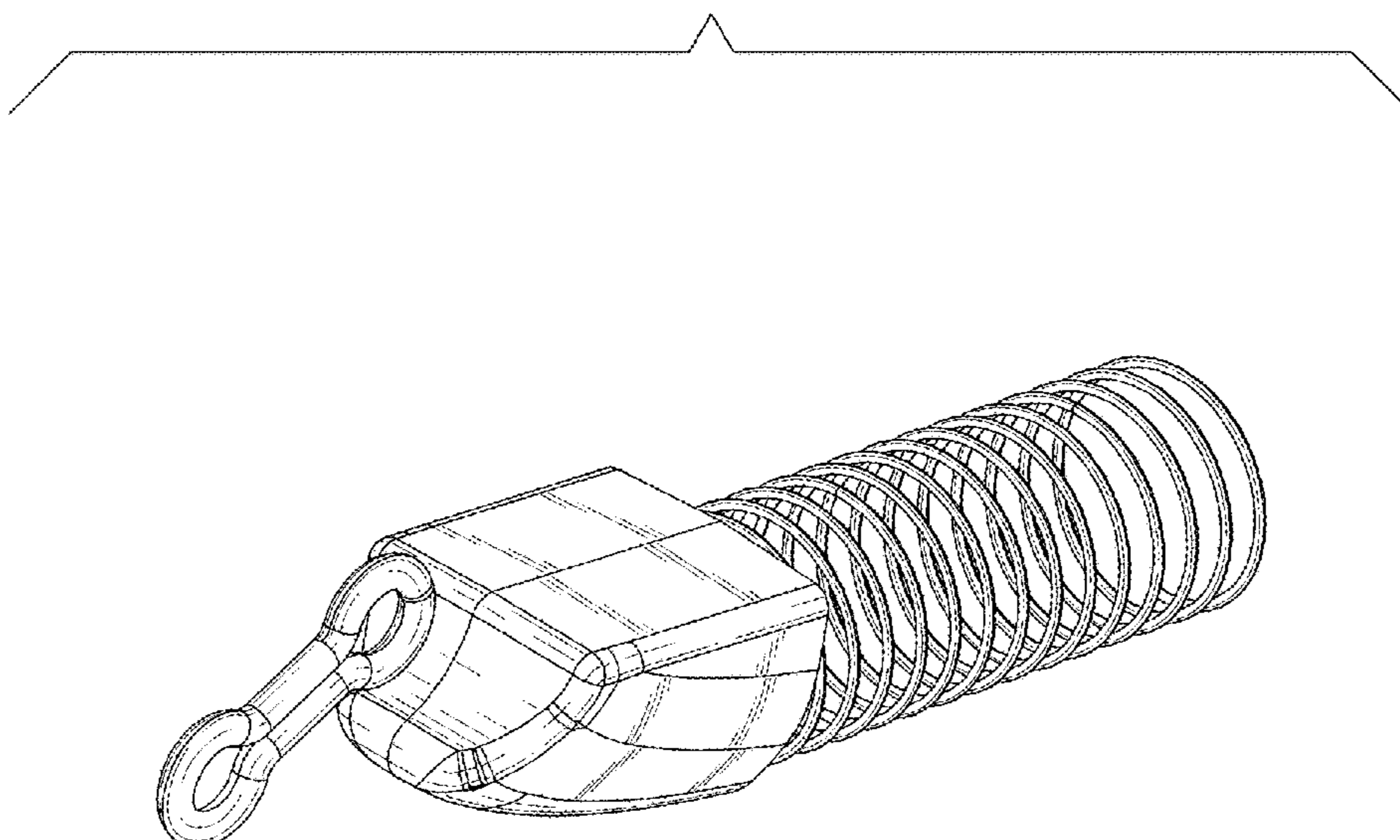
FIG. 8 is a top plan view thereof;

FIG. 9 is a bottom plan view thereof; and,

FIG. 10 is a reduced left elevational view thereof, wherein the weight, the spring, and the head ring are arranged into a glide bait.

The broken line showing a housing of a glide bait in FIG. 10 is included for the purpose of illustrating environmental structure and forms no part of the claimed design.

1 Claim, 10 Drawing Sheets



(56)

References Cited

U.S. PATENT DOCUMENTS

6,718,684 B2 4/2004 Yong-Set
7,712,245 B1 5/2010 Jarboe
D627,854 S * 11/2010 Chaumont D22/126
D638,508 S * 5/2011 Somogyi D22/126
D770,591 S * 11/2016 Szoke, Jr. D22/126
D869,600 S * 12/2019 Helfenbein D22/128
11,083,181 B2 8/2021 Priore
D956,920 S * 7/2022 Hjort-Gregersen D22/127
D987,020 S * 5/2023 He D22/127

OTHER PUBLICATIONS

Sfeexun Lifelike 4 Segment Big Giant Sinking Fishing Bass Lures
Artificial Hard Bait Swim-bait for Fishing, Great for Fisherman Dad
Gift, Retrieved from Amazon, Retrieved on Nov. 3, 2021 <URL:
<https://www.amazon.com/Sfeexun-Lifelike-Artificial-Swimbait-Fisherman/dp/B07G5SJRFX>>.

* cited by examiner

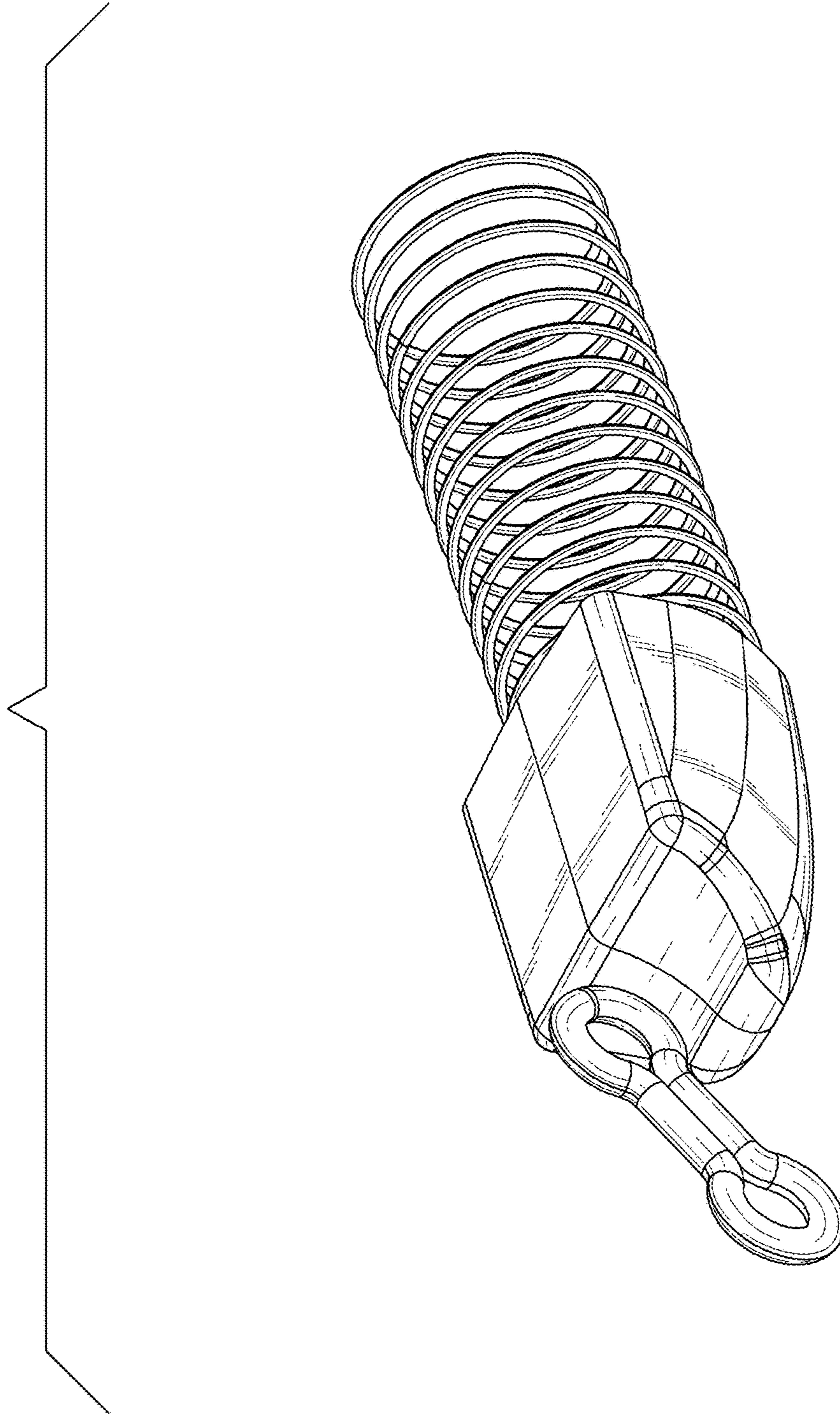


FIG. 1

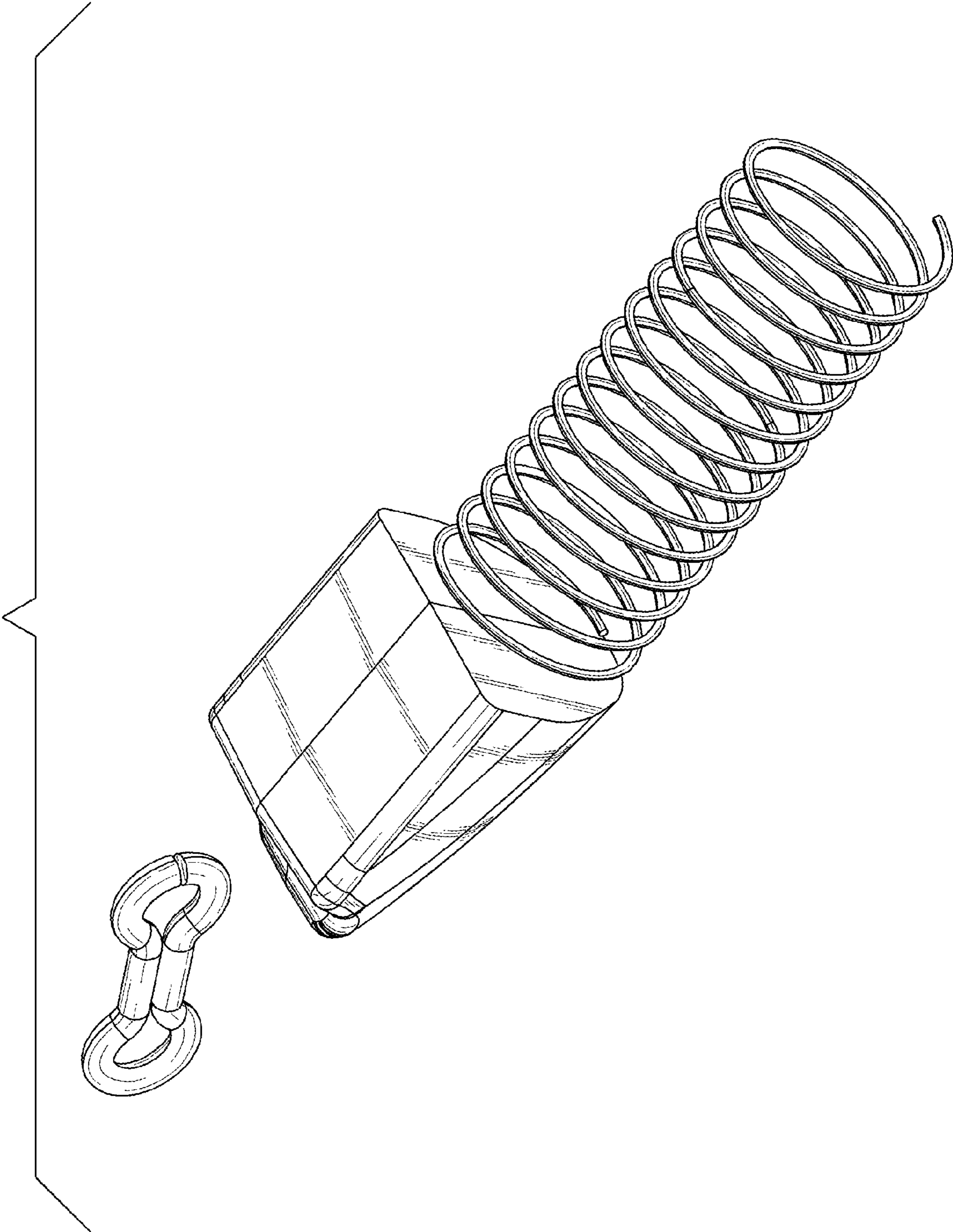


FIG. 2

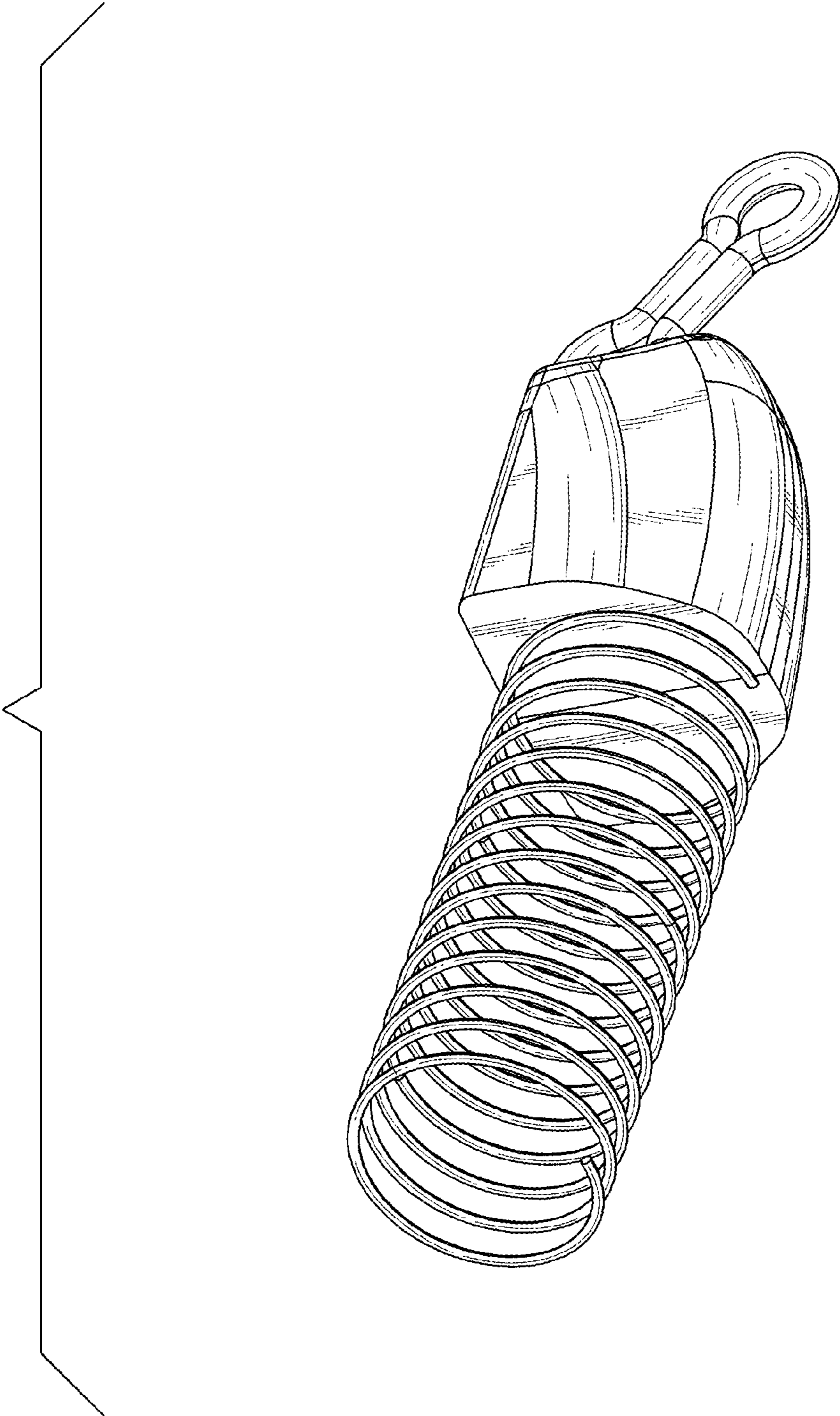


FIG. 3

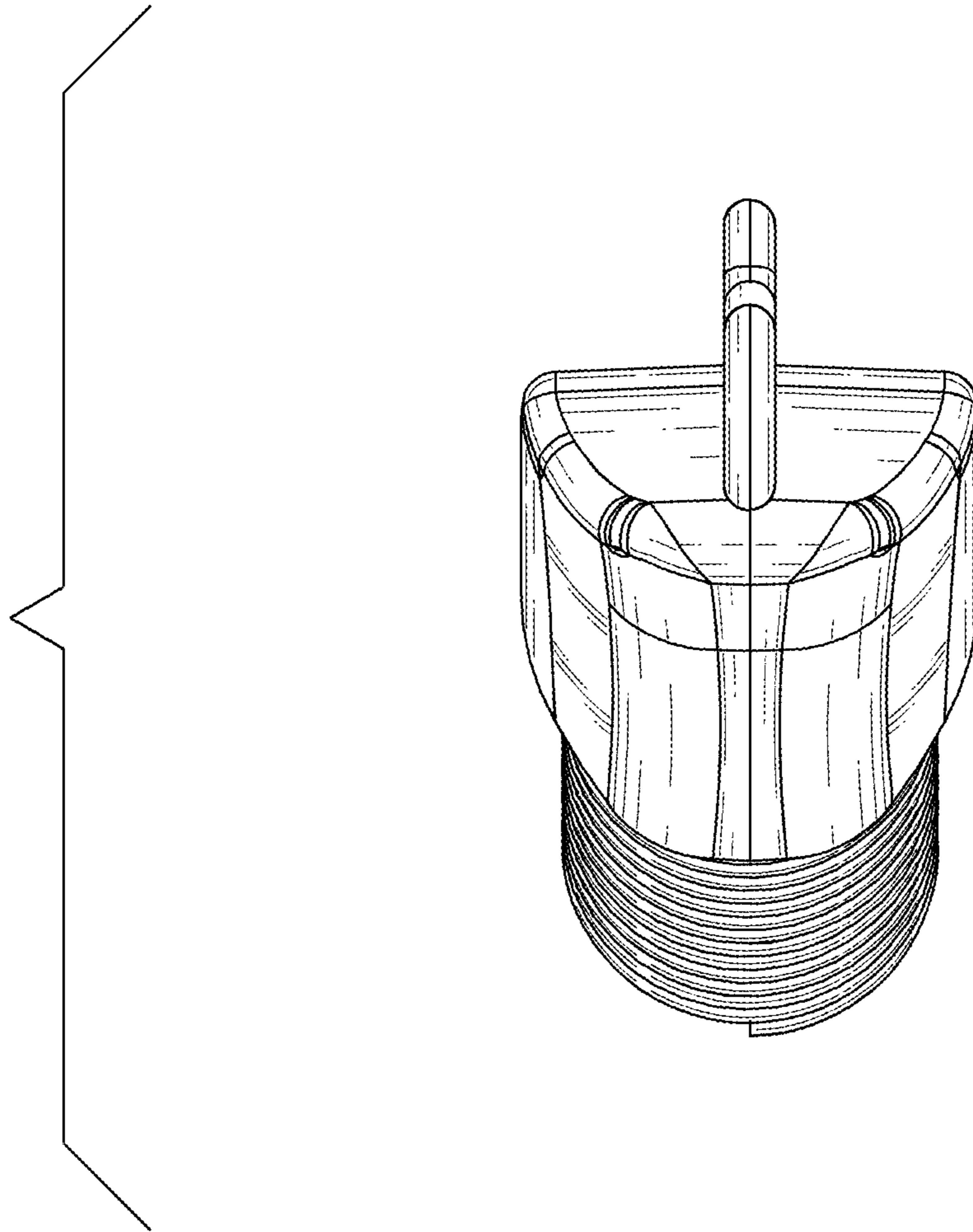


FIG. 4

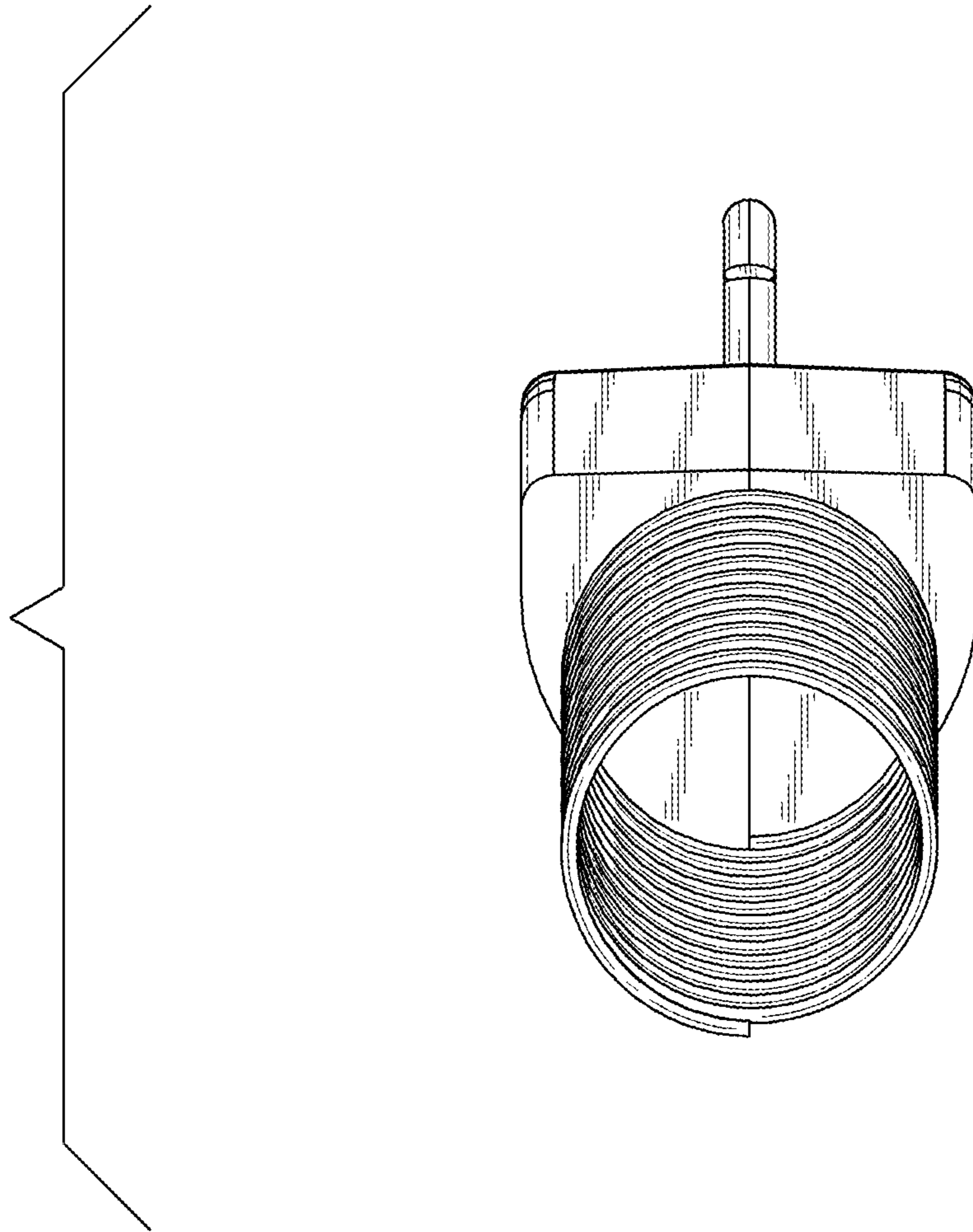


FIG. 5

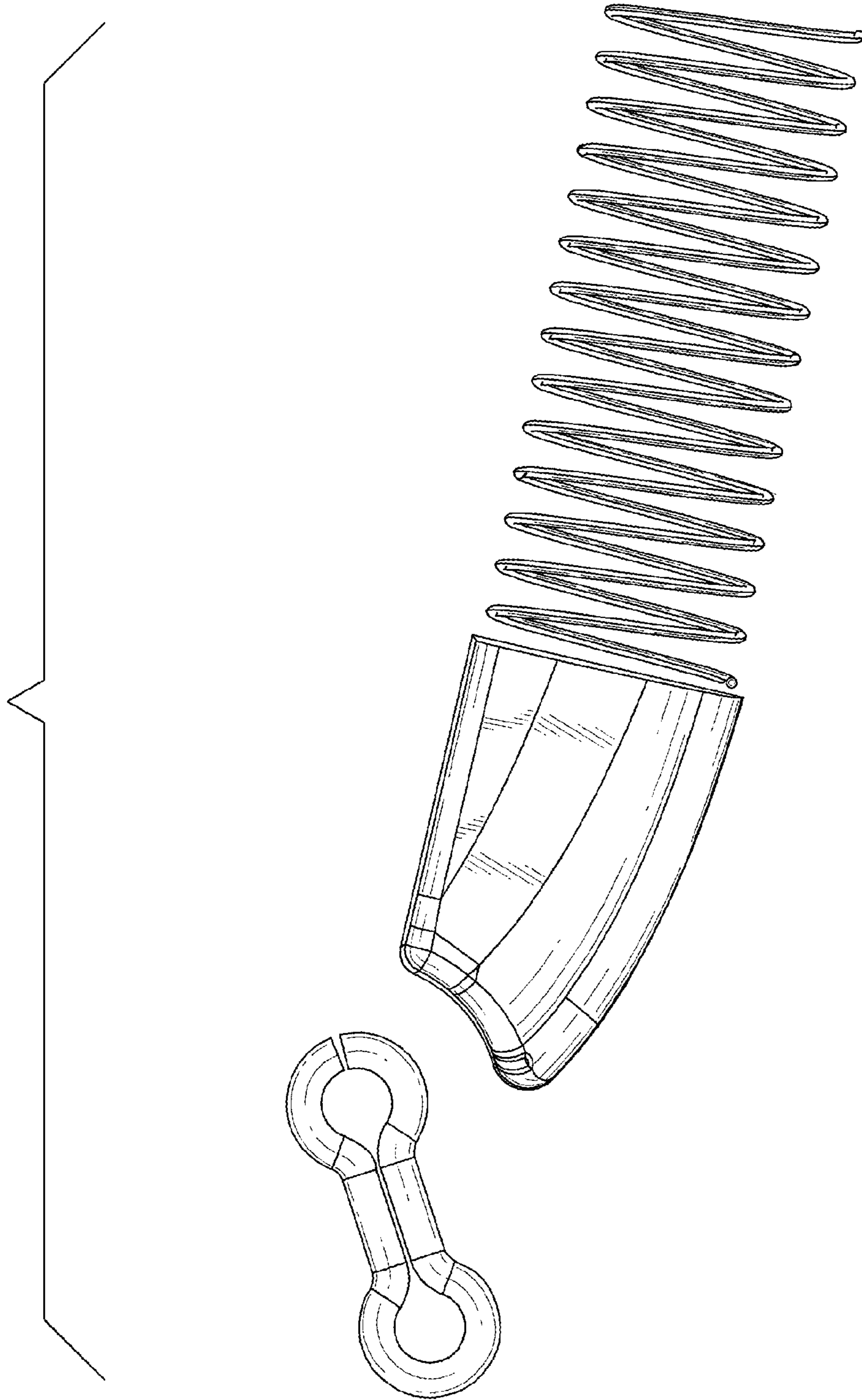


FIG. 6

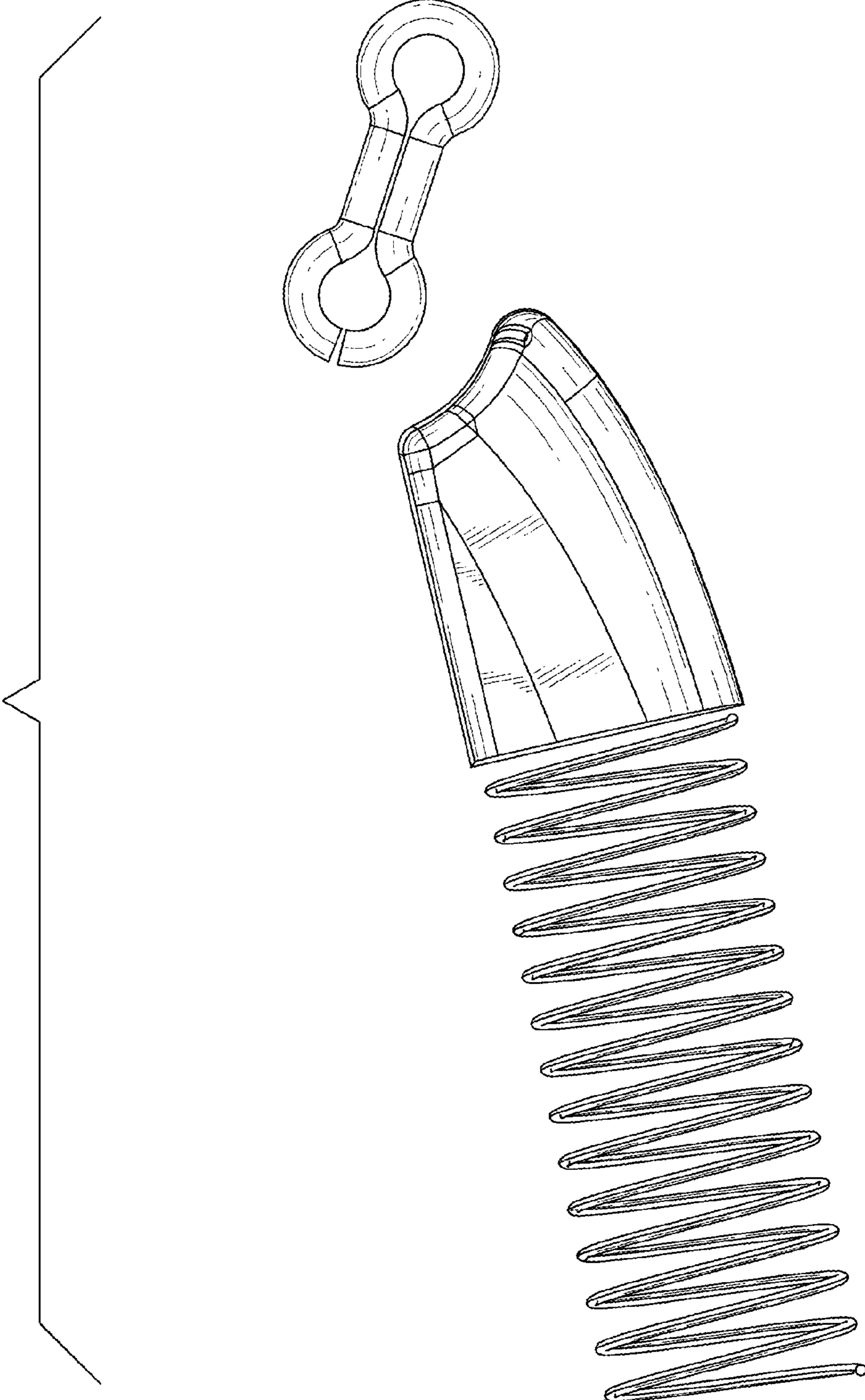


FIG. 7

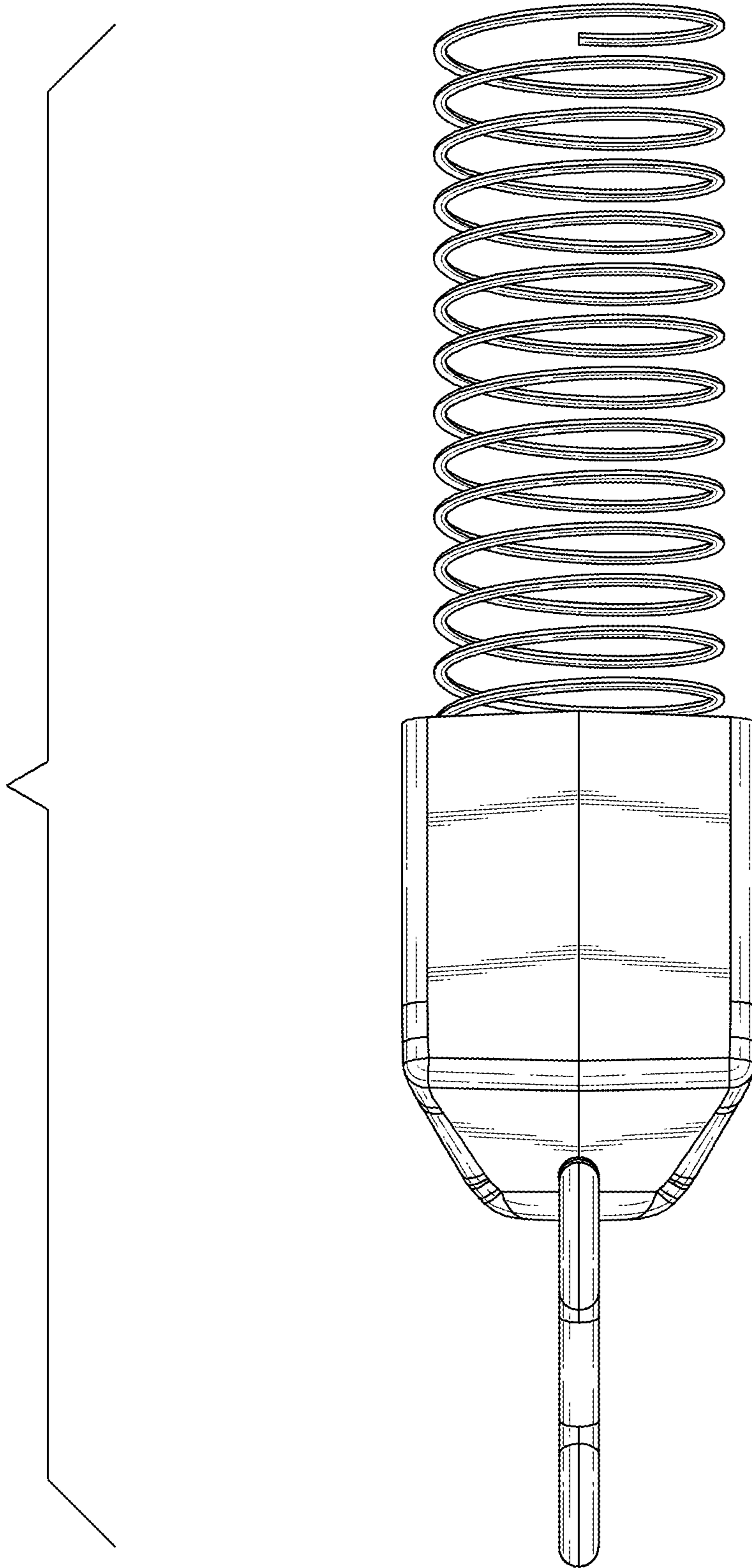


FIG. 8

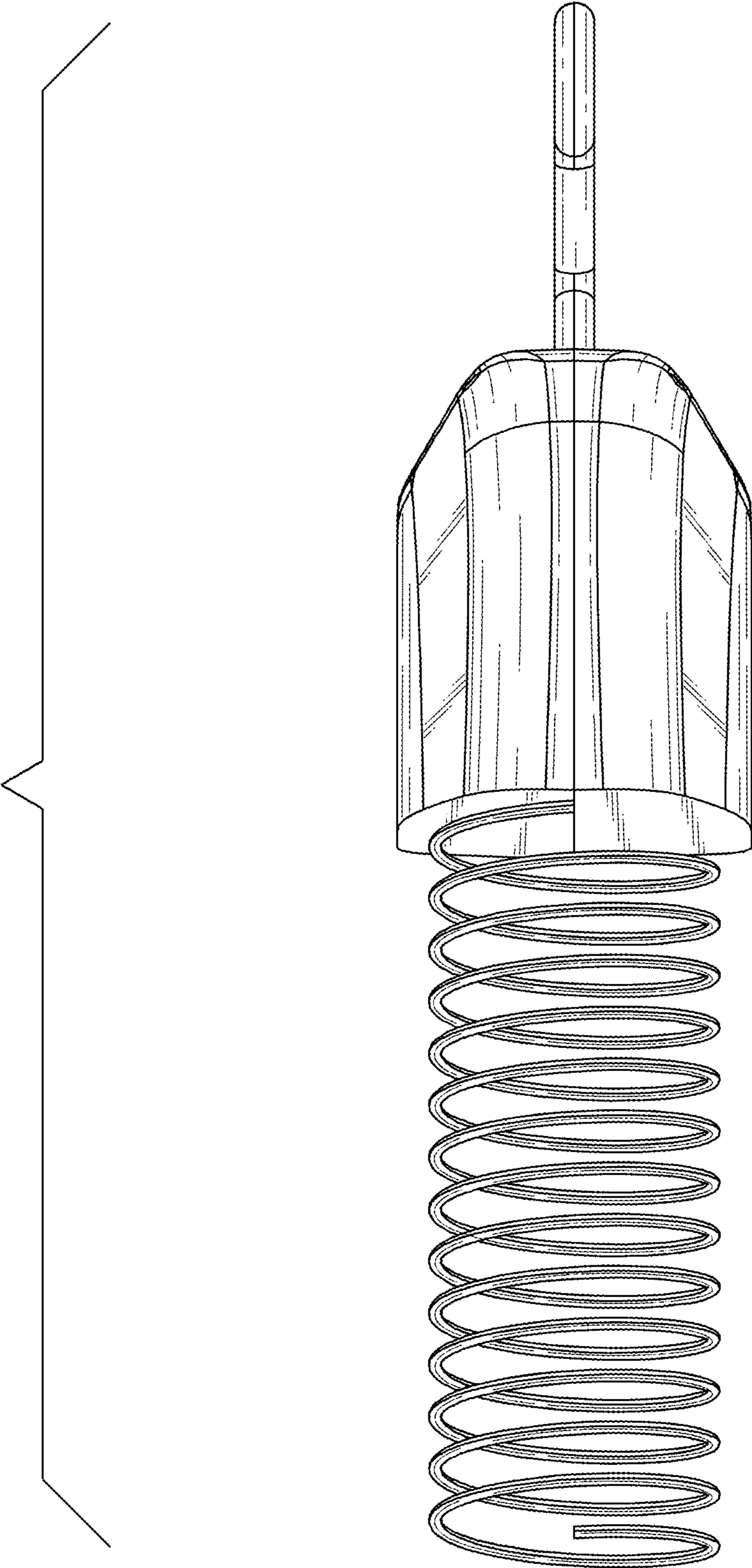


FIG. 9

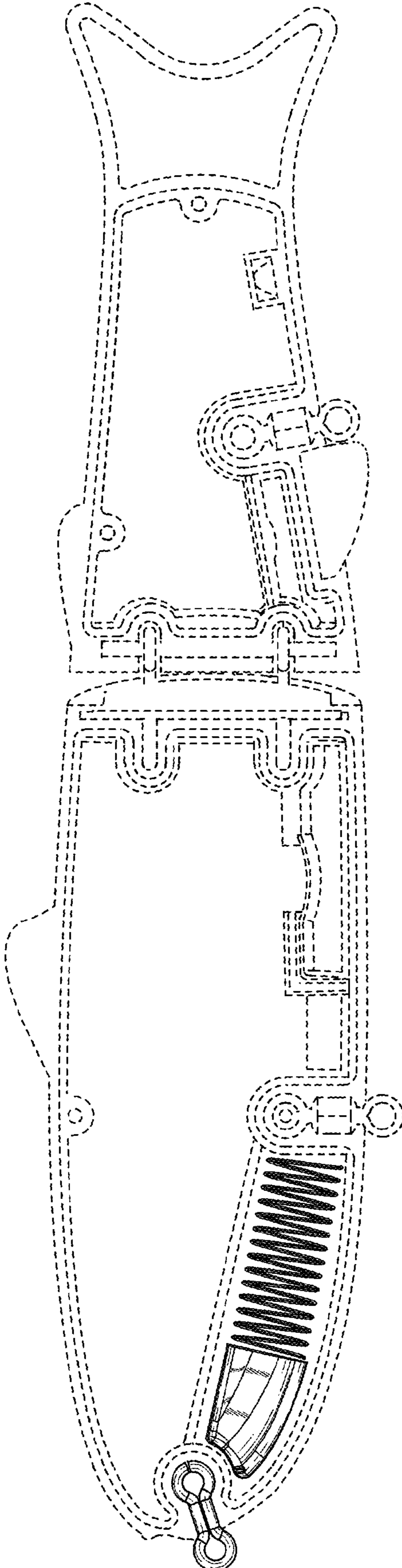


FIG. 10