



US0D1039645S

(12) **United States Design Patent** (10) **Patent No.:** **US D1,039,645 S**
Cerovic et al. (45) **Date of Patent:** **** Aug. 20, 2024**

(54) **PROJECTILE CASSETTE**
(71) Applicant: **Wrap Technologies, Inc.**, Tempe, AZ (US)
(72) Inventors: **Milan Cerovic**, Tempe, AZ (US); **David T. Richter**, Tempe, AZ (US)
(73) Assignee: **Wrap Technologies, Inc.**, Tempe, AZ (US)

D552,207 S 10/2007 Rhee
D566,221 S * 4/2008 Collins D22/108
D570,948 S 6/2008 Cerovic
D573,223 S 7/2008 Kostal
(Continued)

(**) Term: **15 Years**

FOREIGN PATENT DOCUMENTS

(21) Appl. No.: **29/802,113**

AU 202210537 3/2022
AU A 4/2022
00202200363-0001
(Continued)

(22) Filed: **Aug. 3, 2021**

OTHER PUBLICATIONS

(51) **LOC (14) Cl.** **22-01**

CBS—BolaWrap, YouTube—Wrap. Publication Date: Aug. 25, 2023. Date Accessed: Nov. 15, 2023. Retrieved from YouTube URL: <https://www.youtube.com/watch?v=kcWtoeRI4cU> (Year: 2023).*
(Continued)

(52) **U.S. Cl.** **D22/100**
USPC **D22/100**

(58) **Field of Classification Search**
USPC D13/118, 184; D22/100, 117, 199
CPC F42B 12/66; F41H 13/0006
See application file for complete search history.

Primary Examiner — S. Bryan Reinholdt, Jr.
Assistant Examiner — Kaitlan Walker
(74) *Attorney, Agent, or Firm* — Thorpe North & Western; Jason R. Jones

(56) **References Cited**

(57) **CLAIM**

U.S. PATENT DOCUMENTS

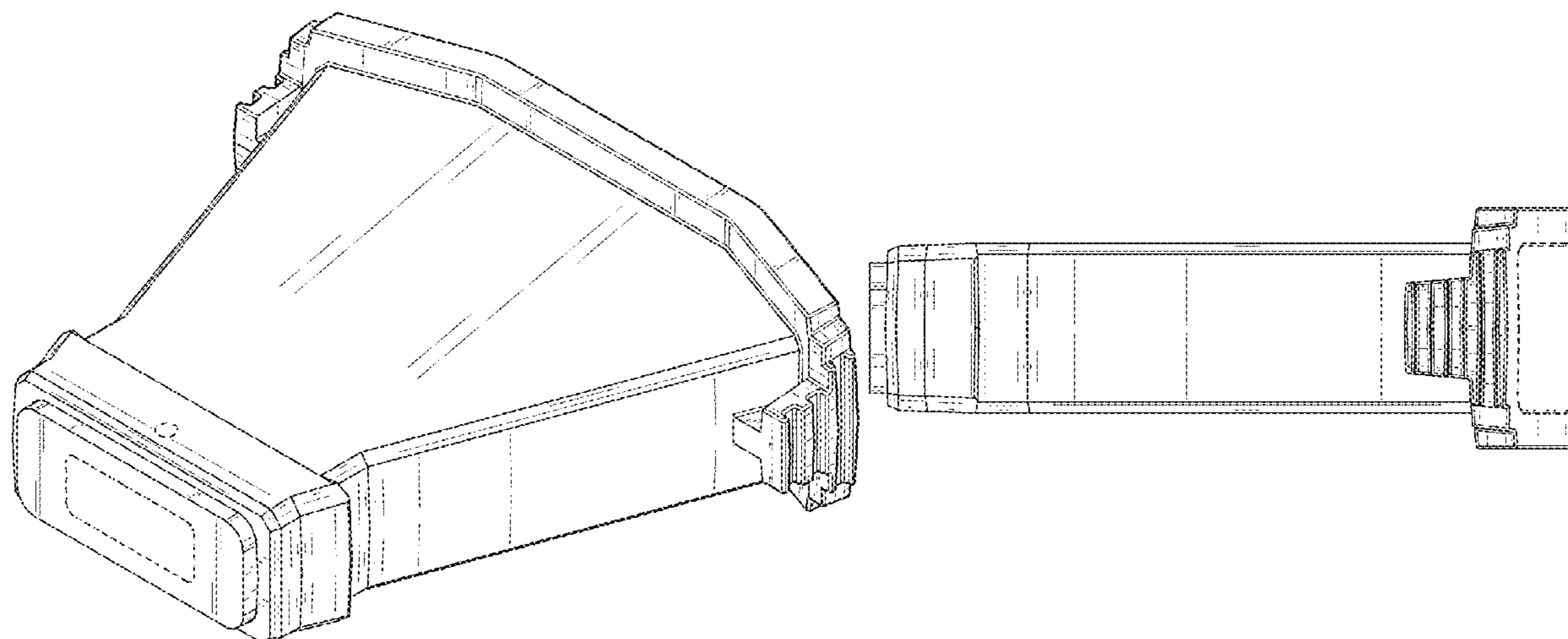
The ornamental design for the projectile cassette, as shown and described.

D299,507 S	1/1989	Hwa	
D301,228 S	5/1989	Culbertson et al.	
D323,870 S	2/1992	Kaufman	
D344,927 S	3/1994	Sands et al.	
D357,966 S	2/1995	Gunby	
D371,417 S	7/1996	Franks	
D399,821 S	10/1998	Tyneski et al.	
D448,002 S	9/2001	Yang	
D451,165 S	11/2001	Fleischhauer	
D470,212 S	2/2003	Cardwell	
D489,041 S *	4/2004	Chen D13/184
6,807,762 B1	10/2004	Edwards	
D504,659 S	5/2005	Voli et al.	
D536,399 S	2/2007	Chen	
D539,376 S	3/2007	Rhee	
D539,866 S	4/2007	Rhee	
D551,668 S	9/2007	Newby et al.	

DESCRIPTION

FIG. 1 is a perspective view of a projectile cassette in accordance with our invention;
FIG. 2 is a top view thereof, an opposing bottom view being a mirror image thereof;
FIG. 3 is a side view thereof, an opposing side view being a mirror image thereof;
FIG. 4 is a front view thereof; and,
FIG. 5 is a rear view thereof.
The dashed lines in the drawings show environmental structure and form no part of the claimed design.

1 Claim, 3 Drawing Sheets



(56)

References Cited

U.S. PATENT DOCUMENTS

D585,519 S 1/2009 Pennington
 D602,109 S 10/2009 Cerovic et al.
 D611,115 S 3/2010 Pennington
 D613,143 S 4/2010 Aglassinger
 D651,679 S 1/2012 Klug
 8,183,830 B2 5/2012 Law
 D661,771 S 6/2012 Nawaz
 D670,242 S 11/2012 Cobbett et al.
 D680,061 S 4/2013 Jiang et al.
 D681,549 S 5/2013 Jackson
 D702,312 S 4/2014 Ying
 D708,681 S * 7/2014 Italia D21/573
 D731,612 S 6/2015 Ying
 D736,885 S 8/2015 Swan
 D742,817 S 11/2015 Lammers-Meis et al.
 D742,824 S 11/2015 Hsu
 D743,332 S 11/2015 Ju et al.
 D747,522 S 1/2016 Sheikh
 D777,125 S 1/2017 Eder
 D784,484 S 4/2017 Nawaz
 D791,901 S 7/2017 Swan
 D798,415 S 9/2017 Lin
 D806,824 S 1/2018 Fan
 D820,940 S 6/2018 Norris et al.
 D822,785 S 7/2018 Norris
 D835,573 S 12/2018 Chen
 10,502,526 B2 12/2019 Norris et al.
 D885,511 S 5/2020 Zhang
 D889,591 S 7/2020 Fan
 D890,288 S 7/2020 Tang
 D891,363 S 7/2020 Roberts et al.
 D900,021 S 10/2020 Shen et al.
 10,890,419 B2 1/2021 Norris
 10,942,012 B2 3/2021 Sun et al.
 10,948,269 B2 3/2021 Norris
 D925,141 S 7/2021 Lai
 11,287,226 B2 * 3/2022 Norris F41H 13/0006
 11,353,287 B1 7/2022 Norris
 D964,927 S 9/2022 Deng
 D984,549 S * 4/2023 Pearce D21/573
 D995,703 S 8/2023 Clemons et al.
 2002/0041479 A1 4/2002 Hsieh et al.
 2006/0068274 A1 3/2006 Lee et al.
 2010/0259875 A1 10/2010 Yang et al.
 2010/0296222 A1 * 11/2010 Nawaz F41B 15/04
 361/232
 2010/0331042 A1 12/2010 Yang et al.
 2016/0164062 A1 6/2016 Liu et al.
 2018/0342891 A1 11/2018 Nook et al.
 2019/0113308 A1 * 4/2019 Norris F42B 12/56
 2020/0096297 A1 * 3/2020 Norris F41H 13/0025

2020/0191531 A1 * 6/2020 Norris F41G 3/06
 2020/0191532 A1 * 6/2020 Norris F42B 12/68
 2020/0300584 A1 9/2020 Sun et al.
 2022/0170720 A1 6/2022 Clemons et al.
 2022/0190426 A1 6/2022 Zeiler et al.
 2022/0268556 A1 * 8/2022 Norris F41A 21/06
 2023/0160660 A1 5/2023 Richter et al.
 2023/0296358 A1 * 9/2023 Cerovic F41H 13/0006
 102/502

FOREIGN PATENT DOCUMENTS

CA	209462	7/2023
EP	008820492-0001	1/2022
EP	008820492-0002	1/2022
EP	008820492-0003	1/2022
EP	008820492-0004	1/2022
EP	008820492-0005	1/2022
EP	008820492-0006	1/2022
GB	6184761	1/2022
GB	6184762	1/2022
GB	6184763	* 1/2022
GB	6184764	* 1/2022
GB	6184765	1/2022
GB	6184766	1/2022
GB	6187463	1/2022
GB	6187464	1/2022
IL	68153	12/2021
KR	301233849.0000	12/2021
NZ	429963	3/2022
SG	30202210422 Y	1/2022
TR	202113975-0002	10/2023
TW	222705-0001	4/2022

OTHER PUBLICATIONS

Instagram post “BolaWrap Pilot Program”. 1 page, posted Aug. 24, 2022 by user “wraptechnologies.” Date Accessed: Nov. 15, 2023. Retrieved from Internet URL: <https://www.instagram.com/p/ChpL3trjX5j/> (Year: 2023).*

Instagram post “BolaWrap”. 1 page, posted Jun. 17, 2022 by user “wraptechnologies.” Retrieved from Internet URL: <https://www.instagram.com/p/Ce6F7U-g7o8/> (Year: 2022).

CBS—BolaWrap, YouTube—Wrap, Publication Date: Aug. 25, 2023. Date Accessed: Dec. 26, 2023. Retrieved from Youtube URL: <https://www.youtube.com/watch?v=kcWtoeR14cU> (Year: 2023).

Instagram post “BolaWrap Pilot Program”. 1 page, posted May 24, 2022 by user “wraptechnologies.” Date Accessed: Dec. 26, 2023. Retrieved from Internet URL: <https://www.instagram.com/p/CdIy81wg4N4/> (Year: 2023).

* cited by examiner

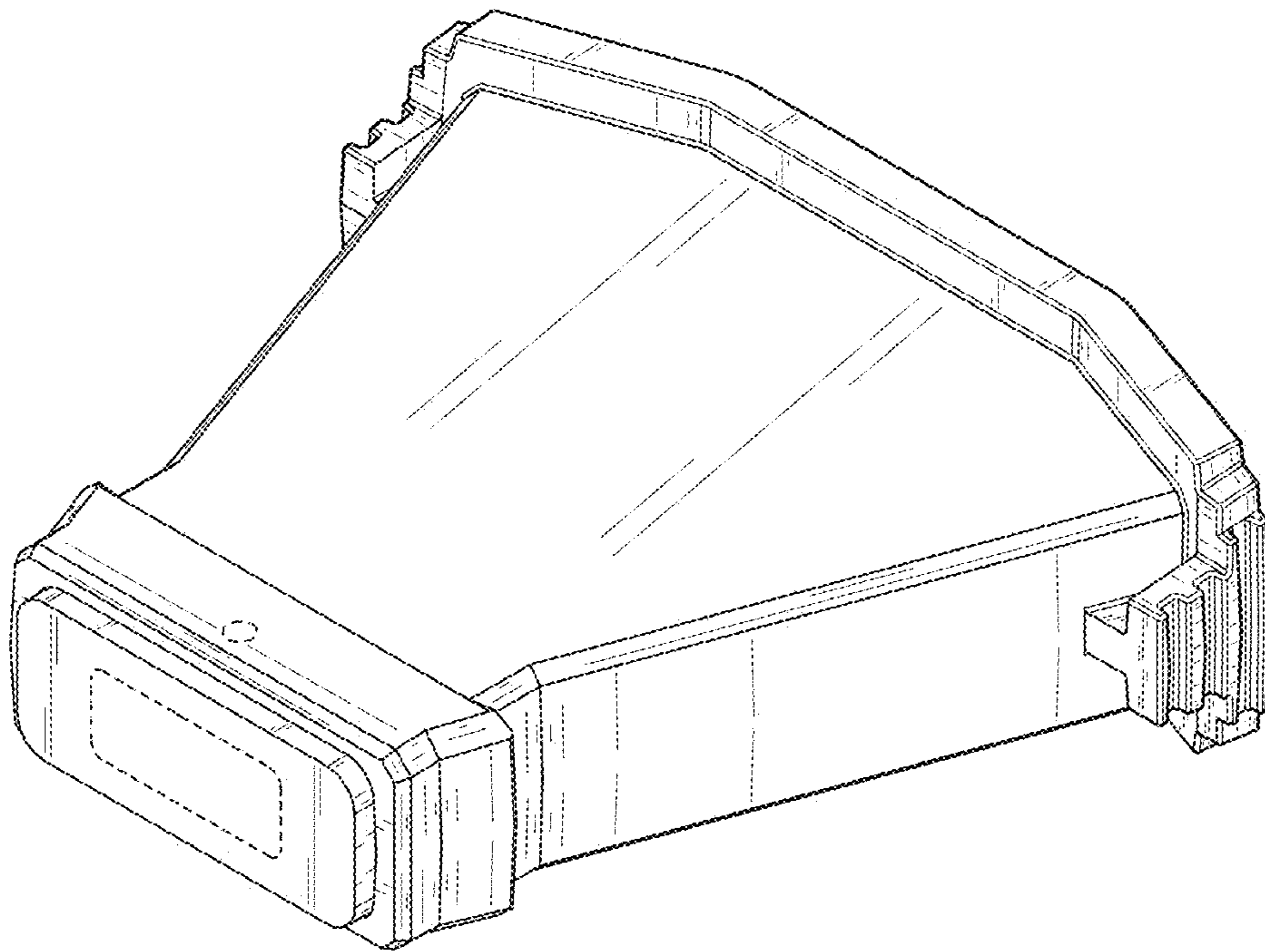


FIG. 1

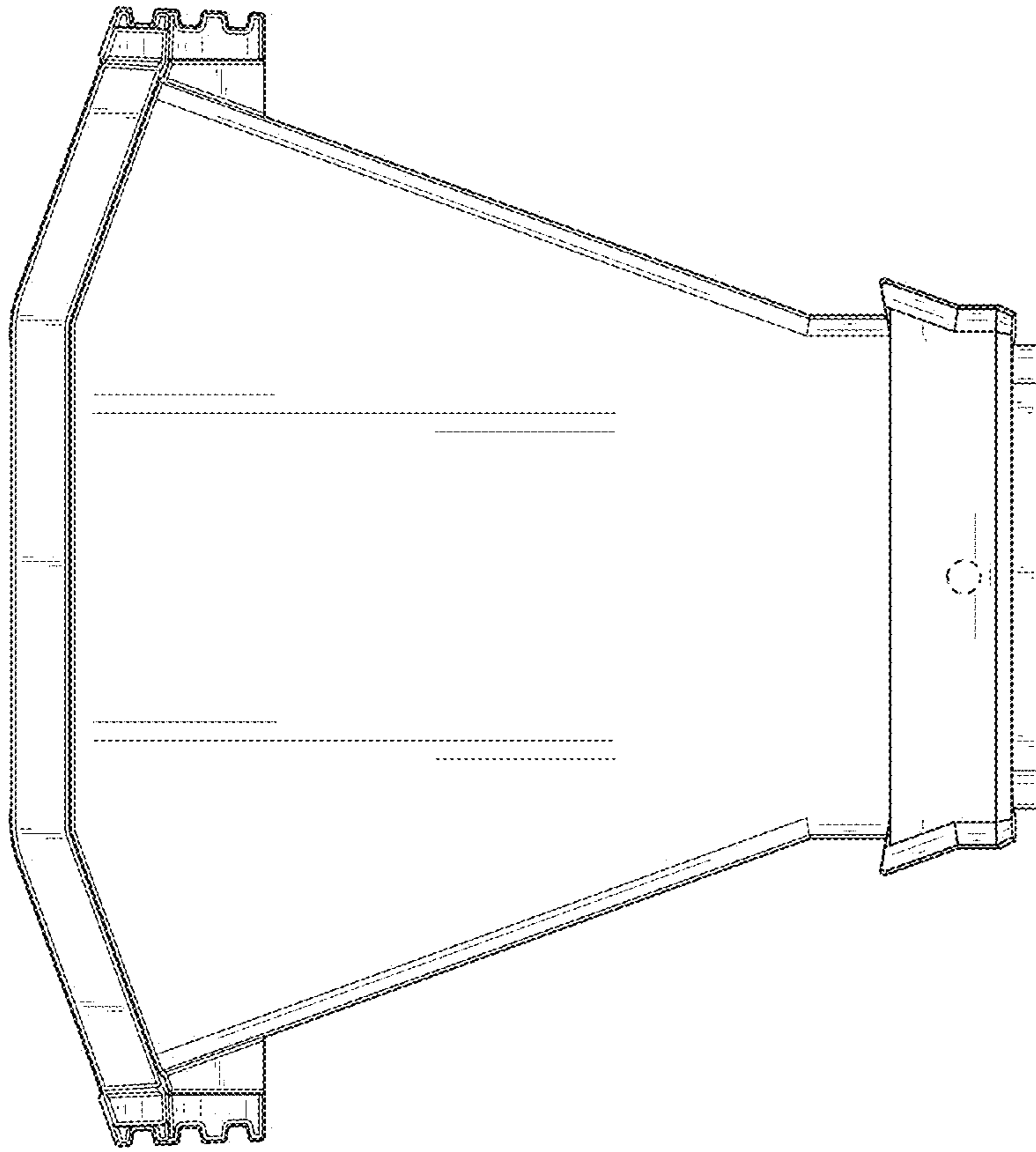


FIG. 2

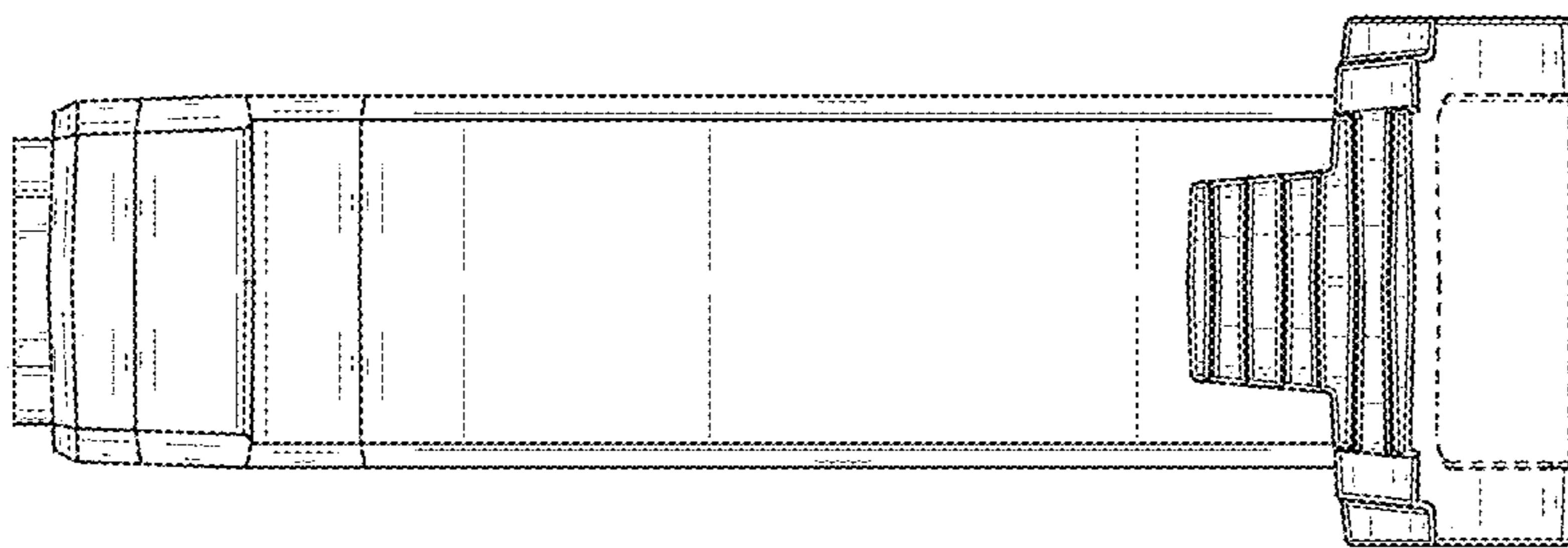


FIG. 3



FIG. 4

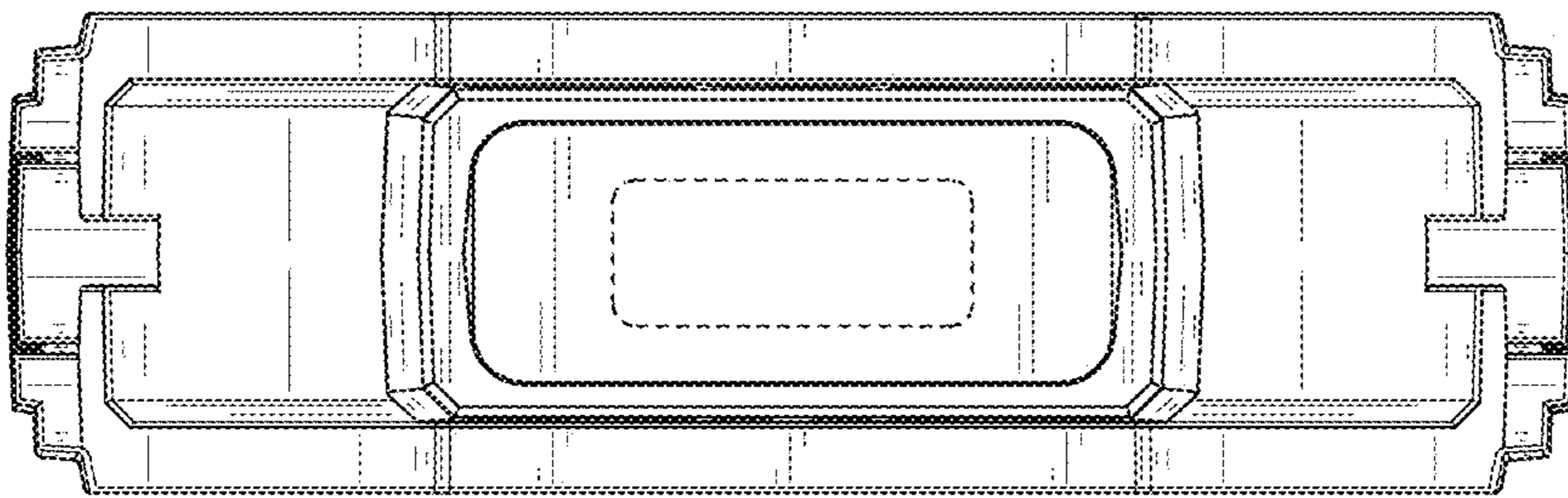


FIG. 5