



US0D1039604S

(12) **United States Design Patent** (10) **Patent No.:** **US D1,039,604 S**
Chen (45) **Date of Patent:** **** Aug. 20, 2024**

(54) **SPINNING PEN**
(71) Applicant: **Caidong Chen**, Dongguan (CN)
(72) Inventor: **Caidong Chen**, Dongguan (CN)
(**) Term: **15 Years**

D619,650 S * 7/2010 Shi D19/117
D626,994 S * 11/2010 Gerules D19/117
D645,506 S * 9/2011 Hung D19/117
D654,537 S * 2/2012 Hung D19/117
D712,964 S * 9/2014 Moon D19/117
D825,660 S * 8/2018 Hung D19/117
D851,087 S * 6/2019 Nishizawa D14/411

(Continued)

(21) Appl. No.: **29/857,695**
(22) Filed: **Oct. 25, 2022**
(51) **LOC (14) Cl.** **19-06**
(52) **U.S. Cl.**
USPC **D19/117**
(58) **Field of Classification Search**
USPC D14/411, 431, 480.3; D19/66, 81, 101,
D19/111, 115, 117, 121, 122, 130, 139,
D19/163, 164, 166, 167, 168, 169, 170,
D19/171, 173, 174, 175, 177, 178, 179,
D19/183, 186, 190, 192, 194, 195, 196,
D19/197, 199, 202, 203, 204, 901, 902,
D19/906, 914, 916, 924, 929, 932, 934,
D19/123, 126, 158; D28/7, 9, 76, 77, 86,
D28/88, 89; D27/101, 146, 162, 163;
D24/113; D26/37, 38; D20/23; D8/104;
D3/220; D9/452, 453; D10/66;
D13/108
CPC B43K 23/004; B43K 25/02; B43K 25/022;
B43K 25/024
See application file for complete search history.

OTHER PUBLICATIONS

Xiannv Spinning Pens, Amazon.com, published Aug. 31, 2022, retrieved May 30, 2024, 29857695-https://shorturl.at/HGn2E (Year: 2022).*

(Continued)

Primary Examiner — Nicole C Shiflet
Assistant Examiner — Danielle Nichole Bowly

(57) **CLAIM**

The ornamental design for a spinning pen, as shown and described.

DESCRIPTION

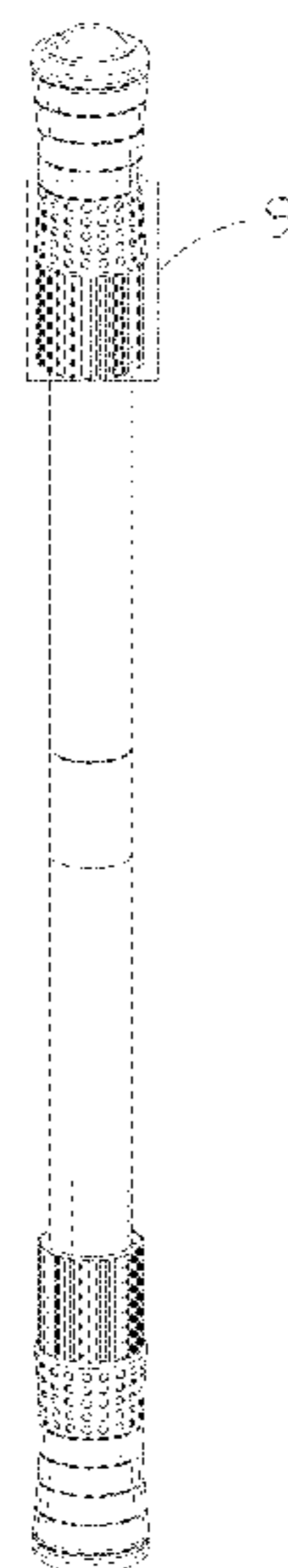
FIG. 1 is a front and top perspective view of a spinning pen, showing my new design;
FIG. 2 is a rear and bottom perspective view thereof;
FIG. 3 is a front elevation view thereof;
FIG. 4 is a rear elevation view thereof;
FIG. 5 is a left side elevation view thereof;
FIG. 6 is a right side elevation view thereof;
FIG. 7 is a top plan view thereof;
FIG. 8 is a bottom plan view thereof; and
FIG. 9 is an enlarged perspective view of detail “9” identified in FIG. 1; and,
FIG. 10 is an enlarged perspective view of detail “10” identified in FIG. 2.
The dash dot dash lines in FIGS. 1, 2, 9 and 10 are for the purpose of illustrating the enlarged views indicators and form no part of the claimed design.

1 Claim, 10 Drawing Sheets

(56) **References Cited**

U.S. PATENT DOCUMENTS

D364,422 S * 11/1995 Diresta D19/117
D369,384 S * 4/1996 Yasoshima D19/117
D439,611 S * 3/2001 Fukami D19/117
D457,915 S * 5/2002 Carroll D19/117
D545,895 S * 7/2007 Okutani D19/117
D589,555 S * 3/2009 Li D19/117
D590,876 S * 4/2009 Shi D19/117
D595,350 S * 6/2009 Paz D19/117
D604,767 S * 11/2009 Hung D19/164



(56)

References Cited

U.S. PATENT DOCUMENTS

D944,253 S * 2/2022 Gettings D14/411
D985,670 S * 5/2023 Pan D19/117
D1,013,037 S * 1/2024 Han D19/117

OTHER PUBLICATIONS

Outus Store Spinning Pen, Amazon.com, Reviewed Apr. 12, 2022, retrieved May, 30, 2024-https://www.amazon.com/Spinning-Rotating-Tutorial-Releasing-Training/dp/B09HC641W5/ref=cm_cr_ar_p_d_product_top?ie=UTF8&th=1 (Year: 2022).*

Outus Spinning Pen, Amazon.com, published Sep. 16, 2021, retrieved May 30, 2024,29857696-<https://shorturl.at/CgZP2> (Year: 2021).*

* cited by examiner

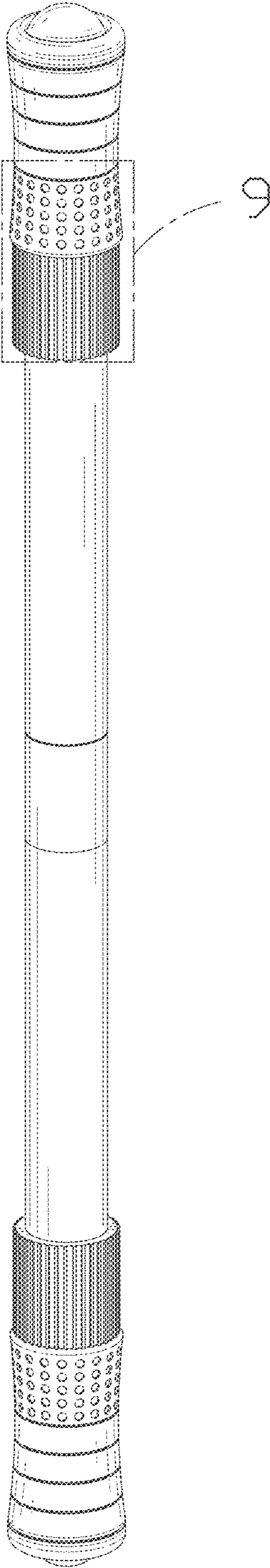


FIG. 1

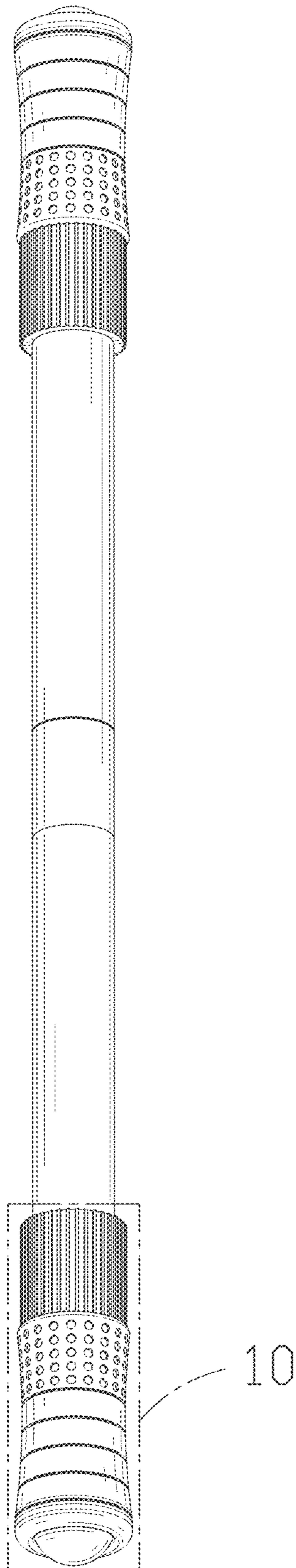


FIG. 2

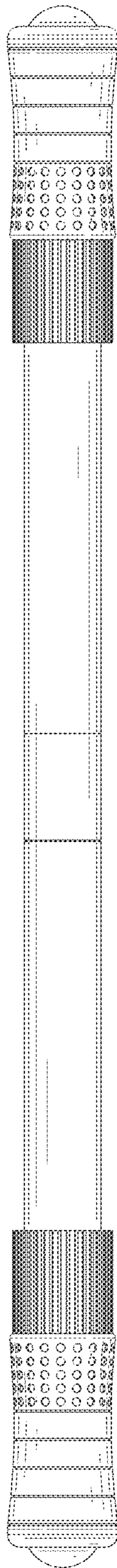


FIG. 3

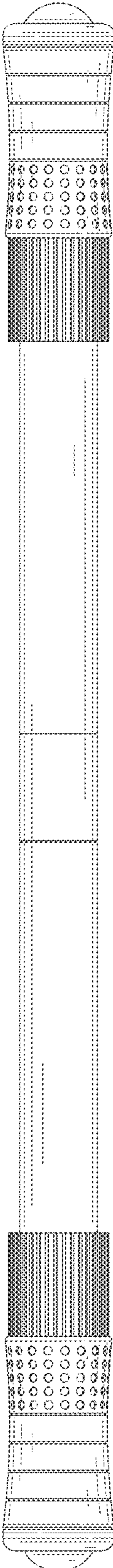


FIG. 4

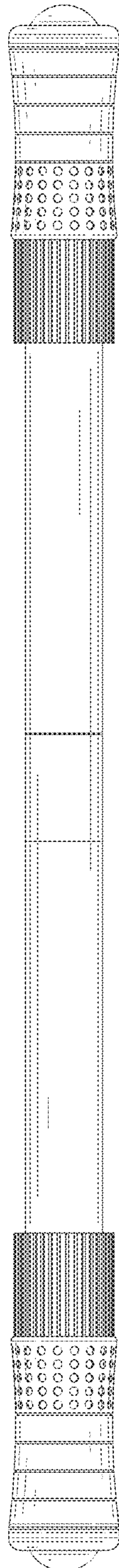


FIG. 5

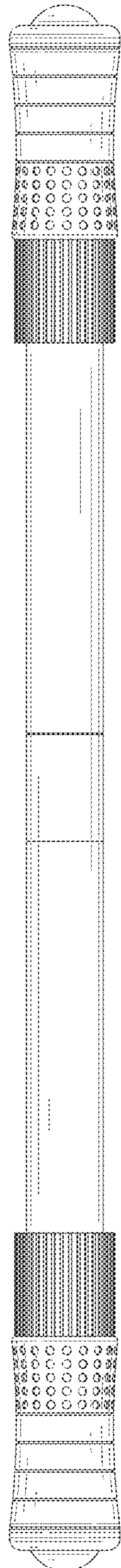


FIG. 6

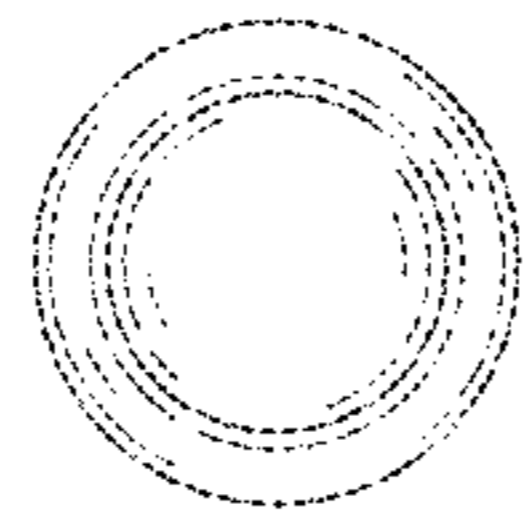


FIG. 7

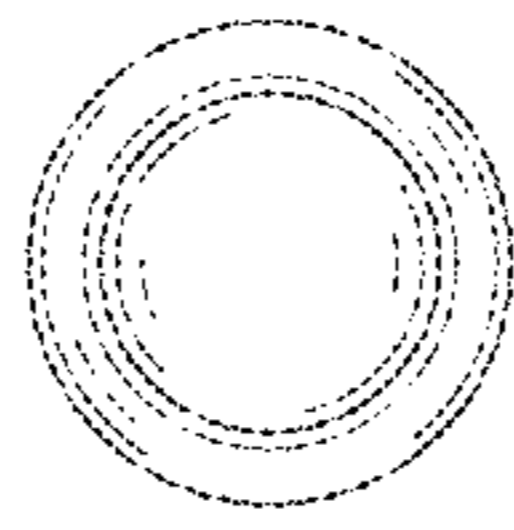


FIG. 8

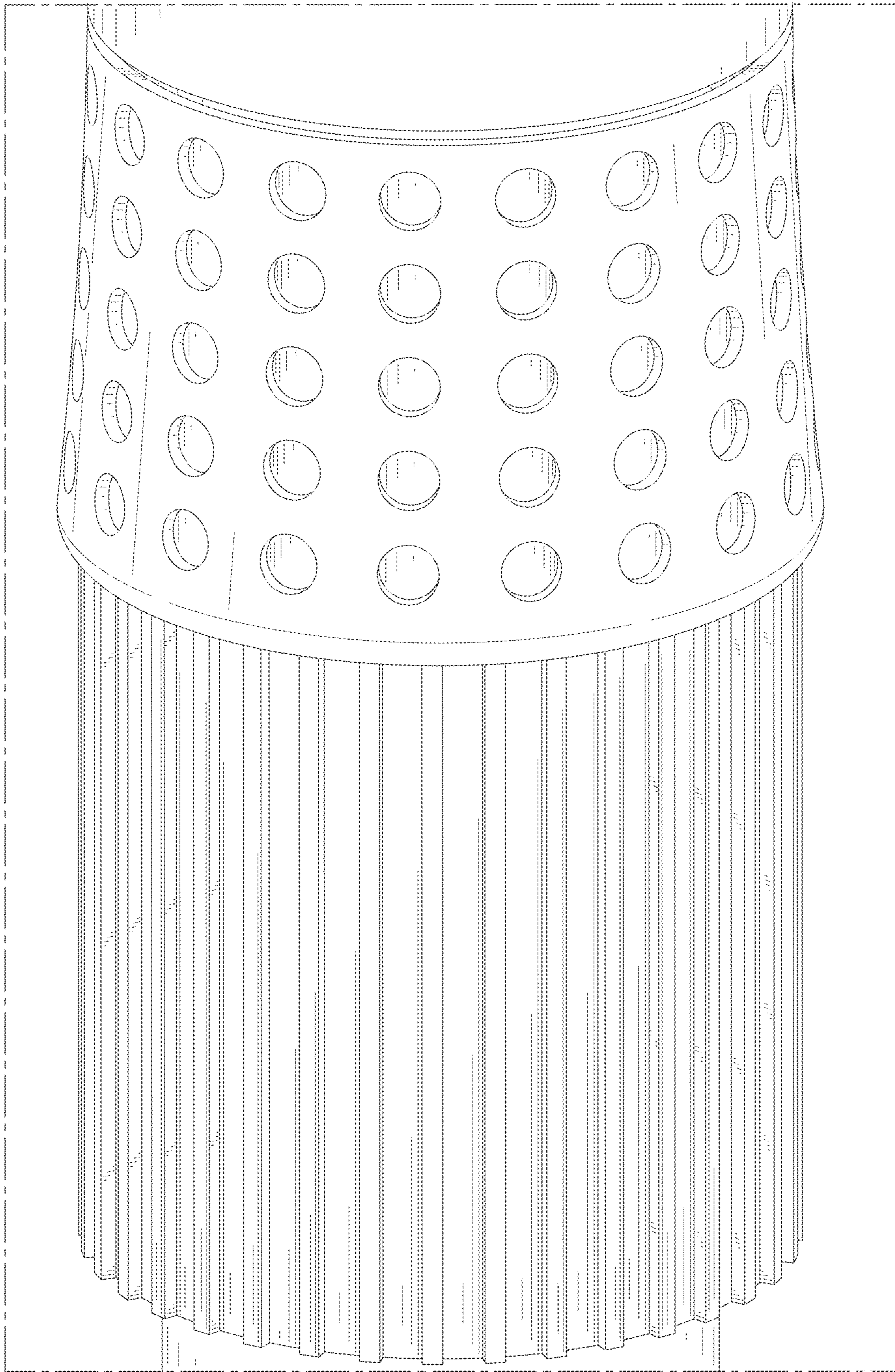


FIG. 9

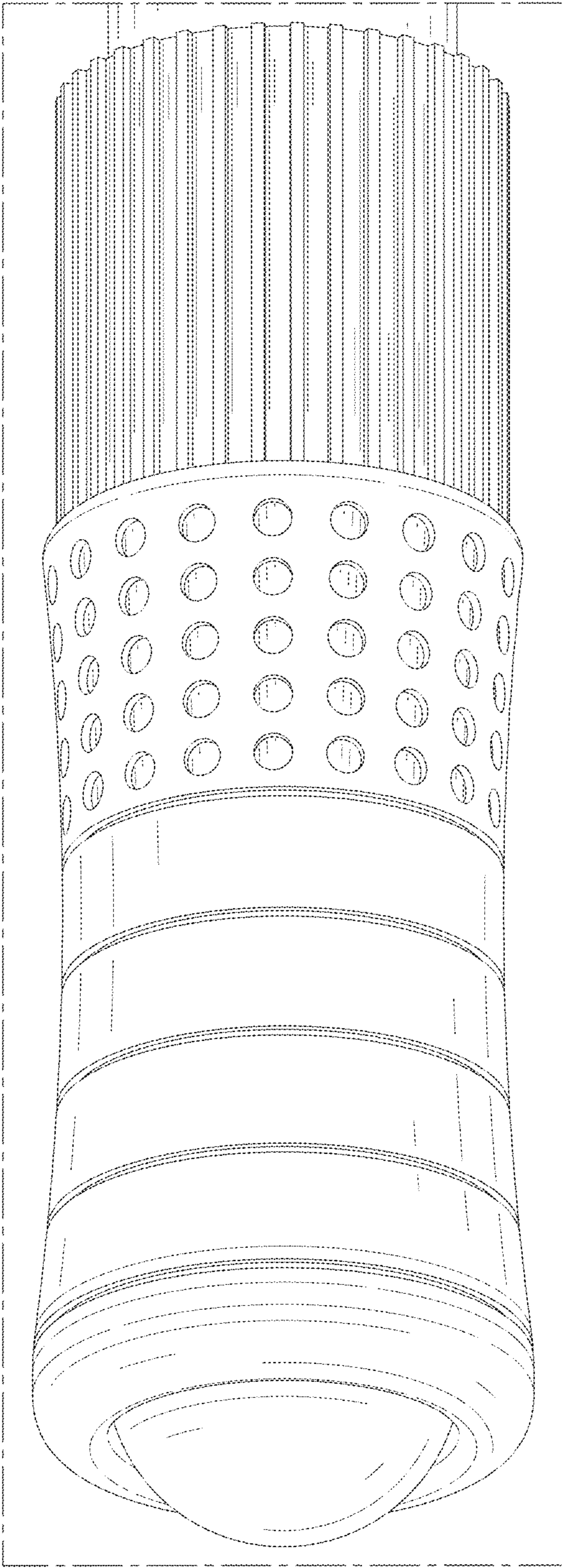


FIG. 10