



US0D1039571S

(12) **United States Design Patent**
Cruver, IV et al.

(10) **Patent No.:** **US D1,039,571 S**

(45) **Date of Patent:** **** Aug. 20, 2024**

(54) **ICE SCOOP HOLDER**

DESCRIPTION

- (71) Applicant: **Sub-Zero Group, Inc.**, Madison, WI (US)
- (72) Inventors: **Curtis Leroy Cruver, IV**, Elmhurst, IL (US); **Stephen Andrew Derfiny**, Park Ridge, IL (US)
- (73) Assignee: **Sub-Zero Group, Inc.**, Madison, WI (US)
- (**) Term: **15 Years**
- (21) Appl. No.: **29/871,532**
- (22) Filed: **Feb. 22, 2023**
- (51) **LOC (14) Cl.** **15-07**
- (52) **U.S. Cl.**
USPC **D15/89**
- (58) **Field of Classification Search**
USPC D15/79-91

FIG. 1 is a front, right perspective view of an ice scoop holder showing a first embodiment of our new design in an illustrative environment mounted to an interior surface of a door of an ice maker and with an ice scoop mounted therein; FIG. 2 is a front, right perspective view of the ice scoop holder of FIG. 1 without the ice scoop mounted therein; FIG. 3 is a front elevation view of the ice scoop holder of FIG. 2; FIG. 4 is a back elevation view of the ice scoop holder of FIG. 2; FIG. 5 is a left elevation view of the ice scoop holder of FIG. 2; FIG. 6 is a right elevation view of the ice scoop holder of FIG. 2; FIG. 7 is a top elevation view of the ice scoop holder of FIG. 2; FIG. 8 is a bottom elevation view of the ice scoop holder of FIG. 2; FIG. 9 is a front, left perspective view of the ice scoop holder of FIG. 2 with a scoop holder oriented toward a right side of the door of the ice maker instead of the orientation toward the left side of the door of the ice maker shown in FIG. 2; FIG. 10 is a front, right perspective view of an ice scoop holder showing a second embodiment of our new design in the illustrative environment mounted to the interior surface of the door of the ice maker and with the ice scoop mounted therein; FIG. 11 is a front, right perspective view of the ice scoop holder of FIG. 10 without the ice scoop mounted therein; FIG. 12 is a front elevation view of the ice scoop holder of FIG. 11; and, FIG. 13 is a front, left perspective view of the ice scoop holder of FIG. 11 with the scoop holder oriented toward a right side of the door of the ice maker instead of the orientation toward the left side of the door of the ice maker shown in FIG. 11.

The broken lines in FIGS. 1-13 are included for the purpose of illustrating the ice scoop holder in its environment and form no part of the claimed design. The back, left, right, top, and bottom elevation views of the second embodiment of the ice scoop holder are identical to FIGS. 4-8 provided for the first embodiment of the ice scoop holder.

(Continued)

(56) **References Cited**

U.S. PATENT DOCUMENTS

- D724,121 S * 3/2015 Choi D15/91
- D738,942 S * 9/2015 Choi D15/91

(Continued)

OTHER PUBLICATIONS

“SM-50 Ice Cube Machine” Model SM-50A. Manitowoc, May 2022, pp. 1-2.

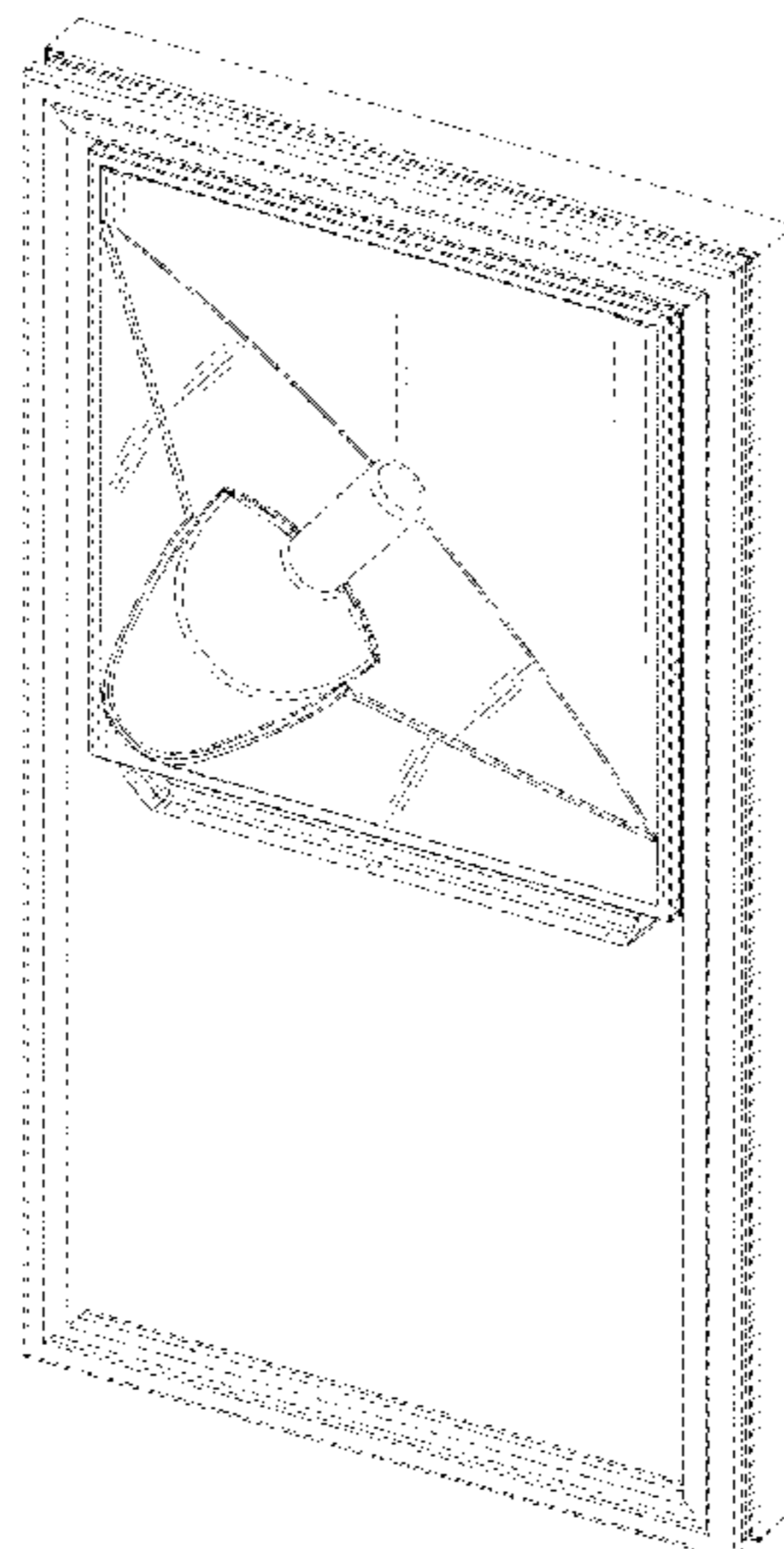
(Continued)

Primary Examiner — Khawaja Anwar
(74) *Attorney, Agent, or Firm* — Bell & Manning, LLC

(57) **CLAIM**

We claim the ornamental design for an ice scoop holder, as shown and described.

1 Claim, 12 Drawing Sheets



(58) **Field of Classification Search**

CPC F25D 23/126; F25D 2400/02; F25D 2400/06; F25D 2400/361; F25D 2400/40; F25D 25/005; F25D 25/02; F25D 2600/02; F25D 2700/02; F25D 2700/12; F25D 2700/121; F25D 2700/14; F25D 29/00; F25D 17/065; F25D 23/028; F25D 11/02; F25D 23/04; F25D 2317/061; F25D 23/12; F25D 2323/021; F25D 2323/121; F25D 23/02; F25D 2317/062; F25D 2323/122; F25D 2317/0666; F25D 17/045; F25D 25/025; F25D 2317/067; F25D 11/022; F25D 11/00; F25D 2700/122; F25D 29/005; F25D 27/00; F25D 2317/0682; F25D 2400/04; F25D 21/14; F25D 21/04; F25D 23/067; F25D 23/025; F25D 23/00; F25D 17/062; F25D 23/066; F25D 2317/063; F25D 2323/024; F25D 17/08; F25D 23/061; F25D 21/08; F25D 2500/02; F25D 17/02; F25D 23/087; F25D 23/063; F25D 2400/36; F25D 17/067; F25D 2323/023; F25D 23/062; F25D 23/064; F25D 23/006; F25D 2317/0665; F25D 17/042; F25D 23/065; F25D 2317/0681; F25D 2201/10; F25D 2331/803; F25D 23/069; F25D 2400/30; F25D 11/025; F25D 2700/123; F25D 23/10; F25D 2400/28; F25D 17/06; F25D 2327/001; F25D 31/00; F25D 23/021; F25D 27/005; F25D 23/068; F25D 2700/04; F25D 25/00; F25D 31/002; F25D 11/006; F25D 23/003; F25D 23/06; F25D 25/021; F25D 2201/14; F25D 2317/0671; F25D 2400/16; F25D 31/007; F25D 25/024; F25D 2700/06; F25D 2400/18; F25D 29/008; F25D 2317/0672; F25D 2700/10; F25D 2331/81; F25D 2325/021; F25D 31/005; F25D 2317/0664; F25D 25/04; F25D 2700/16; F25D 17/04; F25D 2201/126; F25D 2317/0661; F25D 2317/0683; F25D 2600/04; F25D 2317/0417; F25D 21/006; F25D 19/00; F25D 2331/805; F25D 2331/806; F25D 3/08; F25D 2317/0651; F25D 29/006; F25D 16/00; F25D 2700/00; F25D 21/06; F25D 2331/809; F25D 2331/812; F25D 15/00; F25D 11/027; F25D 11/003; F25D 2321/146; F25D 29/003; F25D 21/002; F25D 21/12; F25D 2331/801; F25D 2500/06; F25D 2700/08; F25D 17/047; F25D 2317/041; F25D 2317/068; F25D 2325/022; F25D 2600/06; F25D 2303/081; F25D 2400/10; F25D 3/06; F25D 25/022; F25D 21/02; F25D 2201/12; F25D 23/08; F25D 2400/12; F25D 2317/04131; F25D 2317/066; F25D 2400/14; F25D 25/027; F25D 25/028; F25D 3/02; F25D 31/006; F25D 2323/02; F25D 2400/22; F25D 2500/04; F25D 19/006; F25D 2317/0413; F25D 2317/0653; F25D 13/04; F25D 19/003; F25D 19/02; F25D 21/008; F25D 2317/00; F25D 2317/0415; F25D 2317/0416; F25D 2323/00274; F25D

2400/38; F25D 2303/08; F25D 2321/1413; F25D 2323/00264; F25D 2303/0832; F25D 2317/0654; F25D 2317/0663; F25D 2321/1441; F25D 2400/08; F25D 31/003; F25D 21/004; F25D 2303/0831; F25D 2317/043; F25D 2323/0011; F25D 2331/804; F25D 2400/32; F25D 2400/34; F25D 29/001; F25D 3/00; F25D 11/04; F25D 19/04; F25D 23/085; F25D 2317/06; F25D 2317/0655; F25D 2325/023; F25D 13/00; F25D 2317/0667; F25D 2321/143; F25D 2321/1442; F25D 2323/0023; F25D 2323/0024; F25D 2323/00283; F25D 2400/24; F25D 3/005; F25D 3/12; F25D 31/001; F25D 13/02; F25D 17/00; F25D 2300/00; F25D 2317/0662; F25D 2321/1412; F25D 2323/0021; F25D 2323/00261; F25D 2323/022; F25D 3/10; F25D 1/00; F25D 21/00; F25D 2303/0841; F25D 2321/142; F25D 2321/144; F25D 3/04; F25D 1/02; F25D 2201/124; F25D 23/023; F25D 2303/0842; F25D 2317/0411; F25D 2317/04111; F25D 2321/141; F25D 2321/147; F25D 2331/80; F25D 3/045; F25D 3/125; F25D 5/00; F25D 13/062; F25D 2201/00; F25D 23/082; F25D 23/123; F25D 2303/0843; F25D 2303/0845; F25D 2303/085; F25D 2323/0022; F25D 2323/0026; F25D 2323/00262; F25D 2323/00266; F25D 2323/00268; F25D 2323/00271; F25D 2323/00272; F25D 2323/00276; F25D 2323/0028; F25D 2323/06; F25D 2323/061; F25D 2327/00; F25D 2331/808; F25D 2400/00; F25D 2600/00; F25D 3/105; F25D 3/11; F25D 5/02; F25D 13/065; F25D 13/067; F25D 2201/122; F25D 2201/1262; F25D 23/026; F25D 2303/082; F25D 2303/0822; F25D 2303/08222; F25D 2317/065; F25D 2317/0684; F25D 2321/00; F25D 2321/1411; F25D 2323/002; F25D 2323/00277; F25D 2323/00281; F25D 2325/00; F25D 2331/00; F25D 2331/807; F25D 3/122

See application file for complete search history.

(56)

References Cited

U.S. PATENT DOCUMENTS

D757,131 S * 5/2016 Lee D15/91
 D760,820 S * 7/2016 Lee D15/91
 D760,823 S * 7/2016 Lee D15/91
 D761,336 S * 7/2016 Lee D15/91
 D768,738 S * 10/2016 Lee D15/91
 D768,739 S * 10/2016 Lee D15/91

OTHER PUBLICATIONS

“15” Ice Maker—Panel Ready” Model No. UC-151. Printed on Feb. 9, 2023 from <https://www.subzero-wolf.com/sub-zero/counter-refrigerator/15-inch-ice-maker-panel-ready>. pp. 1-9.

(56)

References Cited

OTHER PUBLICATIONS

“15" Ice Maker—Panel Ready” Sub-Zero Quick Reference Guide.
UC-151, Generated on Aug. 22, 2022. pp. 1-2.

* cited by examiner

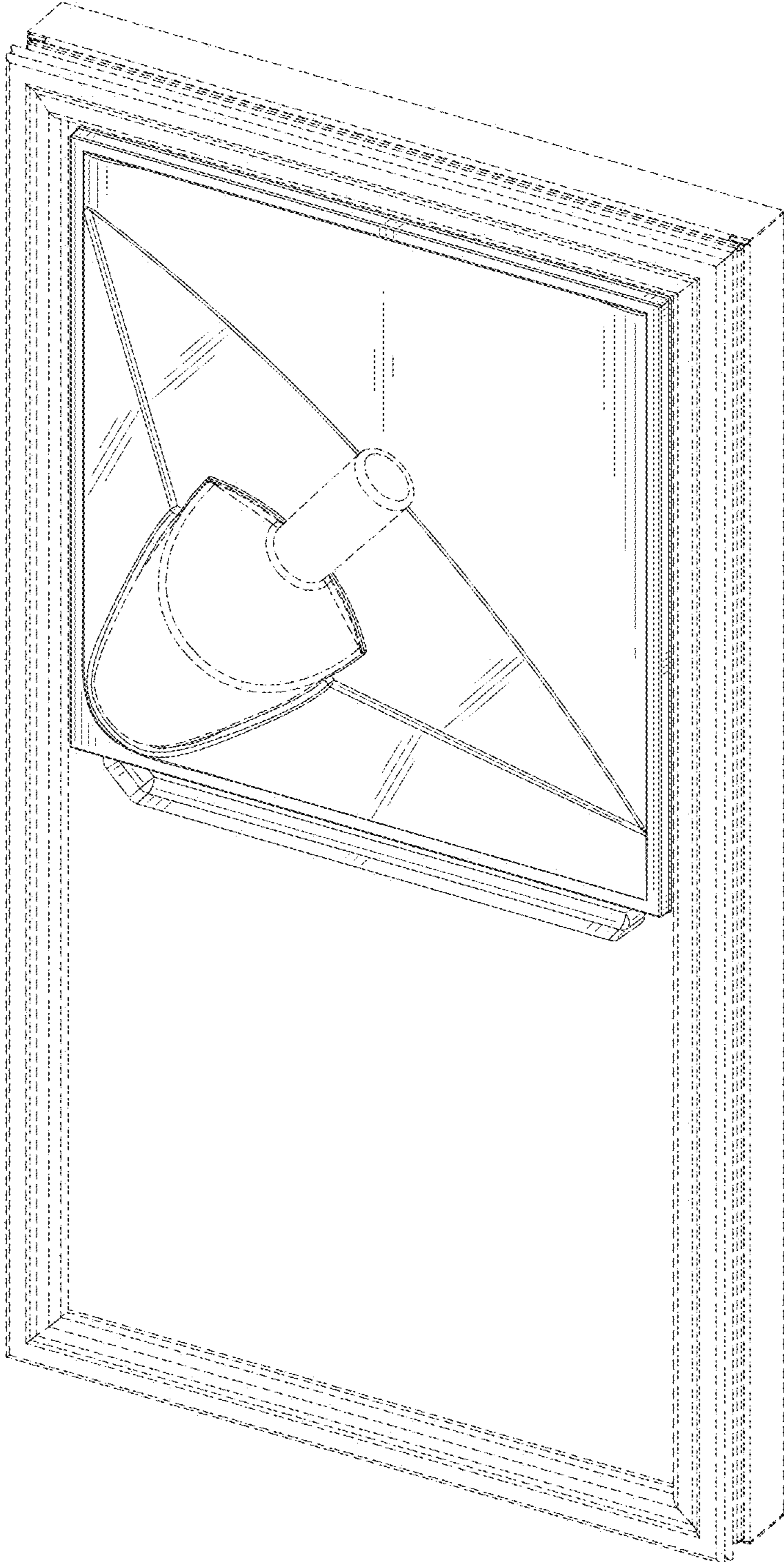


FIG. 1

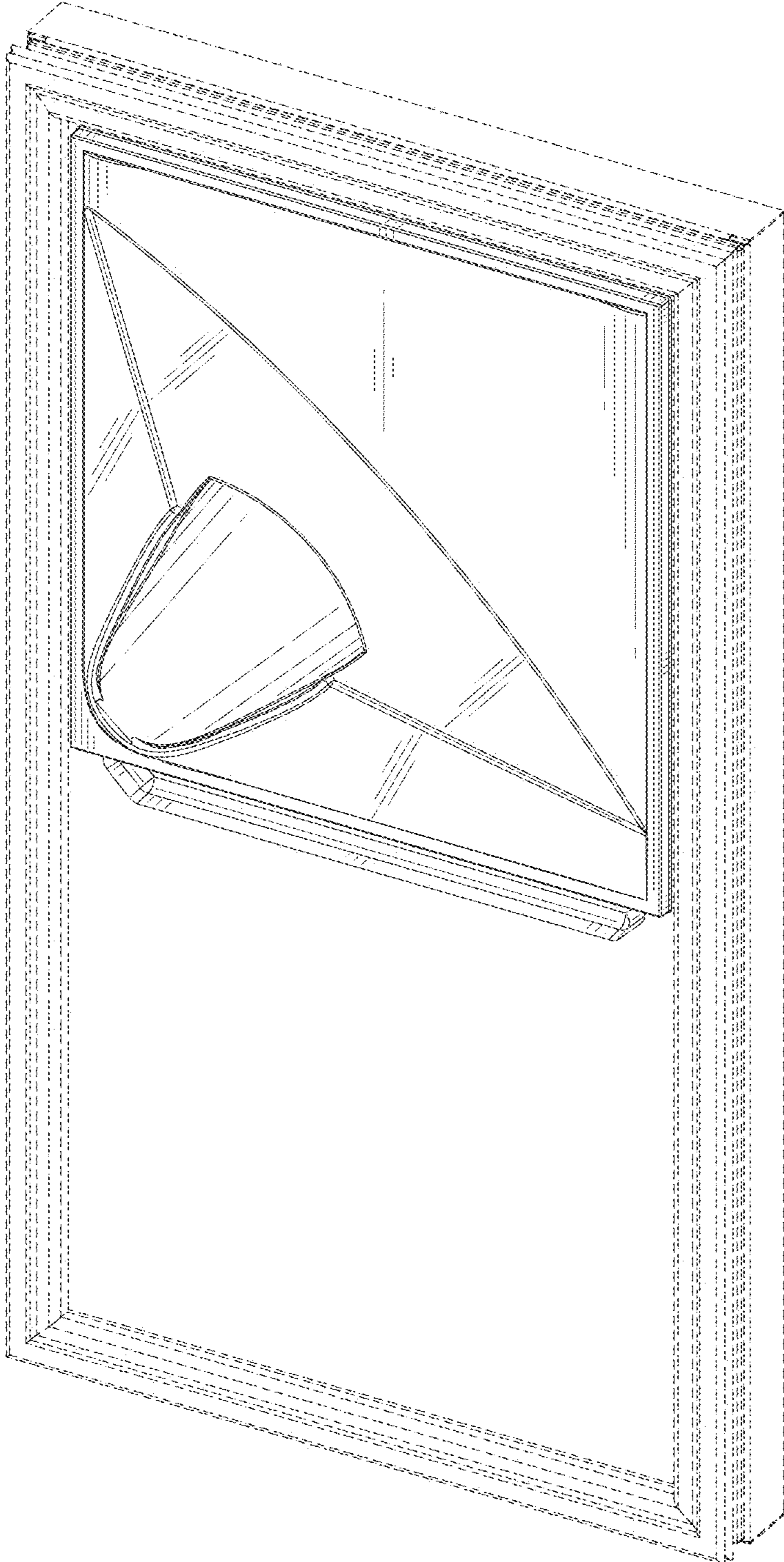


FIG. 2

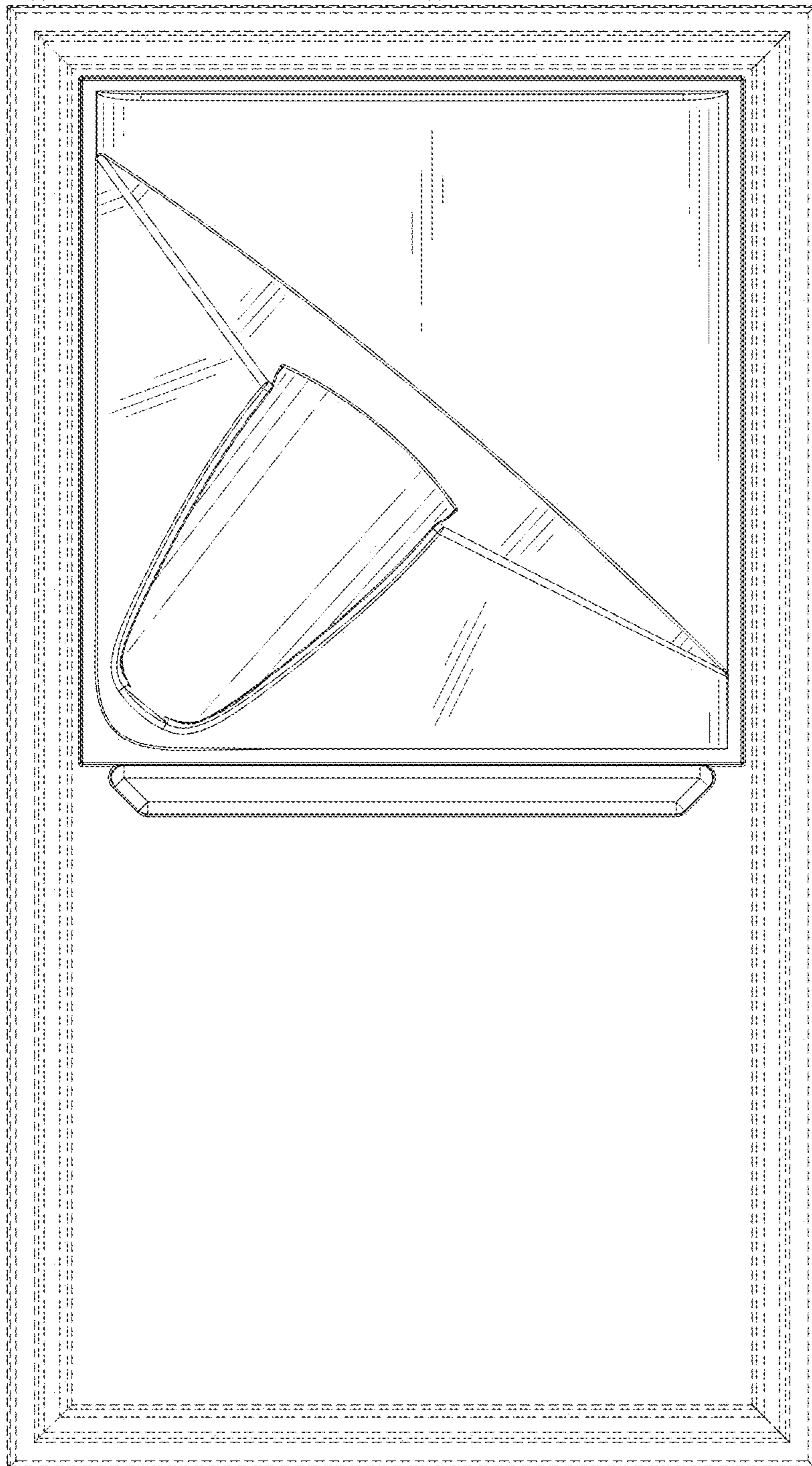


FIG. 3

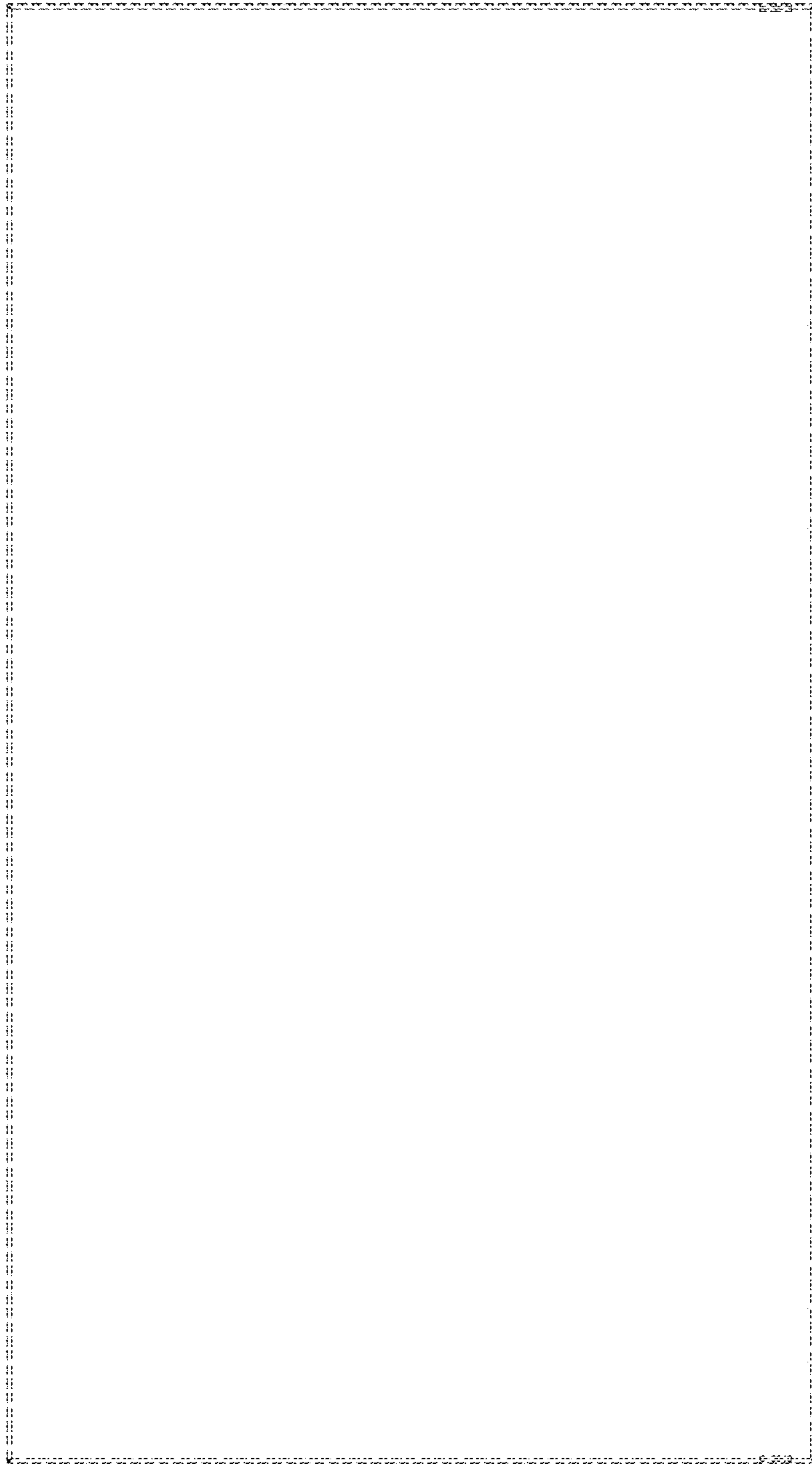


FIG. 4

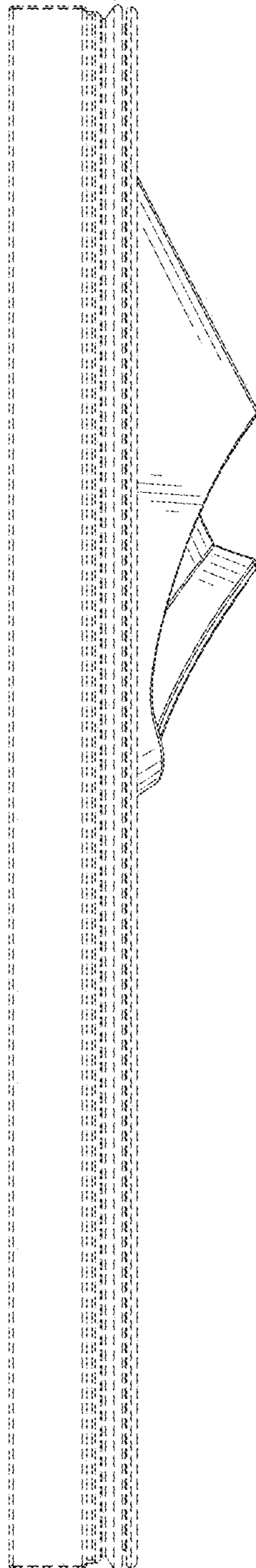


FIG. 5

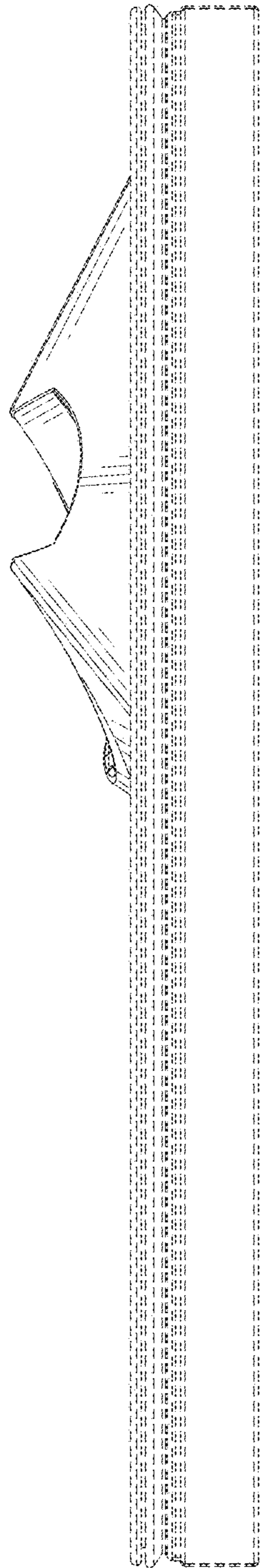


FIG. 6

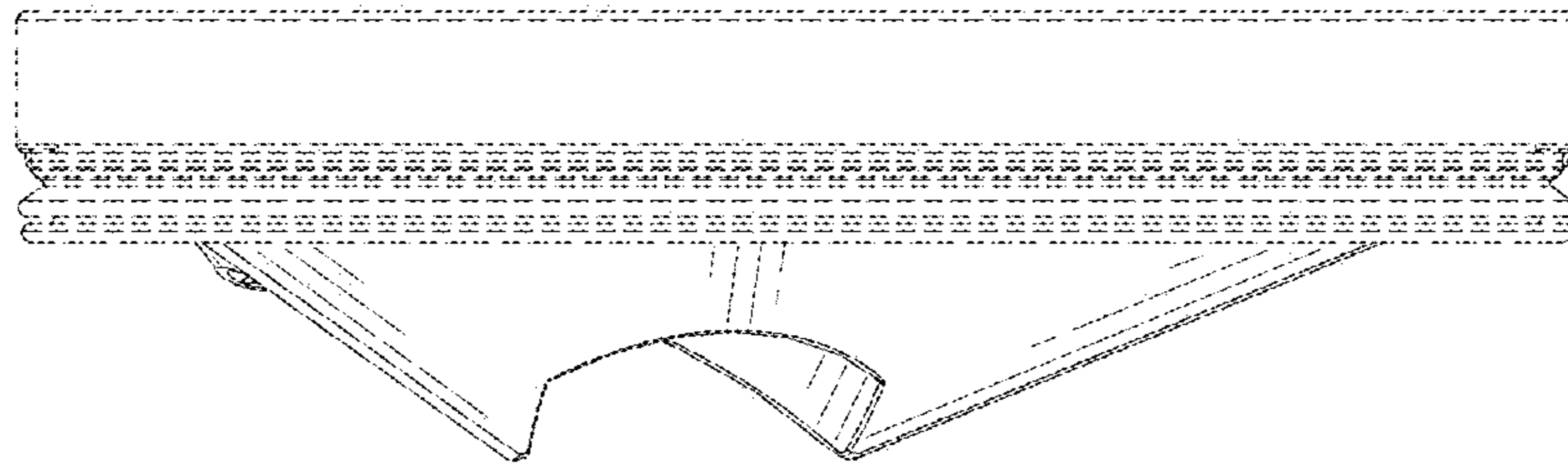


FIG. 7

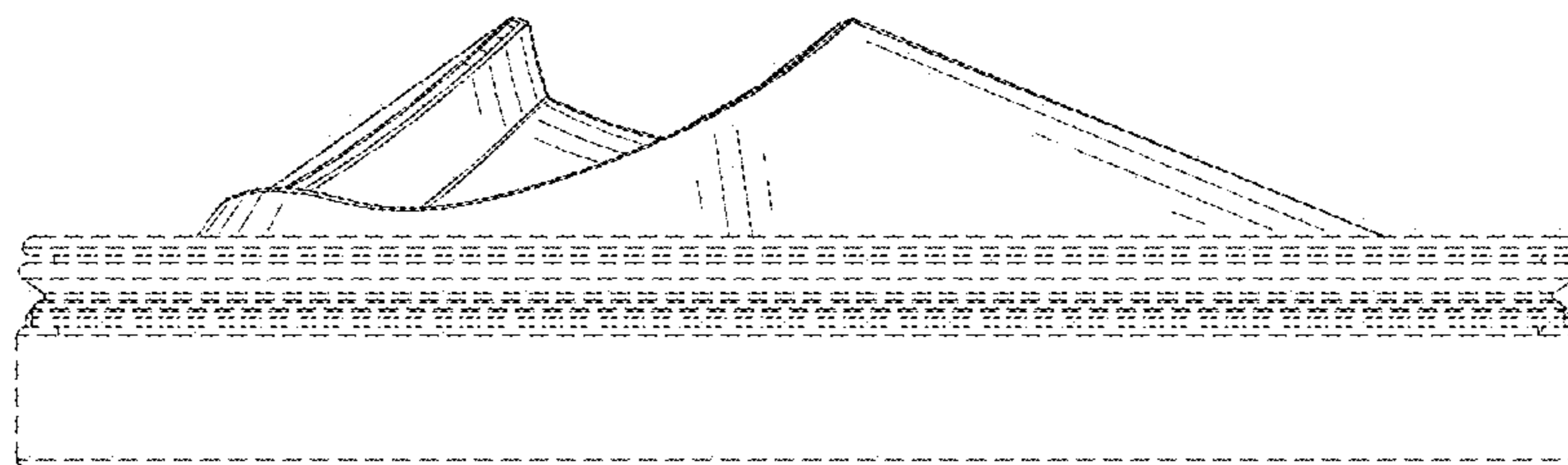


FIG. 8

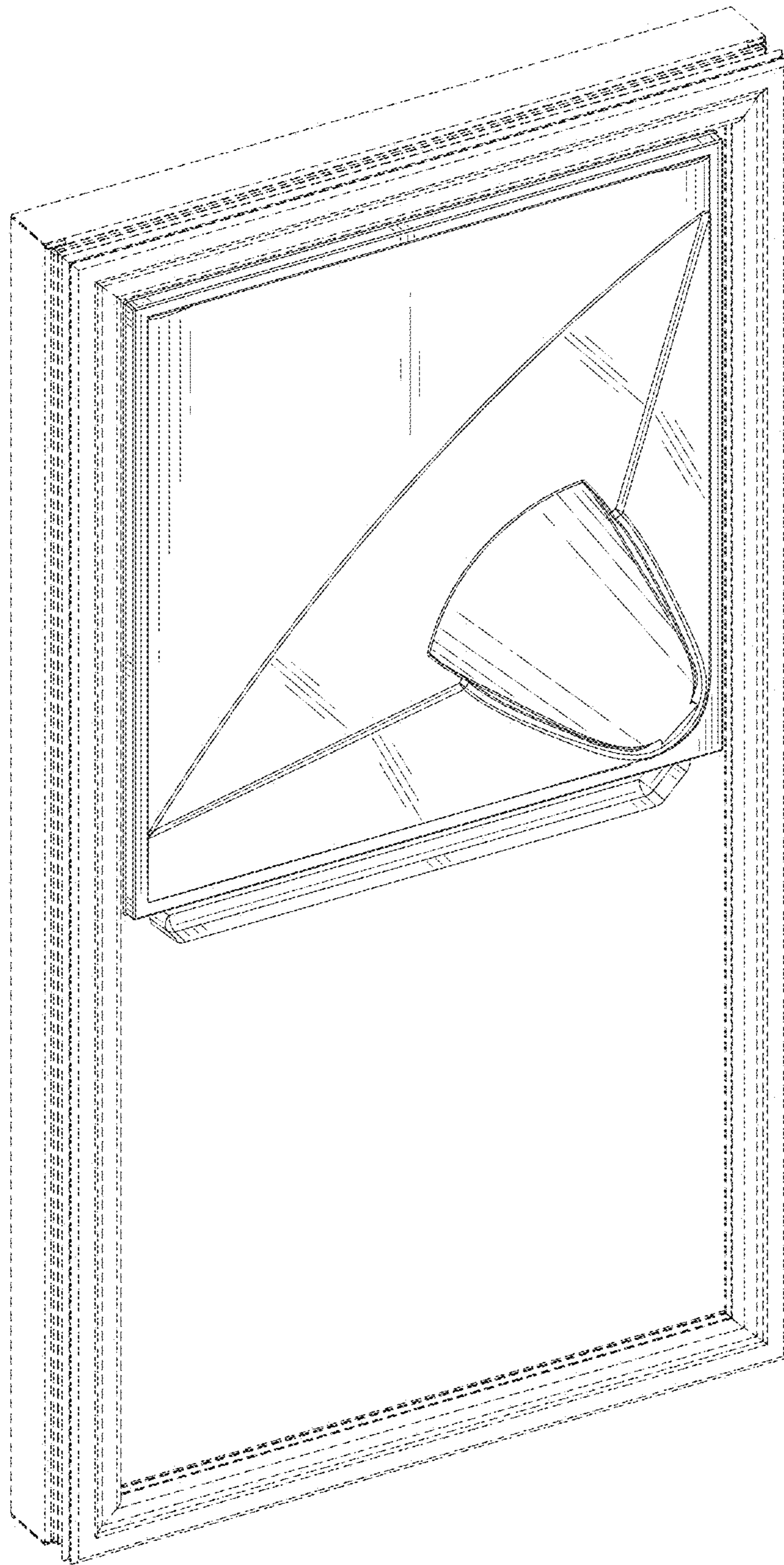


FIG. 9

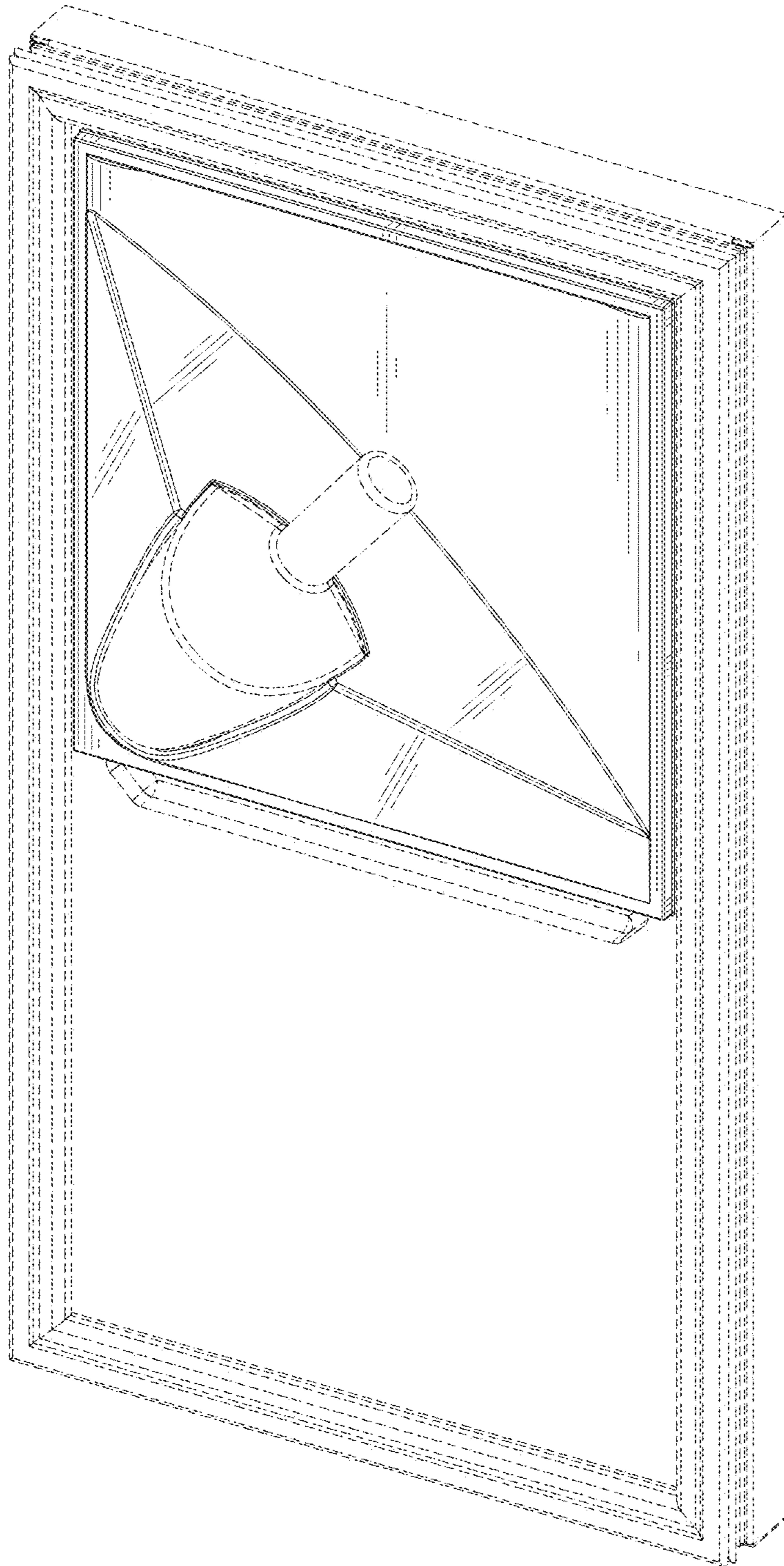


FIG. 10

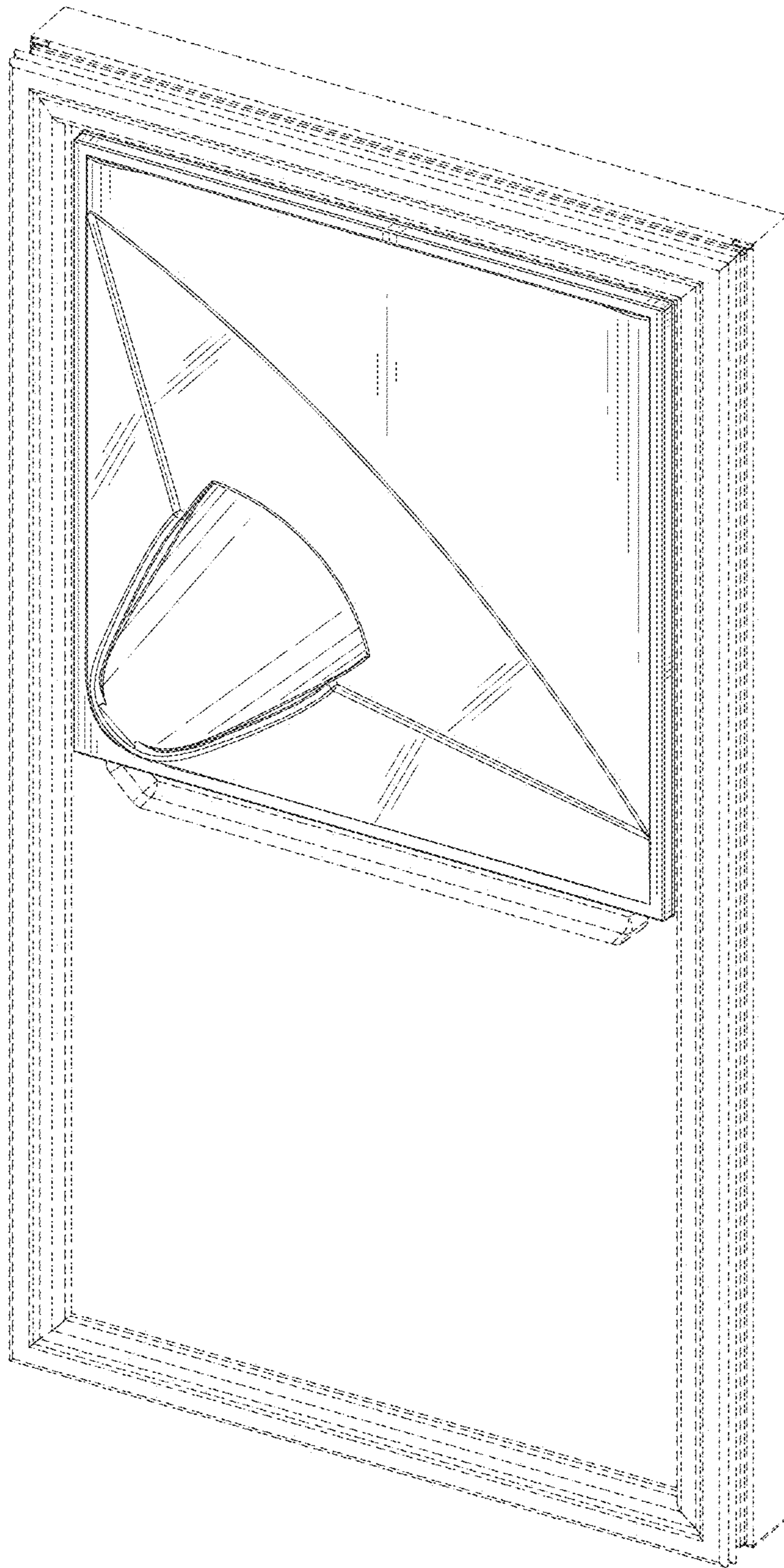


FIG. 11

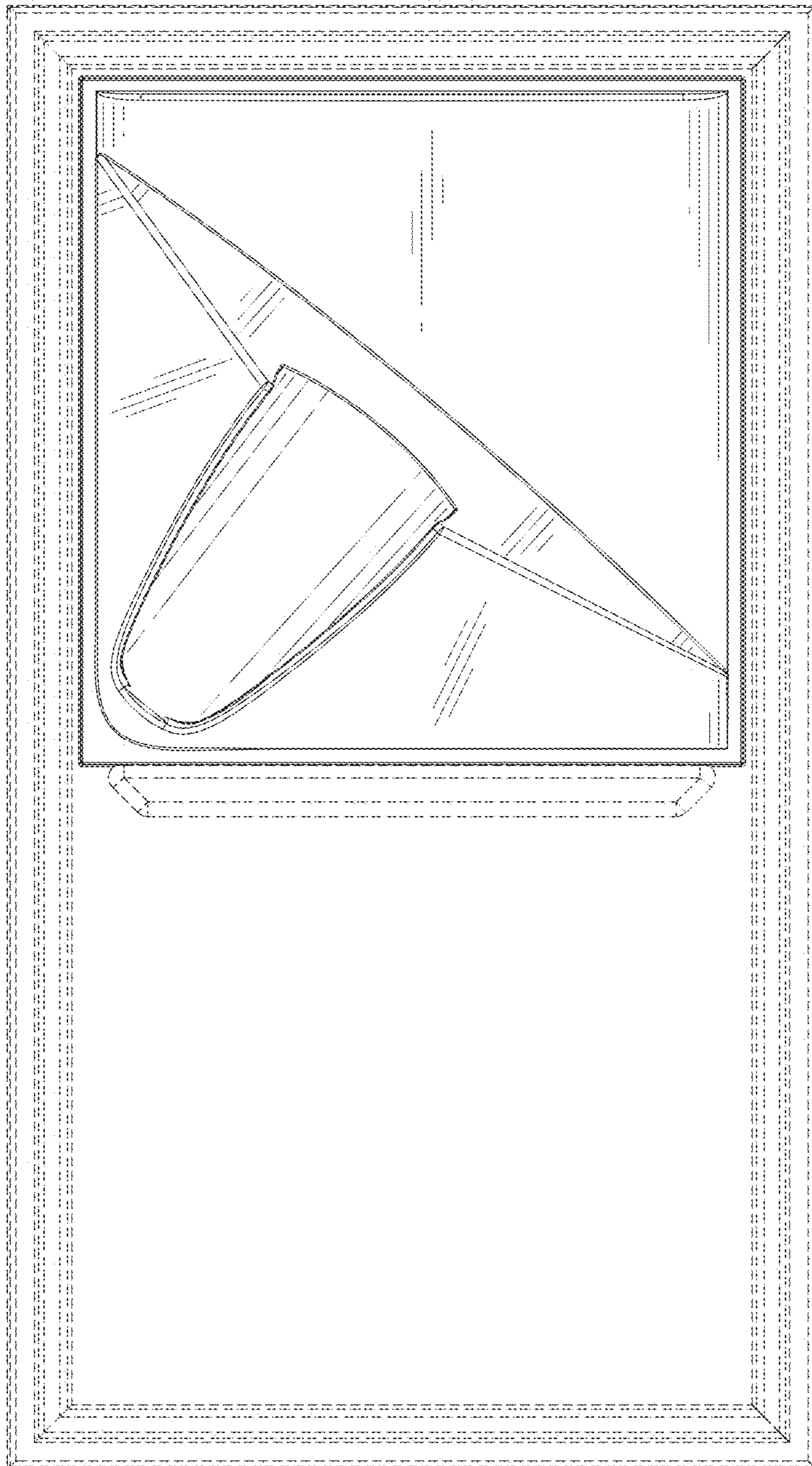


FIG. 12

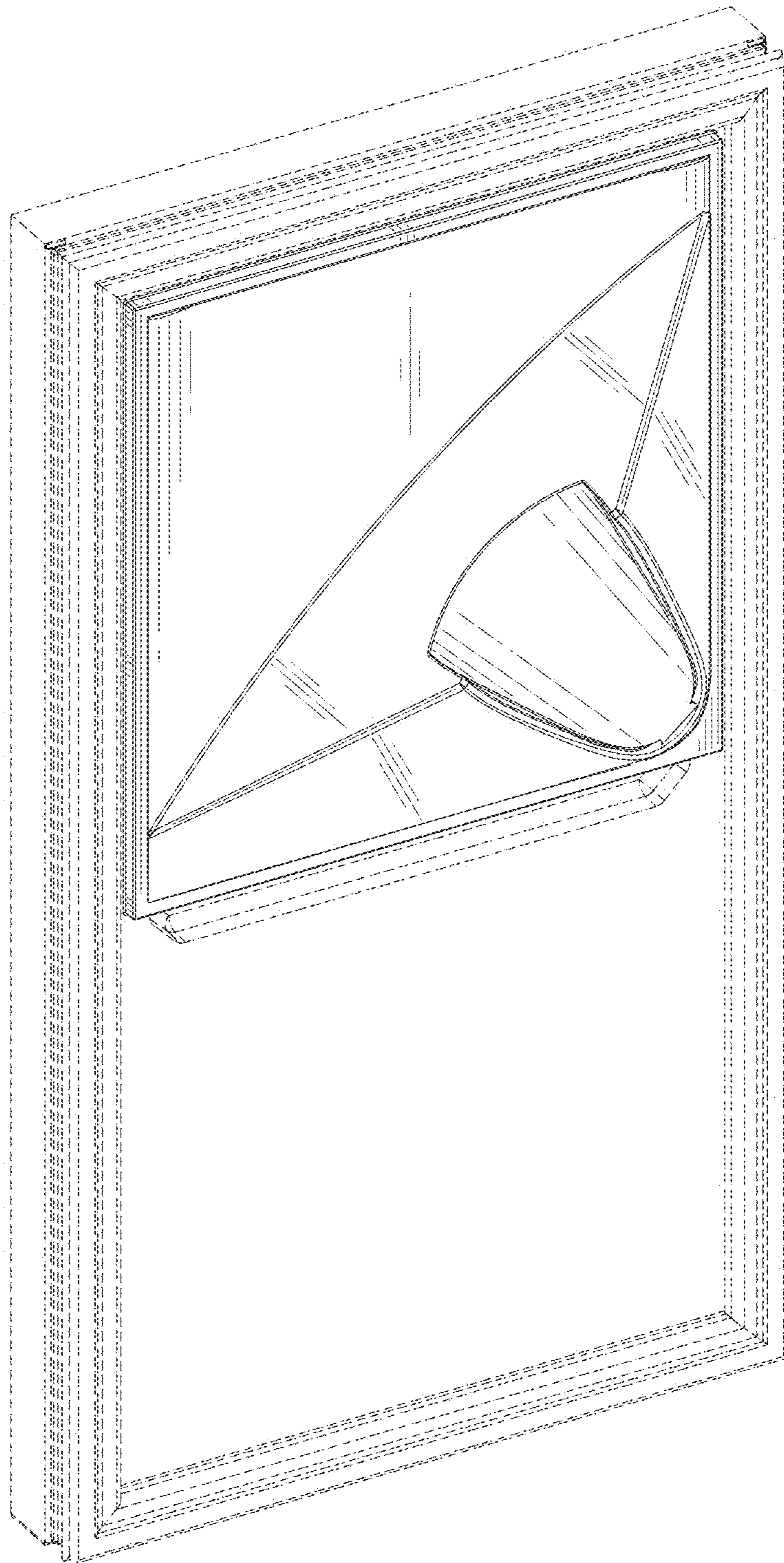


FIG. 13