



US0D1039527S

(12) **United States Design Patent**
Zhang

(10) **Patent No.:** **US D1,039,527 S**

(45) **Date of Patent:** **** Aug. 20, 2024**

(54) **KEYBOARD**

(71) Applicant: **Xiaoqian Zhang**, Rongcheng (CN)

(72) Inventor: **Xiaoqian Zhang**, Rongcheng (CN)

(**) Term: **15 Years**

(21) Appl. No.: **29/847,176**

(22) Filed: **Jul. 22, 2022**

(51) **LOC (14) Cl.** **14-02**

(52) **U.S. Cl.**
USPC **D14/391**

(58) **Field of Classification Search**
USPC D14/391, 392, 393, 394, 396, 455;
D18/1

CPC ... G06F 3/02; G06F 3/0231; B41J 5/00; B41J
5/08; B41J 5/10

See application file for complete search history.

(56) **References Cited**

U.S. PATENT DOCUMENTS

2,318,519	A *	5/1943	Palanque	B41J 5/10 400/482
D836,111	S *	12/2018	Buhler	D14/393
D928,785	S *	8/2021	Tong	D14/392
D967,821	S *	10/2022	Tang	D14/393
D985,567	S *	5/2023	Olson	D14/393
D989,072	S *	6/2023	Park	B41J 5/10 D14/391
2009/0138637	A1 *	5/2009	Hargreaves	G06F 1/1664 361/679.08

FOREIGN PATENT DOCUMENTS

CN 305661540 * 3/2020

OTHER PUBLICATIONS

One Handed Keyboard, Apr. 19, 2020, Amazon, site visited Jun. 22, 2023: <https://www.amazon.com/Designer-Mechanical-Customizable-Connector-Backlight/dp/B0878ZB8JZ> (Year: 2020).*
Cloud Nine ErgoTKL Keyboard, Dec. 31, 2021, Amazon, site visited Jun. 22, 2023: <https://www.amazon.ca/ErgoTKL-Ergonomic-Tenkeyless-Mechanical-Keyboard/dp/B09G5L6Z53> (Year: 2021).*

* cited by examiner

Primary Examiner — Leanne Was-Englehart

Assistant Examiner — Alison Davis

(57) **CLAIM**

The ornamental design for a keyboard, as shown and described.

DESCRIPTION

FIG. 1 is a front and top perspective view of a keyboard, showing my new design;

FIG. 2 is a rear and top perspective view thereof;

FIG. 3 is a front elevation view thereof;

FIG. 4 is a rear view thereof;

FIG. 5 is a left side elevation view thereof;

FIG. 6 is a right side elevation view thereof;

FIG. 7 is a top plan view thereof;

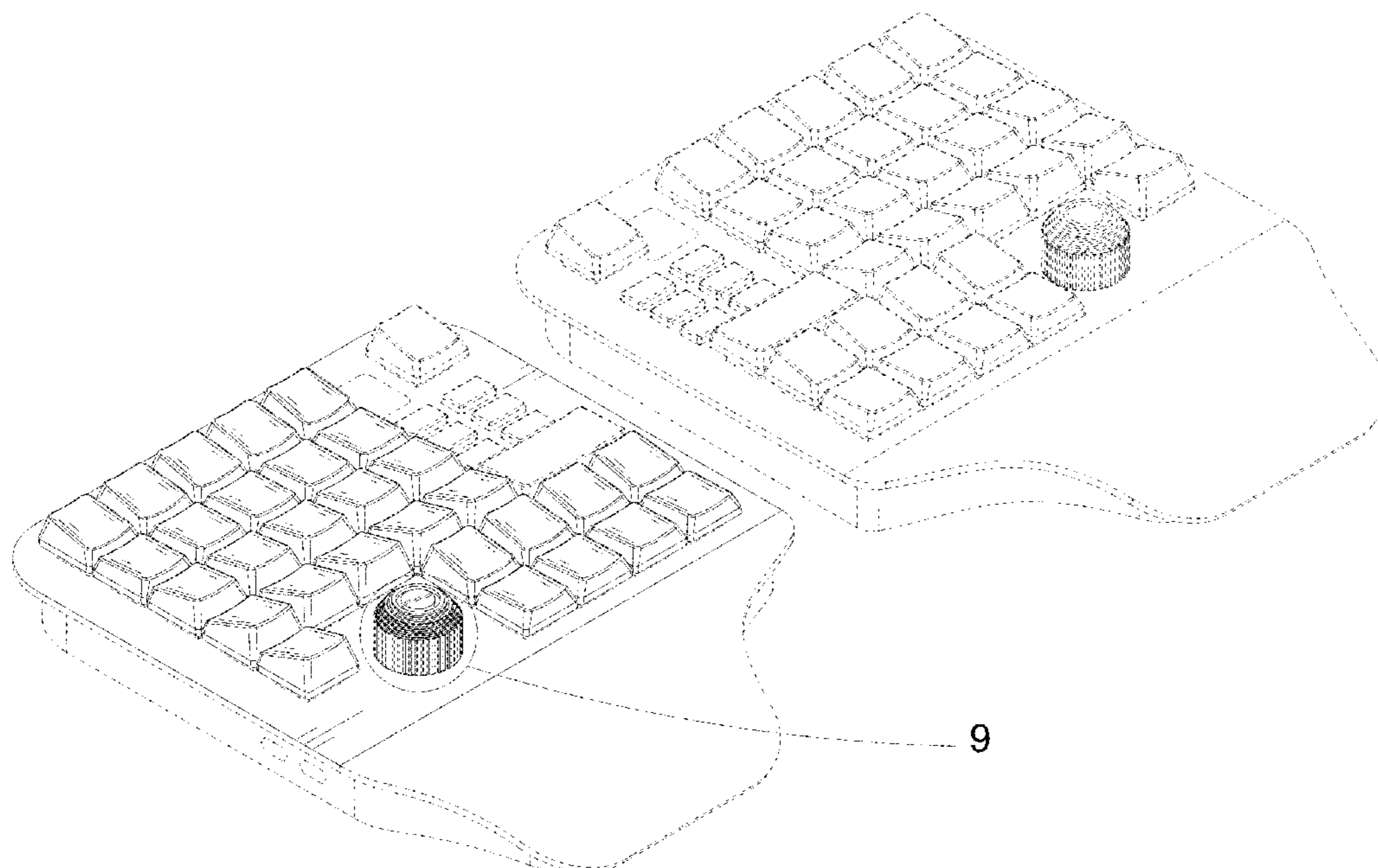
FIG. 8 is a bottom plan view thereof;

FIG. 9 is an enlarged view of the portion, labeled '9' of FIG. 1; and,

FIG. 10 is an enlarged view of the portion, labeled '10' of FIG. 7.

The evenly spaced dashed broken lines depict portions of the keyboard that form no part of the claimed design. The dot-dash line circles depict the limits of the enlarged views and form no part of the claimed design.

1 Claim, 10 Drawing Sheets



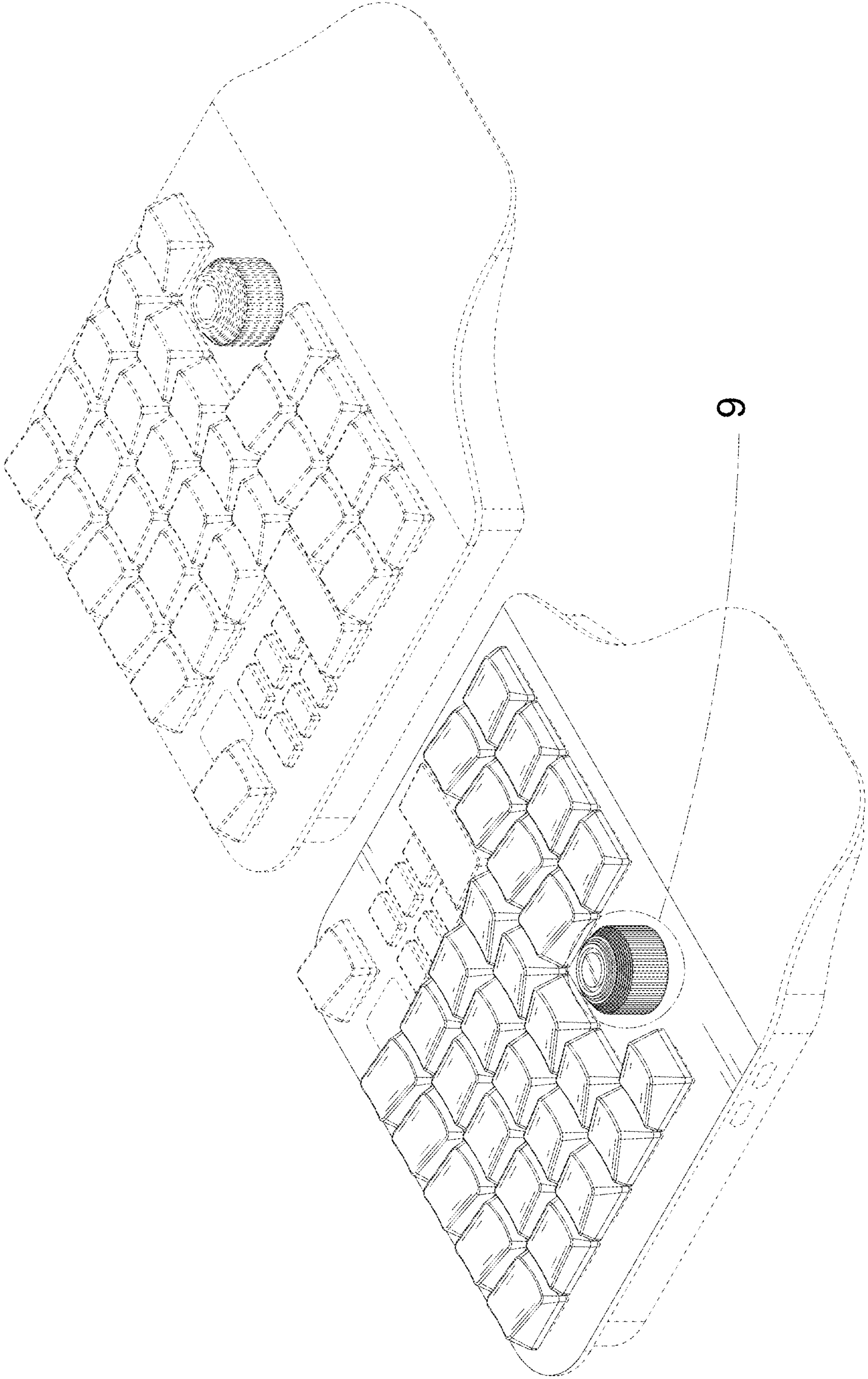


FIG. 1

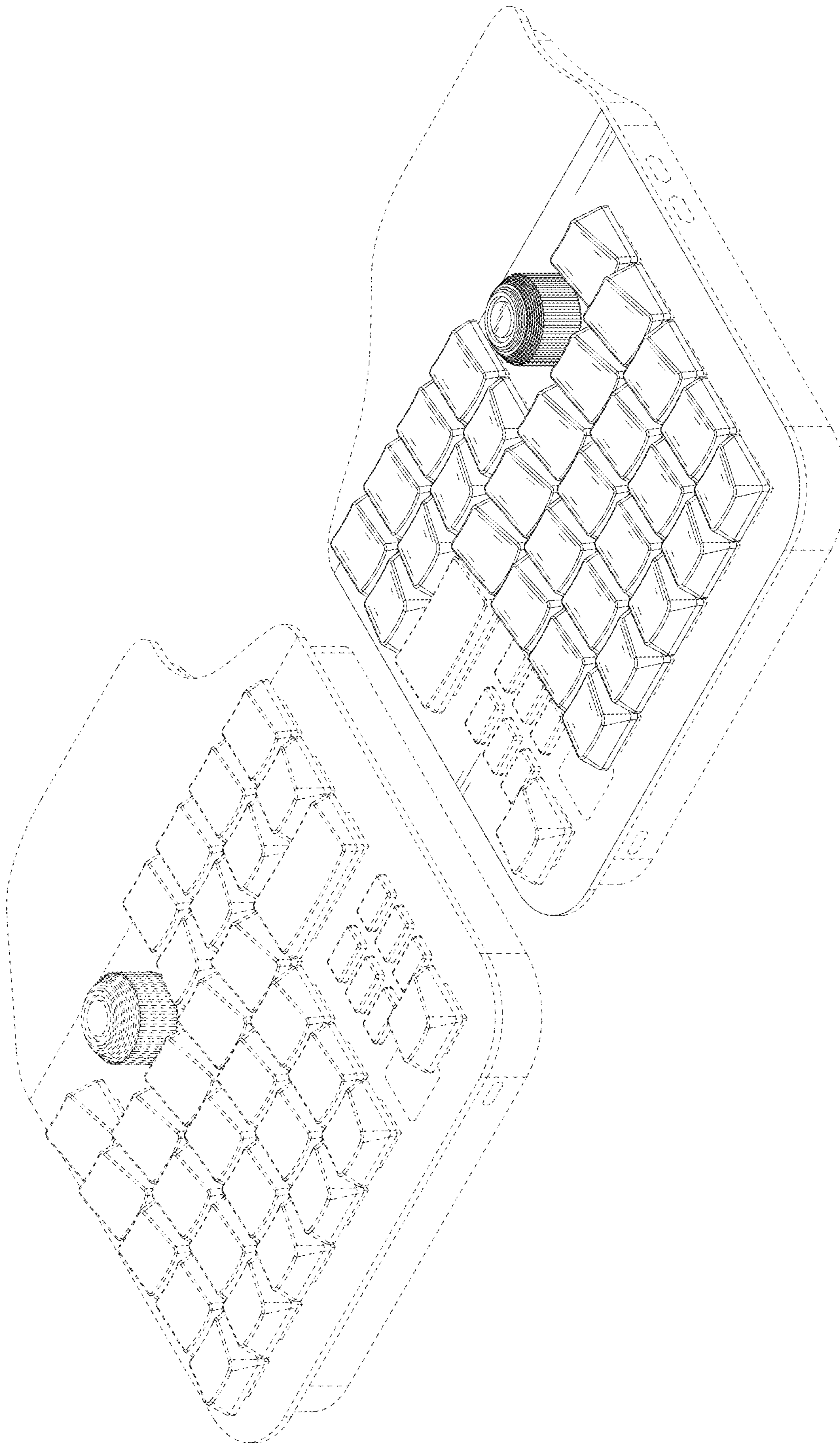


FIG.2

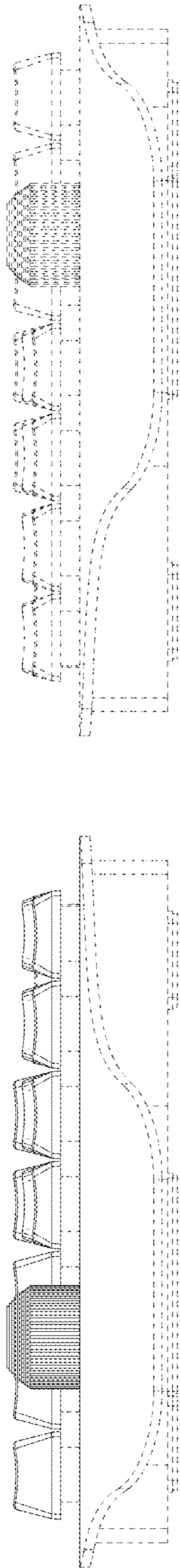


FIG.3

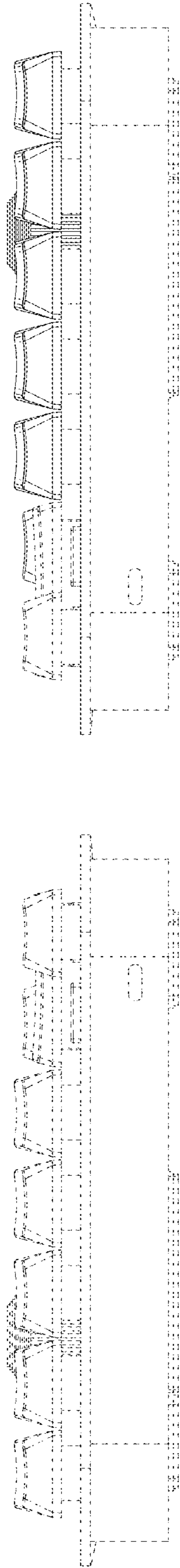


FIG.4

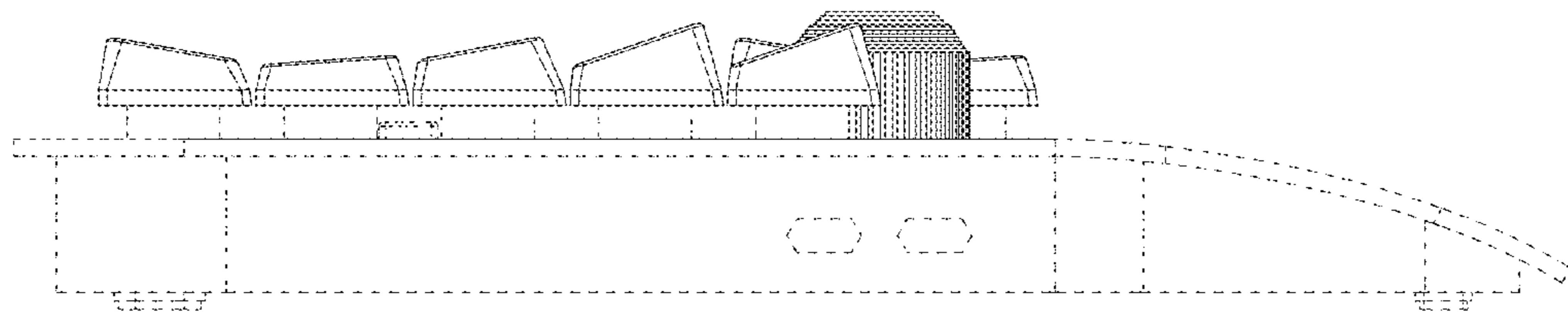


FIG.5

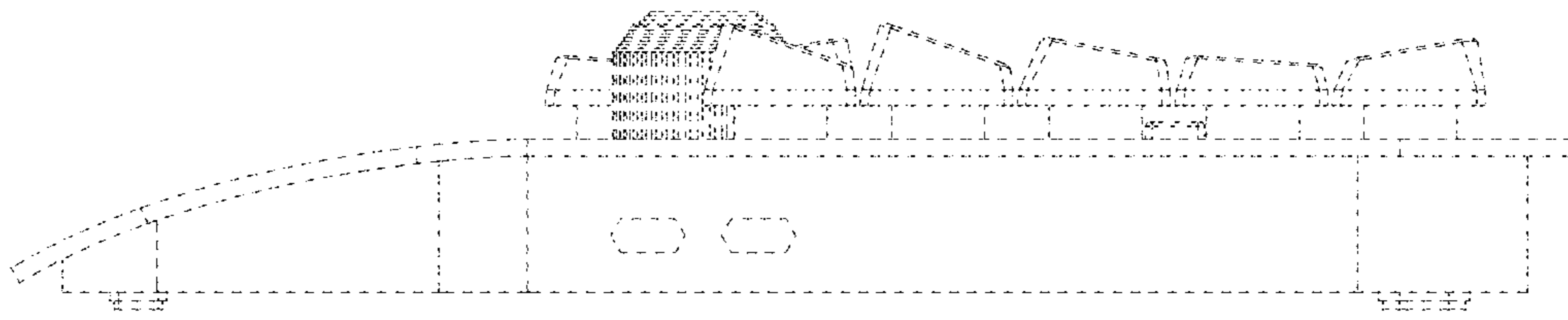


FIG.6

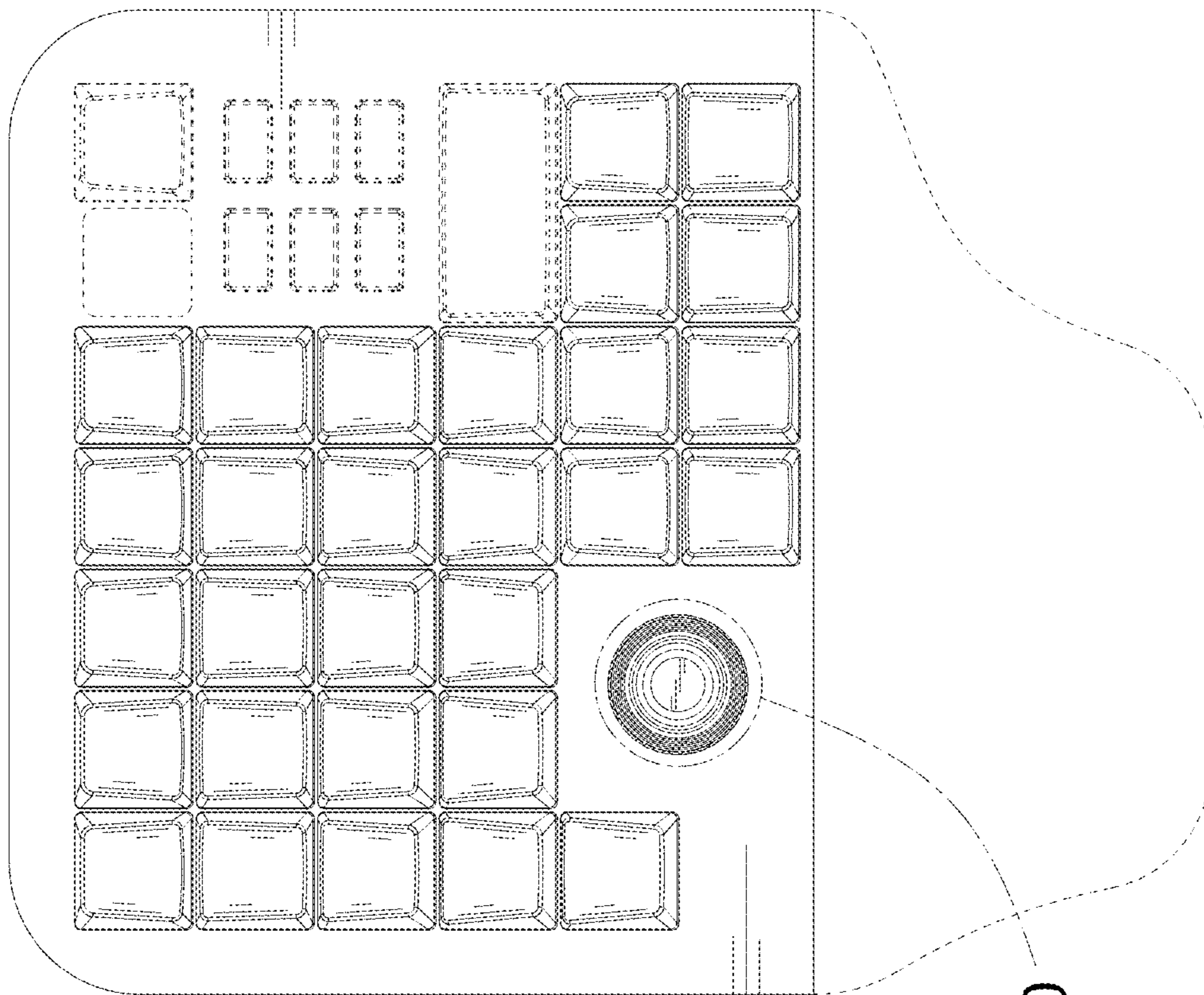
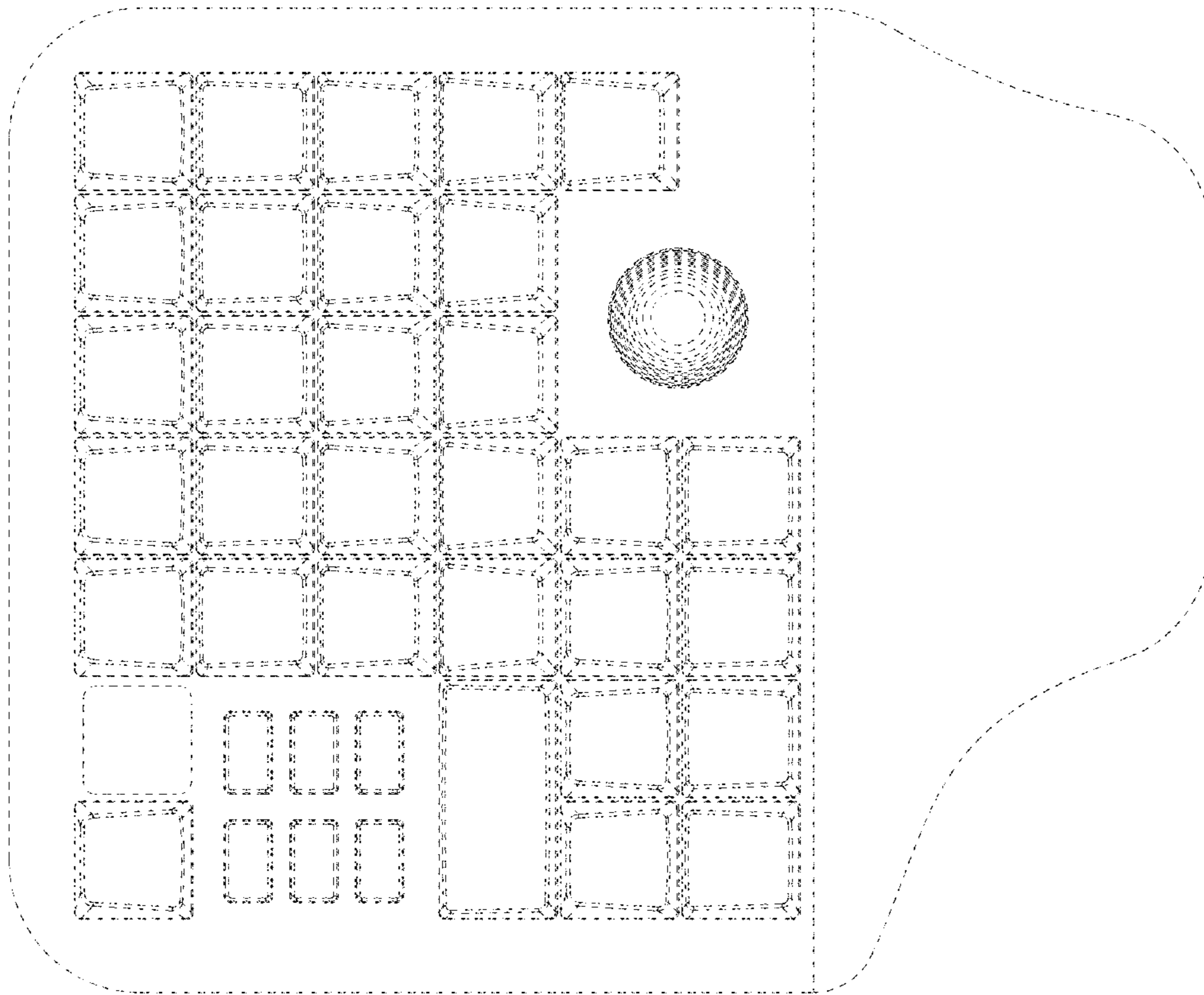


FIG.7

10

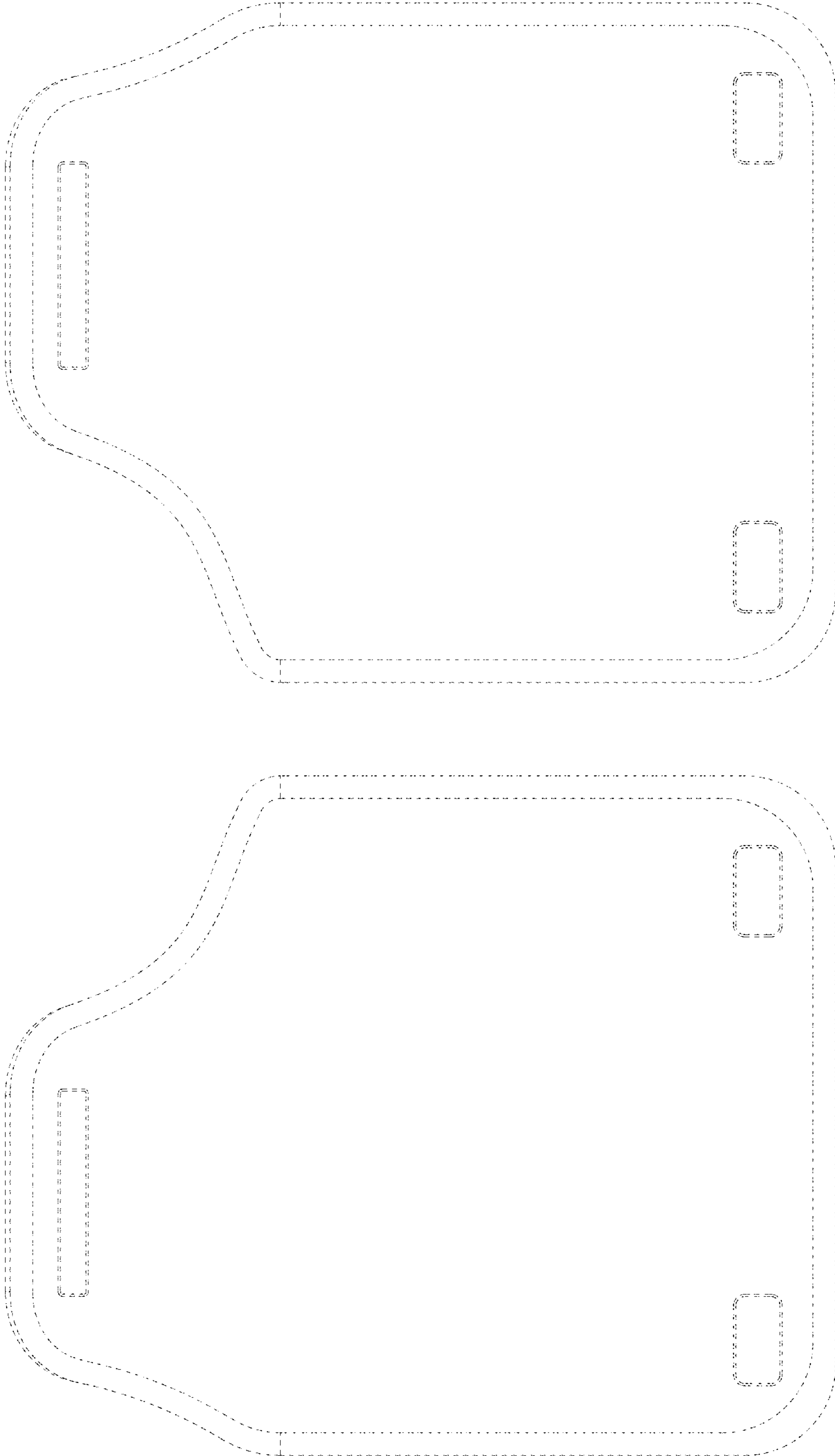


FIG.8

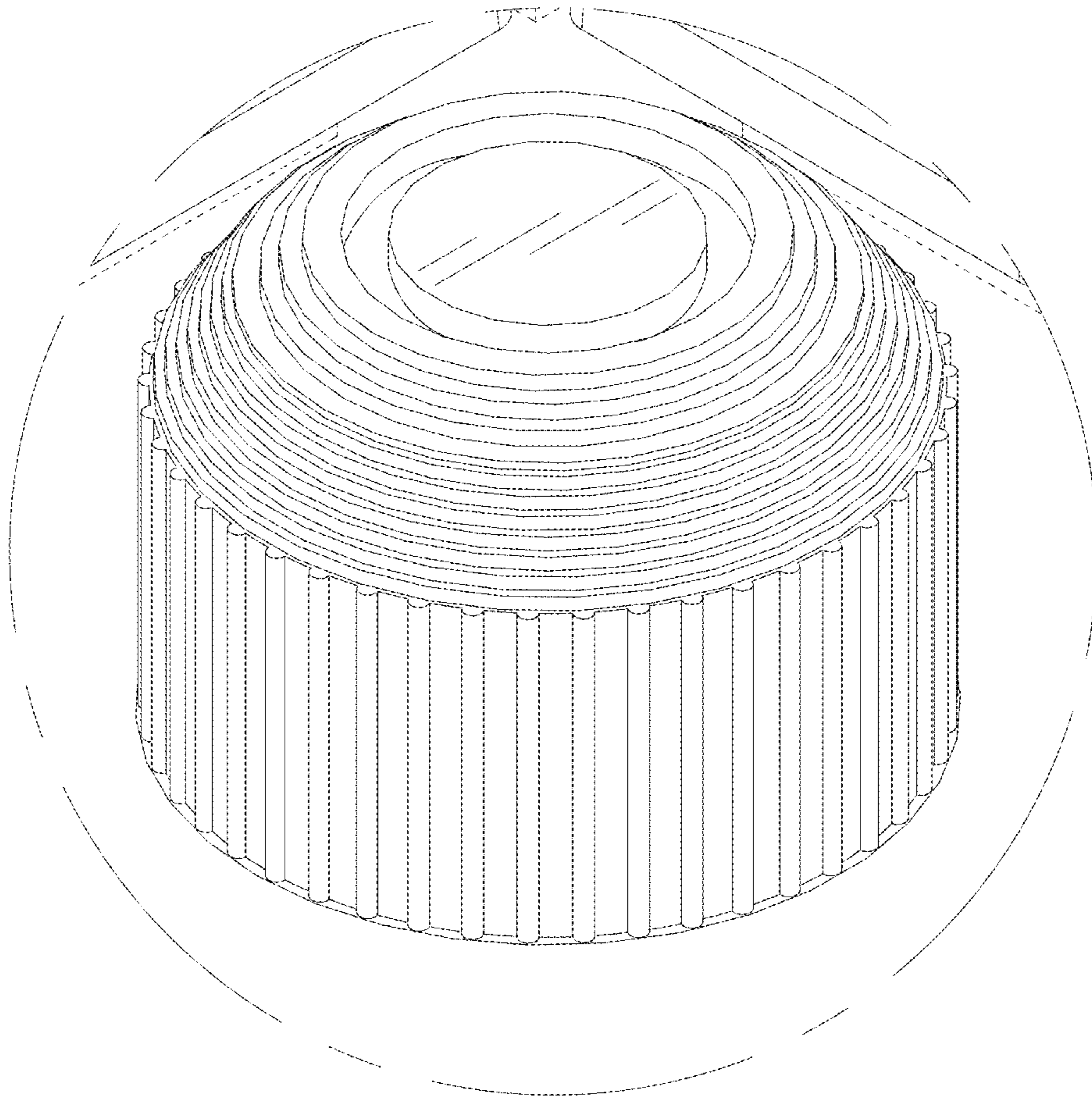


FIG.9

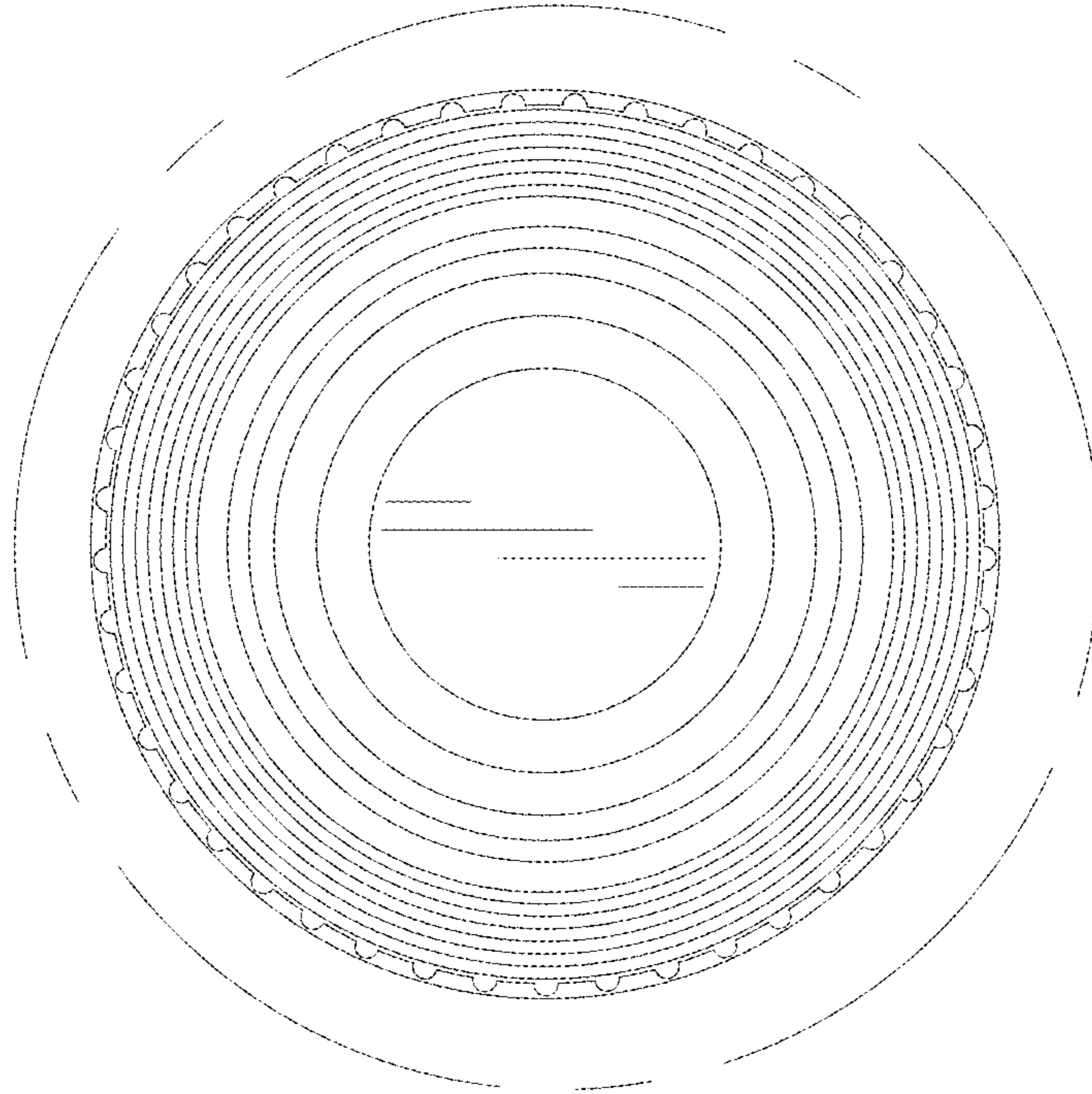


FIG.10