



US0D1039478S

(12) **United States Design Patent** (10) **Patent No.: US D1,039,478 S**
Garza et al. (45) **Date of Patent: ** *Aug. 20, 2024**

(54) **RAIL FOR SOLAR MODULES**
(71) Applicants: **David G. Garza**, Plano, TX (US);
Horacio Duhart, Plano, TX (US)
(72) Inventors: **David G. Garza**, Plano, TX (US);
Horacio Duhart, Plano, TX (US)
(*) Notice: This patent is subject to a terminal disclaimer.
(**) Term: **15 Years**
(21) Appl. No.: **29/827,682**
(22) Filed: **Feb. 22, 2022**
(51) **LOC (14) Cl.** **13-02**
(52) **U.S. Cl.**
USPC **D13/102**
(58) **Field of Classification Search**
USPC D13/102, 118, 184, 199; D8/72, 74, 349,
D8/354, 355; D25/60
CPC F24J 2/38; F24J 2/40; F24J 2/54; F24J
2/405; F24J 2/4638; F24J 2002/385;
H01L 31/042; H01L 31/043; H01L
31/052; H01L 31/0525; Y02E 10/47;
Y02E 10/50; H02S 20/23; F16B 2/065
See application file for complete search history.

(56) **References Cited**
U.S. PATENT DOCUMENTS
D242,626 S * 12/1976 Scrivener D25/123
5,762,720 A * 6/1998 Hanoka B32B 17/10302
52/173.3

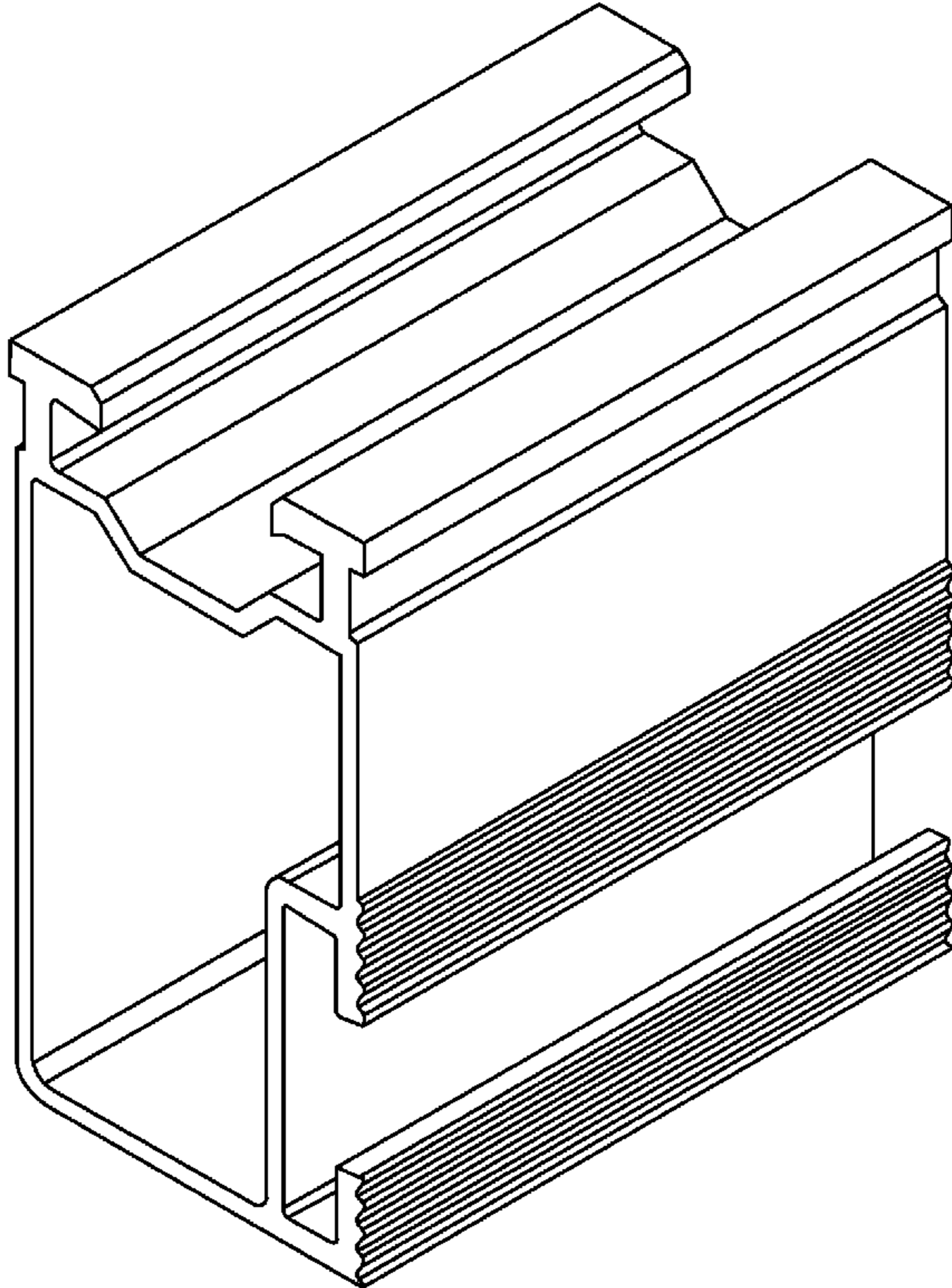
D627,717 S * 11/2010 Munoz D13/102
8,387,319 B1 * 3/2013 Gilles-Gagnon F24S 25/33
52/173.3
D699,176 S * 2/2014 Salomon D13/102
D772,801 S * 11/2016 Sweeney D13/102
9,638,223 B2 * 5/2017 Redel F24S 25/37
D909,180 S * 2/2021 Kovacs D8/349
2017/0237386 A1 * 8/2017 Stephan F16B 2/065
248/316.6
2020/0116191 A1 * 4/2020 Uppu H02S 20/00
* cited by examiner

Primary Examiner — Derrick E Holland
(74) *Attorney, Agent, or Firm* — Thrasher Associates, LLC

(57) **CLAIM**
The ornamental design for a rail for solar modules, as shown and described.

DESCRIPTION
FIG. 1 is a perspective view of a rail for solar modules;
FIG. 2 is a front view thereof;
FIG. 3 is a rear view thereof;
FIG. 4 is a top view thereof;
FIG. 5 is a bottom view thereof;
FIG. 6 is a left-side view thereof; and,
FIG. 7 is a right-side view thereof.

1 Claim, 7 Drawing Sheets



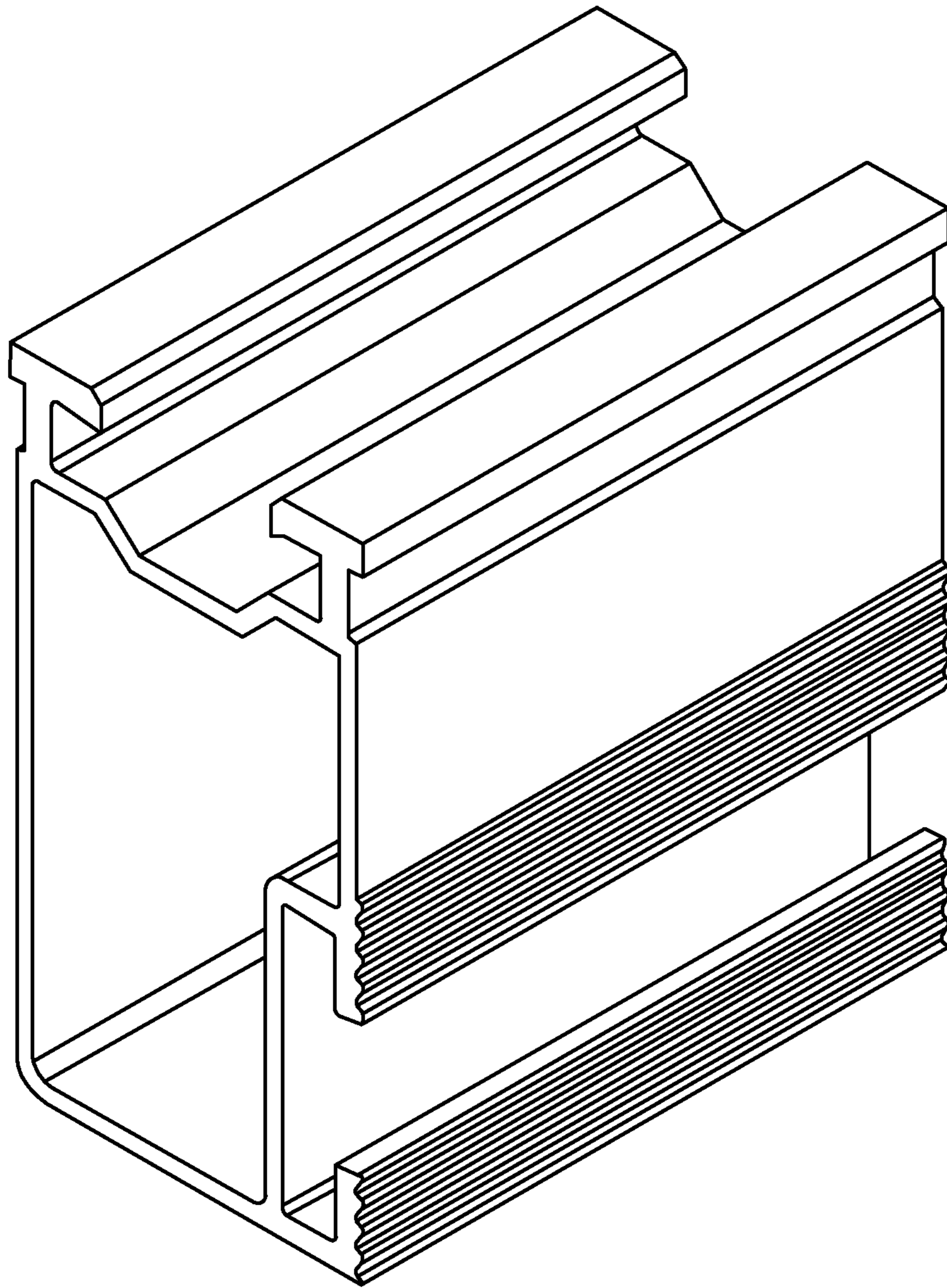


FIGURE 1

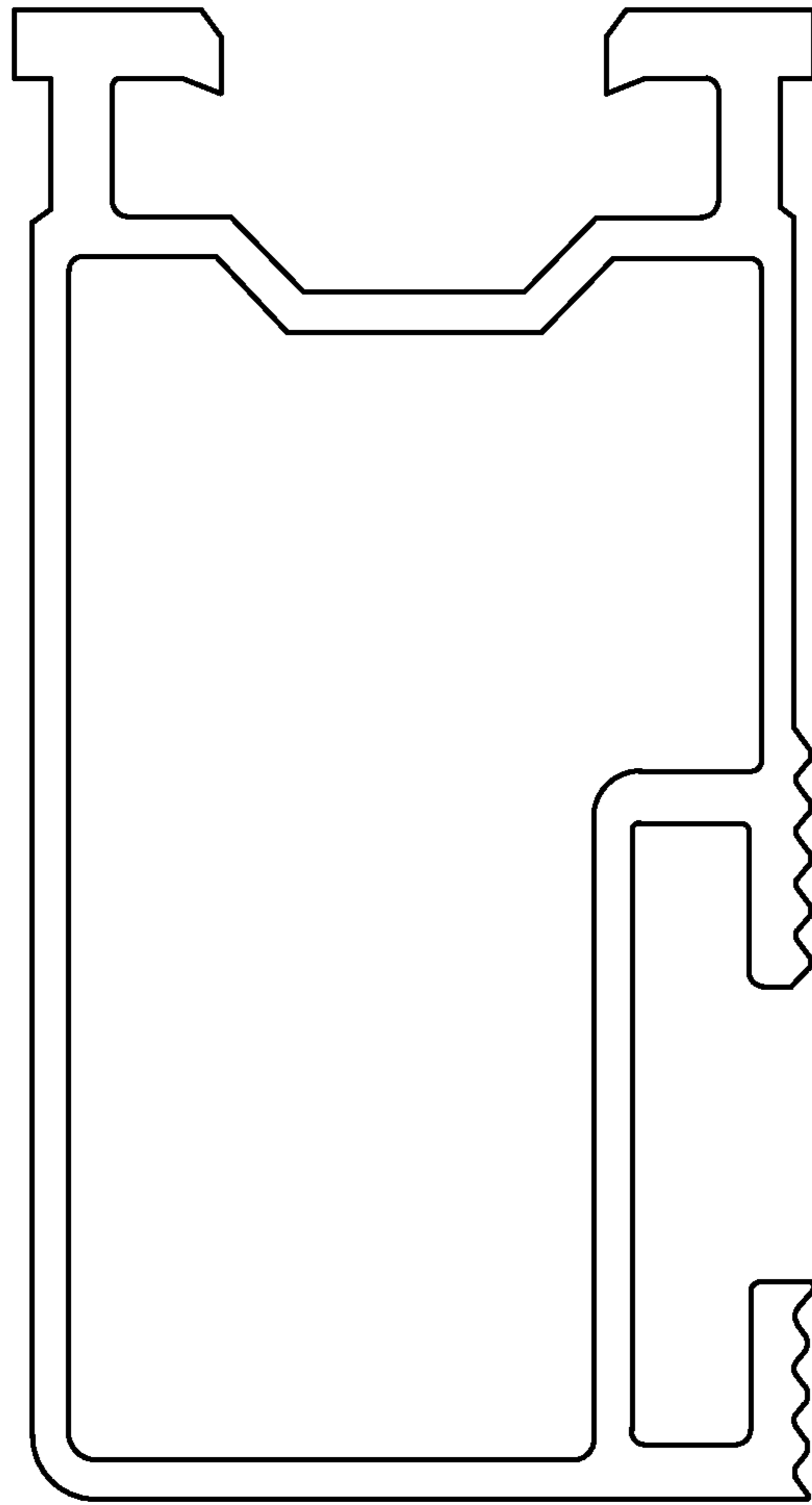


FIGURE 2

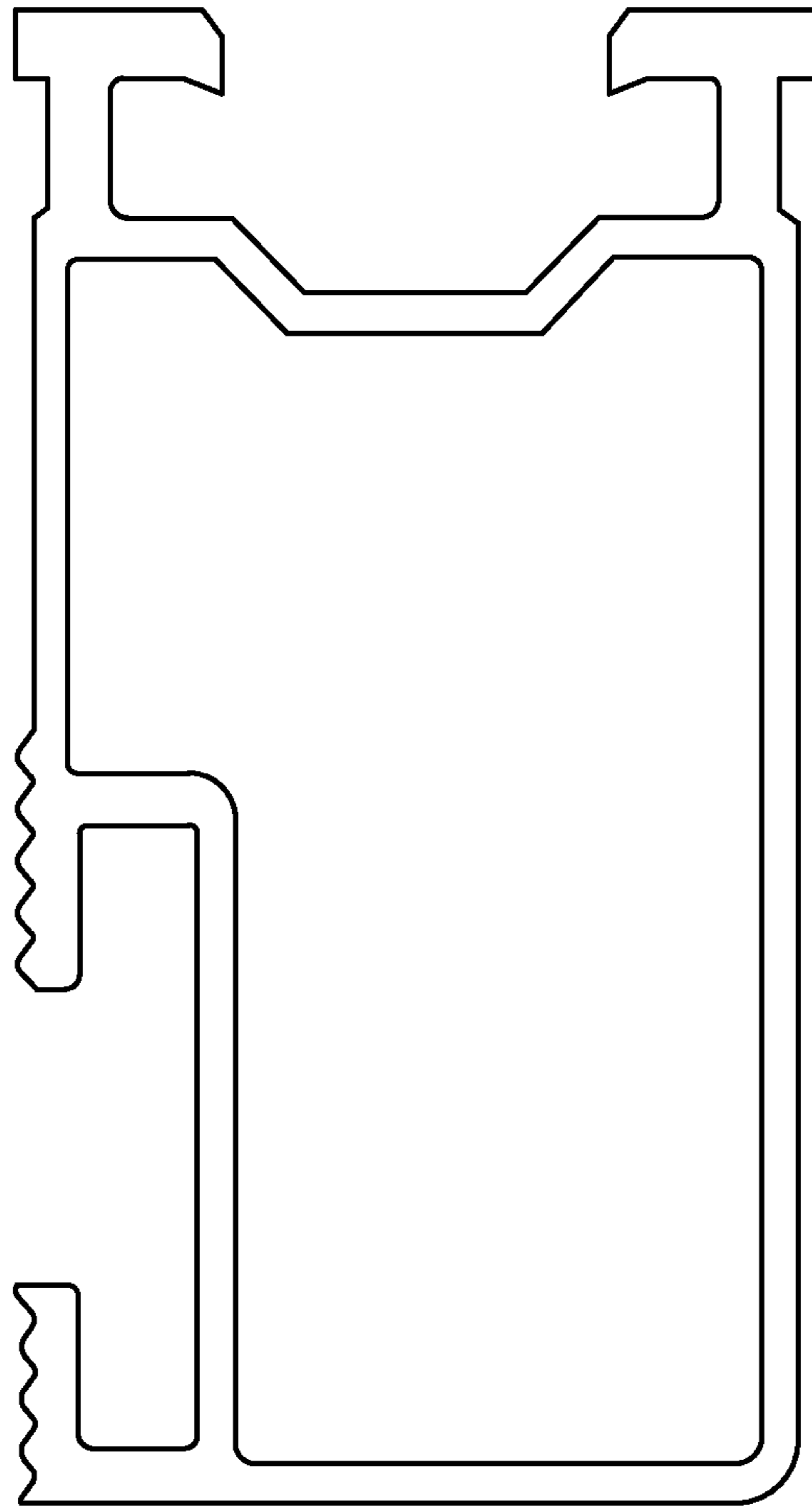


FIGURE 3

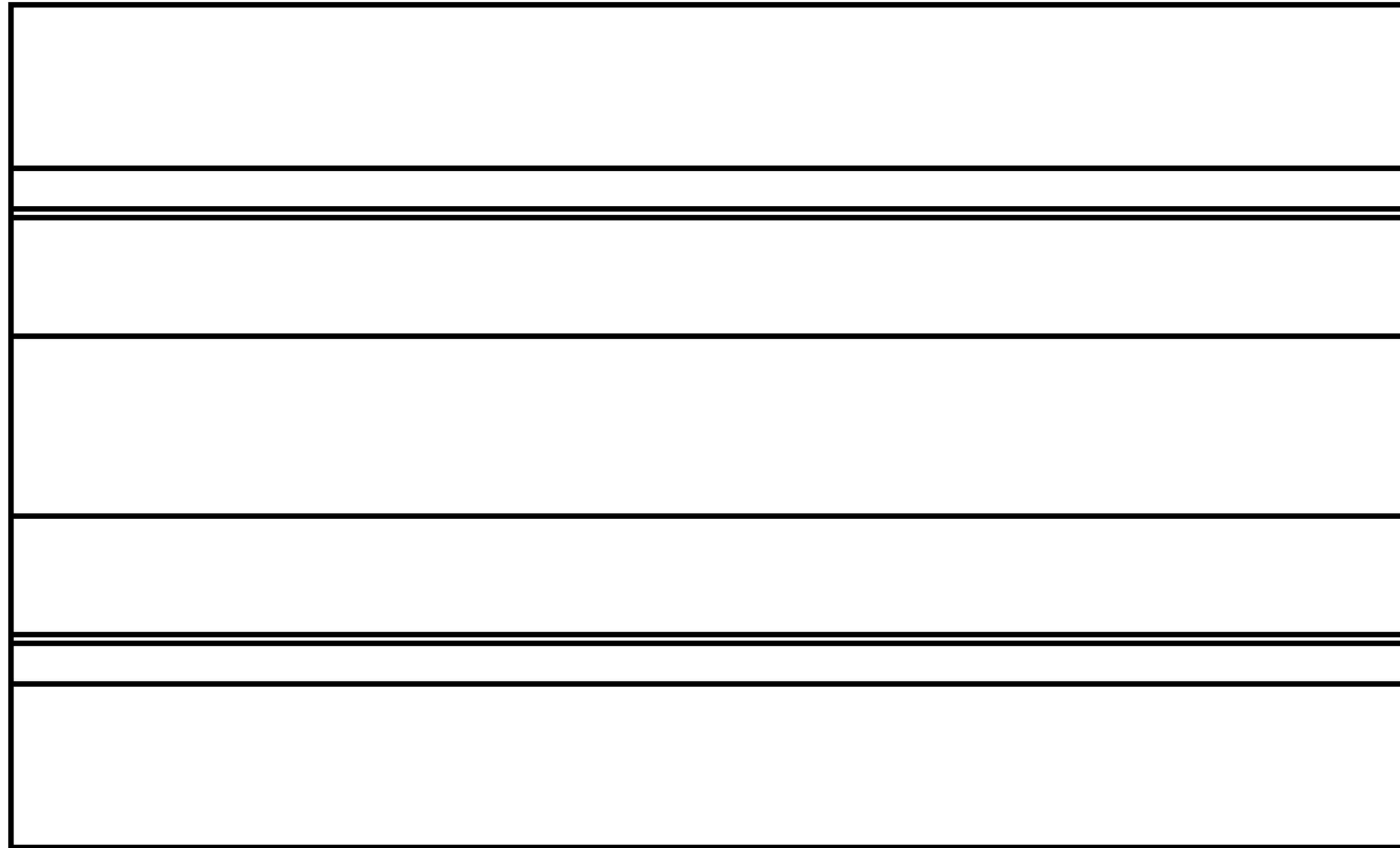


FIGURE 4

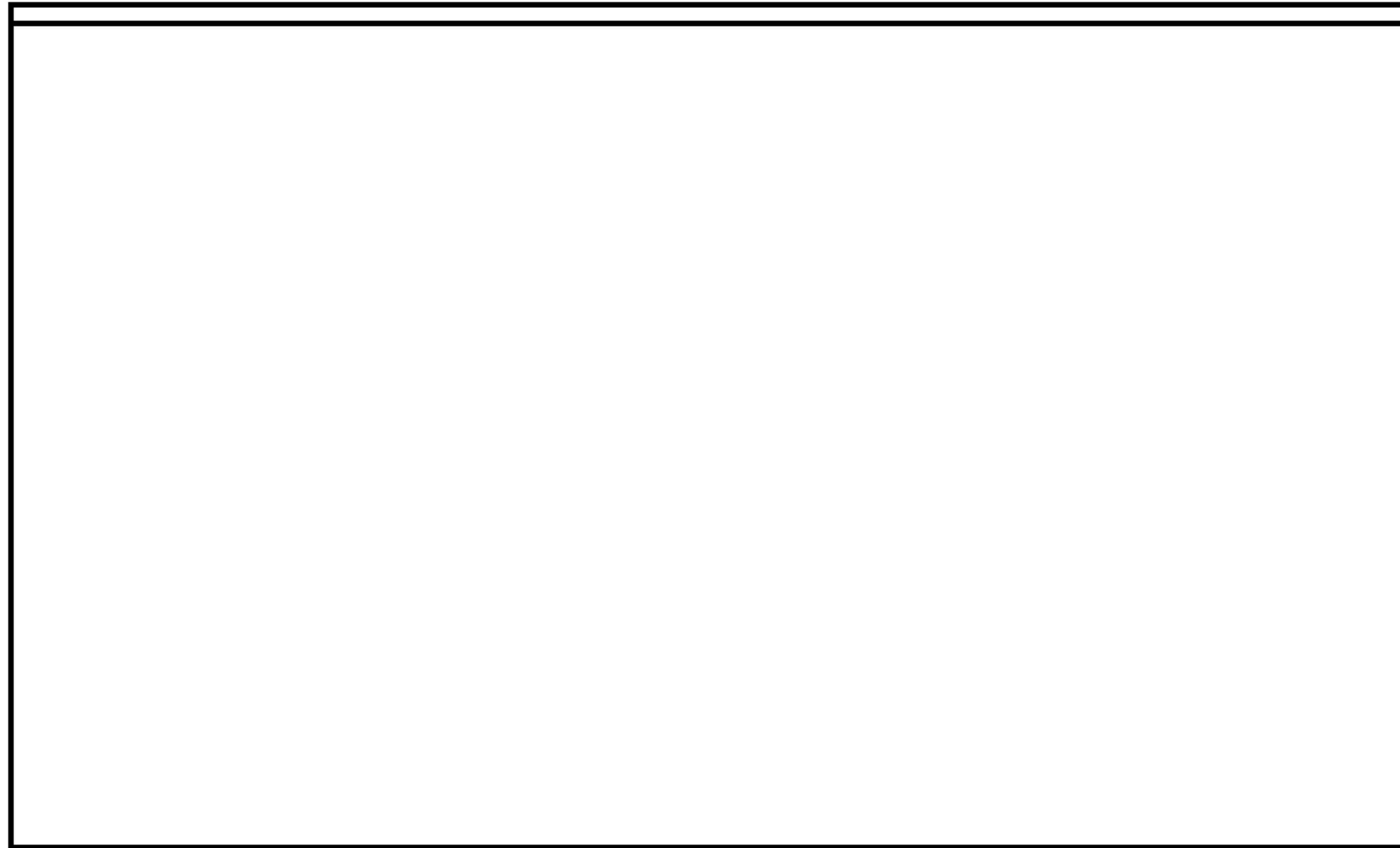


FIGURE 5

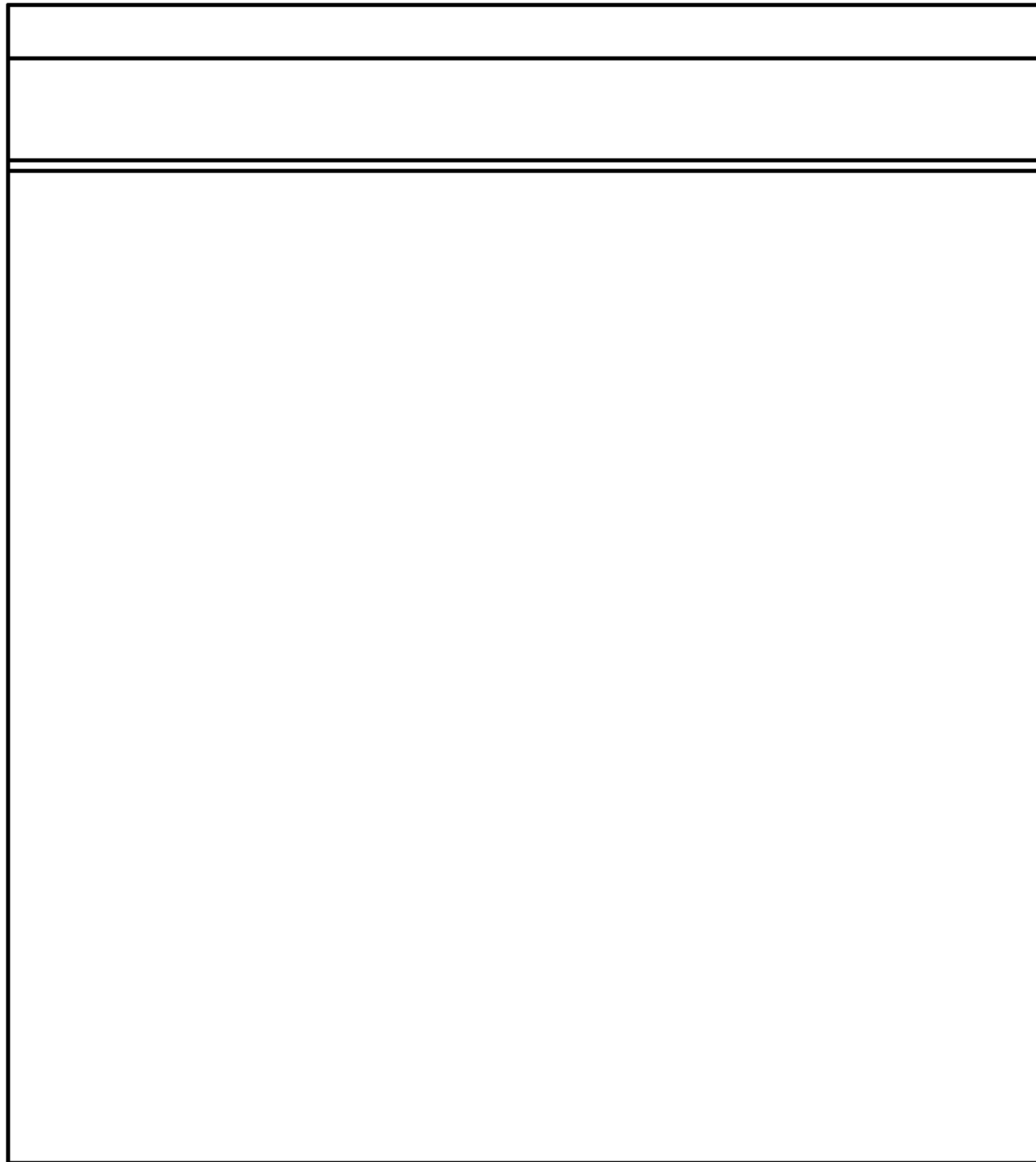


FIGURE 6

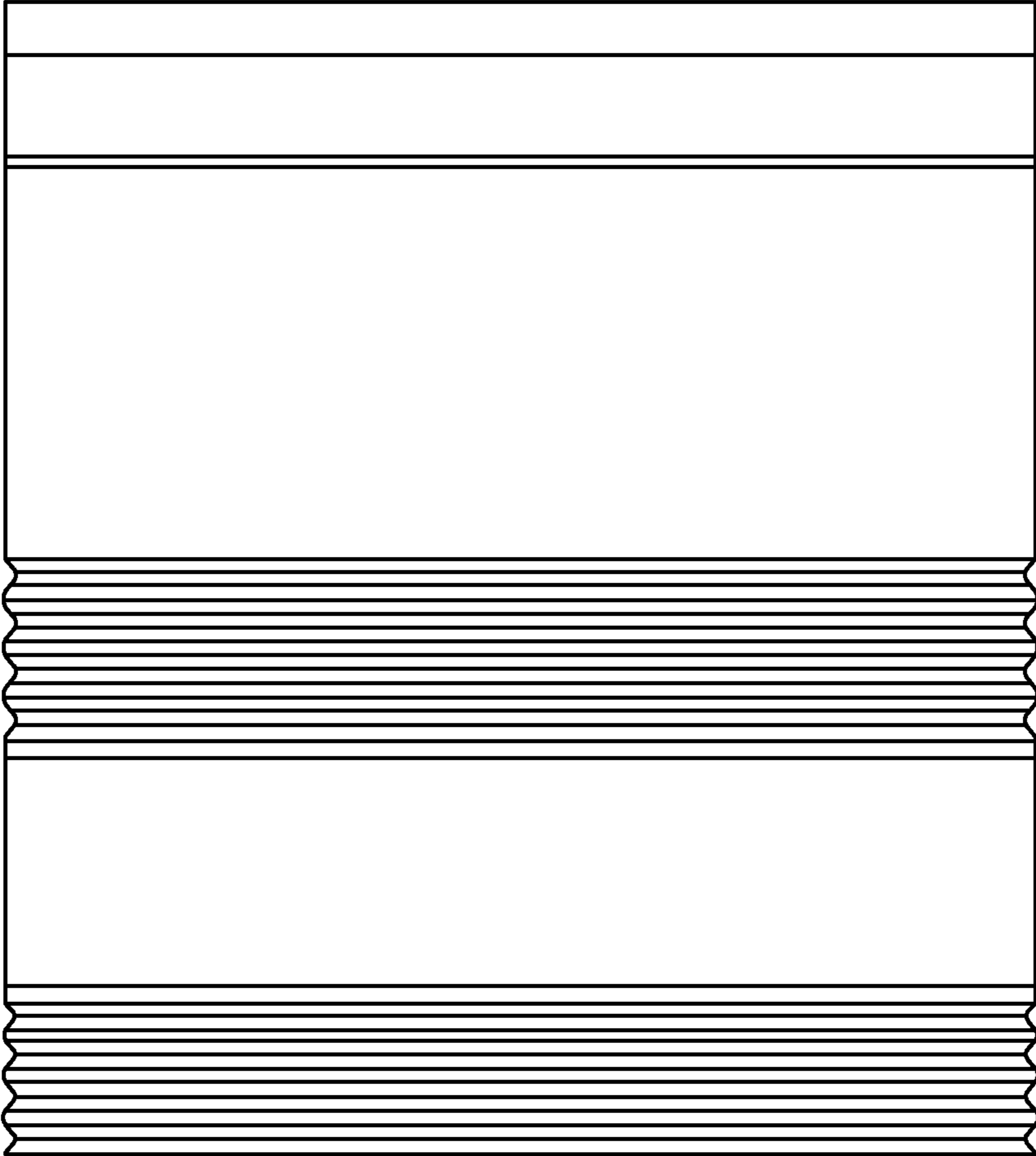


FIGURE 7