



US0D1039469S

(12) **United States Design Patent** (10) **Patent No.:** **US D1,039,469 S**
Harms et al. (45) **Date of Patent:** **** Aug. 20, 2024**

(54) **SUN VISOR MOUNTING SYSTEM**

(71) Applicant: **Trinity Innovative Solutions, LLC**,
Little Elm, TX (US)

(72) Inventors: **Dwight David Harms**, The Colony, TX
(US); **Timothy Francis Hall**, The
Colony, TX (US)

(73) Assignee: **TRINITY INNOVATIVE
SOLUTIONS LLC**, Little Elm, TX
(US)

(**) Term: **15 Years**

(21) Appl. No.: **29/723,762**

(22) Filed: **Feb. 10, 2020**

(51) **LOC (14) Cl.** **12-16**

(52) **U.S. Cl.**
USPC **D12/417**

(58) **Field of Classification Search**
USPC D14/371-382, 125-129, 335-337,
D14/447-452, 492, 239, 457, 439-441,
D14/432, 251-253; D8/349, 354, 363,
D8/373, 376, 380; 348/180, 184, 325,
348/739, 825; D12/191, 407, 415-417;
D3/218; 341/12; D13/108, 155;
296/97.8

(Continued)

(56) **References Cited**

U.S. PATENT DOCUMENTS

D148,736 S 2/1948 Travis
4,228,569 A 10/1980 Synder

(Continued)

Primary Examiner — Katie Jane Stofko

(74) *Attorney, Agent, or Firm* — J. Andrew Reed; Think
Differently Legal, PLLC

(57) **CLAIM**

The ornamental design for a sun visor mounting system, as
shown and described in FIGS. 1-11.

DESCRIPTION

FIG. 1 is a front, top and right side perspective view of a sun
visor mounting system;

FIG. 2 is a rear, bottom and left side perspective view
thereof;

FIG. 3 is a top plan view thereof;

FIG. 4 is a bottom plan view thereof;

FIG. 5 is a front perspective view thereof;

FIG. 6 is a rear perspective view thereof;

FIG. 7 is a front, bottom and left side perspective view
thereof;

FIG. 8 is a left, top perspective view of a joining plate of the
sun visor mounting system;

FIG. 9 is a bottom, right side perspective view of an
extension plate of the sun visor mounting system;

FIG. 10 is a rear perspective view of a mounting plate of the
sun visor mounting system;

FIG. 11 is a top, left side perspective view thereof;

FIG. 12 is a rear, right side and bottom perspective view
thereof, shown in an environment of use; and,

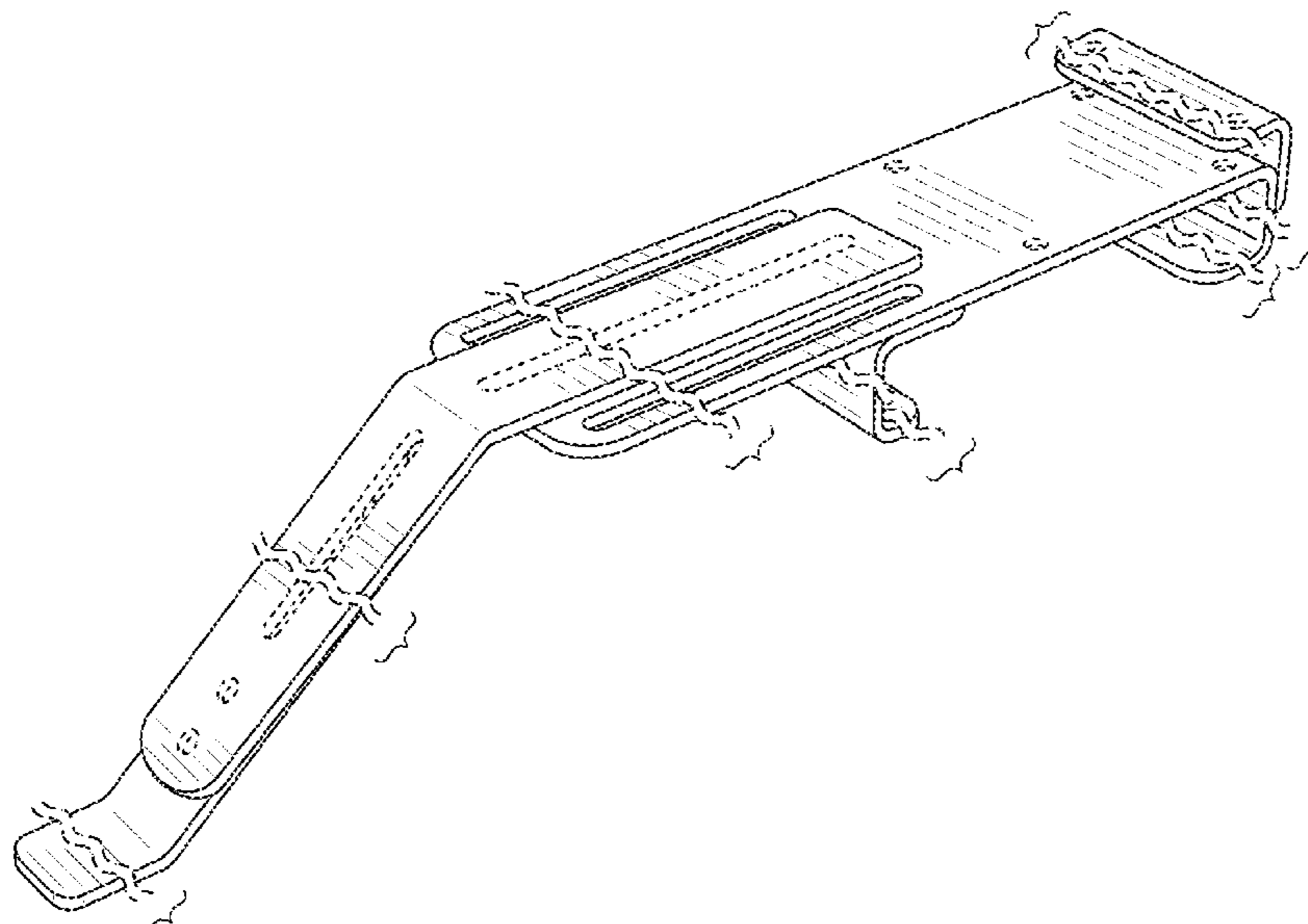
FIG. 13 is another rear, right side and bottom perspective
view thereof, shown in an environment of use.

The break lines shown throughout the sun visor mounting
system in the Figures indicate that the appearance of any
portion of the article between the break lines forms no part
of the claim design.

The broken lines in FIGS. 1-11 illustrate portions of the sun
visor mounting system that form no part of the claimed
design.

The broken lines illustrating the vehicle, radar detector,
monitor, and wires shown in FIGS. 12 and 13 illustrate
environment which form no part of the claimed design,
while the remaining broken lines illustrate portions of the
sun visor mounting system that forms no part thereof.

1 Claim, 7 Drawing Sheets



(58) **Field of Classification Search**
 CPC G06F 3/0412; G06F 3/016; G06F 3/0488;
 G06F 3/011; G06F 3/038; G06F 3/03543;
 G06F 3/0338; G06F 3/0202; G06F
 3/0219; G06F 3/0213; G06F 1/1616;
 G06F 3/023; G06F 3/04883; G02F
 1/13338; G02F 1/1313; G02F 1/1333;
 G02F 1/135; G02F 1/132; G02F
 1/133308; G02F 1/134309; G02F
 1/13718; G09G 3/3648; G06K 15/1252;
 B41J 2/465; G03F 7/70291; G02B
 27/0172; G02B 5/30; G02B 2027/0118;
 G02B 27/0101; F16M 13/02; F16M
 13/00; F16M 11/10; F16M 11/04; F16M
 2200/08; F16M 11/2021; A47B 21/0314;
 A47B 88/044; A47B 2021/0335; H02G
 3/126; F16B 47/00; F16B 47/006; A47G
 1/17; A47K 2201/00

See application file for complete search history.

(56) **References Cited**

U.S. PATENT DOCUMENTS

D306,870 S 3/1990 Overstreet
 D310,167 S * 8/1990 Reber, II D8/395
 5,016,850 A 5/1991 Plahn
 5,124,847 A * 6/1992 Gong B60R 1/081
 359/865
 D331,005 S 11/1992 Plahn
 5,159,730 A 11/1992 Radvin
 5,208,618 A * 5/1993 Brunette B60R 11/00
 351/205
 5,246,193 A 9/1993 Faidley
 5,316,361 A * 5/1994 Miller B60J 3/0208
 296/97.8
 5,356,192 A * 10/1994 Schierau B60J 3/0208
 296/97.8

5,452,500 A 6/1995 Revis
 D364,269 S * 11/1995 Sabosky D3/207
 5,667,176 A * 9/1997 Zamarripa B60R 1/12
 248/231.51
 D386,215 S 11/1997 White et al.
 5,695,164 A 12/1997 Hartmann et al.
 D393,797 S 4/1998 Kostigian
 5,911,395 A 6/1999 Hussaini
 D438,452 S 3/2001 Tsai
 D477,029 S 7/2003 Korowitz
 D477,364 S 7/2003 Tsai
 D478,628 S 8/2003 Sheldon et al.
 D497,183 S 10/2004 Chiu
 D523,477 S 6/2006 Cetera
 D534,939 S 1/2007 Sheehan et al.
 D552,978 S 10/2007 Liao
 D563,452 S 3/2008 Tan et al.
 D564,559 S 3/2008 Stephens et al.
 D607,716 S 1/2010 Chiu
 D614,945 S 5/2010 Chiu
 7,762,512 B2 7/2010 Carnevali
 7,775,486 B2 8/2010 Depay et al.
 D631,509 S 1/2011 Liang
 D637,480 S 5/2011 Chen et al.
 D679,700 S 4/2013 Werth
 D682,332 S 5/2013 Wang et al.
 D702,535 S * 4/2014 Rothbaum D8/356
 D715,790 S 12/2014 Conomos
 D730,160 S * 5/2015 Rothbaum D8/356
 9,797,422 B2 * 10/2017 Giannatti E05D 7/1077
 D810,179 S 2/2018 Harms et al.
 D820,342 S 6/2018 Harms et al.
 D831,660 S 10/2018 Yao et al.
 D856,780 S 8/2019 Harms et al.
 D872,559 S 1/2020 Harms et al.
 D939,825 S * 1/2022 Omelchenko D19/197
 11,577,584 B2 * 2/2023 Harms B60J 3/0252
 2007/0063124 A1 * 3/2007 Kouchi B60R 11/04
 248/690

* cited by examiner

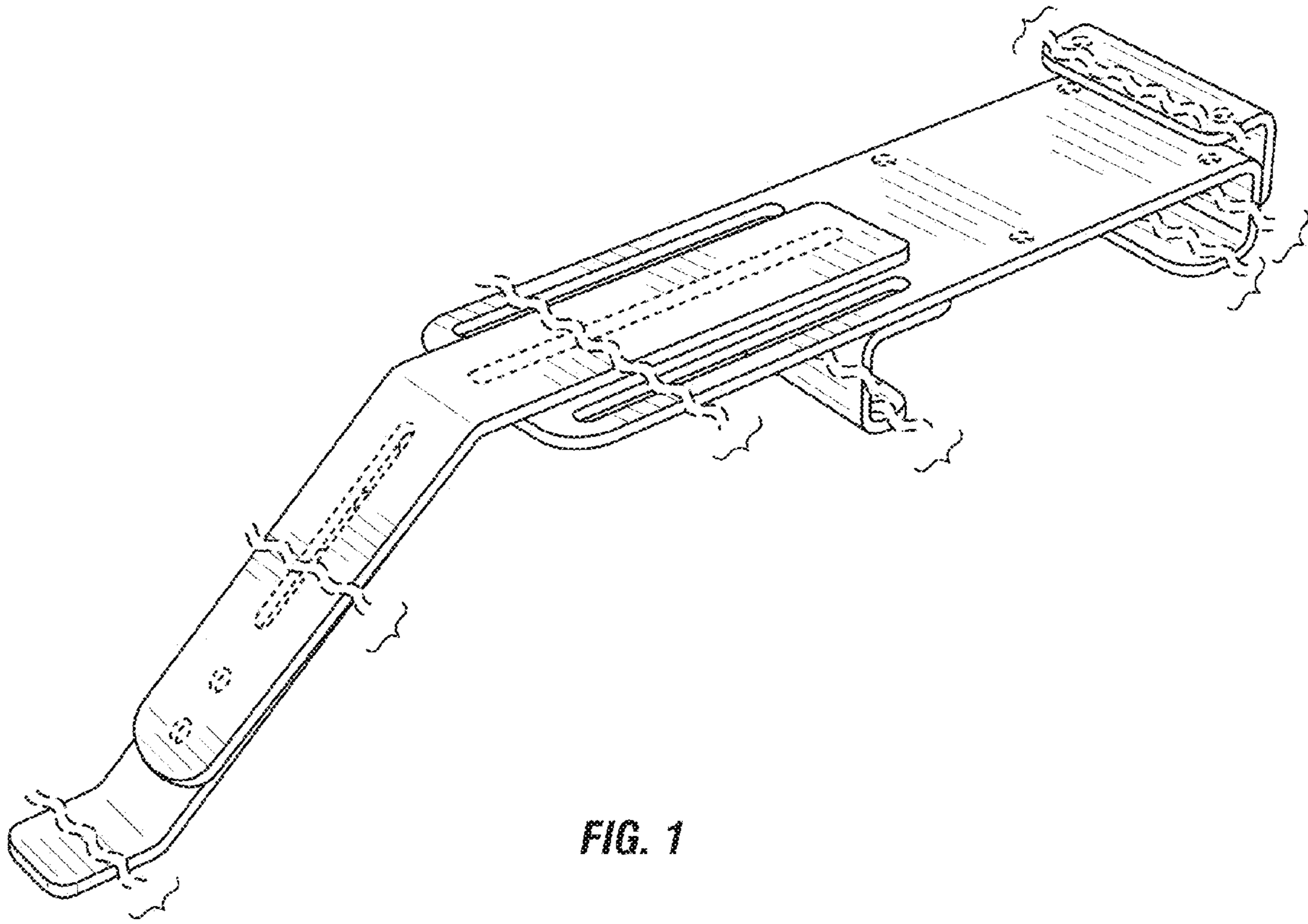


FIG. 1

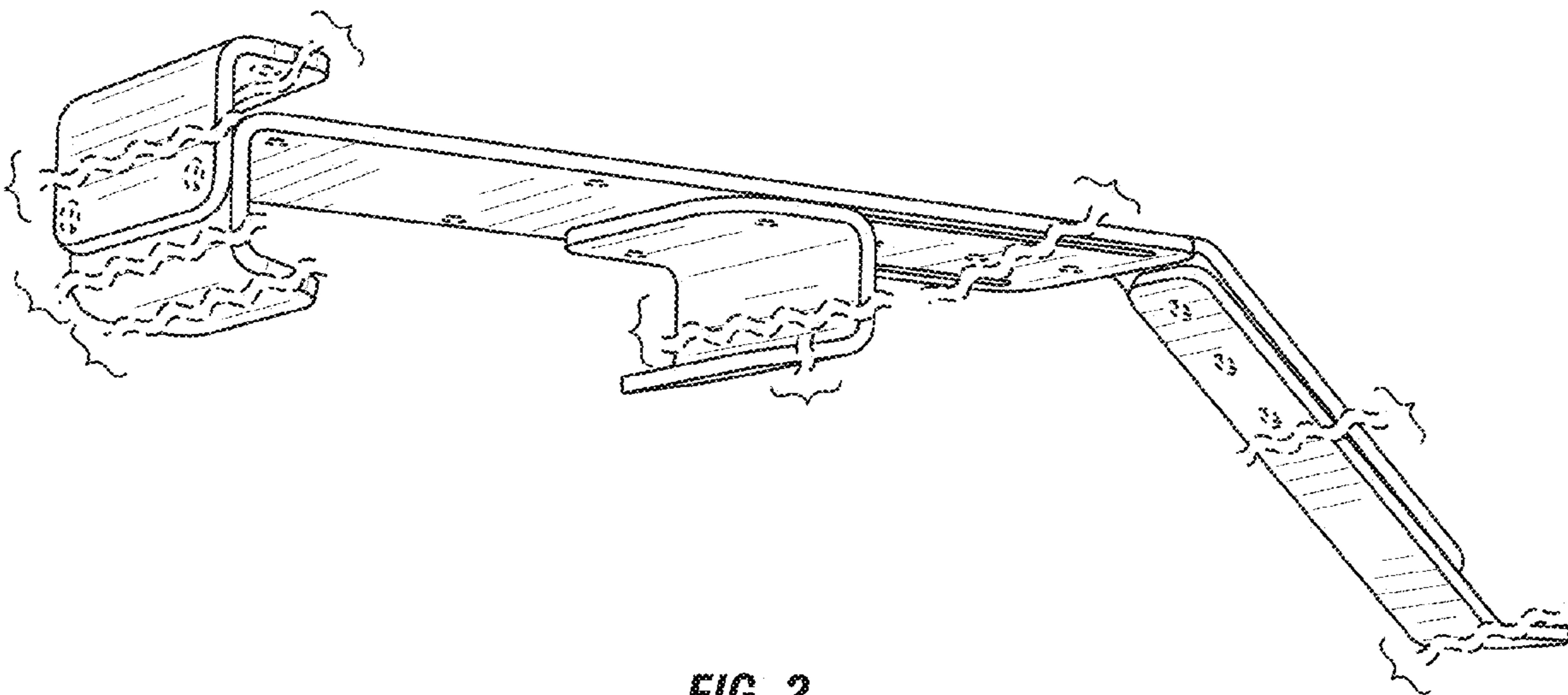


FIG. 2

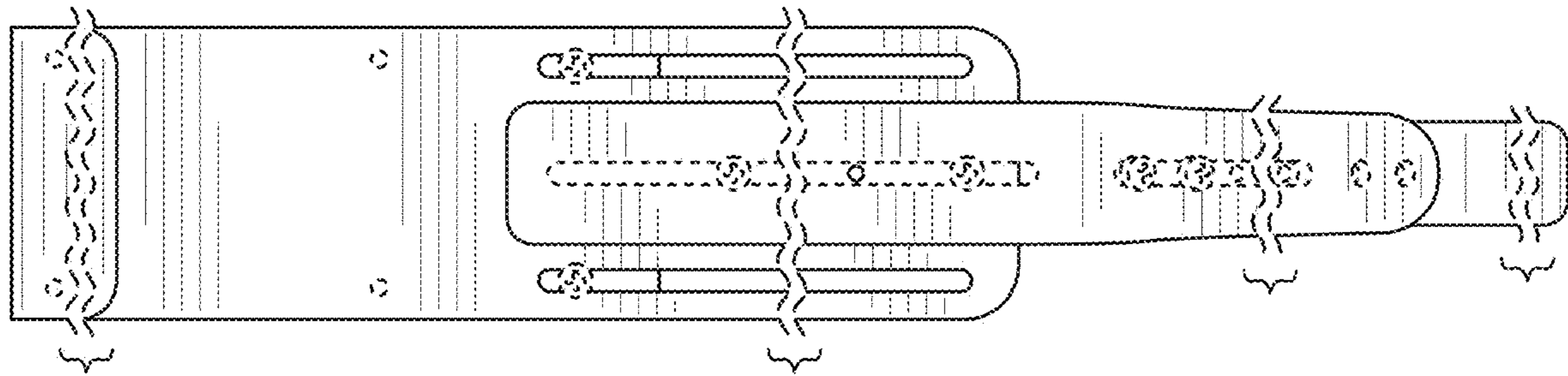


FIG. 3

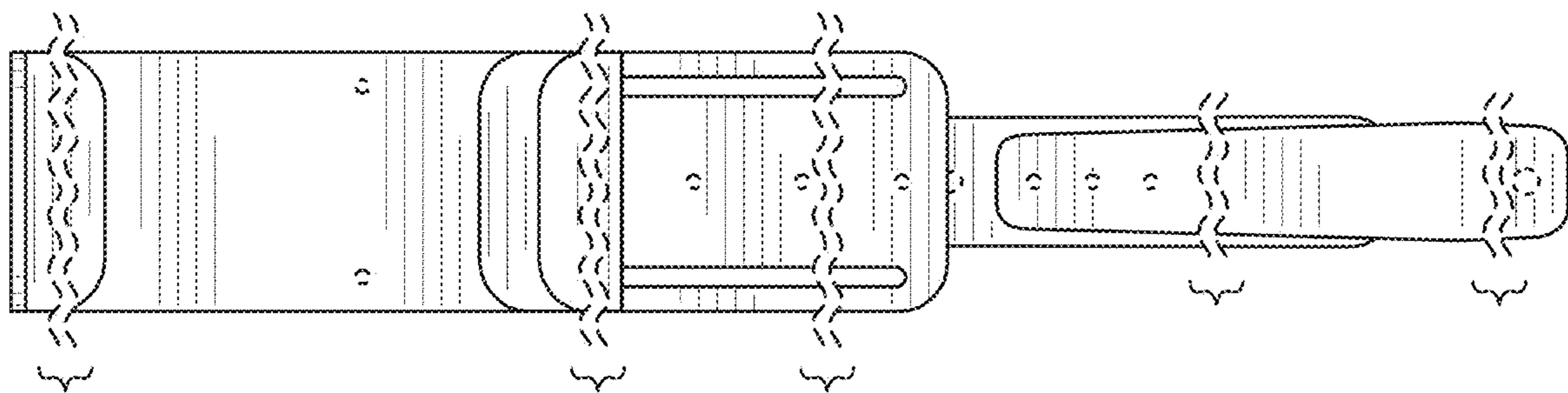


FIG. 4

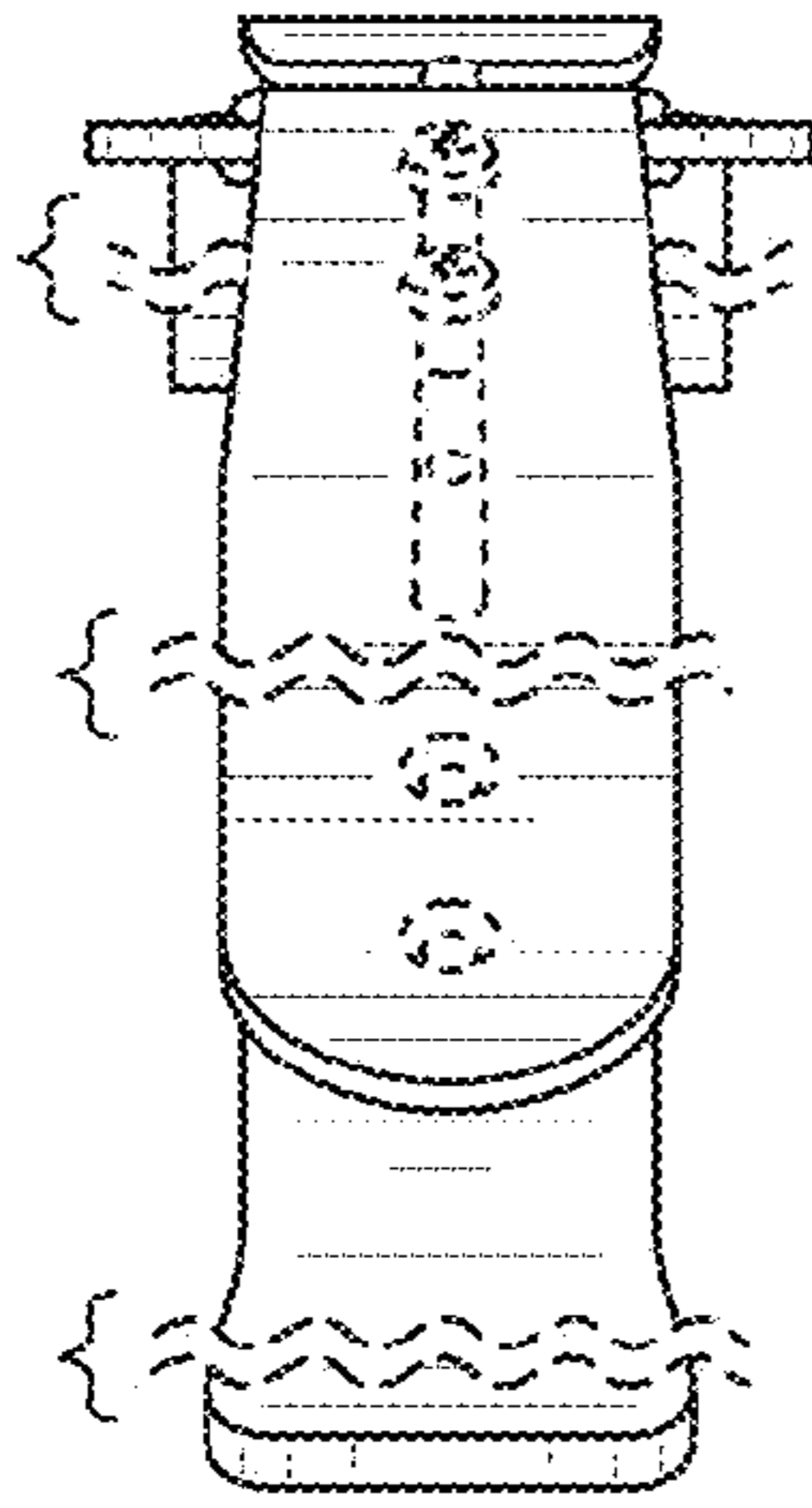


FIG. 5

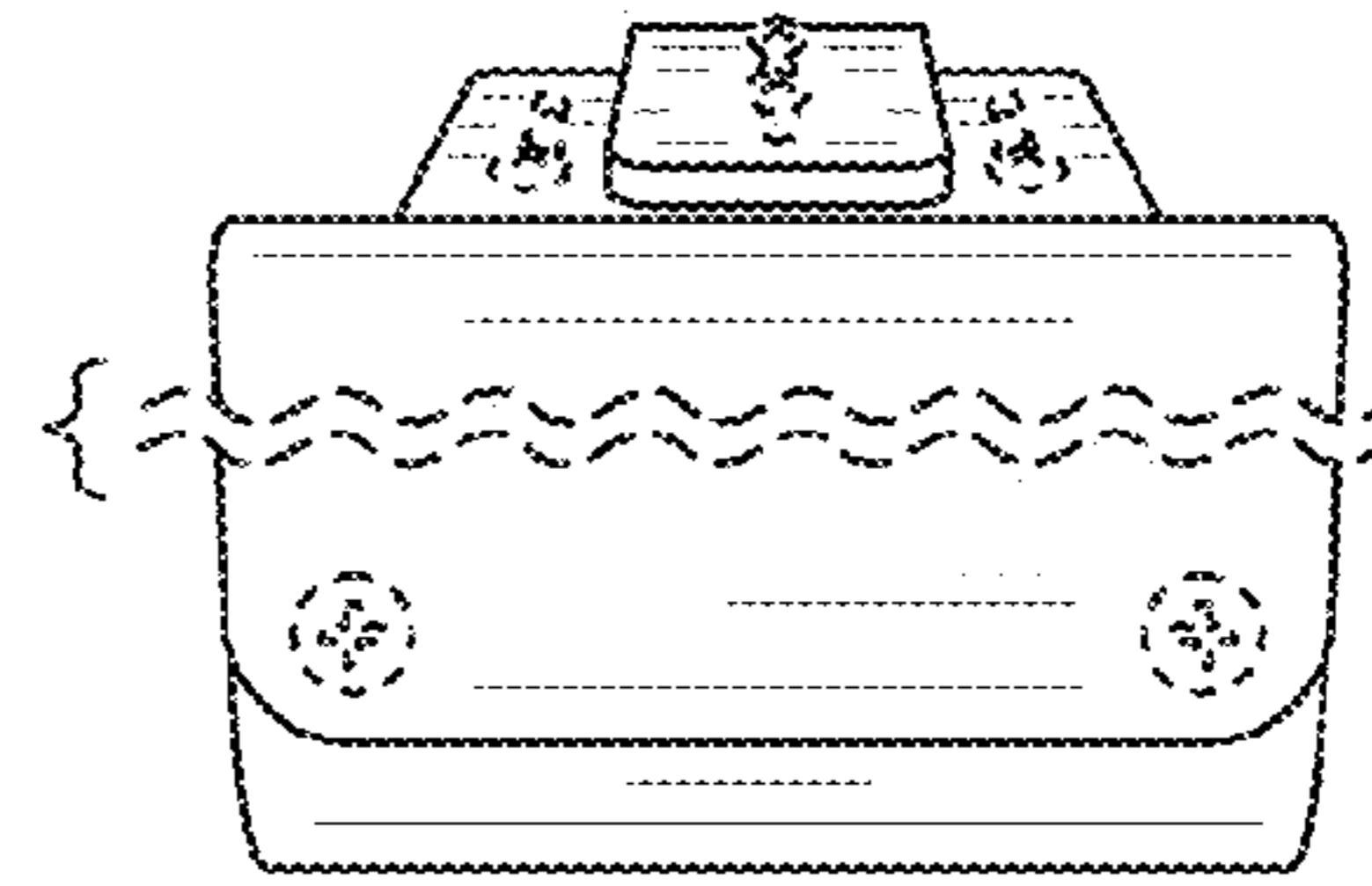


FIG. 6

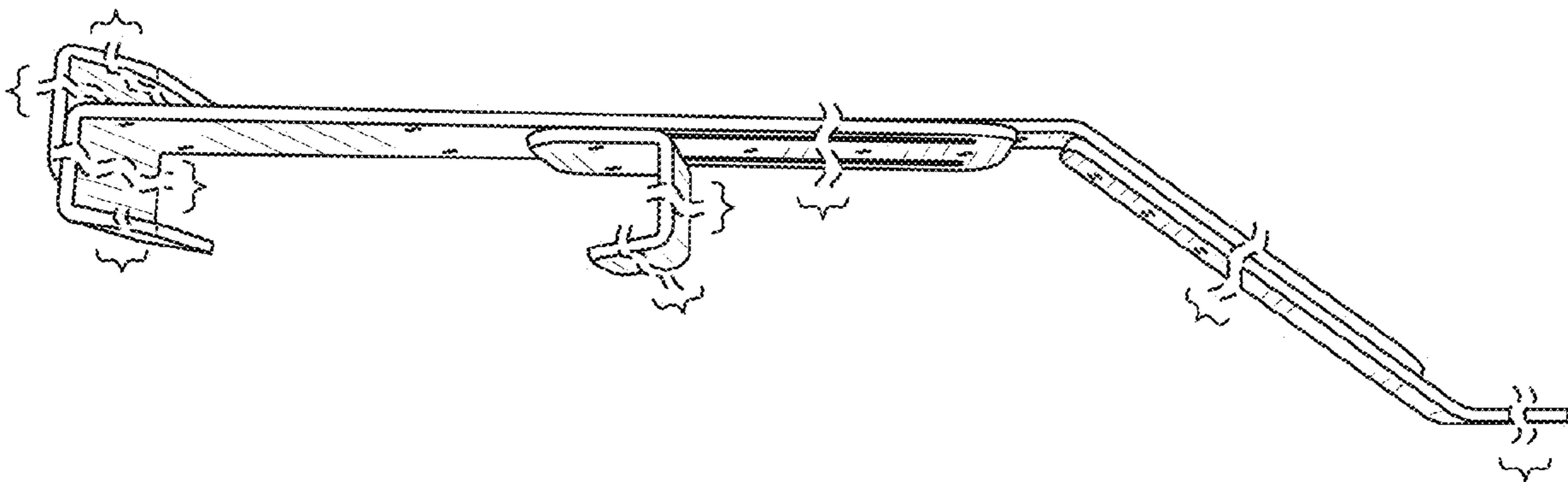


FIG. 7

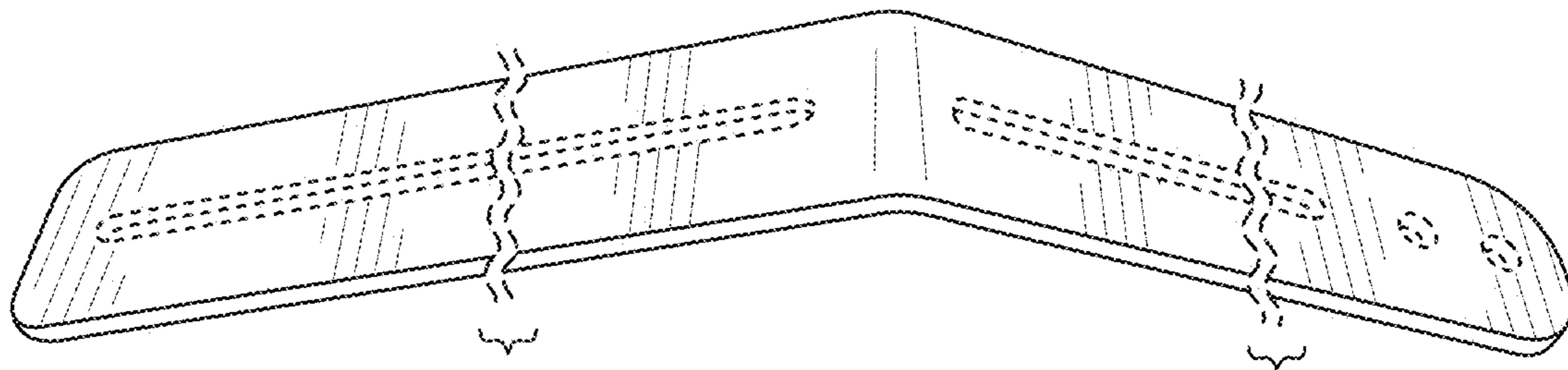


FIG. 8

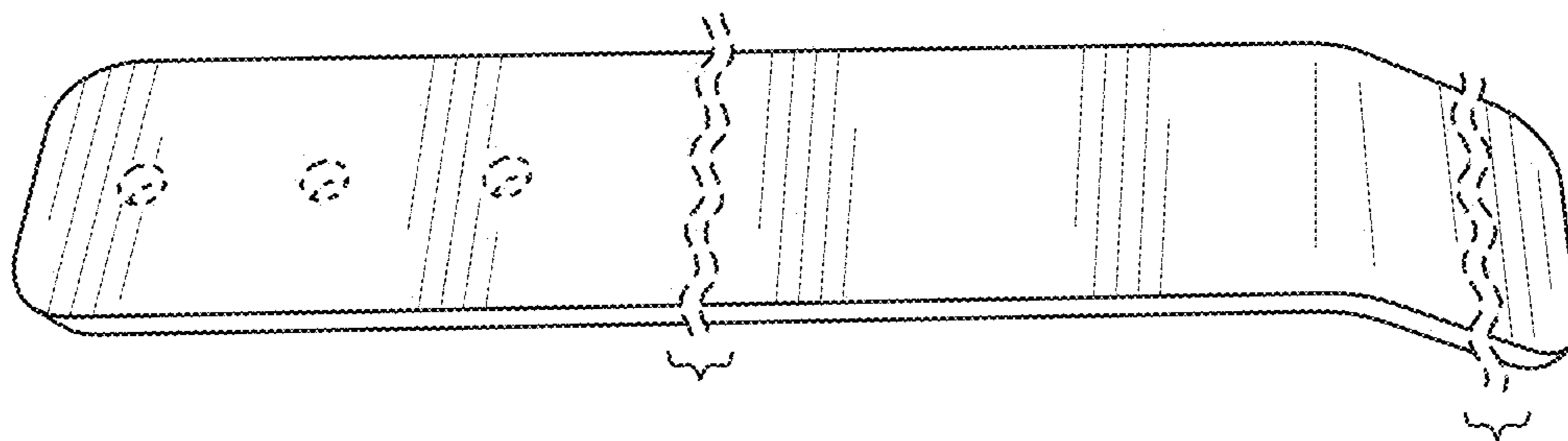


FIG. 9

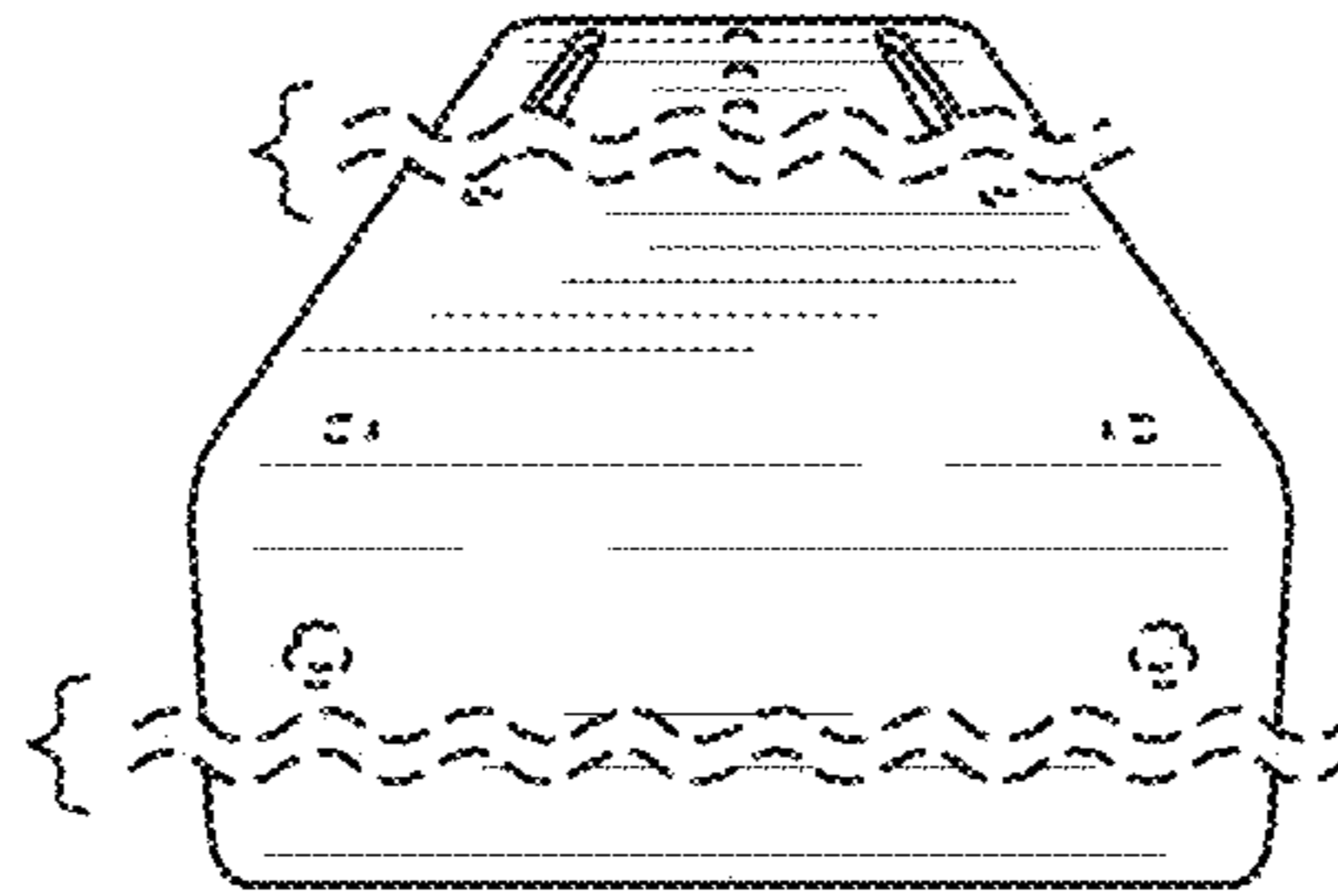


FIG. 10

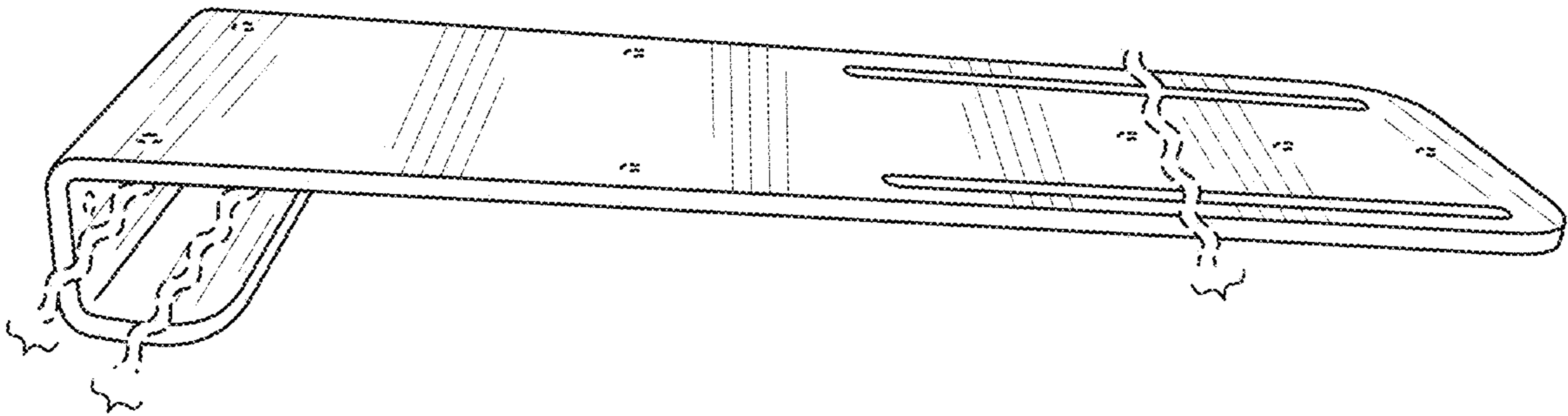


FIG. 11

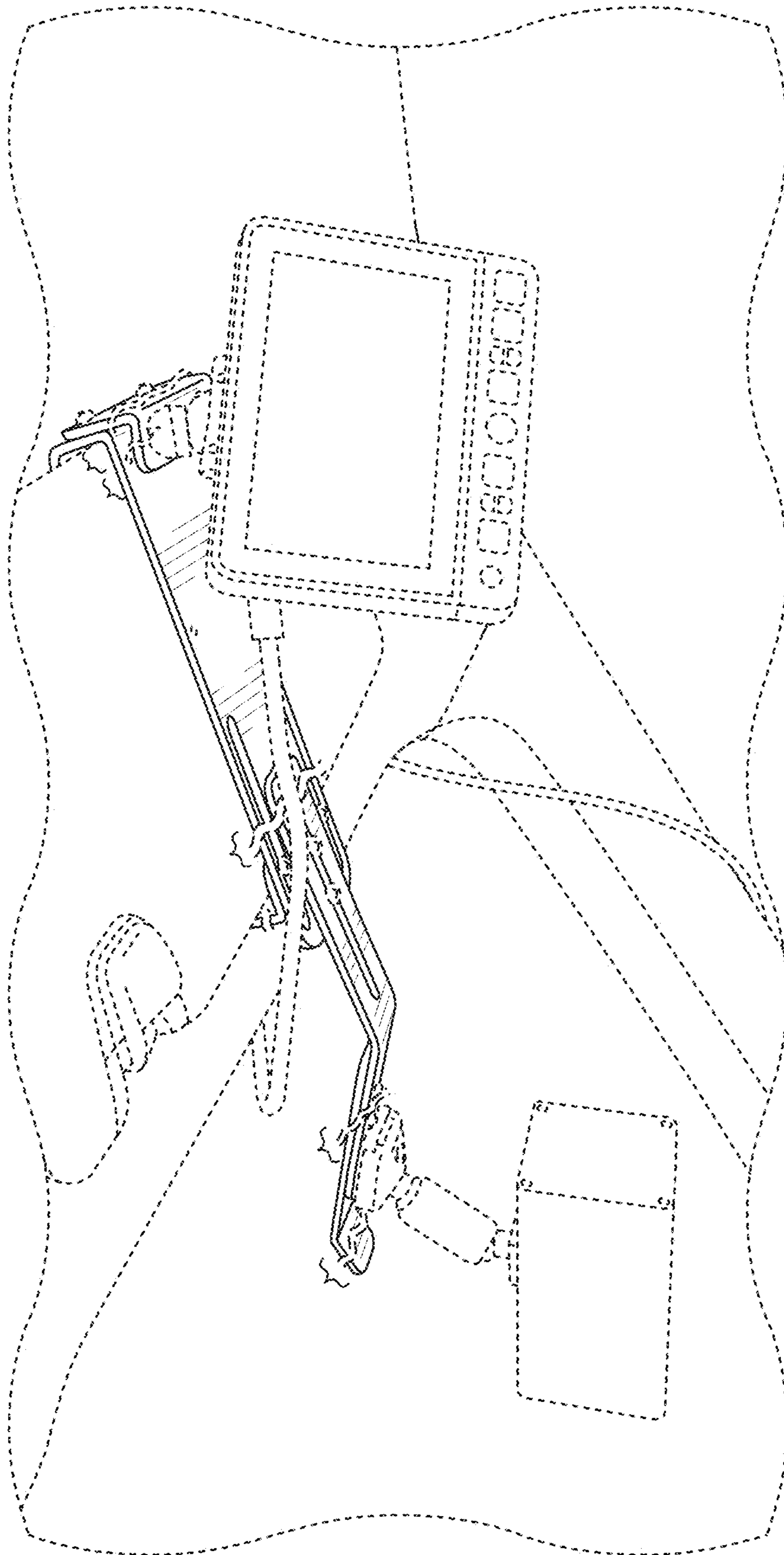


FIG. 12

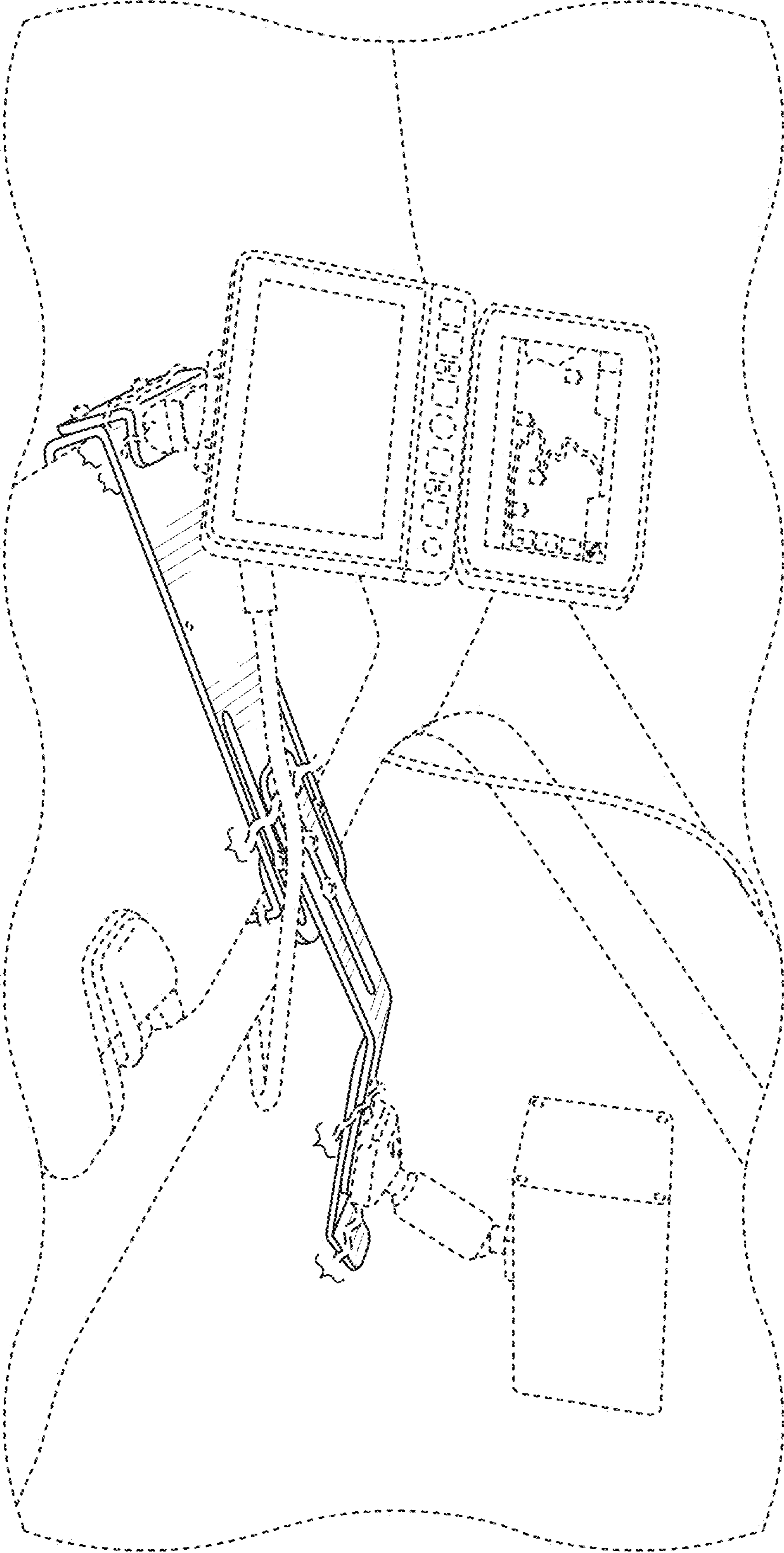


FIG. 13