



US0D1039405S

(12) **United States Design Patent**  
**Li et al.**

(10) **Patent No.:** **US D1,039,405 S**

(45) **Date of Patent:** **\*\* Aug. 20, 2024**

(54) **CHLORINE TESTER**

(71) Applicant: **SHENZHEN COOTWAY TECHNOLOGY CO., LTD.**, Shenzhen (CN)

(72) Inventors: **Daiquan Li**, Shenzhen (CN); **Ming Li**, Shenzhen (CN); **Benqiang Yin**, Shenzhen (CN)

(73) Assignee: **SHENZHEN COOTWAY TECHNOLOGY CO., LTD.**, Shenzhen (CN)

(\*\*) Term: **15 Years**

(21) Appl. No.: **29/924,228**

(22) Filed: **Jan. 18, 2024**

(51) **LOC (14) Cl.** ..... **10-04**

(52) **U.S. Cl.**  
USPC ..... **D10/81; D23/208**

(58) **Field of Classification Search**  
USPC ..... D10/81; D23/207, 208  
CPC ..... C02F 2103/42; C02F 1/688  
See application file for complete search history.

(56) **References Cited**

**U.S. PATENT DOCUMENTS**

4,630,634	A	*	12/1986	Sasaki	.....	C02F 1/688
						D23/207
D309,493	S	*	7/1990	Casberg	.....	D23/208
5,476,116	A	*	12/1995	Price	.....	E04H 4/1281
						422/279
D371,824	S		7/1996	Price et al.		
D526,382	S	*	8/2006	Thompson	.....	D23/208
D629,486	S	*	12/2010	Rossano	.....	D23/208
D736,344	S	*	8/2015	Chalifoux	.....	D23/208
D784,490	S	*	4/2017	Larouche	.....	D23/208
D837,078	S	*	1/2019	Elliott	.....	D10/81
D860,388	S		9/2019	Slocum		

D897,491	S	*	9/2020	Moore	.....	D23/208
D980,381	S	*	3/2023	Pike	.....	D23/207
D1,022,119	S	*	4/2024	Wan	.....	D23/208

**OTHER PUBLICATIONS**

Chsuiwe Pool Chlorine Floater, available in Amazon.com, date first available Jan. 17, 2024 [online], [site visited May 23, 2024], Available from the internet URL: <https://www.amazon.ca/Chsuiwe-Chlorine-Colorful-Dispenser-Adjustable/dp/B0CQJYRLQQ>. (Year: 2024).\*

\* cited by examiner

*Primary Examiner* — George D. Kirschbaum

*Assistant Examiner* — Lillian Embrey

(74) *Attorney, Agent, or Firm* — Kunzler Bean & Adamson, PC; Michael Bartholomew

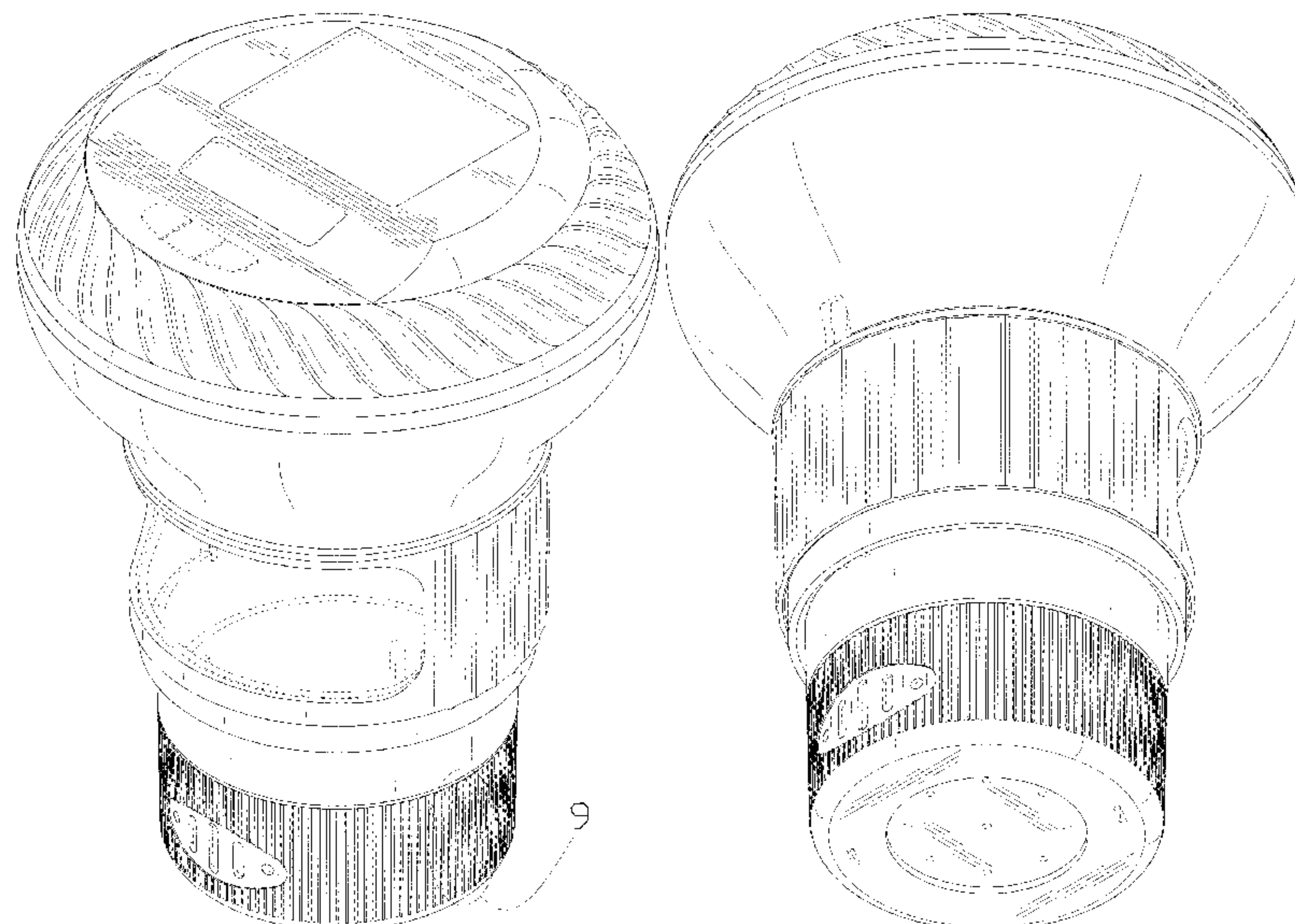
(57) **CLAIM**

The ornamental design for a chlorine tester, as shown and described.

**DESCRIPTION**

FIG. 1 is a front, right and top perspective view of a chlorine tester, showing our design.  
FIG. 2 is a rear, left and bottom perspective view thereof.  
FIG. 3 is a front elevation view thereof.  
FIG. 4 is a rear elevation view thereof.  
FIG. 5 is a left side elevation view thereof.  
FIG. 6 is a right side elevation view thereof.  
FIG. 7 is a top plan view thereof.  
FIG. 8 is a bottom plan view thereof; and,  
FIG. 9 is an enlarged view of detail 9 in FIG. 1.  
The broken lines depict portions of the chlorine tester that form no part of the claimed design.  
The dot-dash broken lines in FIGS. 1 and 9 depict the boundaries of the enlargements that form no part of the claimed design.

**1 Claim, 9 Drawing Sheets**



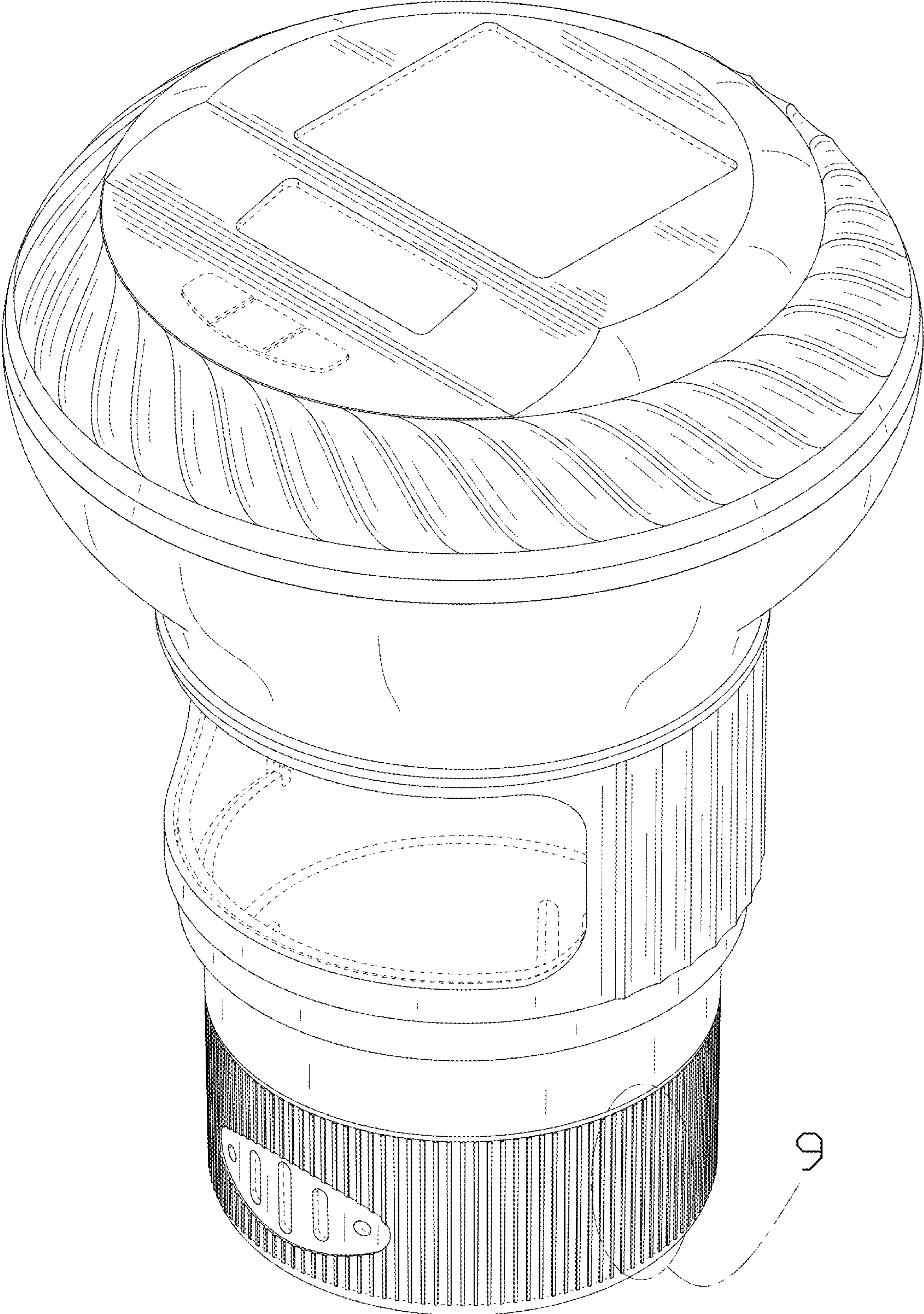


FIG. 1



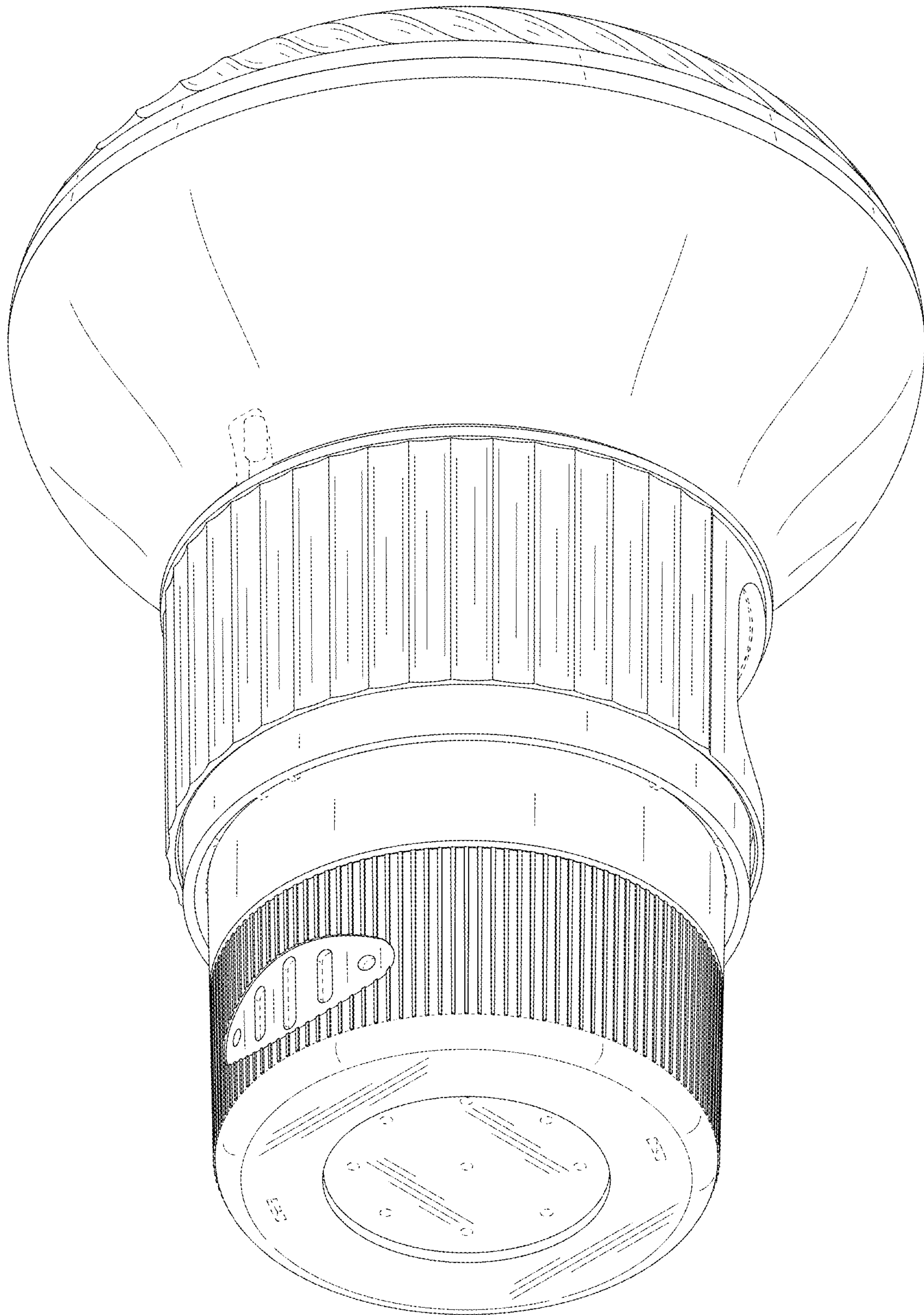


FIG. 2

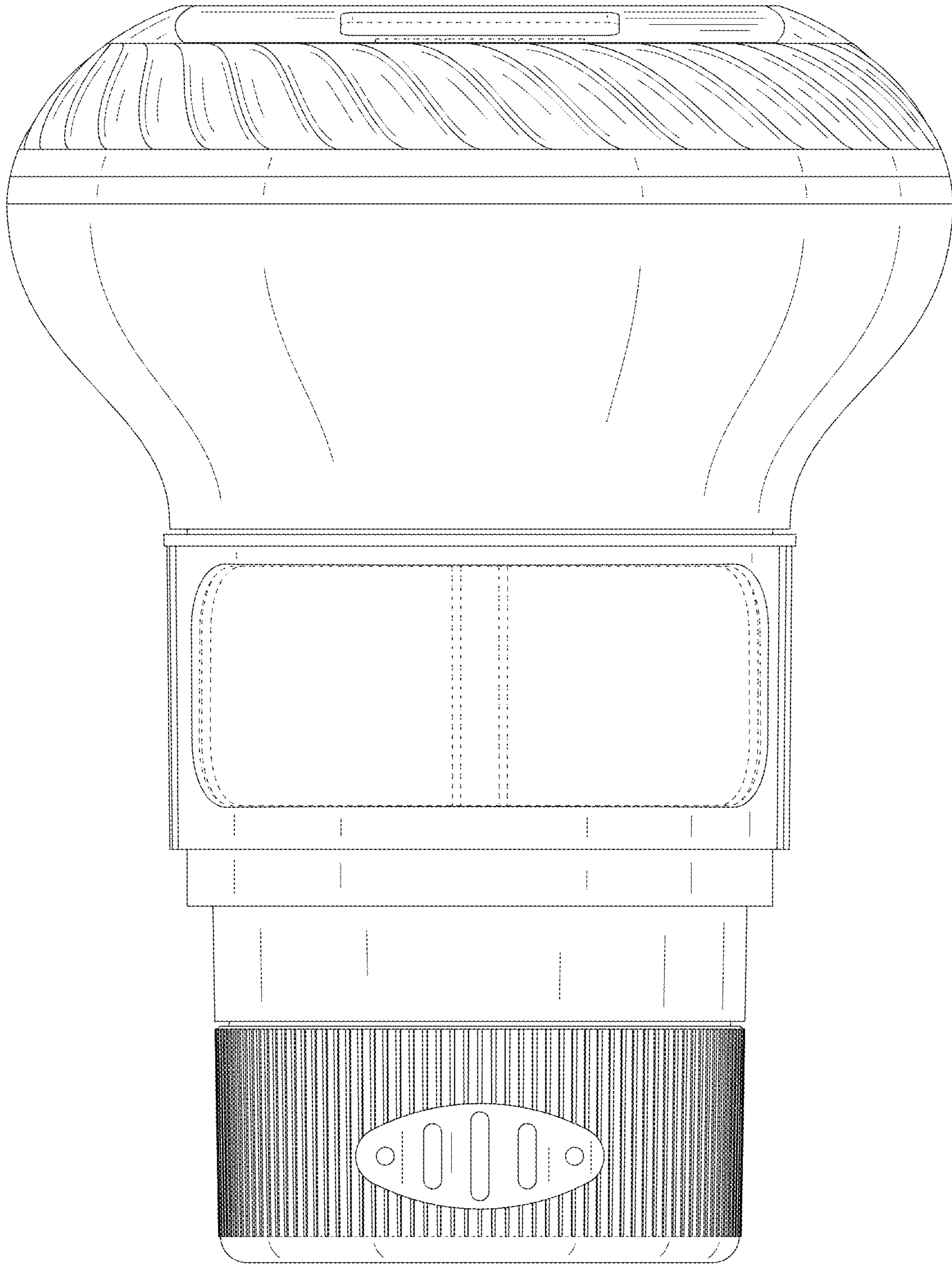


FIG. 3

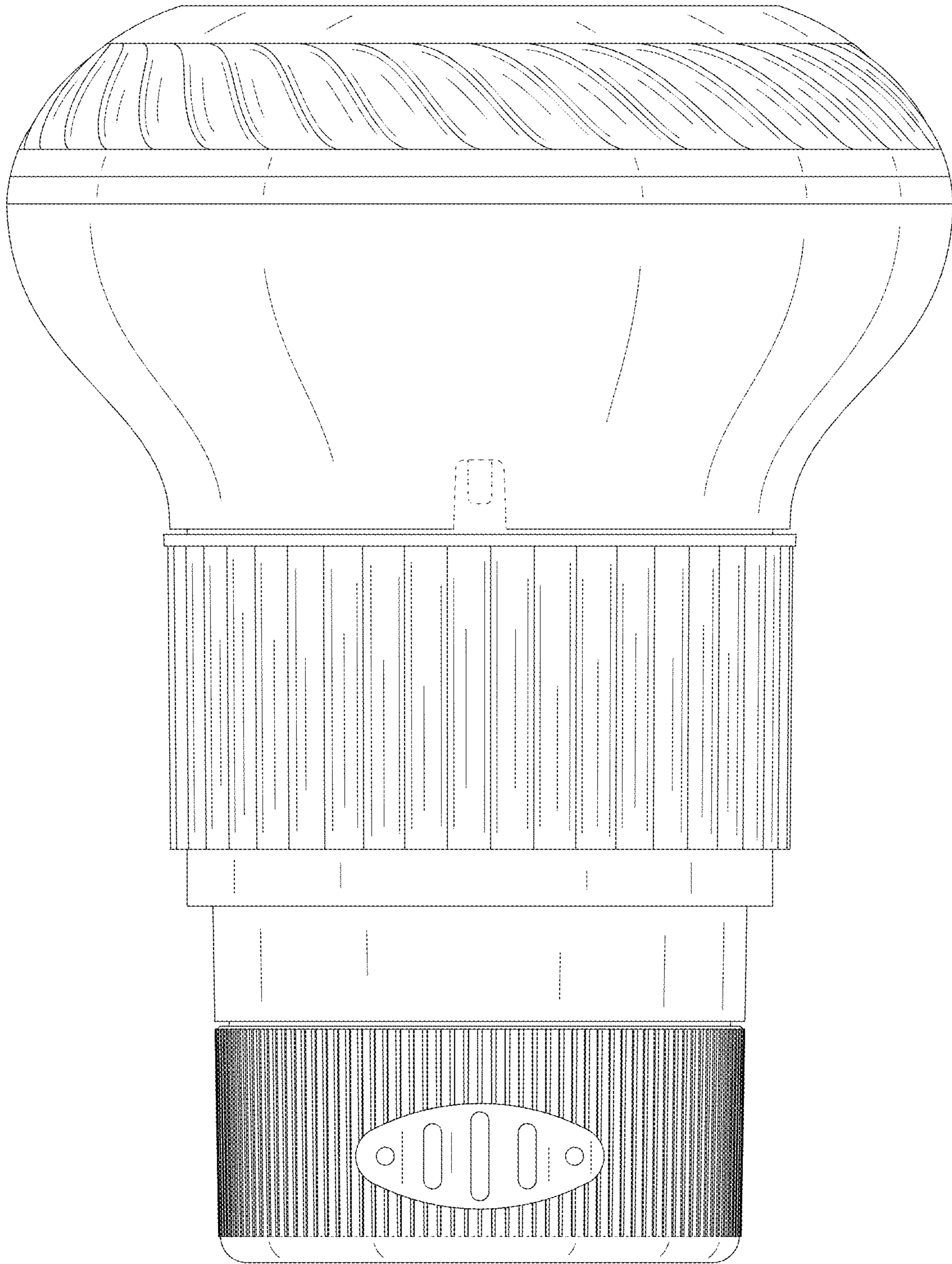


FIG. 4



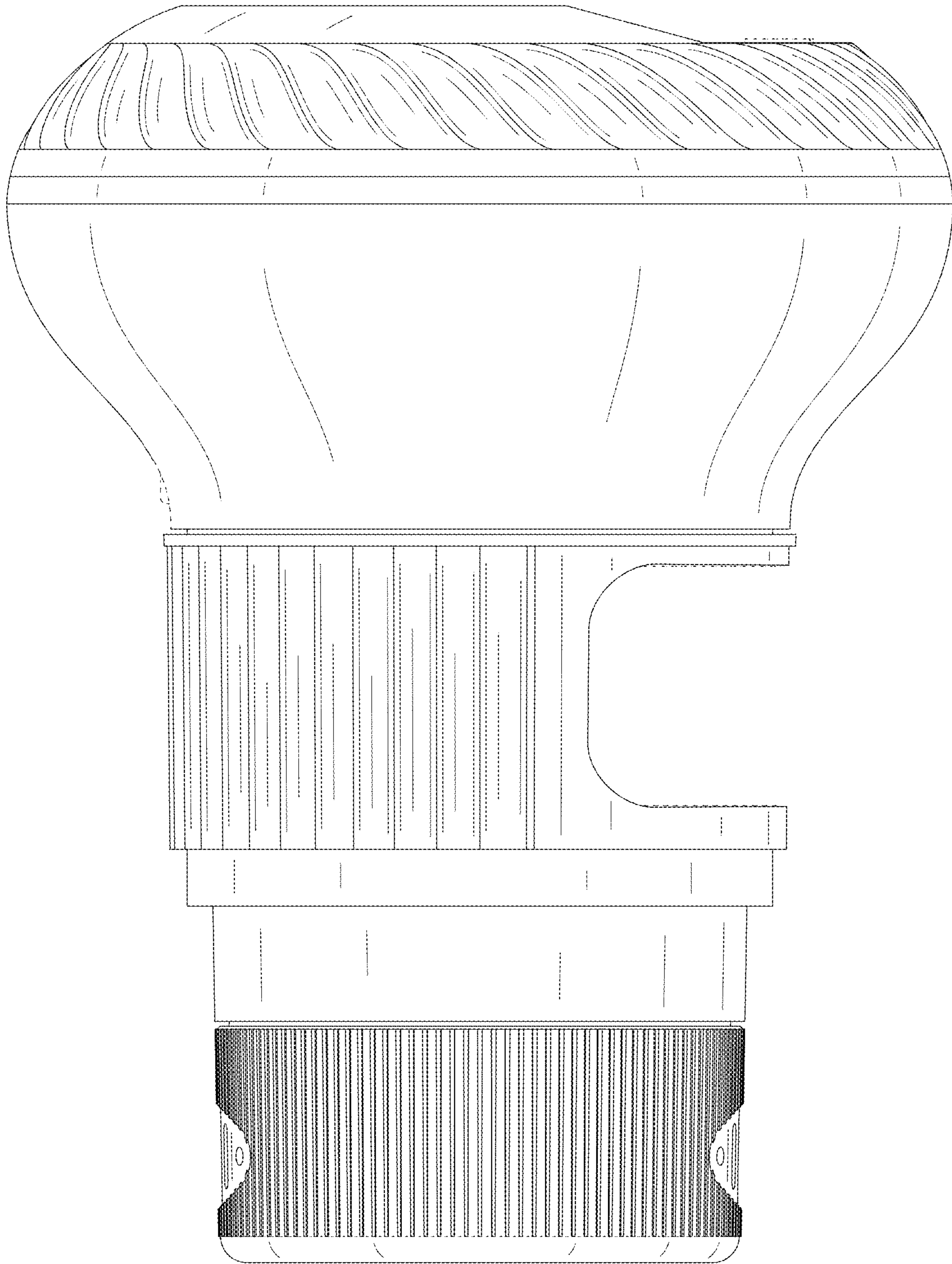


FIG. 5

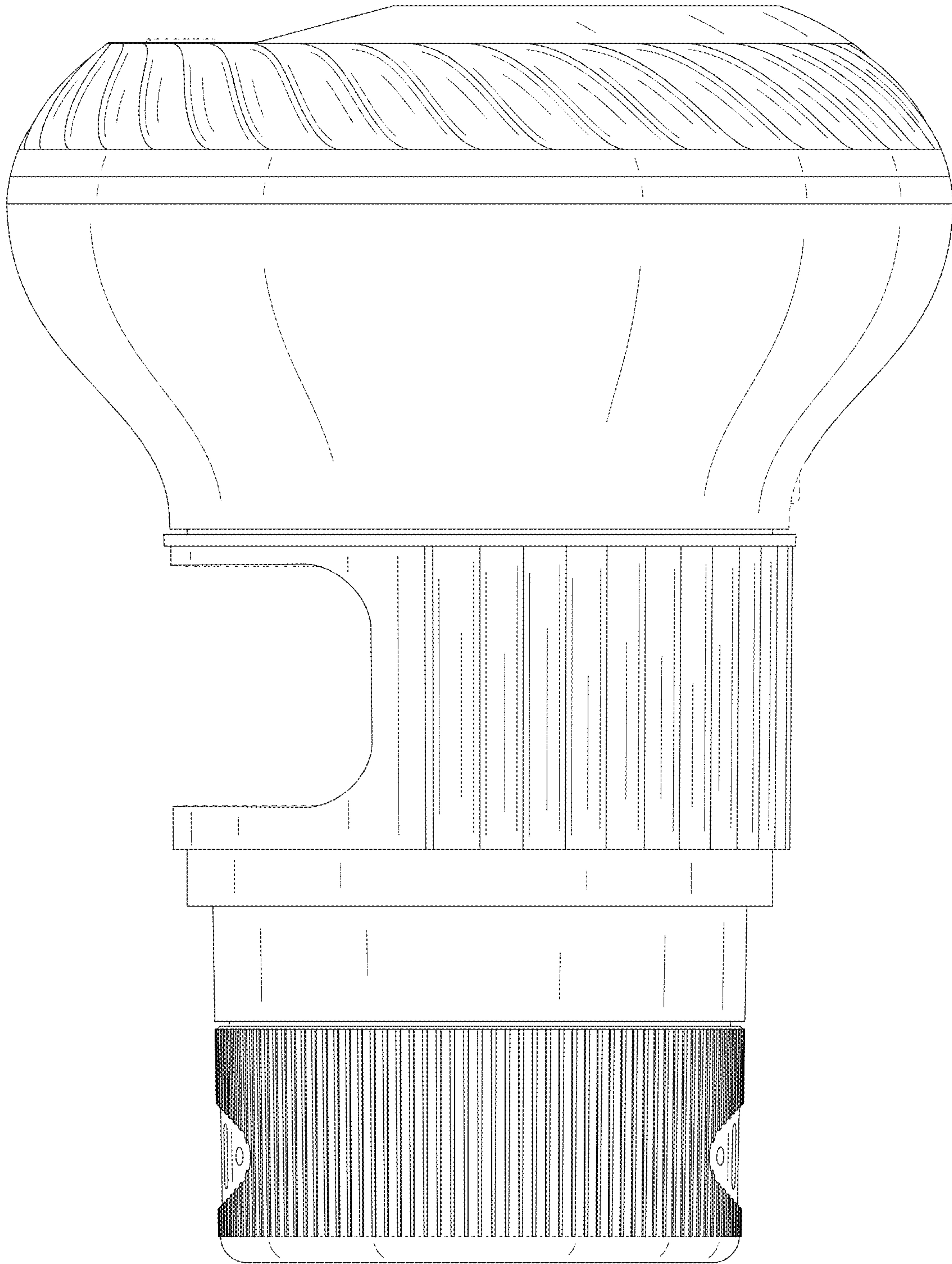


FIG. 6

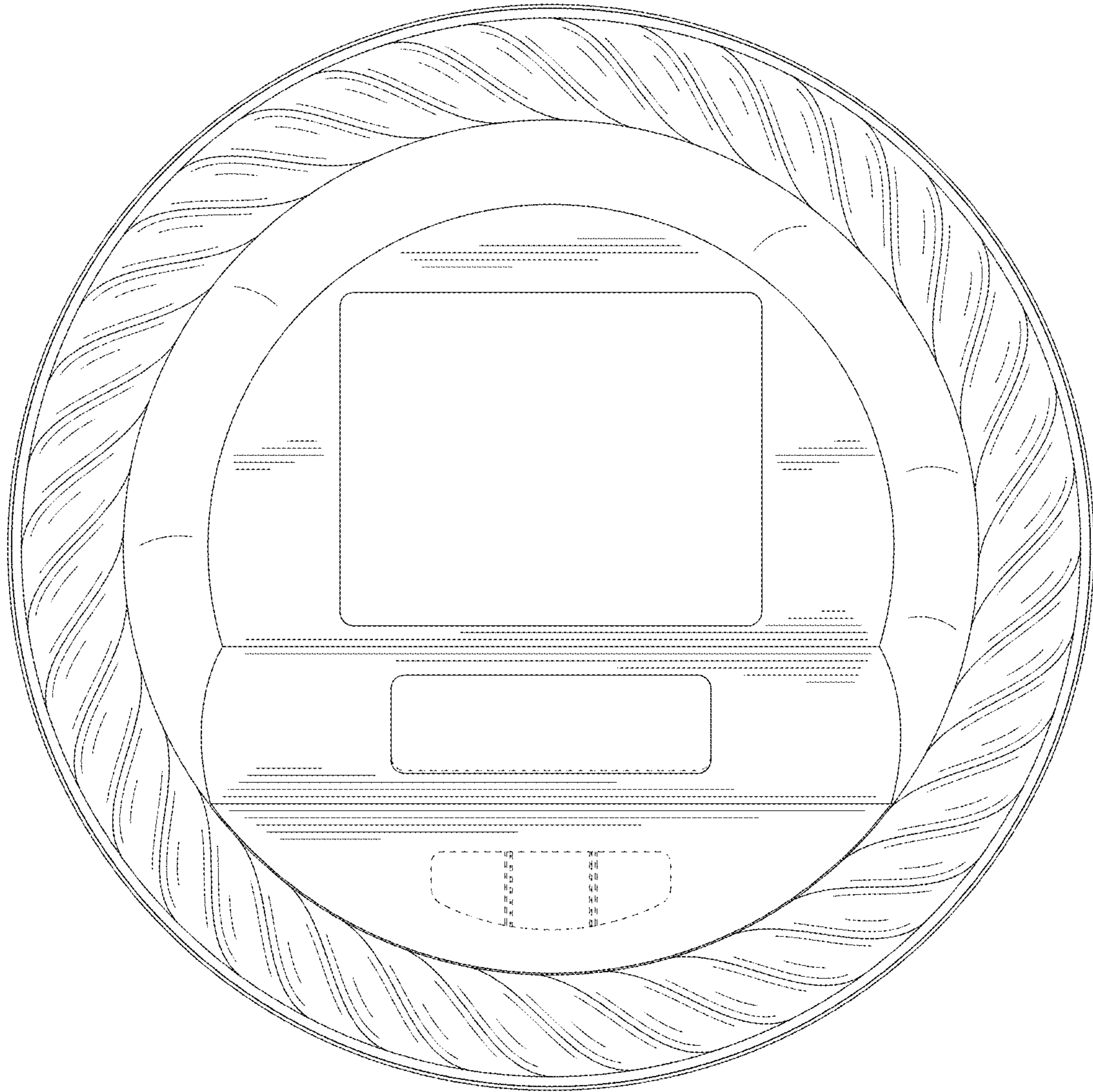


FIG. 7



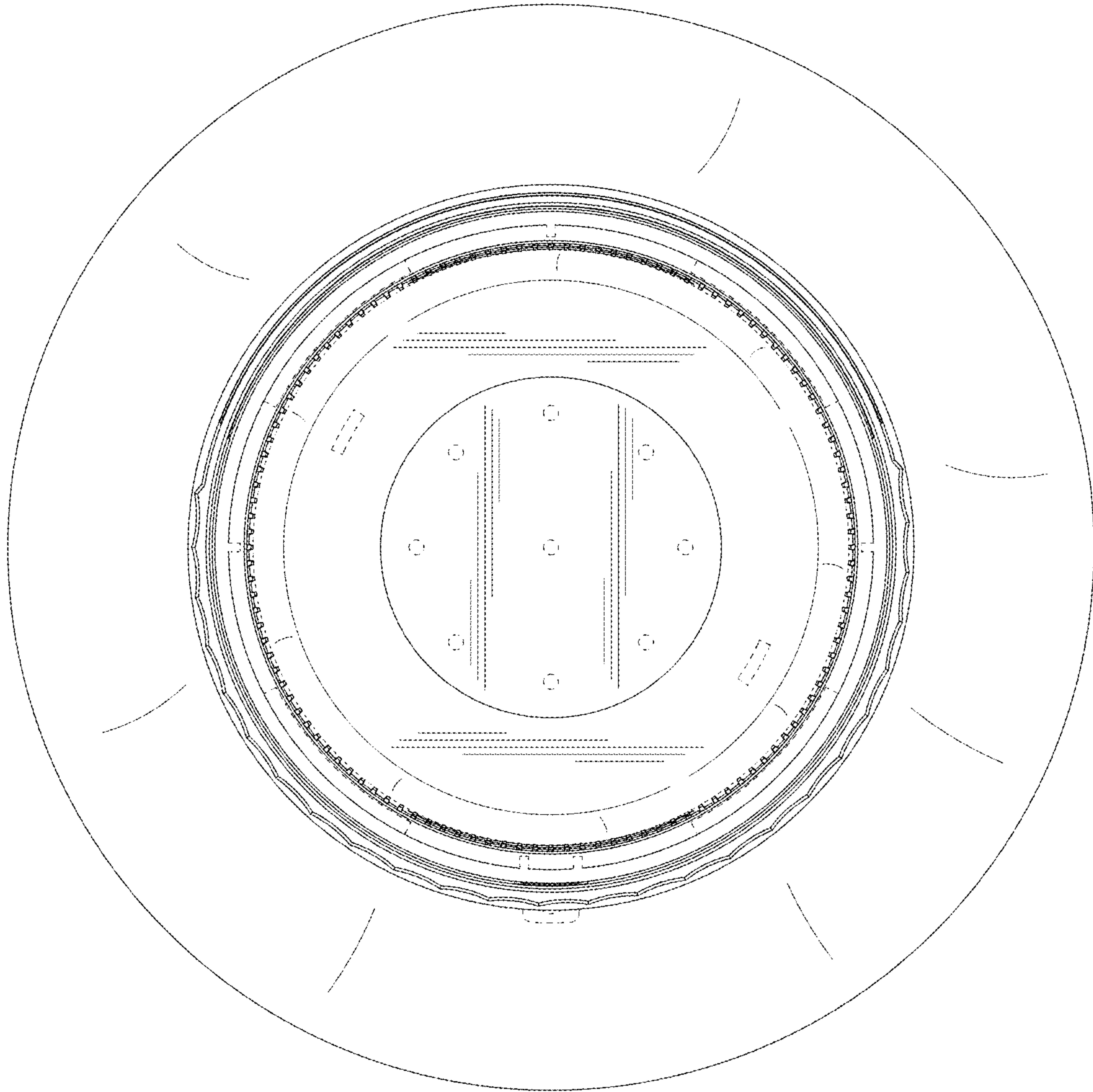


FIG. 8

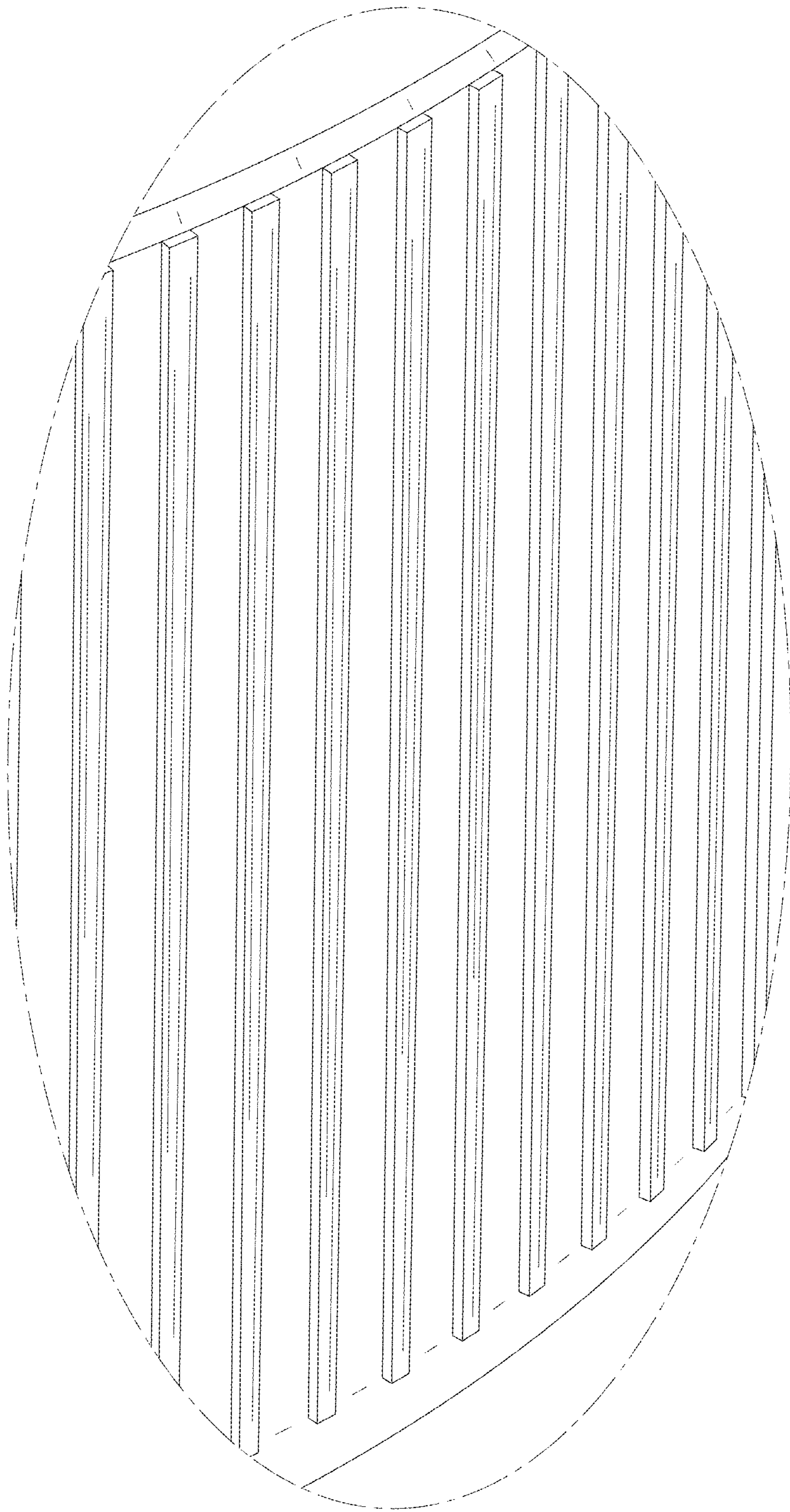


FIG. 9